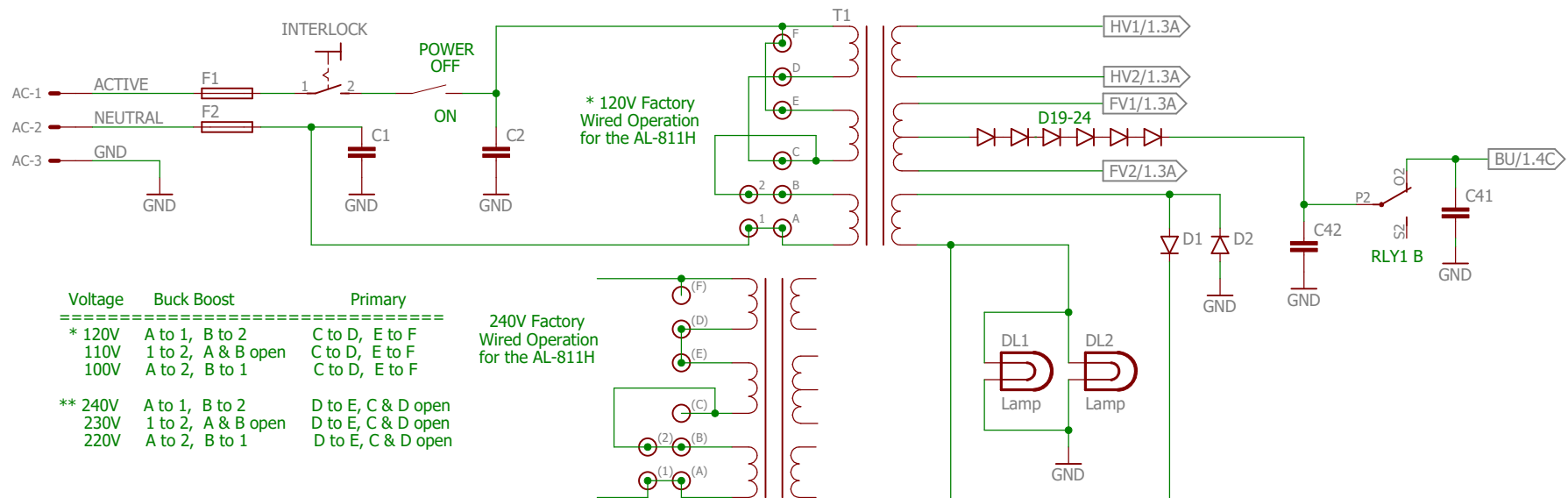
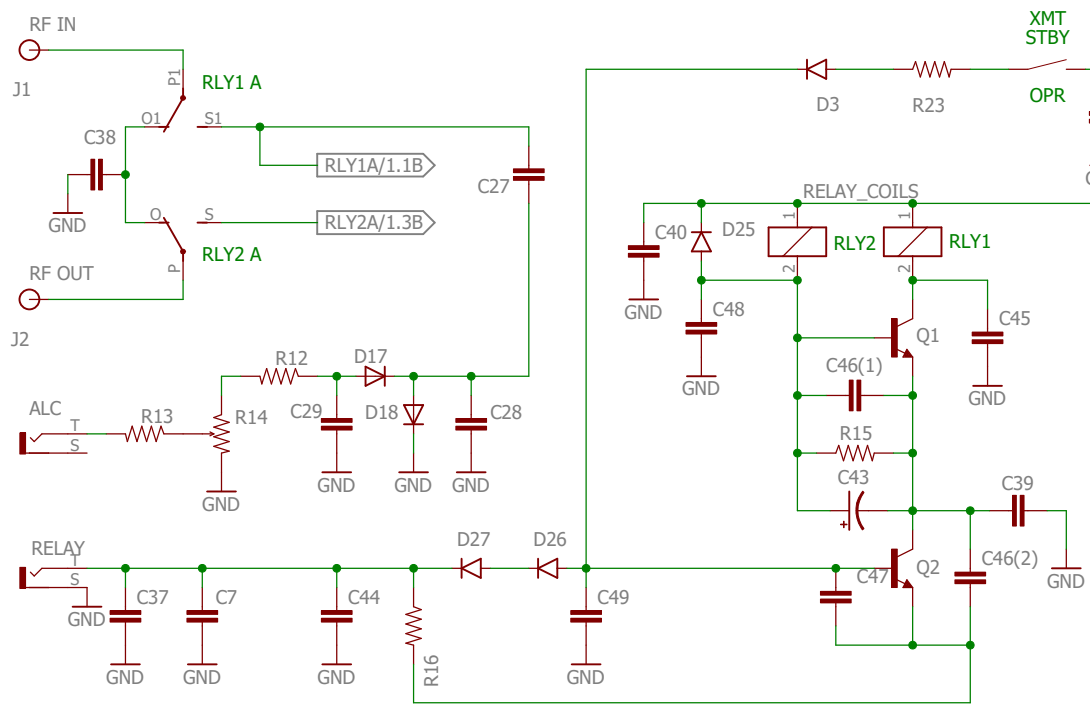


S	Band	C3 (pF)	L1	C4 (pF)
1	160	100	28.75T	1300
2	80	100	23.75T	500
3	40	750	13.75T	500 / 120
4	20/30	330	9.75T	270
5	15/17	120	6.75T	150
6	10/12	180	4.75T	100



Voltage	Buck Boost	Primary
* 120V	A to 1, B to 2	C to D, E to F
110V	1 to 2, A & B open	C to D, E to F
100V	A to 2, B to 1	C to D, E to F
** 240V	A to 1, B to 2	D to E, C & D open
230V	1 to 2, A & B open	D to E, C & D open
220V	A to 2, B to 1	D to E, C & D open

240V Factory
Wired Operation
for the AL-811H



	AL-811H	AL-811HX/HY
160 meters	1.8 - 2.0 MHz	160 meters 1.8 - 2.0 MHz
80 meters	3.5 - 4.0 MHz	80 meters 3.5 - 4.0 MHz
40 meters	7.0 - 7.3 MHz	40 meters 7.0 - 7.3 MHz
30 meters	10.1 - 10.15 MHz	30 meters 10.1 - 10.15 MHz
20 meters	14.0 - 14.35 MHz	20 meters 14.0 - 14.35 MHz
17 meters	18.1 - 18.20 MHz	17/15 meters 18.1 - 21.45 MHz
15 meters	21.0 - 21.45 MHz	12/10 meters 24.9 - 29.70 MHz