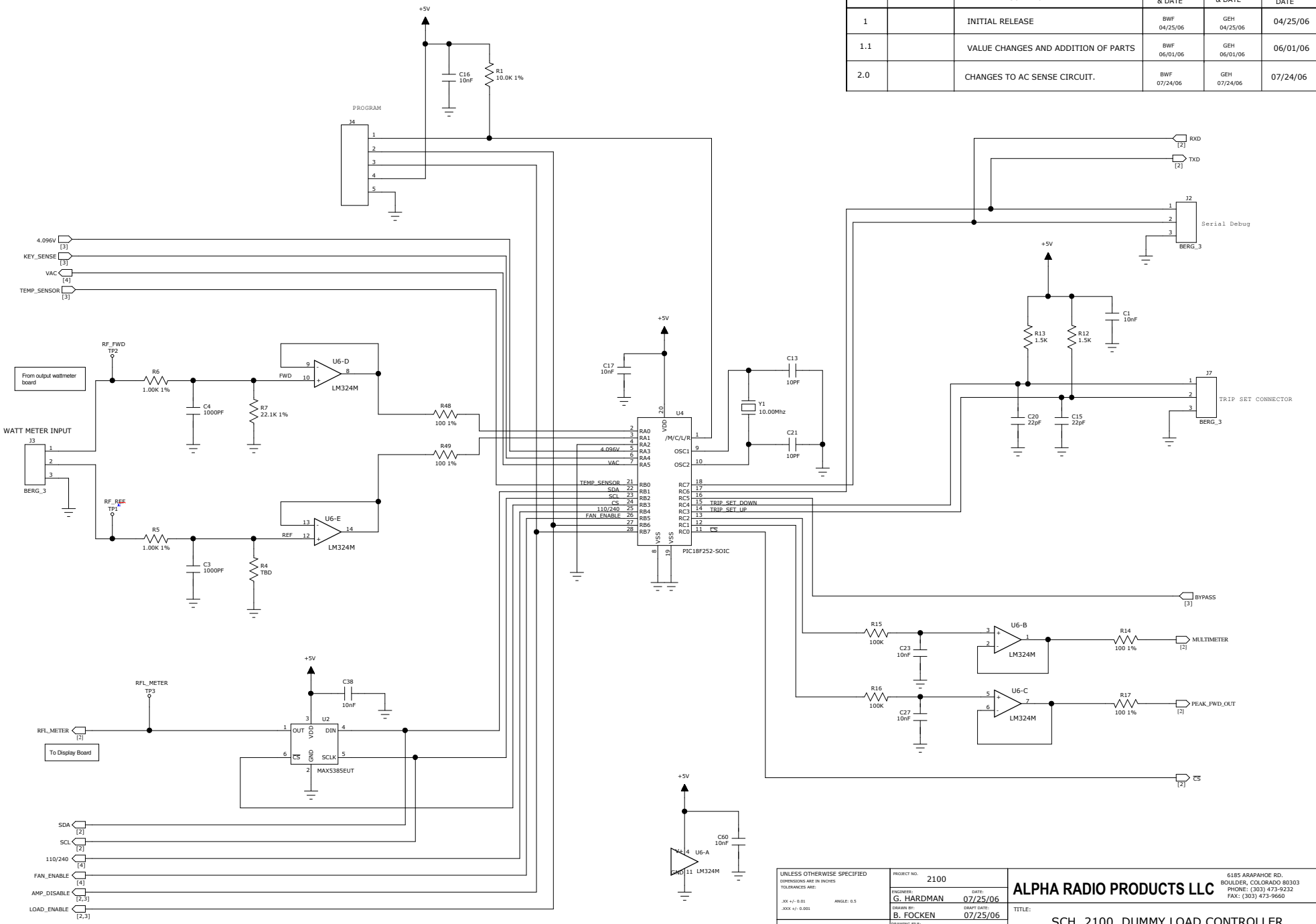


REVISION HISTORY					
REV	ECO NO.	DESCRIPTION	CHANGED BY & DATE	CHECKED BY & DATE	EFFECTIVITY DATE
1		INITIAL RELEASE	BWF 04/25/06	GEH 04/25/06	04/25/06
1.1		VALUE CHANGES AND ADDITION OF PARTS	BWF 06/01/06	GEH 06/01/06	06/01/06
2.0		CHANGES TO AC SENSE CIRCUIT.	BWF 07/24/06	GEH 07/24/06	07/24/06



A

D

C

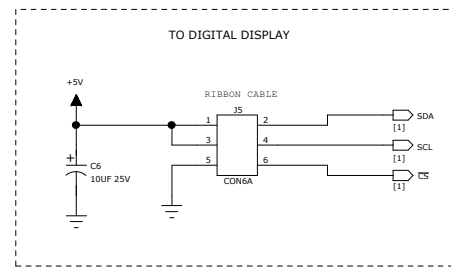
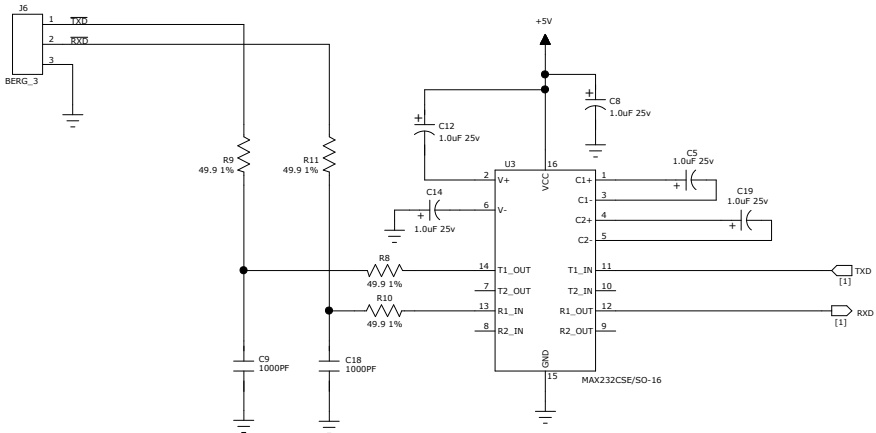
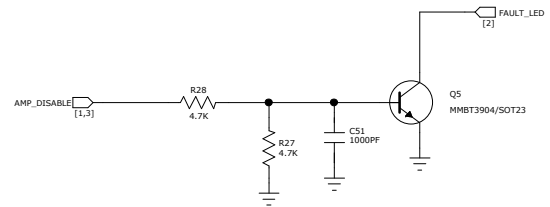
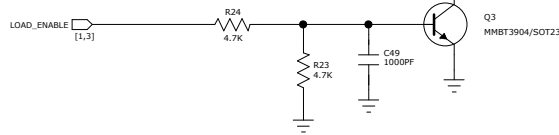
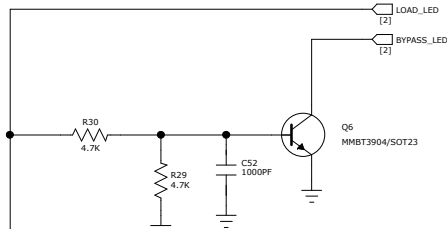
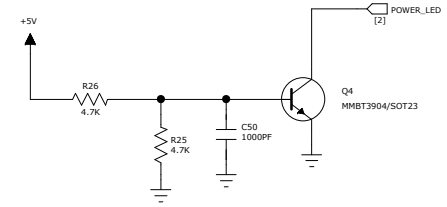
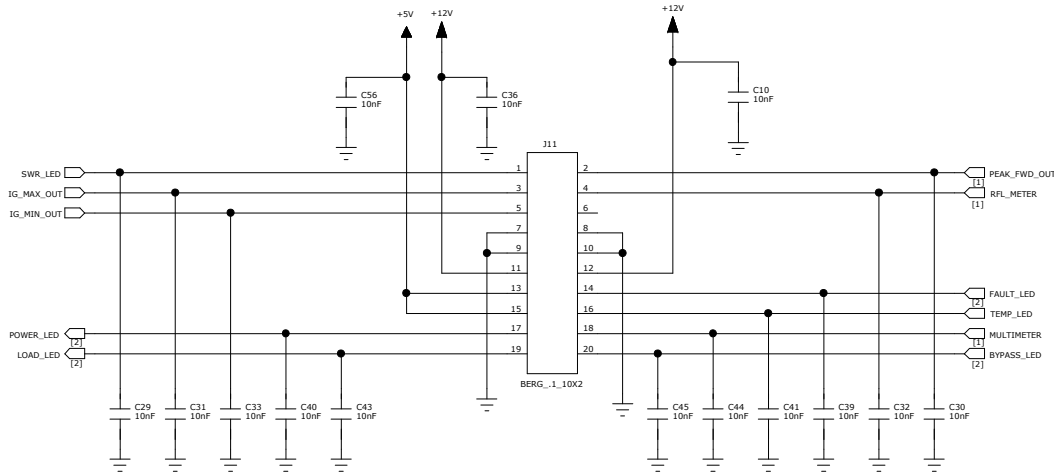
B

A

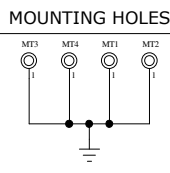
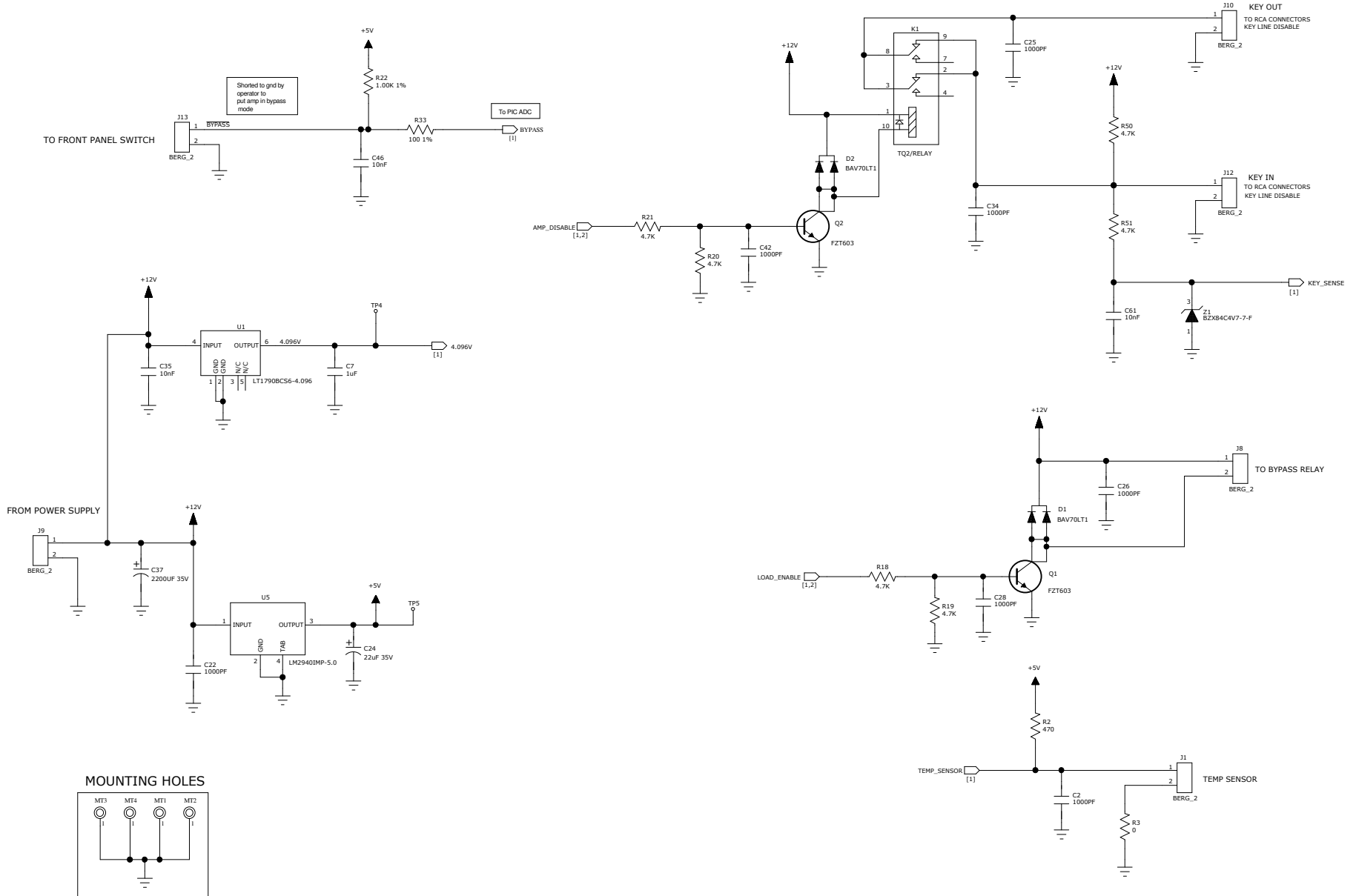
UNLESS OTHERWISE SPECIFIED DIMENSIONS ARE IN INCHES TOLERANCES ARE: XX +/- 0.01 ANGLE: 0.5 (XX = 1/16, 1/8, 3/16, 1/2, 3/4, 1)		PROJECT NO. 2100 ENGINEER: G. HARDMAN DRAWN BY: B. FOCKEN	DATE: 07/25/06 DRAWN DATE: 07/25/06	6185 ARAPAHOE RD. BOULDER, COLORADO 80303 PHONE: (303) 473-9232 FAX: (303) 473-9660
ALPHA RADIO PRODUCTS LLC TITLE: SCH, 2100, DUMMY LOAD CONTROLLER				
PROPRIETARY NOTICE: THIS DOCUMENT AND DATA DISCLOSED HEREIN AND HEREWITHIN IS NOT TO BE REPRODUCED, COPIED, OR DISCLOSED IN WHOLE OR ANY PART TO ANYONE WITHOUT THE PERMISSION OF ALPHA RADIO PRODUCTS LLC.		DRAWING FILE: BCX-X424_REV_2.1_SCH	SIZE: C DRAWING #: BCX-X424	REV: 2.1 SHEET 1 OF 4

COMPONENT TYPE = ELECTRICAL
 CATEGORY = CUSTOM
 DESIGNATION = NONE

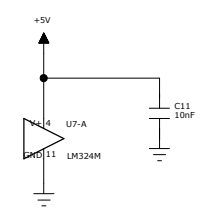
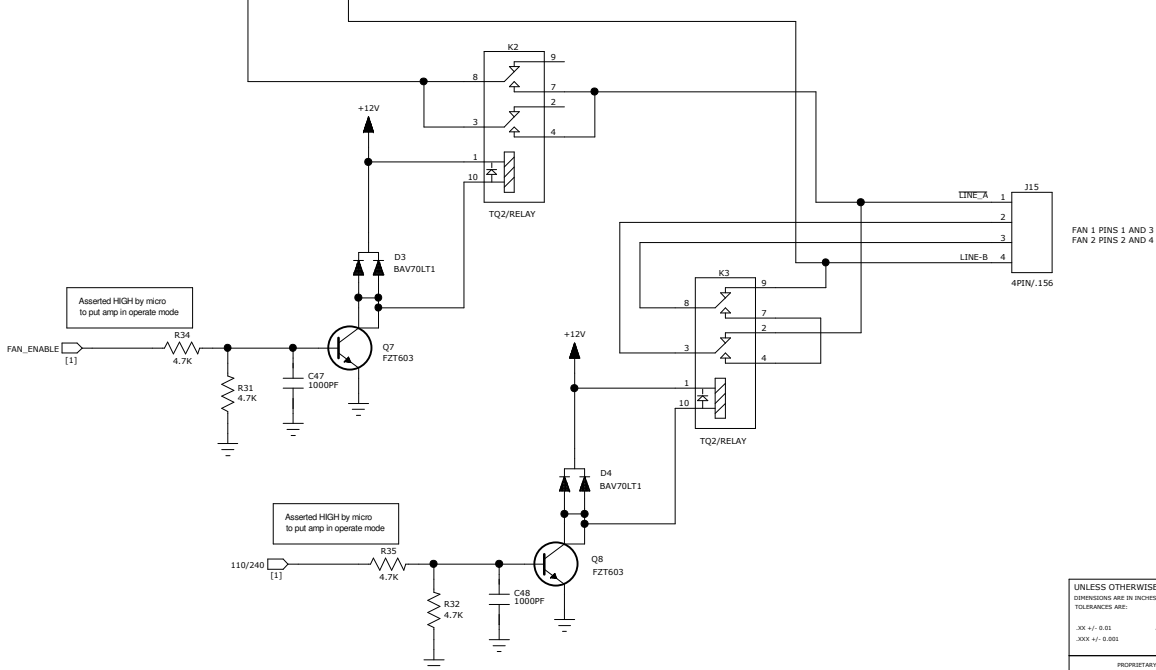
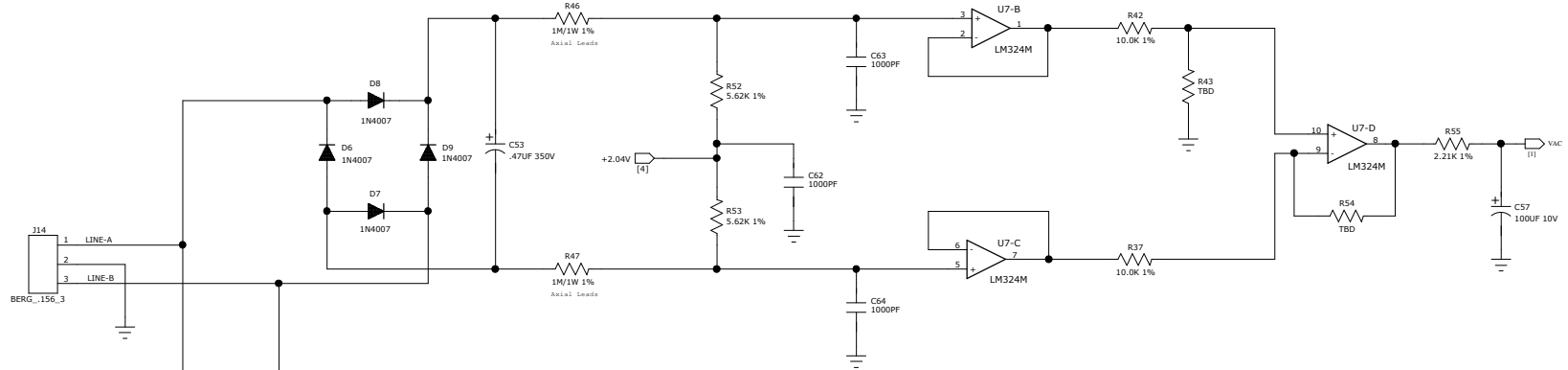
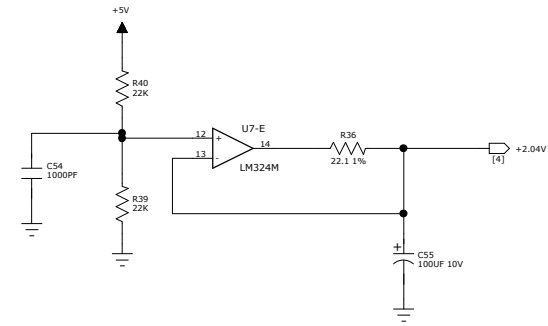
TO DISPLAY PANEL



UNLESS OTHERWISE SPECIFIED DIMENSIONS ARE IN INCHES TOLERANCES ARE: .XX +/- 0.01 .XXX +/- 0.005	PROJECT NO. 2100	ALPHA RADIO PRODUCTS LLC 6185 ARAPAHOE RD. BOULDER, COLORADO 80303 PHONE: (303) 473-9232 FAX: (303) 473-9660
	ENGINEER C. HARDMAN DATE: 07/25/06	
DESIGNED BY B. FOCKEN DATE: 07/25/06	TITLE: SCH, 2100, DUMMY LOAD CONTROLLER	SIZE C
PROPRIETARY NOTICE: THIS DOCUMENT AND DATA DISCLOSED HEREIN AND HEREWITH IS NOT TO BE REPRODUCED, COPIED, OR DISCLOSED IN WHOLE OR ANY PART TO ANYONE WITHOUT THE PERMISSION OF ALPHA RADIO PRODUCTS LLC.	DRAWING FILE: BCX-X424_REV_2.1_SCH	DRAWING # BCX-X424
COMPONENT TYPE = ELECTRICAL CATEGORICAL = CUSTOM DESIGNATION = NONE	PAGE POWERBLOCK DRAWING	SCALE
		REV. 2.1
		SHEET 2 OF 4



UNLESS OTHERWISE SPECIFIED DIMENSIONS ARE IN INCHES TOLERANCES ARE: .XX +/- 0.01 ANGLE: 0.5 (XX +/- 0.001)	PROJECT NO. 2100	6185 ARAPAHOE RD. BOULDER, COLORADO 80303 PHONE: (303) 473-9232 FAX: (303) 473-9660
	ENGINEER: C. HARDMAN DATE: 07/25/06	
DESIGNER: B. FOCKEN DATE: 07/25/06	TITLE: SCH, 2100, DUMMY LOAD CONTROLLER	
PROPRIETARY NOTICE: THIS DOCUMENT AND DATA DISCLOSED HEREIN AND HEREWITH IS NOT TO BE REPRODUCED, COPIED, OR DISCLOSED IN WHOLE OR ANY PART TO ANYONE WITHOUT THE PERMISSION OF ALPHA RADIO PRODUCTS LLC.	DRAWING FILE: BCX-X424_REV_2.1_SCH	SCALE
COMPONENT TYPE = ELECTRICAL CATEGORY = CUSTOM DESIGNATION = NONE	SIZE C DRAWING # BCX-X424	REV. 2.1
PACS POWERLOGIC DRAWING		SHEET 3 OF 4



UNLESS OTHERWISE SPECIFIED DIMENSIONS ARE IN INCHES TOLERANCES ARE: XX +/- 0.01 ANGLE: 0.5 XXX +/- 0.001	PROJECT NO. 2100	6185 ARAPAHOE RD. BOULDER, COLORADO 80303 PHONE: (303) 473-9232 FAX: (303) 473-9660
	ENGINEER: G. HARDMANN DATE: 07/25/06	
DESIGNER: B. FOCKEN DATE: 07/25/06	TITLE: ALPHA RADIO PRODUCTS LLC	
PROPRIETARY NOTICE: THIS DOCUMENT AND DATA DISCLOSED HEREIN AND HEREWITH IS NOT TO BE REPRODUCED, COPIED, OR DISCLOSED IN WHOLE OR ANY PART TO ANYONE WITHOUT THE PERMISSION OF ALPHA RADIO PRODUCTS LLC.	DRAWING FILE: BCX-X424_REV_2_1.SCH	TITLE: SCH, 2100, DUMMY LOAD CONTROLLER
COMPONENT TYPE = ELECTRICAL CATEGORY = CUSTOM DESIGNATION = NONE	SIZE C	DRAWING # BCX-X424
	PAID POWERLOGIC DRAWING	SCALE
		REV. 2.1
		SHEET 4 OF 4

6

5

4

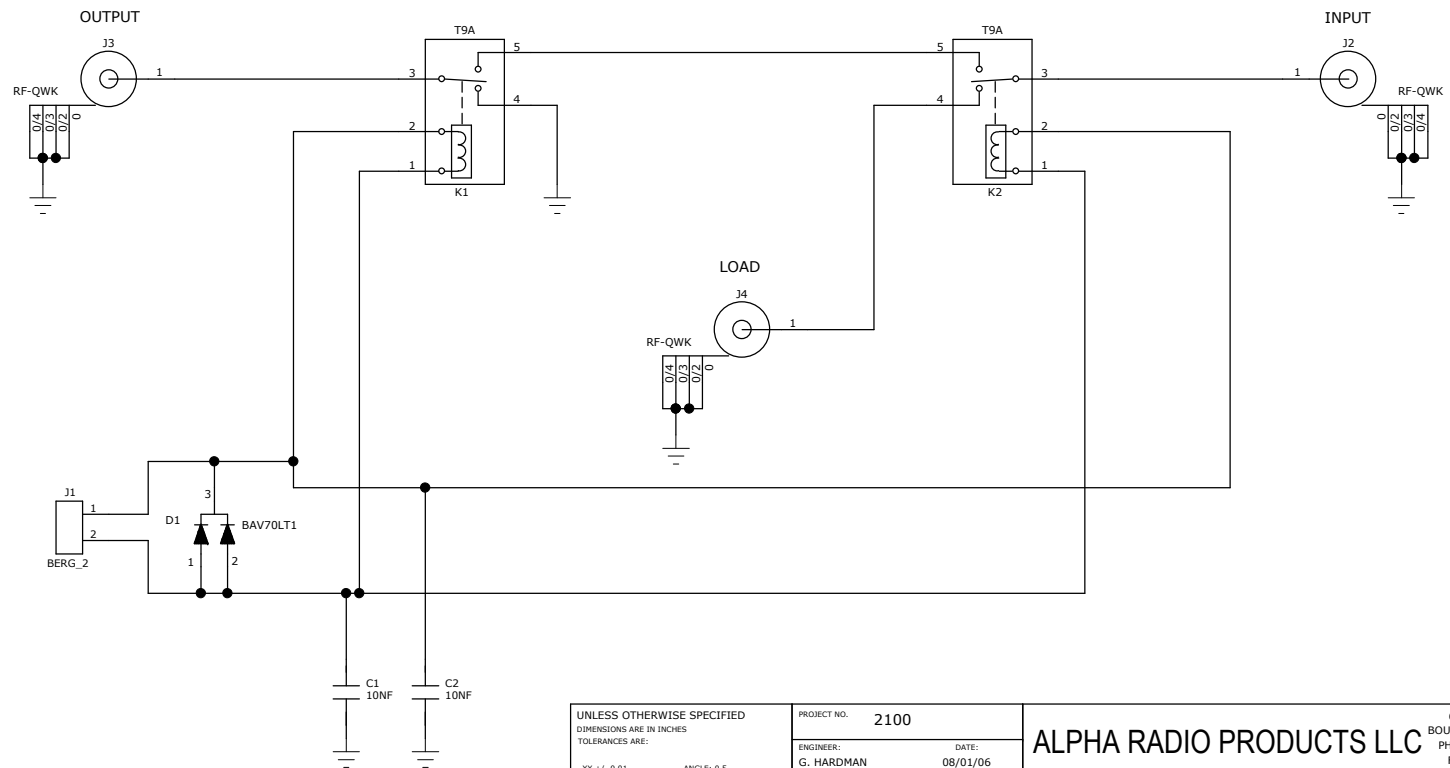
3

2

1

REVISION HISTORY

REV	ECO NO.	DESCRIPTION	CHANGED BY & DATE	CHECKED BY & DATE	EFFECTIVITY DATE
2		INITIAL RELEASE	BWF 08/28/06	GEH 08/28/06	08/28/06



UNLESS OTHERWISE SPECIFIED
DIMENSIONS ARE IN INCHES
TOLERANCES ARE:

.XX +/- 0.01 ANGLE: 0.5
.XXX +/- 0.001

PROPRIETARY NOTICE:
THIS DOCUMENT AND DATA DISCLOSED
HEREIN AND HEREWITH IS NOT
TO BE REPRODUCED, USED,
OR DISCLOSED IN WHOLE OR
ANY PART TO ANYONE WITHOUT
THE PERMISSION OF ALPHA RADIO PRODUCTS LLC.

COMPONENT TYPE = ELECTRICAL
CATEGORY = CUSTOM
DESIGNATION = NONE

PROJECT NO. 2100
ENGINEER: G. HARDMAN DATE: 08/01/06
DRAWN BY: B. FOCKEN DRAFT DATE: 08/01/06

DRAWING FILE:
BCX-X425_REV_2_SCH

PADS POWERLOGIC DRAWING

ALPHA RADIO PRODUCTS LLC
6185 ARAPAHOE RD.
BOULDER, COLORADO 80303
PHONE: (303) 473-9232
FAX: (303) 473-9660

TITLE:
SCH, 2100, DUMMY LOAD RELAY BOARD

SIZE
B

DRAWING #

BCX-X425

REV.
2

SCALE

SHEET 1 OF 1

6

5

4

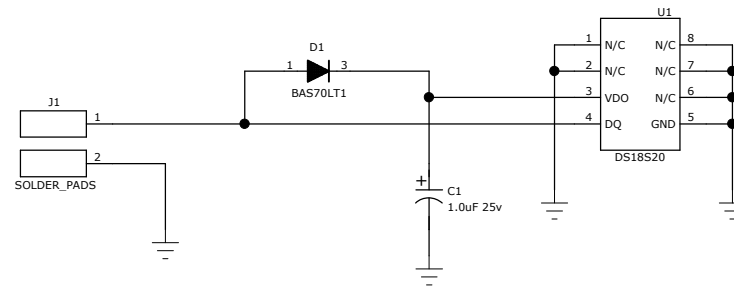
3

2

1

REVISION HISTORY

REV	ECO NO.	DESCRIPTION	CHANGED BY & DATE	CHECKED BY & DATE	EFFECTIVITY DATE
1		INITIAL RELEASE	BWF 06/29/06	GEH 06/29/06	06/29/06



UNLESS OTHERWISE SPECIFIED
DIMENSIONS ARE IN INCHES
TOLERANCES ARE:
.XX +/- 0.01 ANGLE: 0.5
.XXX +/- 0.001

PROJECT NO. 2100
ENGINEER: G. HARDMAN DATE: 06/29/06
DRAWN BY: B. FOCKEN DRAFT DATE: 06/29/06

ALPHA RADIO PRODUCTS LLC
6185 ARAPAHOE RD.
BOULDER, COLORADO 80303
PHONE: (303) 473-9232
FAX: (303) 473-9660

PROPRIETARY NOTICE:
THIS DOCUMENT AND DATA DISCLOSED
HEREIN AND HEREWITH IS NOT
TO BE REPRODUCED, USED,
OR DISCLOSED IN WHOLE OR
ANY PART TO ANYONE WITHOUT
THE PERMISSION OF ALPHA RADIO PRODUCTS LLC.

DRAWING FILE:
BCX-X427_REV_1_SCH

TITLE:
SCH, 2100, TEMP SENSOR

COMPONENT TYPE = ELECTRICAL
CATEGORY = CUSTOM
DESIGNATION = NONE

SIZE B	DRAWING # BCX-X427	REV. 1
-----------	-----------------------	-----------

PADS POWERLOGIC DRAWING

SCALE

SHEET 1 OF 1