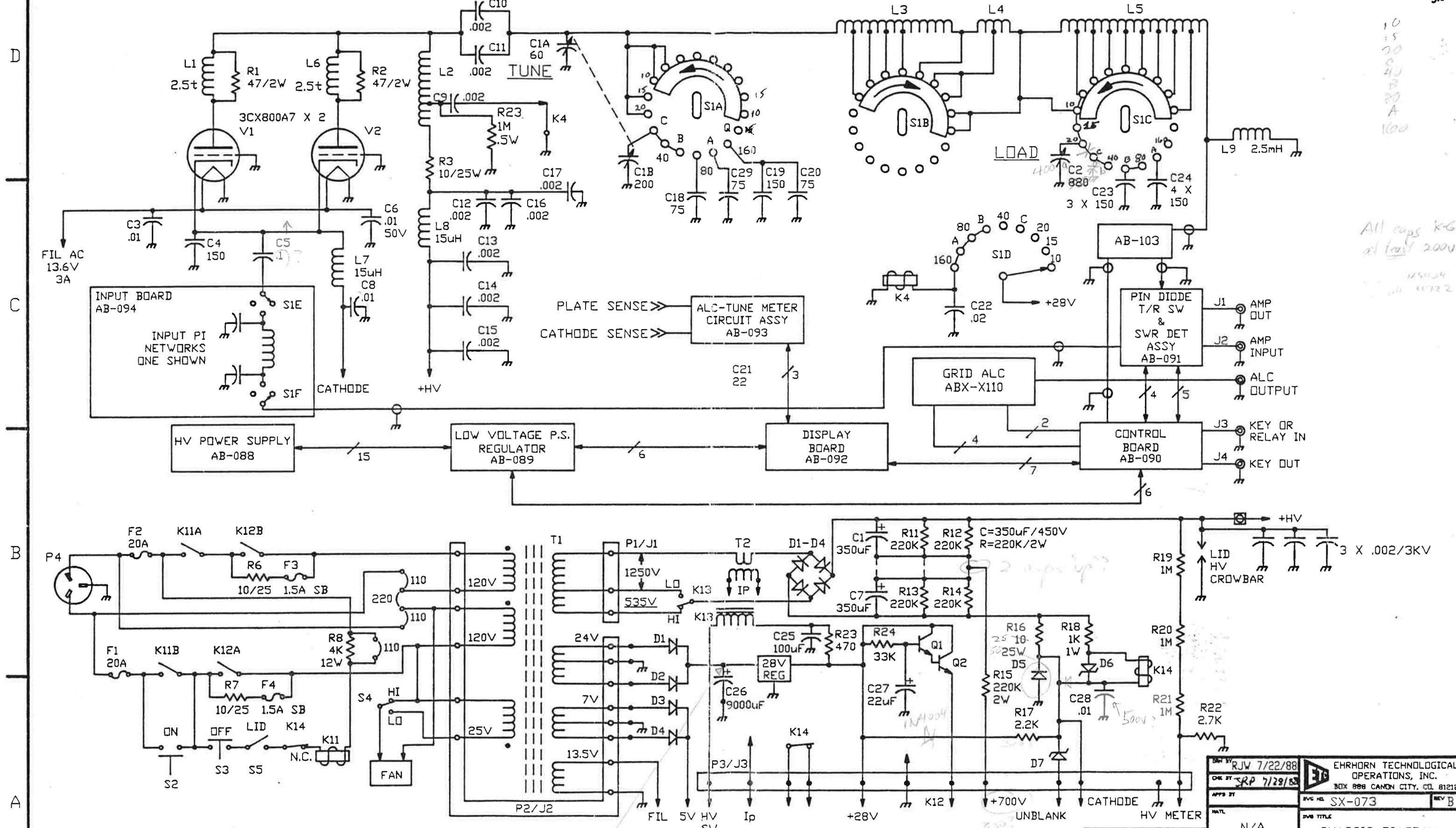


- NOTES:  
 1. ALL SWITCHES SHOWN FULL CLOCKWISE POSITION.  
 2. CAPACITOR VALUES ARE pF IF WHOLE NUMBERS AND uF IF DECIMAL NUMBERS, UDS.

LTR	DESCRIPTION	DATE	APPROVED
A		10/31/87	RBF
B		7/22/88	JRP

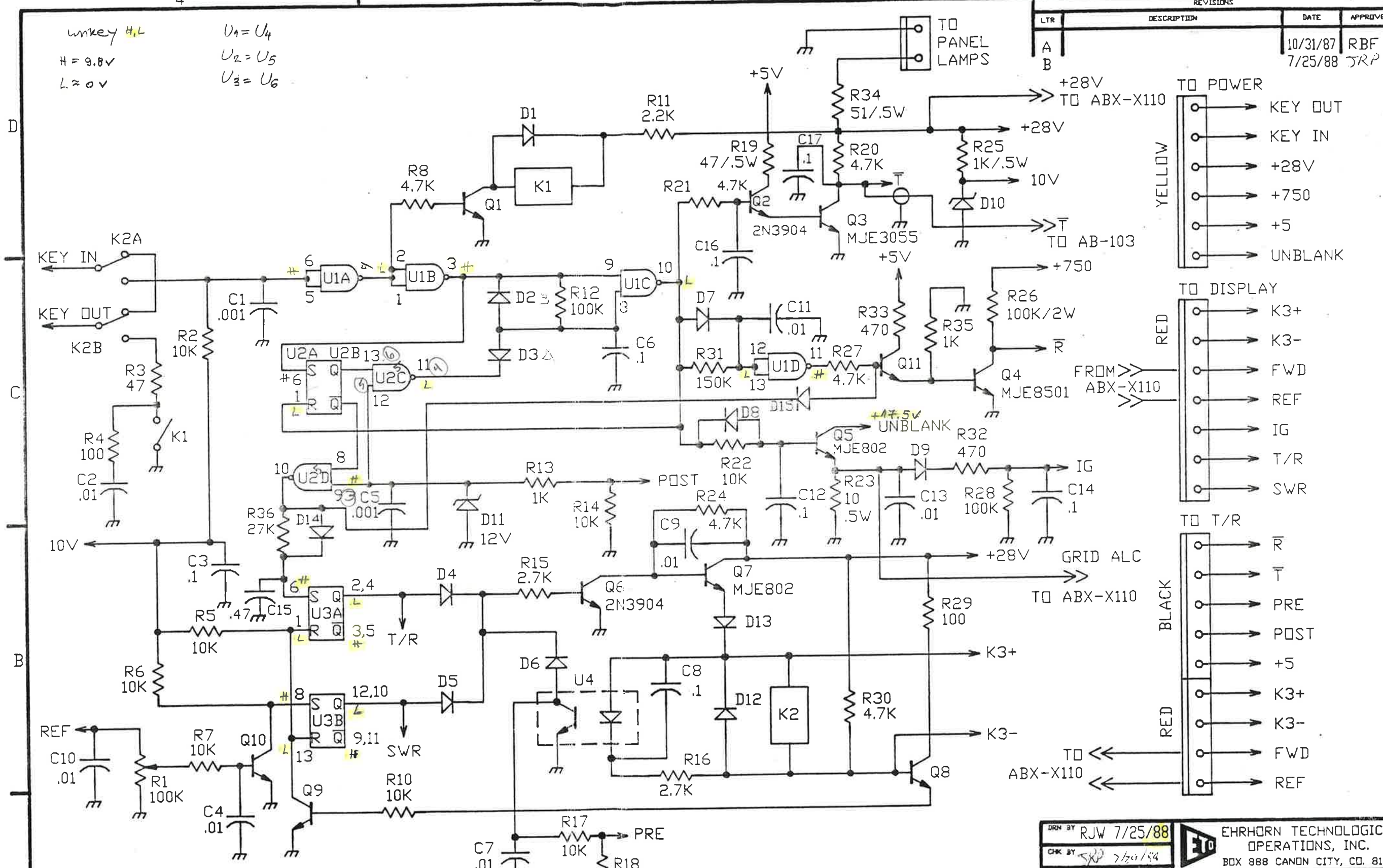


All caps K&G  
 at least 200V  
 10  
 15  
 20  
 30  
 40  
 50  
 60  
 70  
 80  
 90  
 100

new connect. POWER SUPPLY SCHEMATIC FOR REFERENCE ONLY.  
 REFER TO HVPS & LVPS BOARD SCHEMATICS FOR DETAIL.

DO NOT SCALE THIS DRAWING  
 UNLESS OTHERWISE SPECIFIED  
 DIMENSIONS ARE IN INCHES

DESIGNED BY RJW 7/22/88	EHRHORN TECHNOLOGICAL OPERATIONS, INC. BOX 888 CANYON CITY, CO. 81212	REV B
CHK BY JRP 7/28/88		REV B
APP'D BY	REV NO SX-073	REV B
MATL N/A	DWG TITLE CHASSIS DIAGRAM	DWG SIZE D
USER OR N/A	USER OR ∞ 86	DWG SIZE D
SCALE NONE	SHEET NO.	



unkey  $H, L$   
 $H = 9.8V$   
 $L = 0V$   
 $U_1 = U_4$   
 $U_2 = U_5$   
 $U_3 = U_6$

REVISIONS		DATE	APPROVED
LTR	DESCRIPTION		
A		10/31/87	RBF
B		7/25/88	JRP

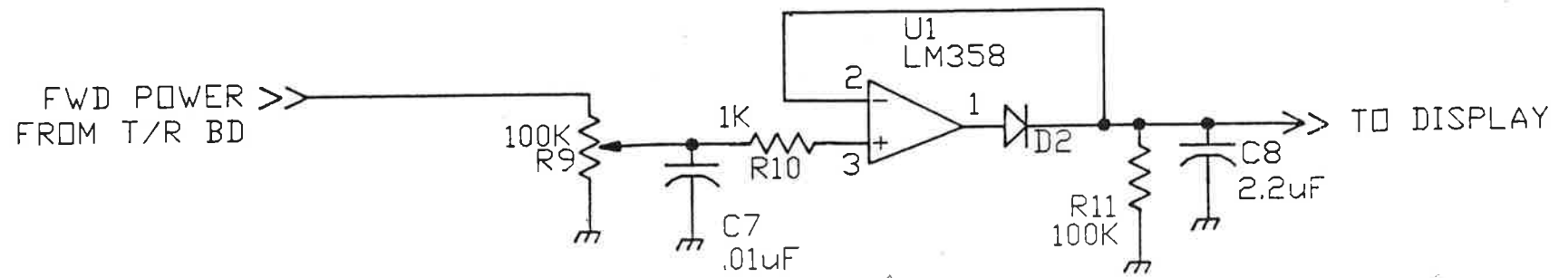
- U1-U3 MC14011
- Q1, Q8-Q11 2N3904
- U4 TIL 154
- D1-D8, D14, D15 1N4148
- D9 1N270
- D10-D11 1N5240
- D12-D13 1N4002

14 → +10V  
 7 → GRD

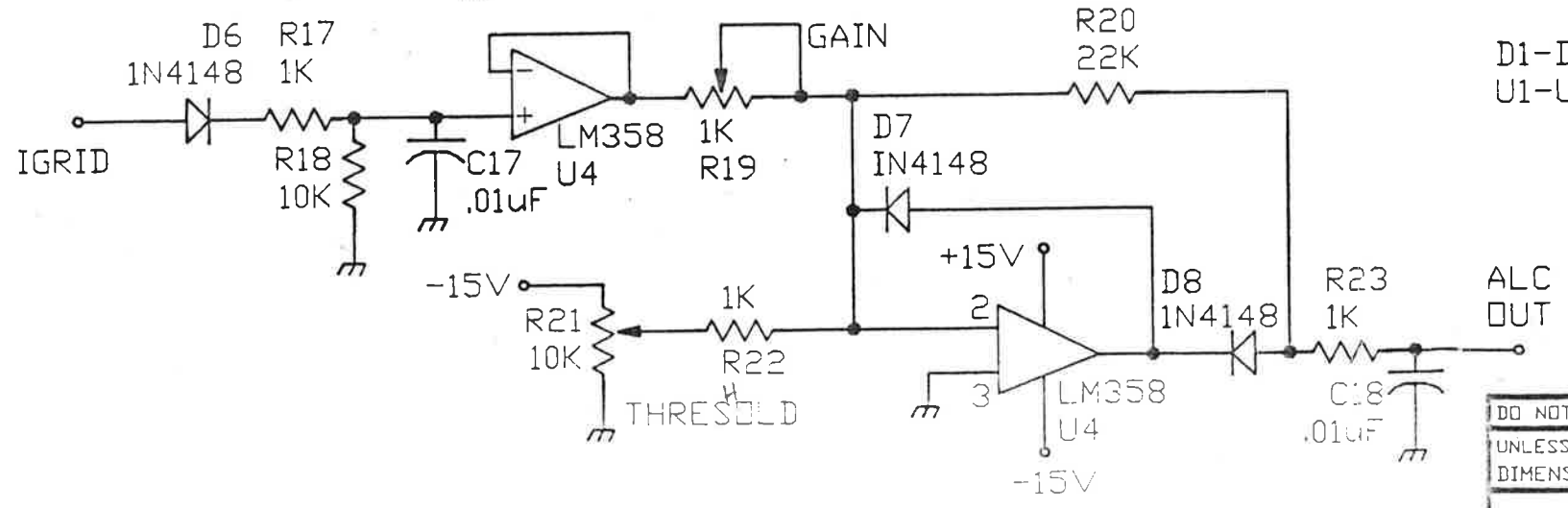
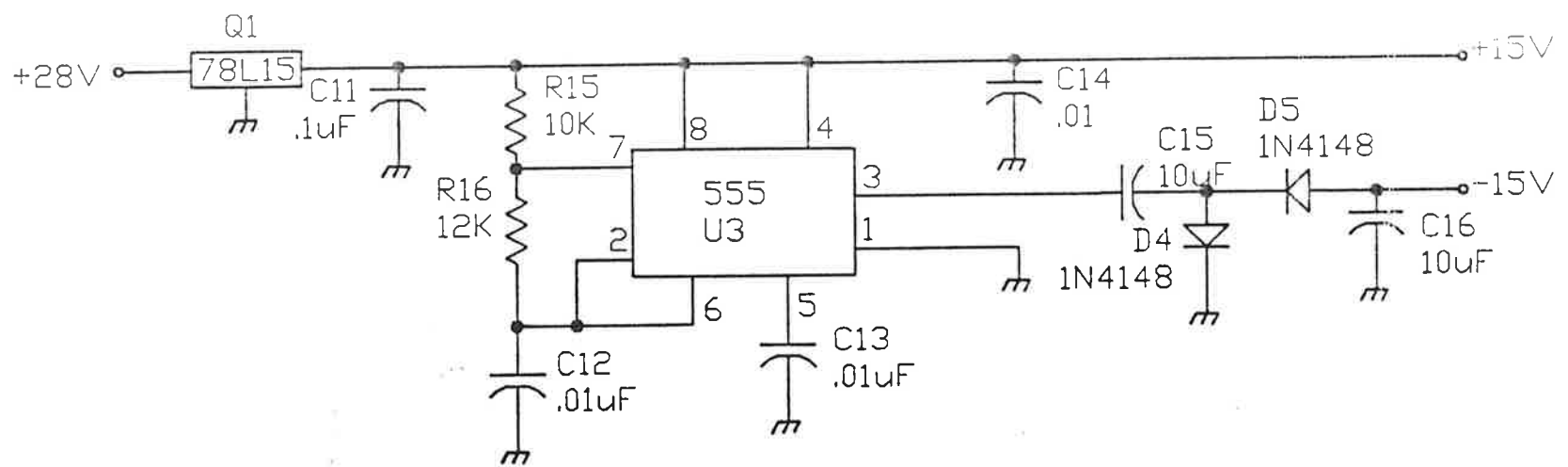
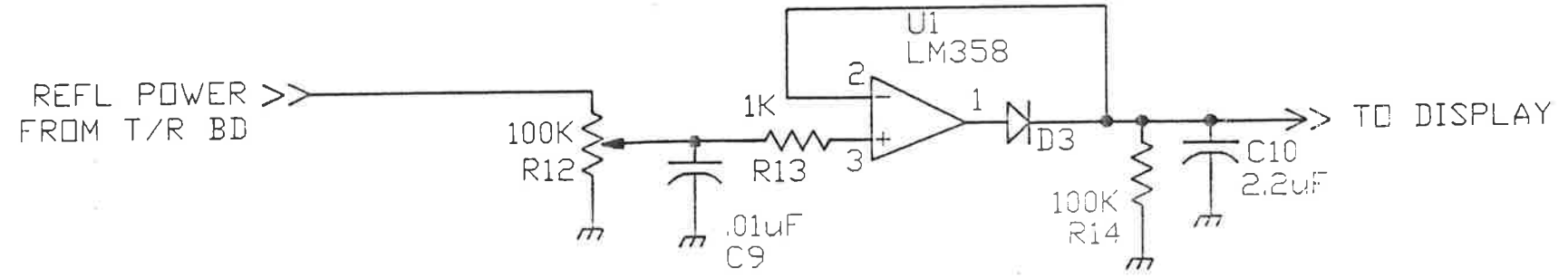
DO NOT SCALE THIS DRAWING  
 UNLESS OTHERWISE SPECIFIED  
 DIMENSIONS ARE IN INCHES  
 TOLERANCES  
 DIAMETER UP TO .750 ±.005  
 .750 TO 1.000 ±.007  
 OVER 1.000 ±.010  
 XX ±.02  
 XXX ±.010  
 FRACTIONS ±1/64  
 ±.2°

DRN BY	RJW 7/25/88	EHRHORN TECHNOLOGICAL OPERATIONS, INC. BOX 888 CANON CITY, CO. 81202
CHK BY	JRP 7/25/88	
APPD BY		DWG NO. SX-072
MATL	N/A	DWG TITLE CONTROL BRD SCHEMATIC
FINISH	N/A	USED ON ∞ 86
		NEXT ASSY AB-090
		CUST. NO. SCALE NONE SHEET NO.

REVISIONS			
LTR	DESCRIPTION	DATE	APPROVED
A		10/31/87	RBF



*↑ pins cannot be correct if same chip*



D1-D8 1N4148  
U1-U2 LM358

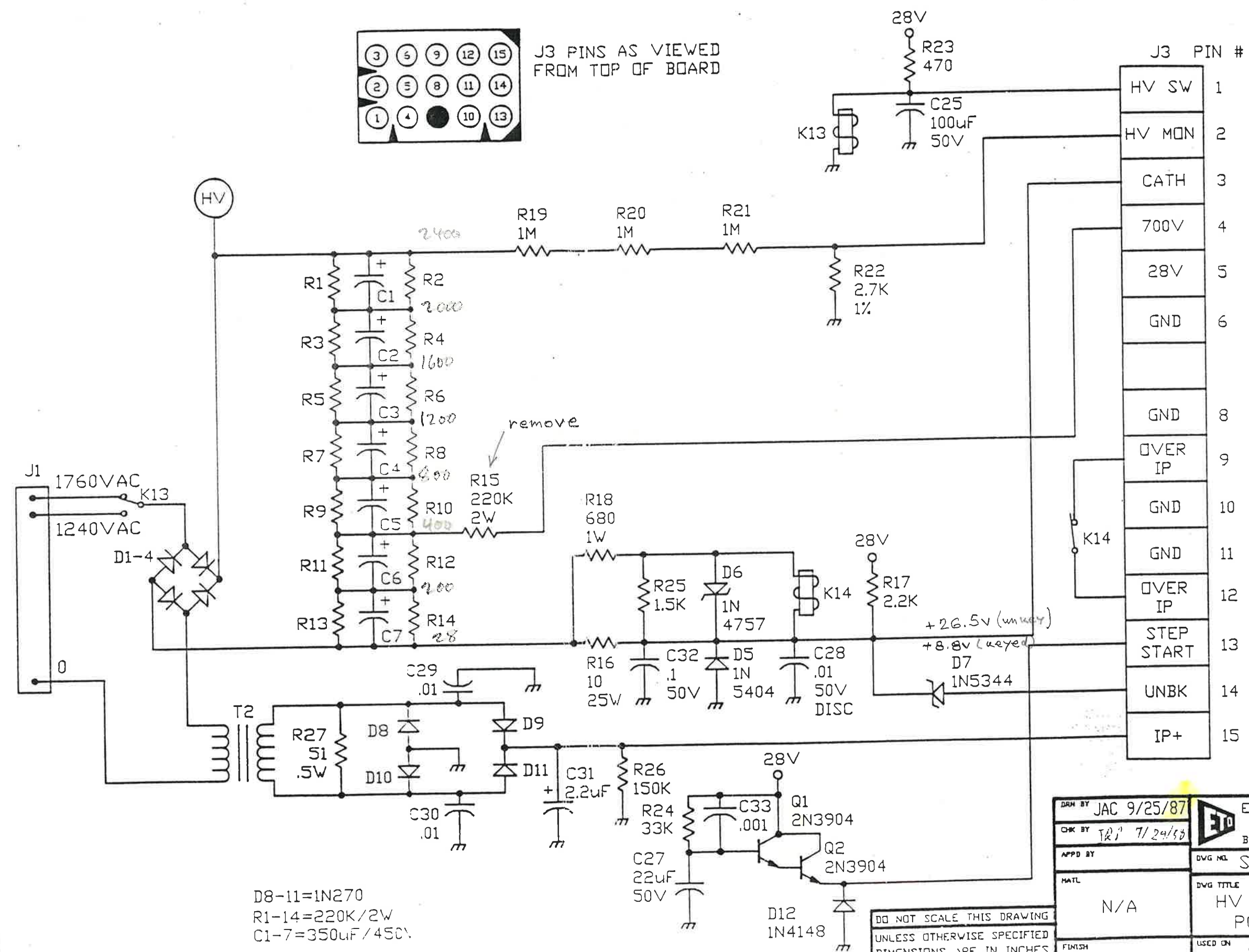
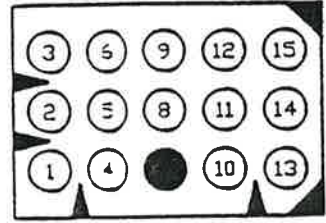
DO NOT SCALE THIS DRAWING  
UNLESS OTHERWISE SPECIFIED  
DIMENSIONS ARE IN INCHES

TOLERANCES	
DIAMETER	XX ±.02
UP TO .750	±.005
.750 TO 1.000	±.007
OVER 1.000	±.010

DRN BY RJW 7/22/88	EHRHORN TECHNOLOGICAL OPERATIONS, INC. BOX 888 CANDON CITY, CO. 81212	
CHK BY <i>[Signature]</i> 7/20/88	DWG NO. SX-074	REV A
APPD BY	DVG TITLE GRID ALC/ RF POWER MON	
MATL N/A	USED ON ∞ 86	DWG SIZE C
FINISH N/A	NEXT ASSY AB-093	CUST NO. SCALE NONE SHEET NO.



D  
C  
B  
A



J3 PIN #

HV SW	1
HV MON	2
CATH	3
700V	4
28V	5
GND	6
GND	8
OVER IP	9
GND	10
GND	11
OVER IP	12
STEP START	13
UNBK	14
IP+	15

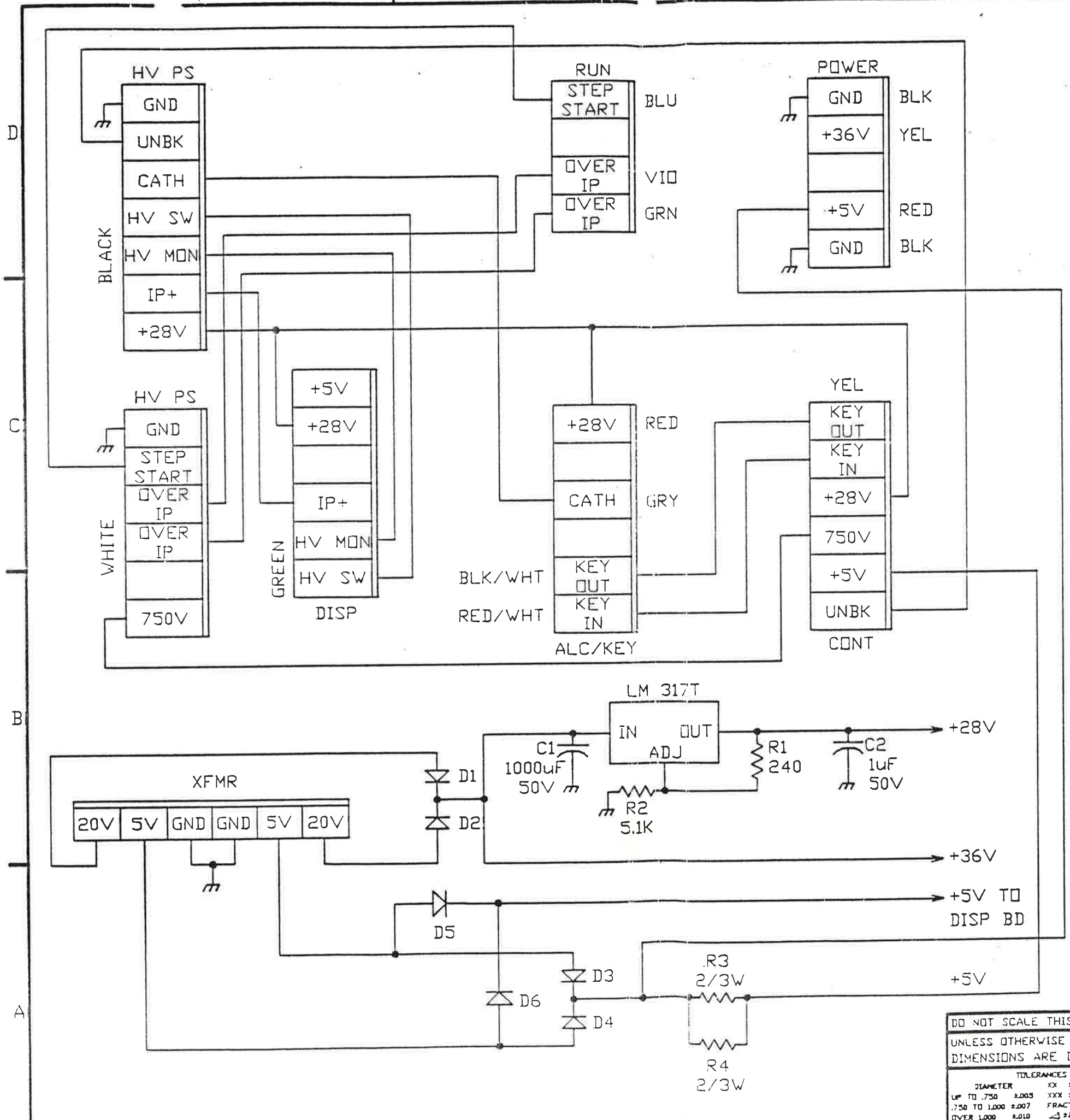
D8-11=1N270  
R1-14=220K/2W  
C1-7=350uF/450V

DO NOT SCALE THIS DRAWING  
UNLESS OTHERWISE SPECIFIED  
DIMENSIONS ARE IN INCHES

TOLERANCES	
DIAMETER	XX ±.02
UP TO .750	±.005 XXX ±.010
.750 TO 1.000	±.007 FRACTIONS ±1/64
OVER 1.000	±.010 ±.125

DRN BY JAC 9/25/87	EHRHORN TECHNOLOGIC OPERATIONS, INC. BOX 888 CANON CITY, CO. 81001
CHK BY TRJ 7/24/87	
APPD BY	DVG NO. SX-083
MATL N/A	DVG TITLE HV POWER SUPPLY PCB SCHEMATIC
FINISH N/A	USED ON 36
	NEXT ASSY
	CUST NO. SCALE NONE SHEET 1/1

REVISIONS			
LTR	DESCRIPTION	DATE	APPROV



PIN FUNCTIONS  
& ORDER AS  
VIEWED FROM TOP  
OF BOARD  
WIRE COLORS AS MARKED

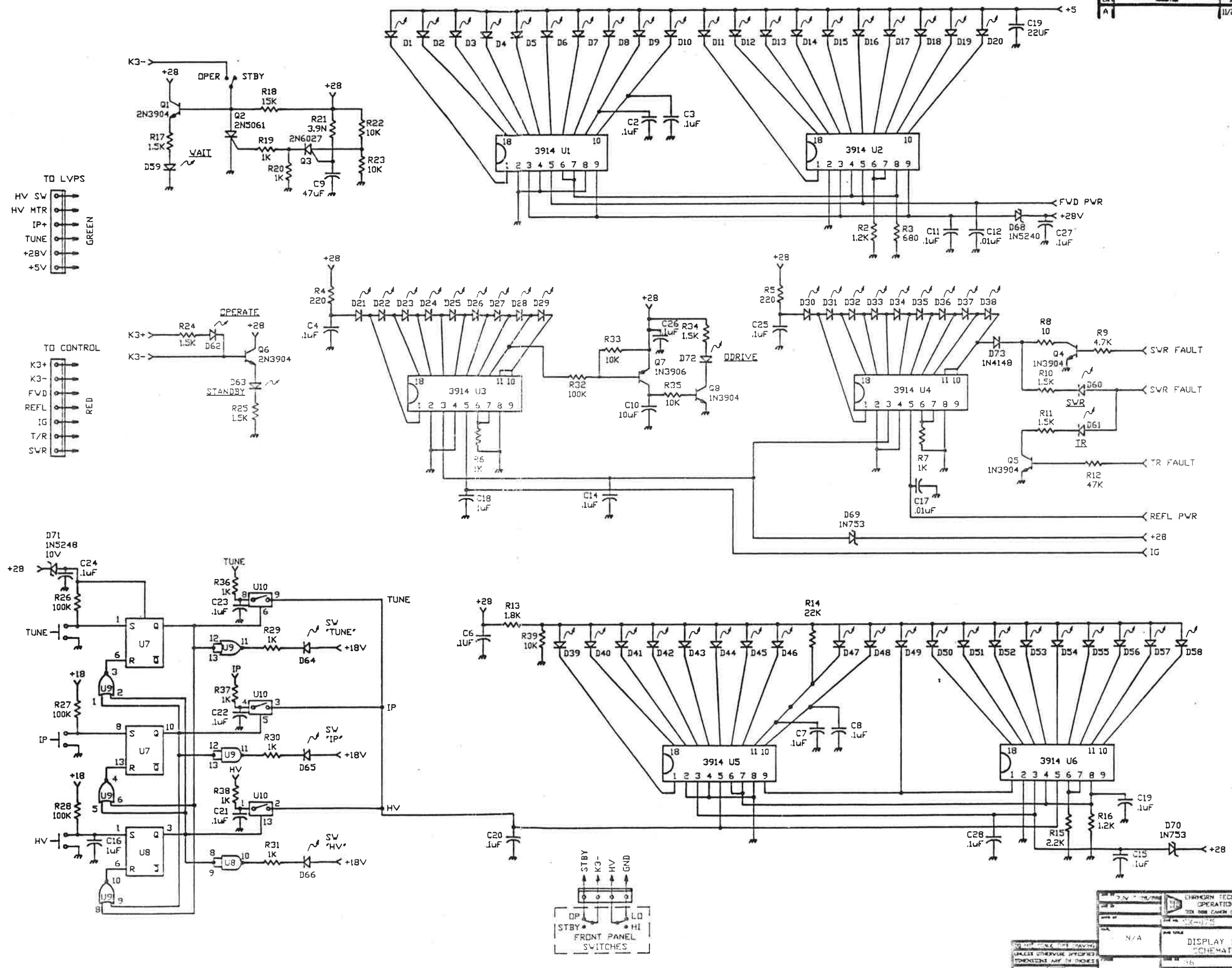
D1-D4 1N5401  
D5&D6 1N4004

DO NOT SCALE THIS DRAWING  
UNLESS OTHERWISE SPECIFIED  
DIMENSIONS ARE IN INCHES

TOLERANCES	
DIAMETER	XX ±.02
UP TO .750	±.005 XXX ±.010
.750 TO 1.000	±.007 FRACTIONS 11/64
OVER 1.000	±.010 ±.02"

DRN BY JKJ 1/22/88	EHRHORN TECHNOLOGICAL OPERATIONS, INC. BOX 888 CANON CITY, CO. 812
CHK BY TRP 7/25/88	
APPD BY	DWG NO. SX-087
MATL N/A	DWG TITLE LOW VOLTAGE P.S. SCHEMATIC
FINISH N/A	USED ON ∞ 36, 87
	NEXT ASSY
	SCALE NONE
	SHEET NO.

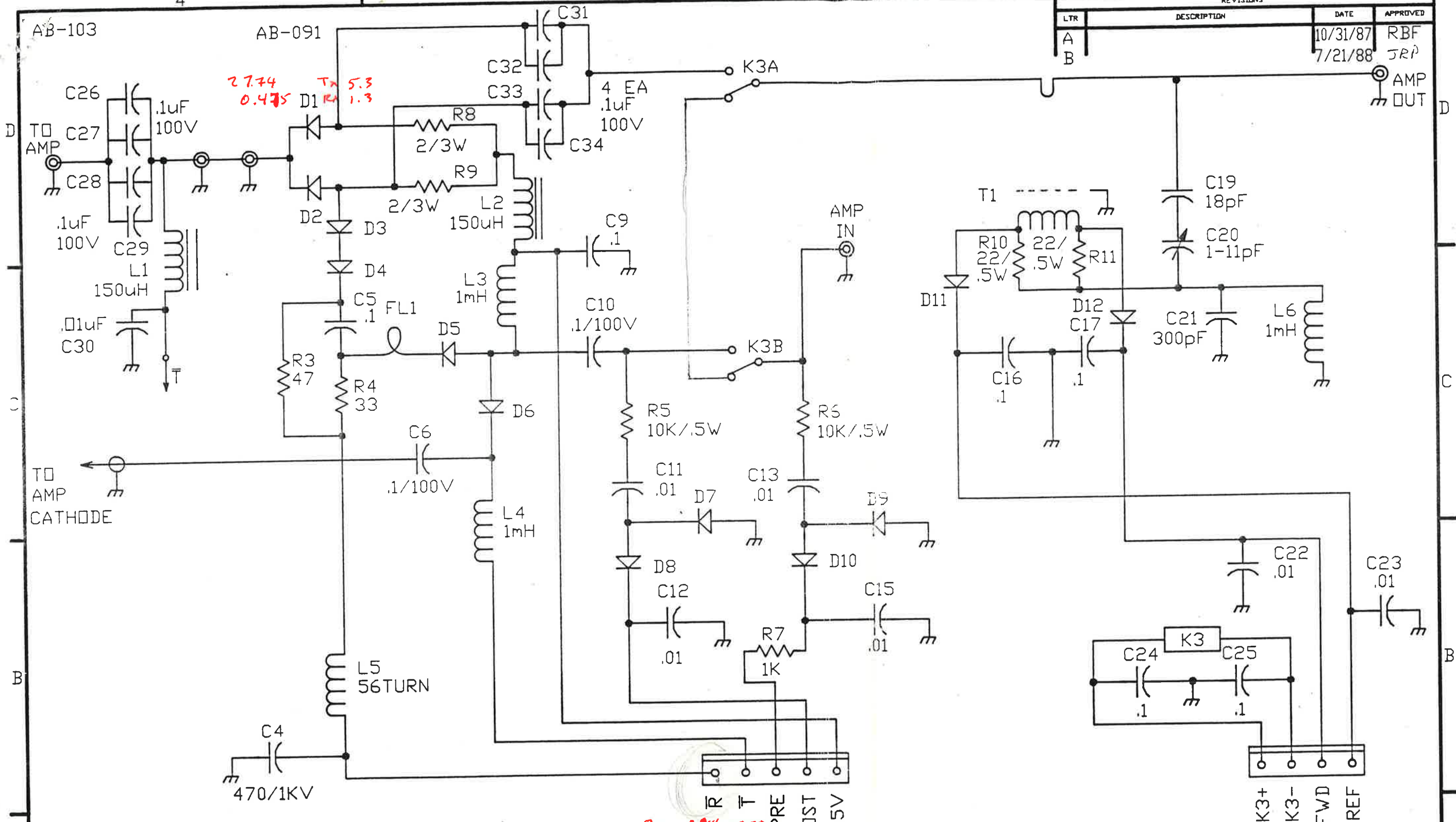
D  
C  
B  
A



REV	DATE	BY	CHKD	APP'D
1	11/2/87	JRL		
<p>THORNTON TECHNOLOGICAL OPERATIONS, INC.        10000 WILSON AVENUE, SUITE 100        WILSON, CA 94094</p>				
DESCRIPTION	QUANTITY	UNIT PRICE	TOTAL PRICE	REMARKS
DISPLAY BRD SCHEMATIC	N/A			
	N/A			



REVISIONS		DATE	APPROVED
LTR	DESCRIPTION		
A		10/31/87	RBF
B		7/21/88	JRP



*27.74 Tx 5.3  
0.475 Rx 1.3*

*Rx 0.84 27.75  
Tx 27.0 0.117*

- D1-D2 UM4001CR
- D3-D5 KS1001
- D6 UM9415
- D7-D12 1N4148
- FL1 FUSE ASSY

DO NOT SCALE THIS DRAWING  
UNLESS OTHERWISE SPECIFIED  
DIMENSIONS ARE IN INCHES

TOLERANCES	
DIAMETER	XX ±.02
UP TO .750	±.005 XXX ±.010
.750 TO 1.000	±.007 FRACTIONS 1/64
OVER 1.000	±.010 <math>\angle \pm 2^\circ</math>

DRN BY	RJW 7/21/88	EHRHORN TECHNOLOGICAL OPERATIONS, INC. BOX 888 CANON CITY, CO. 81212
CHK BY	JRP 7/27/87	
APPD BY		DVG NO. SX-071
MATL	N/A	DVG TITLE SWR-T/R BRD SCHEMATIC
FINISH	N/A	USED ON ∞ 86
		NEXT ASSY AB-091/AB-103
		CLST NO. SCALE NONE
		SHEET NO.

D

C

B

A

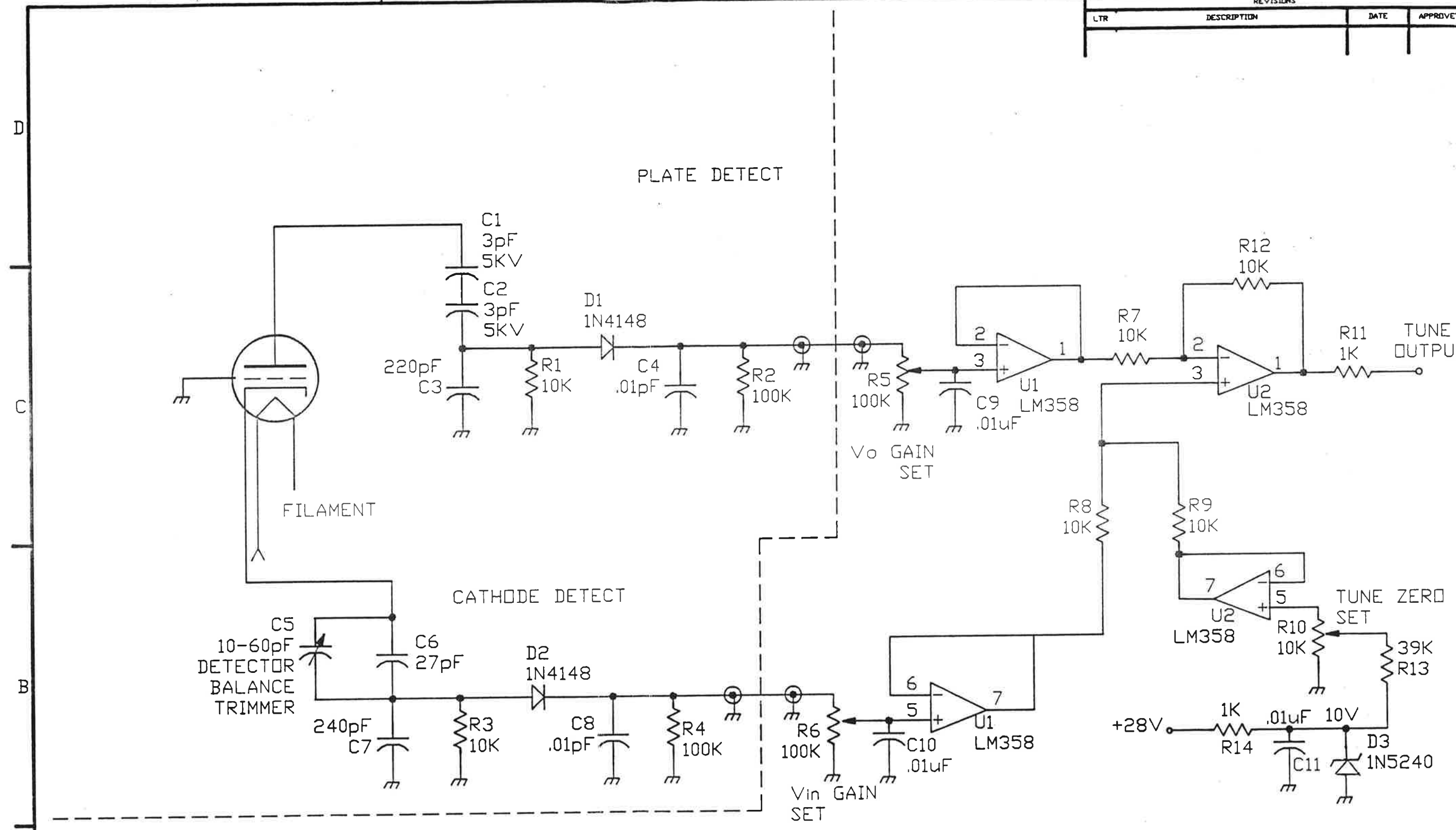
D

C

B

A

REVISIONS			
LTR	DESCRIPTION	DATE	APPROVE



DO NOT SCALE THIS DRAWING  
UNLESS OTHERWISE SPECIFIED  
DIMENSIONS ARE IN INCHES

TOLERANCES	
DIAMETER	XX ±.02
UP TO .750	±.005 XXX ±.010
.750 TO 1.000	±.007 FRACTIONS ±1/64
OVER 1.000	±.010 ±.2°

DRN BY RJW 7/29/88	EHRHORN TECHNOLOGICAL OPERATIONS, INC. BOX 888 CANNON CITY, CO. 81201
CHK BY RJD 7/24/88	
APPD BY	DWG NO. SXX-X105
MATL	DWG TITLE TUNE METER/86
FINISH	USED ON ∞ 86
	NEXT ASSY
	CUST NO.
	SCALE
	SHEET NO.

D  
C  
B  
A

4 3 2 1

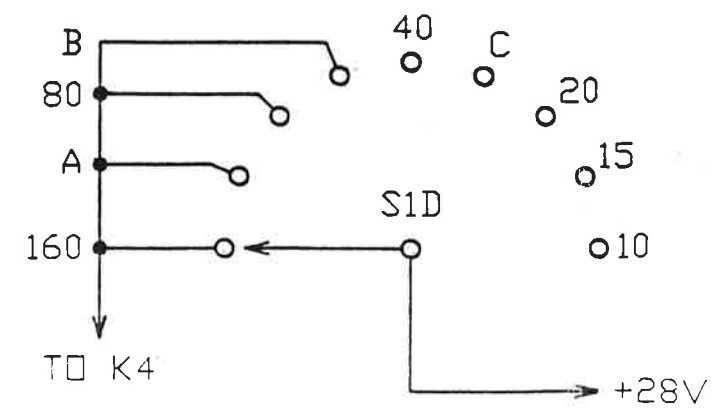
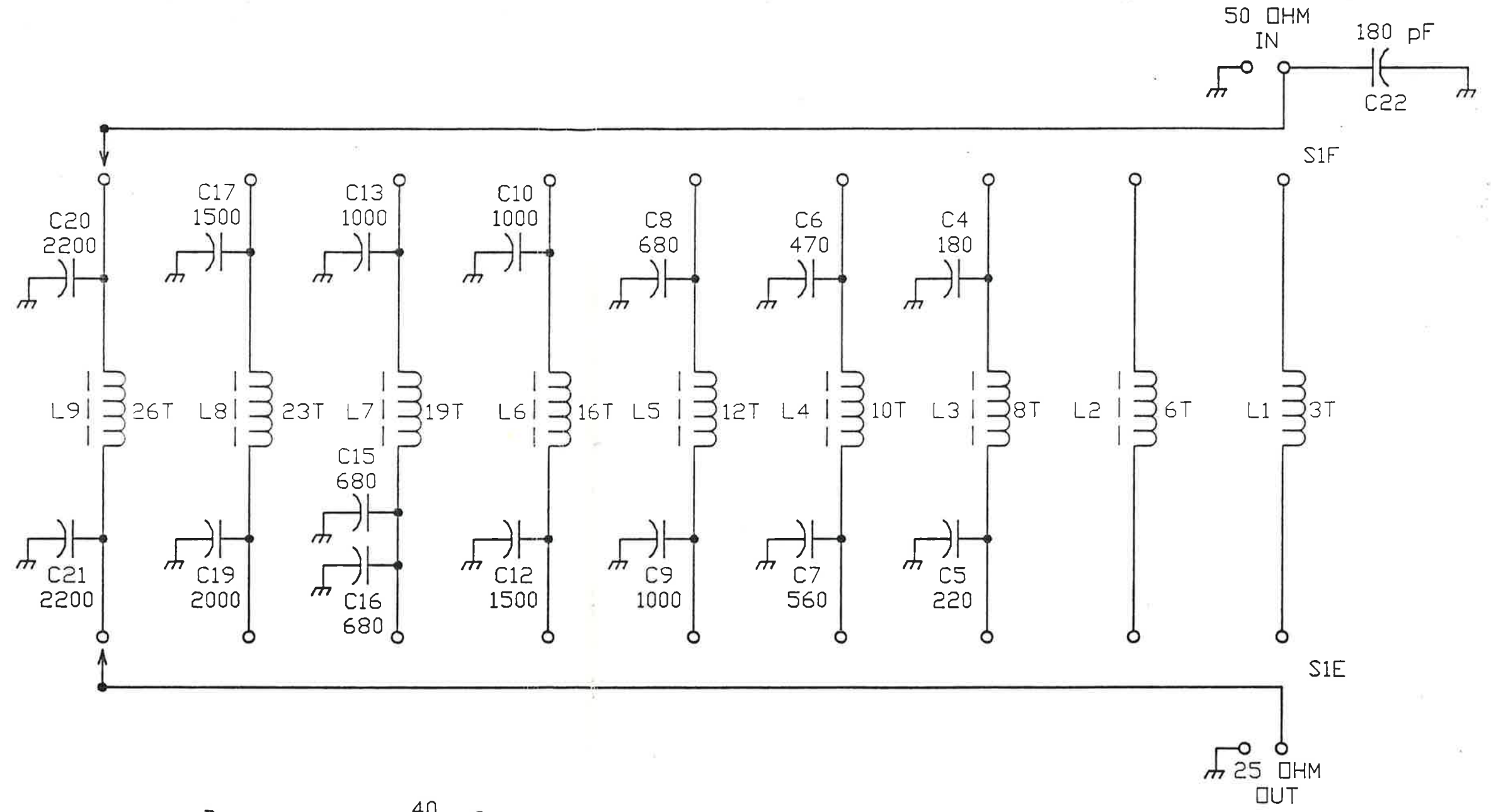


NOTES:

1. 10M POSITION AVAILABLE ON EXPORT MODEL ONLY.

REVISIONS			
LTR	DESCRIPTION	DATE	APPROVED

D  
C  
B  
A



DO NOT SCALE THIS DRAWING  
UNLESS OTHERWISE SPECIFIED  
DIMENSIONS ARE IN INCHES

TOLERANCES	
DIAMETER	XX ±.02
UP TO .750	±.005 XXX ±.010
.750 TO 1.000	±.007 FRACTIONS ±1/64
OVER 1.000	±.010

↖ ±2°

DRN BY RJW 7/21/88	EHRHORN TECHNOLOGICAL OPERATIONS, INC. BOX 888 CANON CITY, CO. 81212	DWG NO. SX-077	REV
CHK BY SRP 7/28/88		DWG TITLE INPUT MATCHING NETWORK SCHEMATIC	DWG SIZE C
APPD BY	MATL N/A	USED ON 86	NEXT ASSY AB-094
FINISH N/A	CUST NO.	SCALE NONE	SHEET NO.