

FIGURE 6
ALPHA 99 SIMPLIFIED
CHASSIS SCHEMATIC
(RF & POWER SUPPLY)

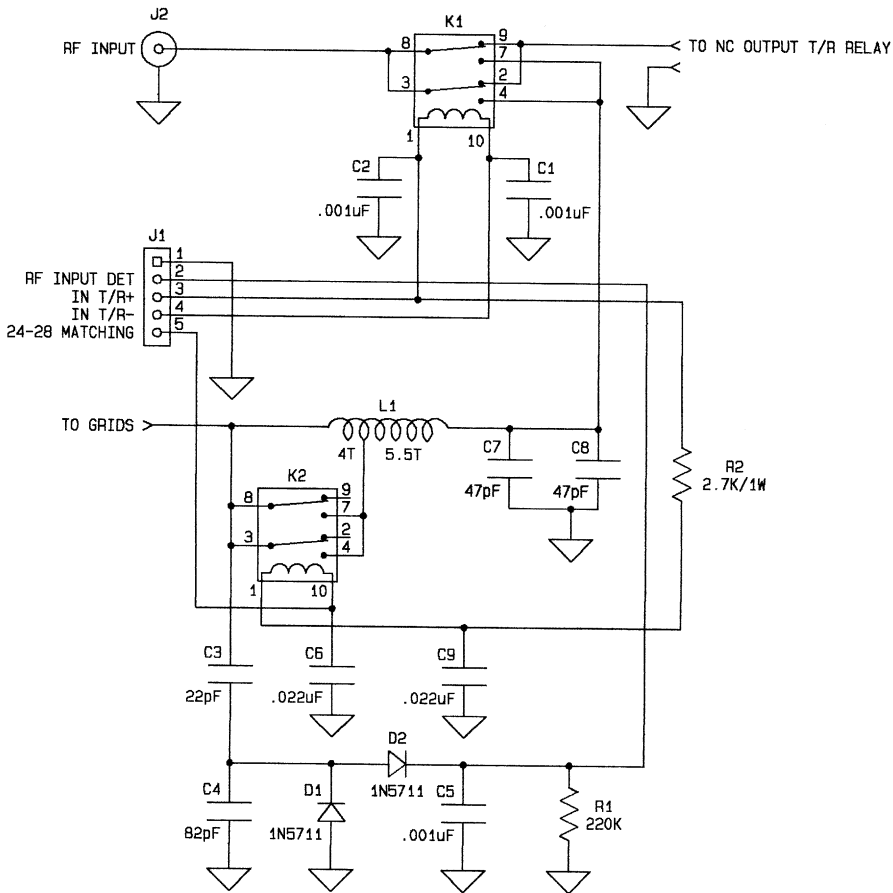


FIGURE 13
ALPHA 99
INPUT BOARD
ABX-X405

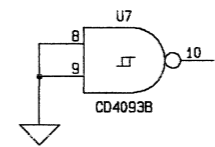
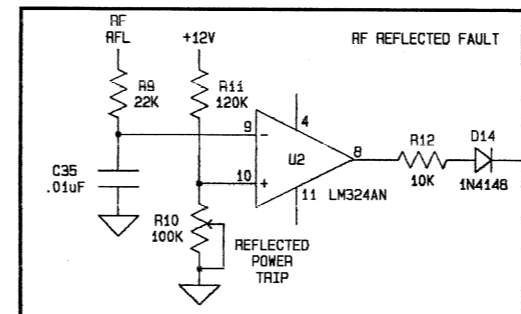
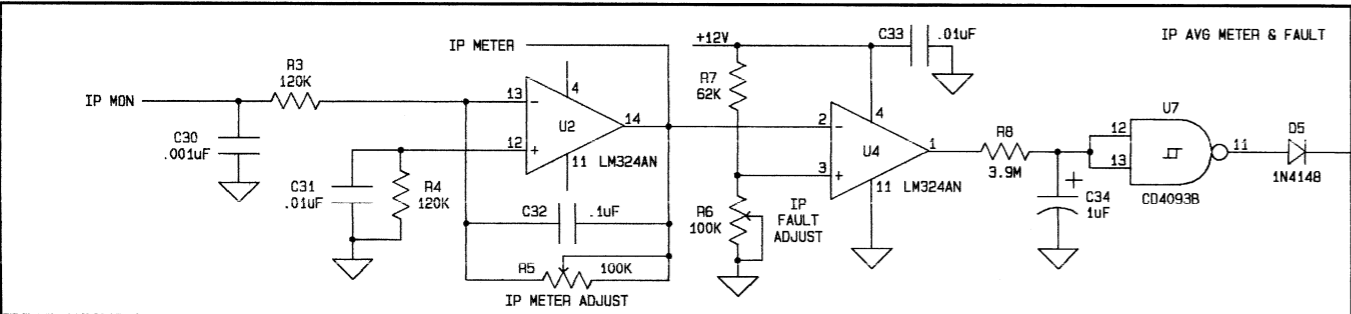
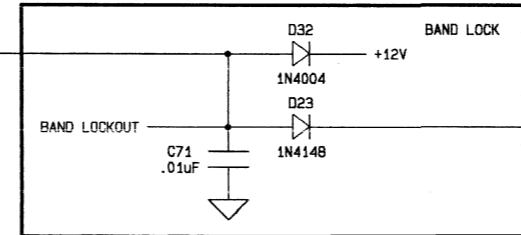
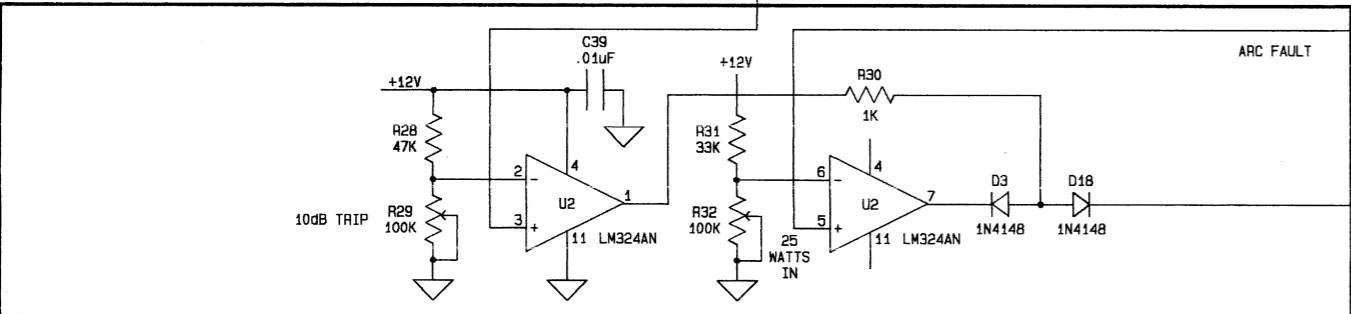
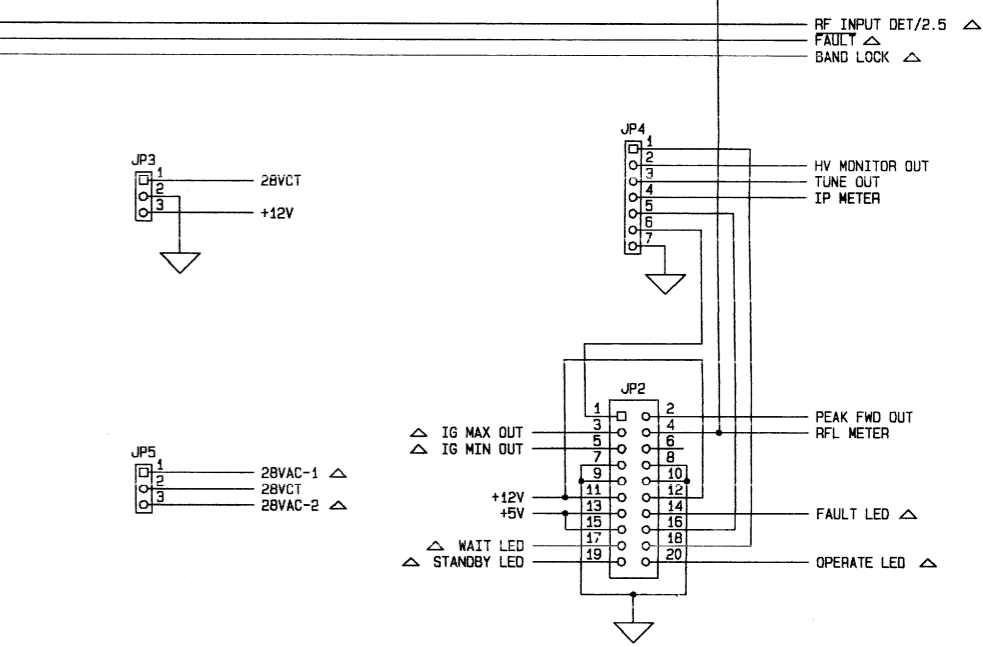
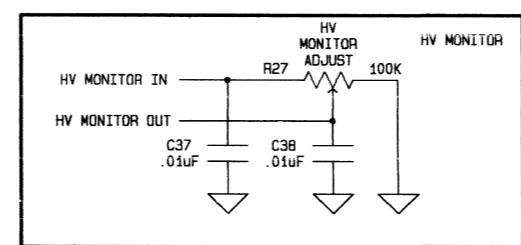
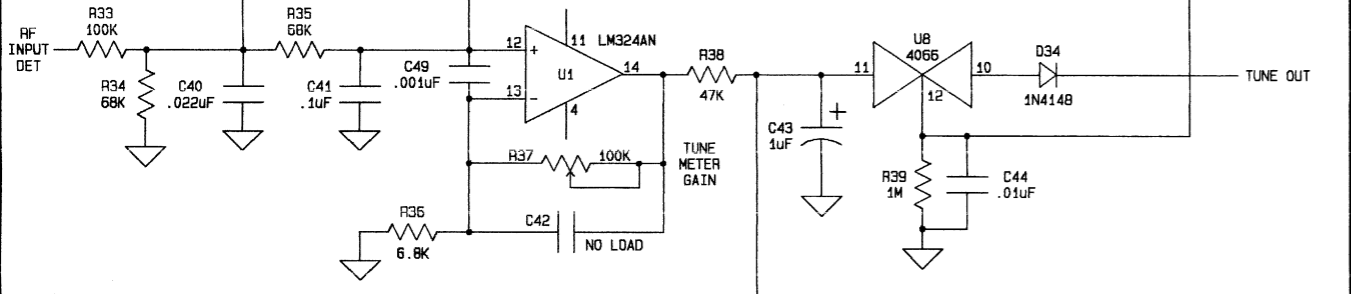
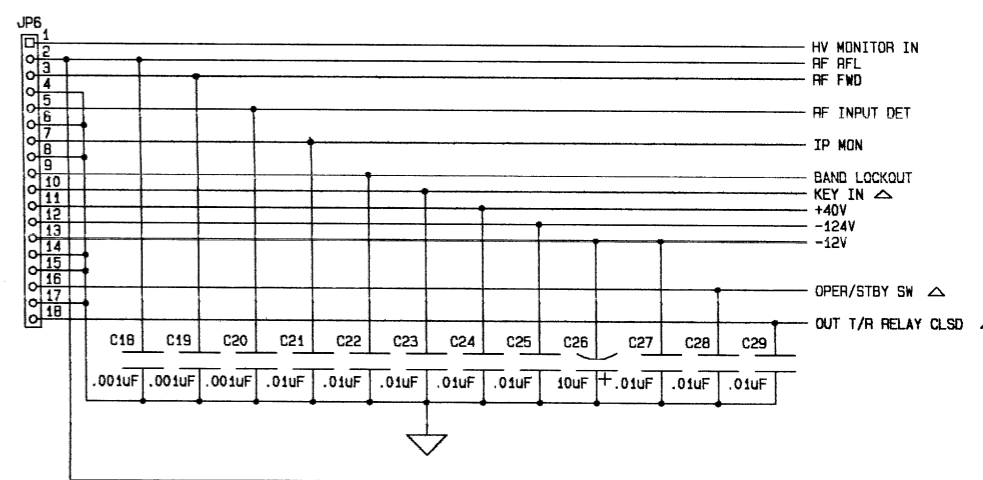
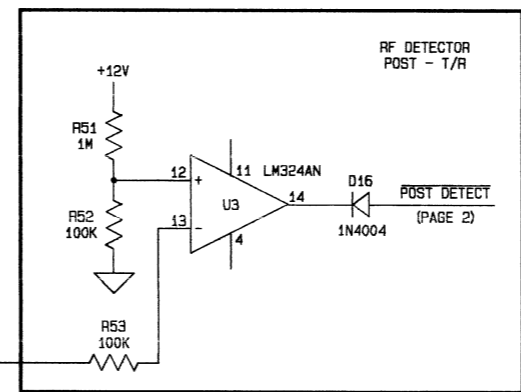
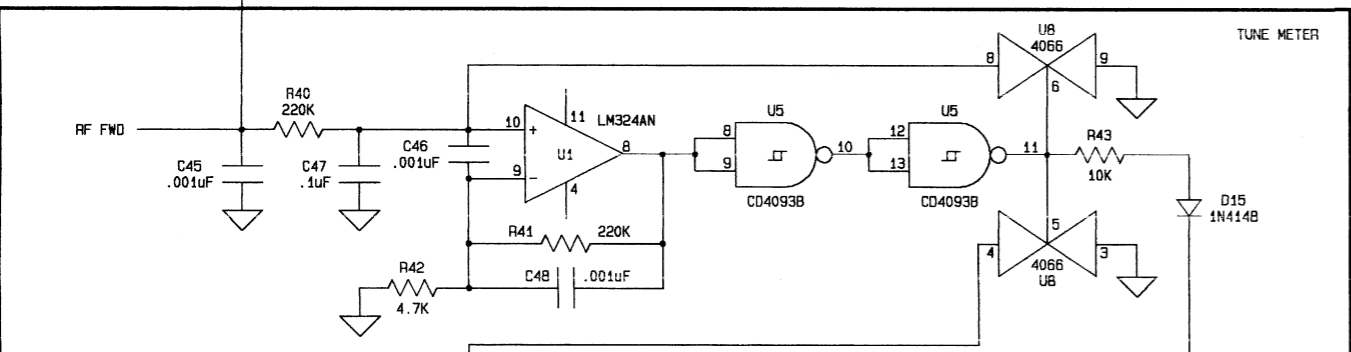
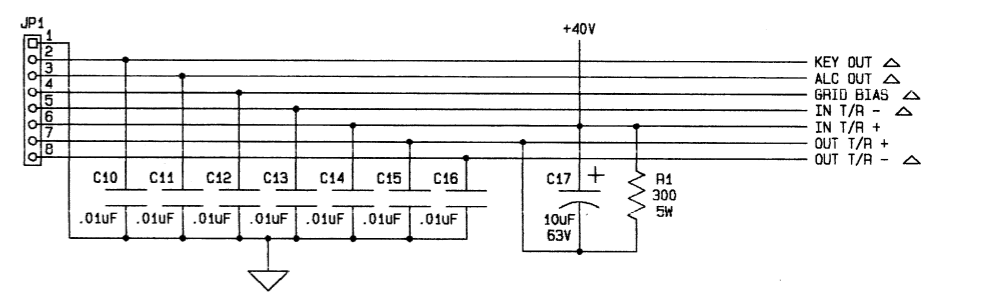
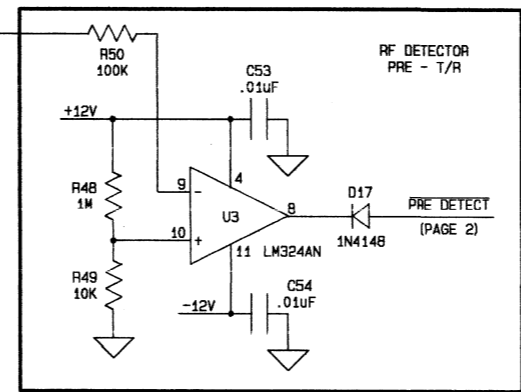
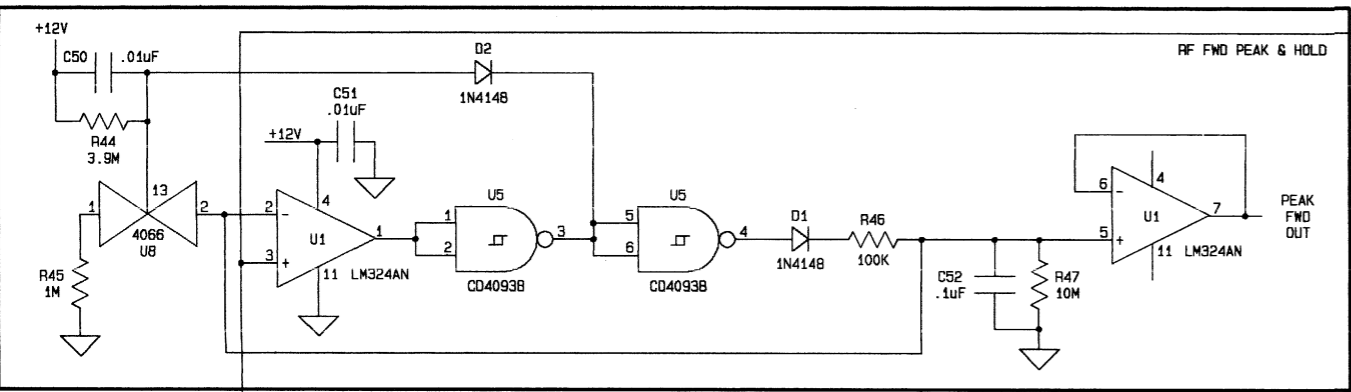
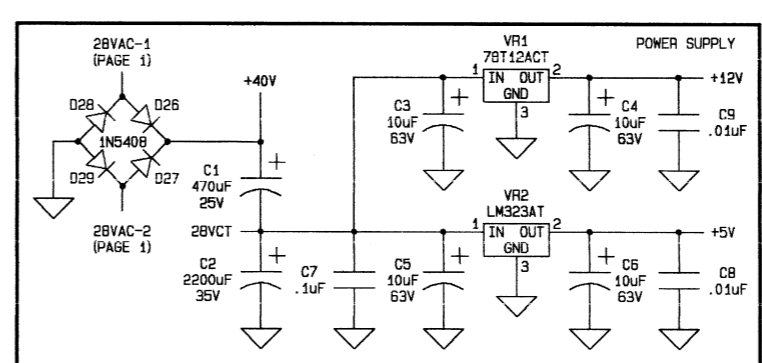
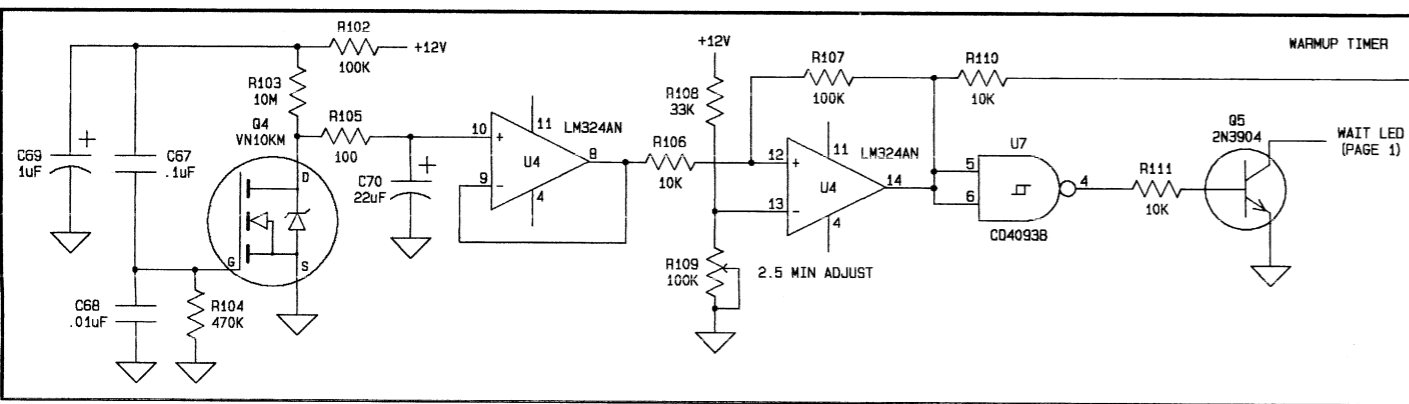
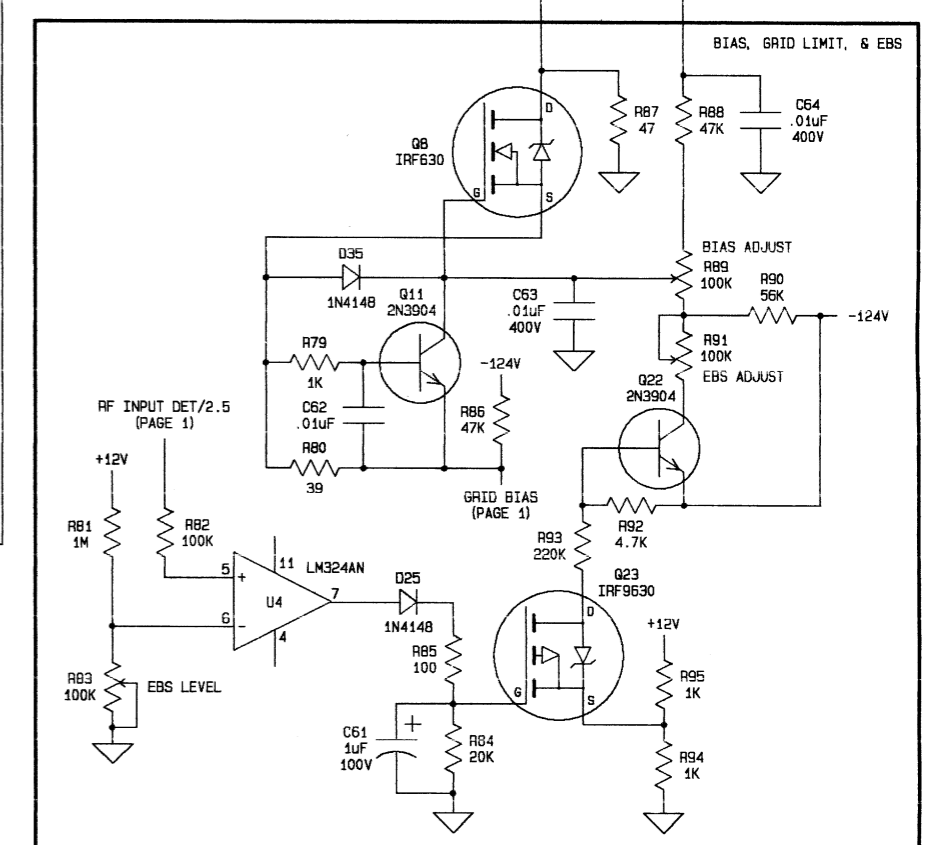
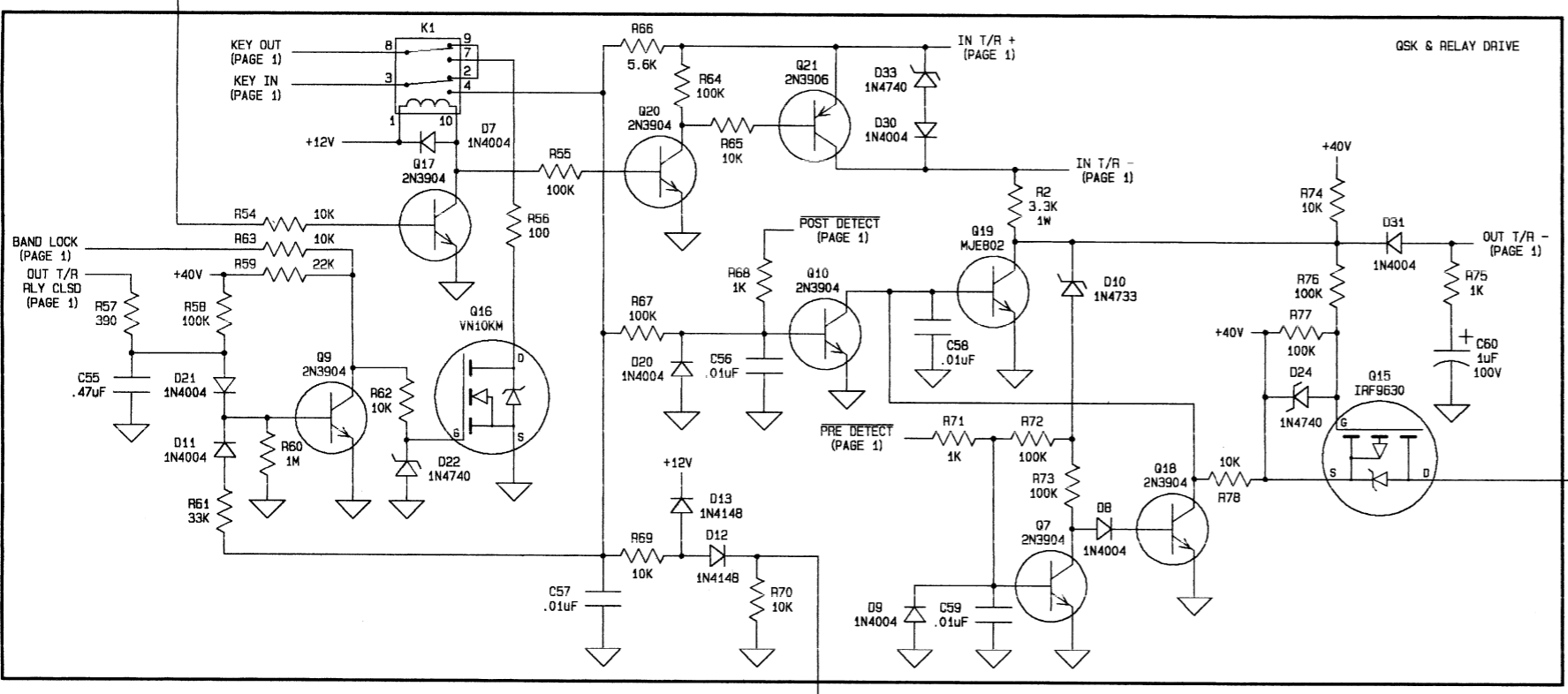
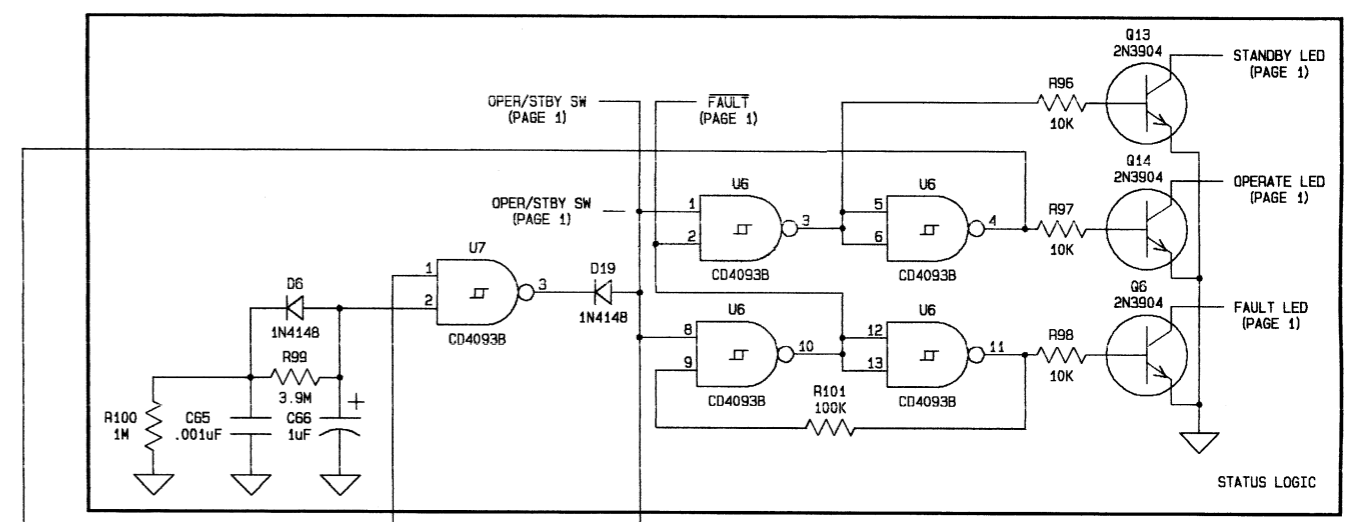
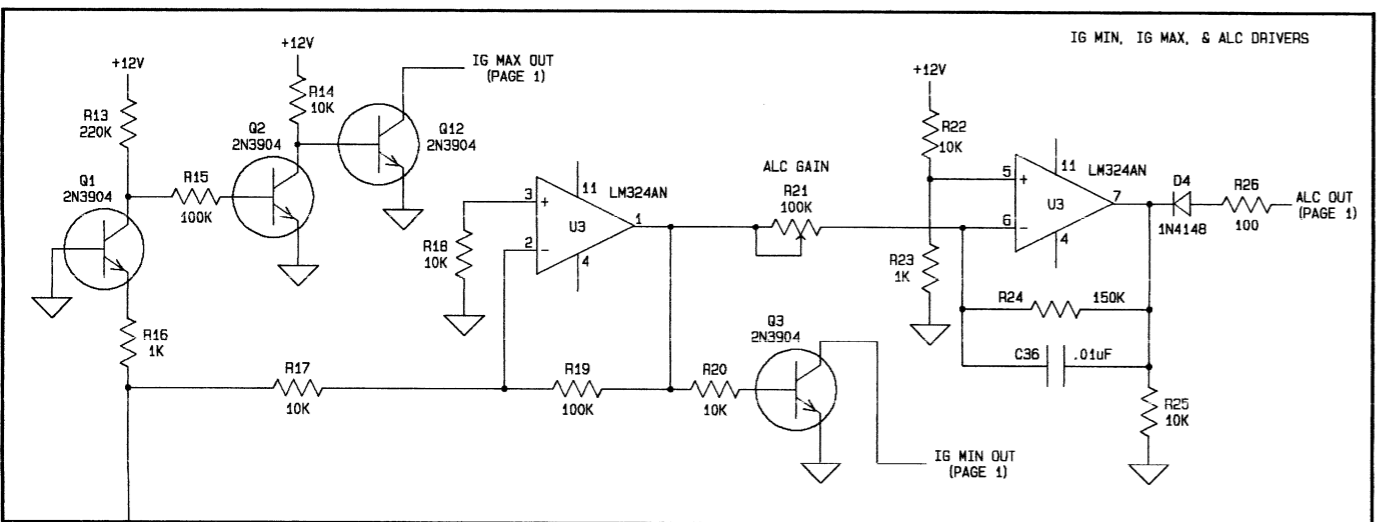


FIGURE 7
ALPHA 99
CONTROL BOARD
ABX-X401
 Page 1 of 2



**FIGURE 7
ALPHA 99
CONTROL BOARD
ABX-X401
Page 2 of 2**

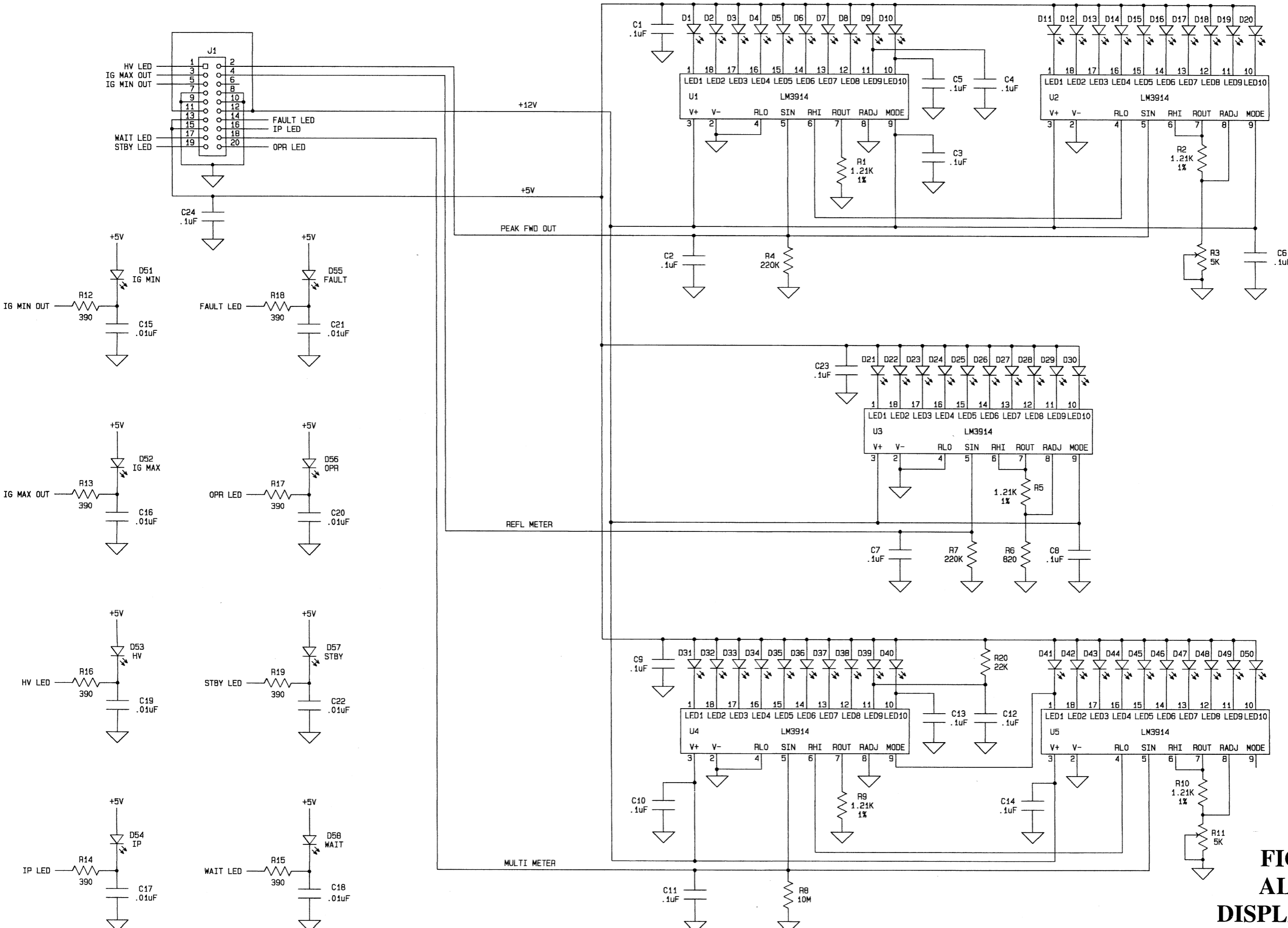


FIGURE 8
ALPHA 99
DISPLAY BOARD
ABX-X400

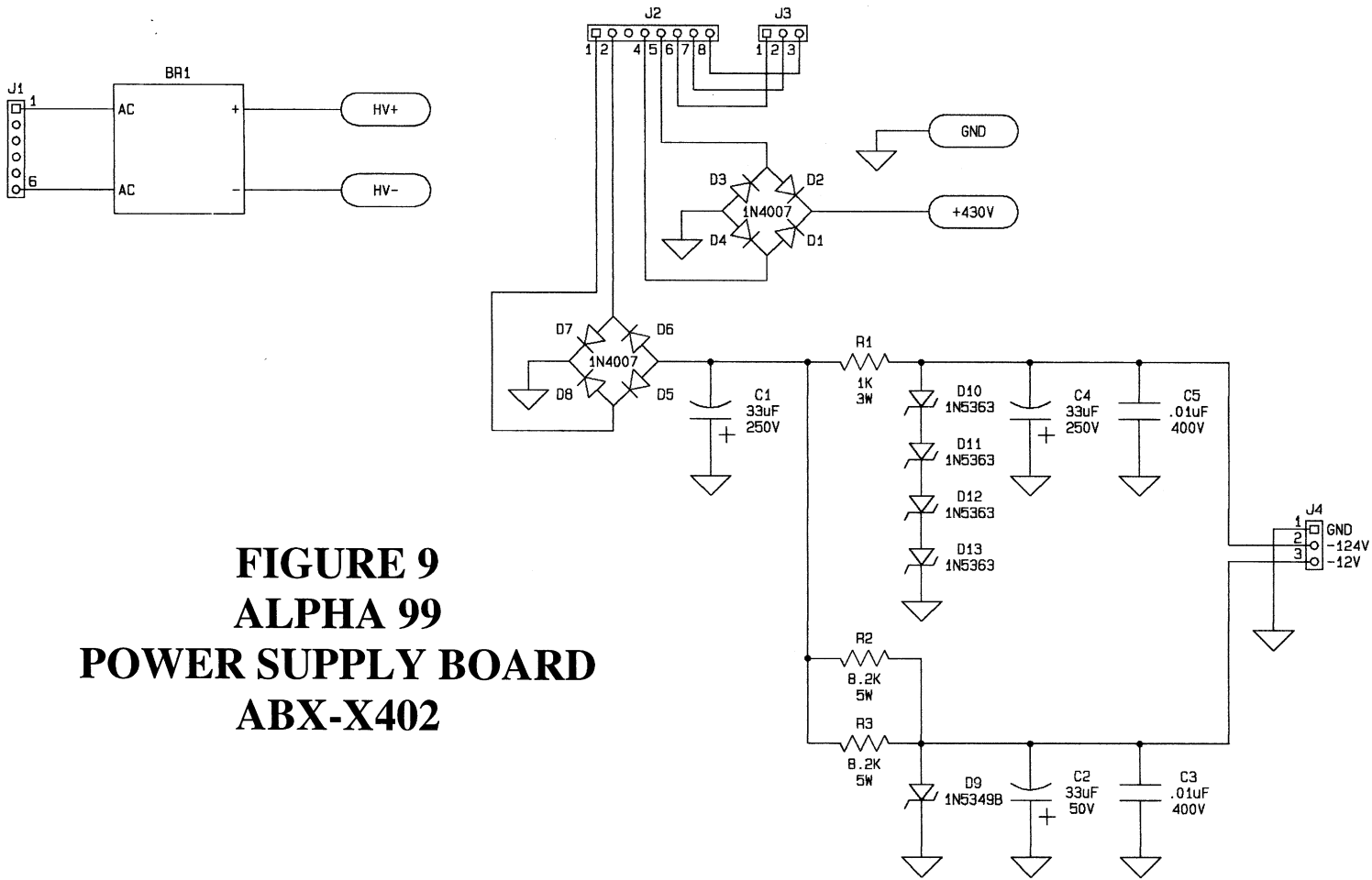
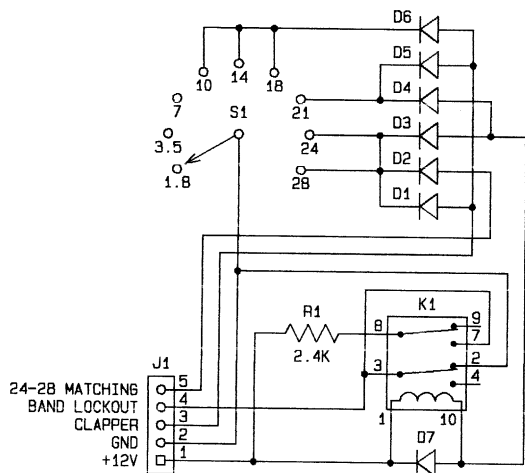


FIGURE 9
ALPHA 99
POWER SUPPLY BOARD
ABX-X402



NOTE: ALL DIODES ARE 1N4004

FIGURE 10
ALPHA 99
SWITCH MATRIX BOARD
ABX-X409

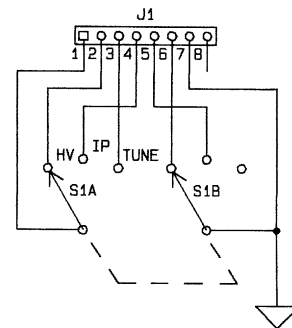


FIGURE 11
ALPHA 99
MULTIMETER SWITCH

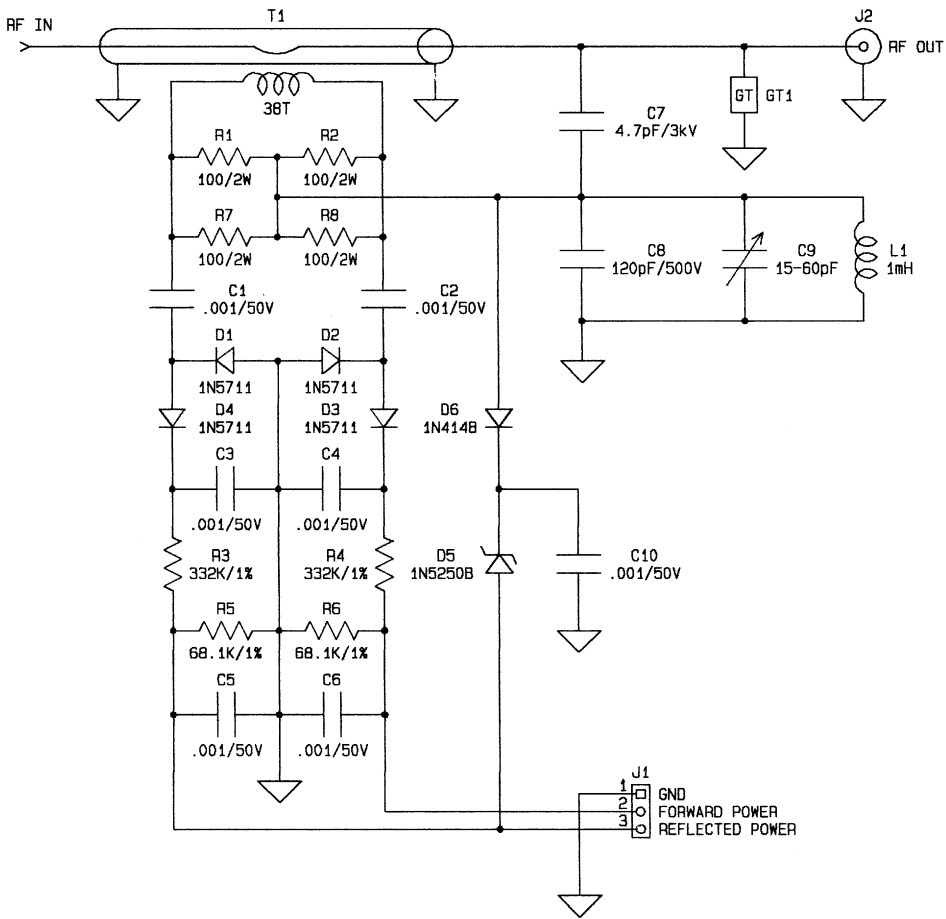


FIGURE 14
ALPHA 99 OUTPUT
RF WATTMETER
ABX-X410