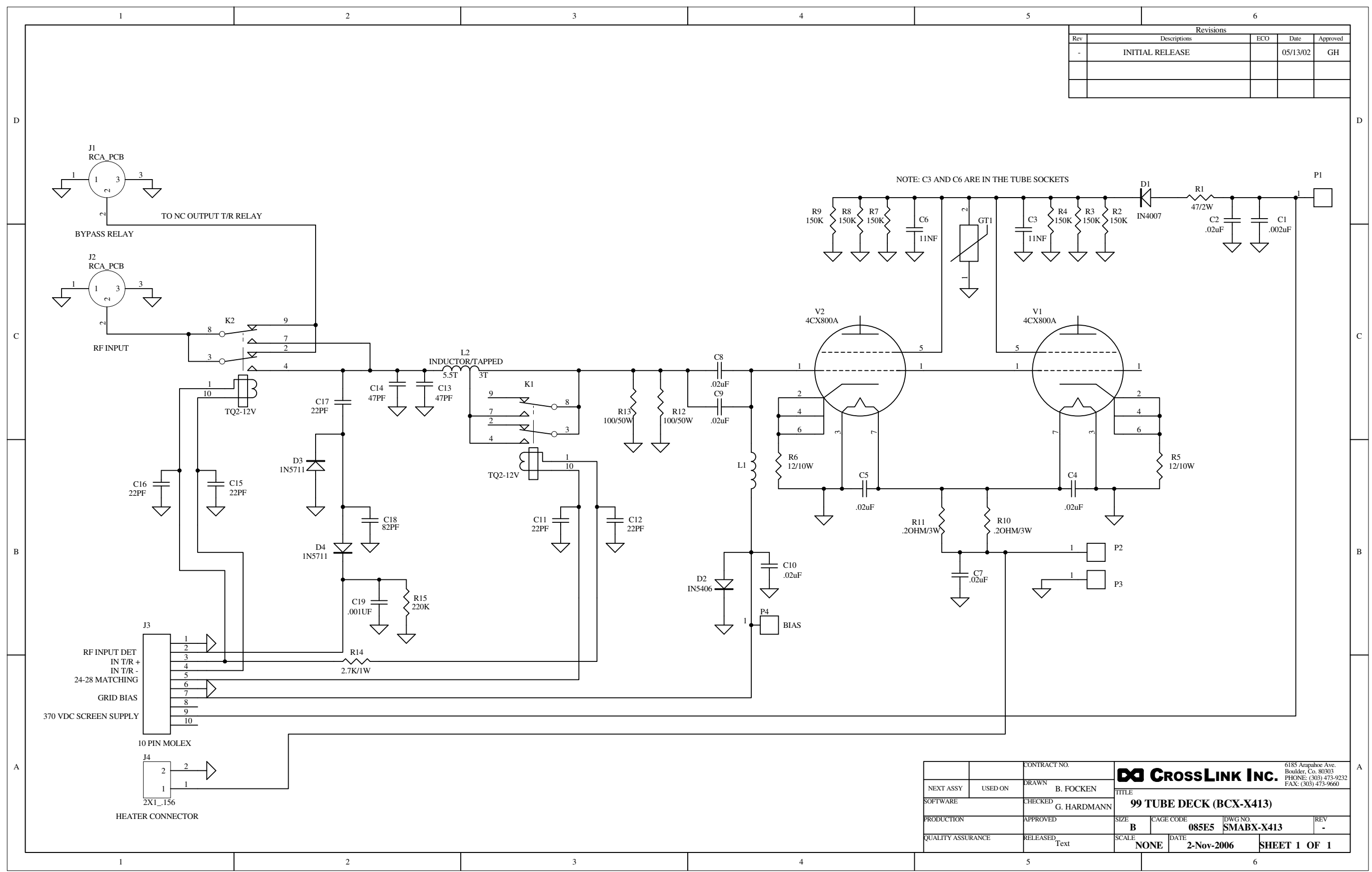
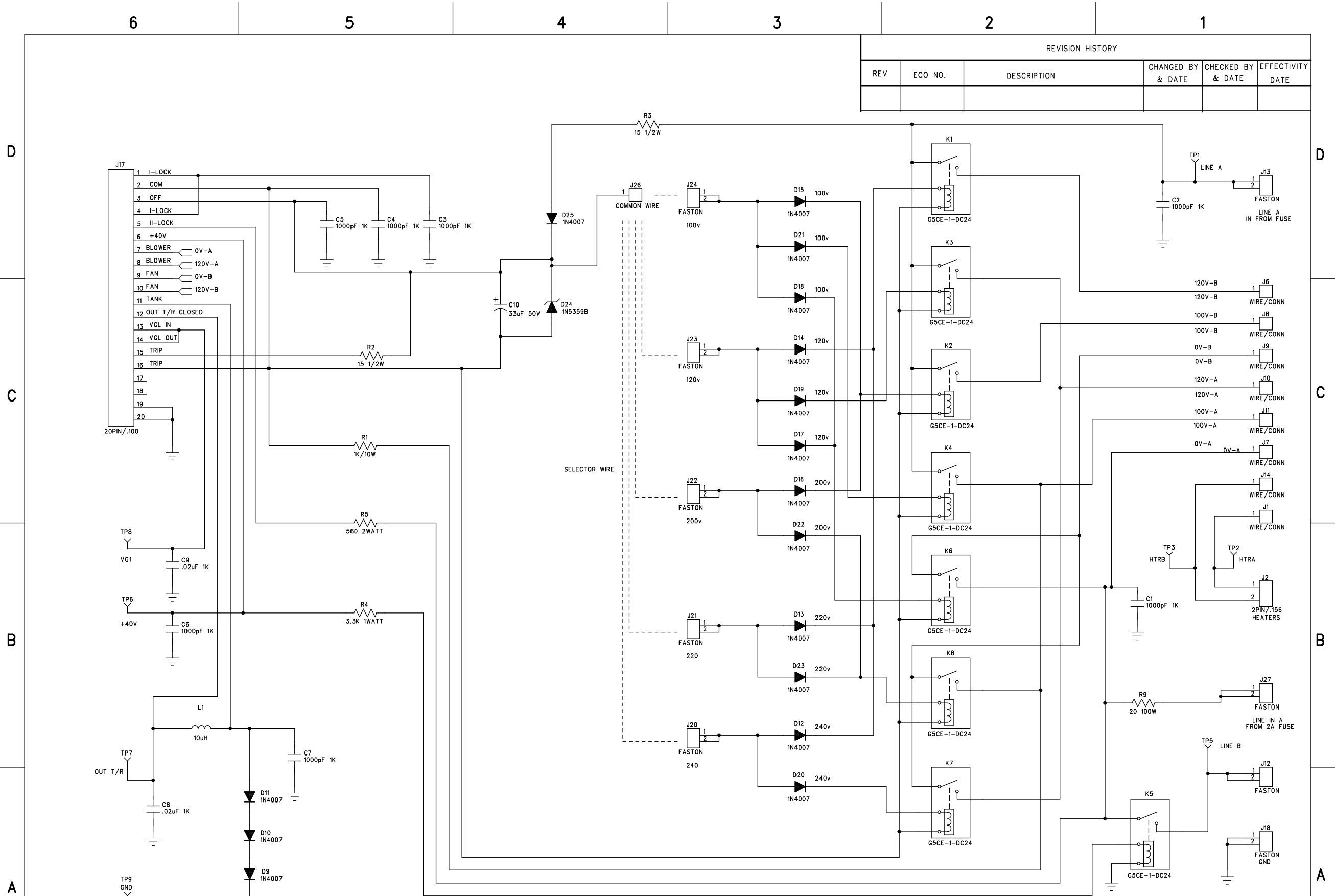


Revisions				
Rev	Descriptions	ECO	Date	Approved
-	INITIAL RELEASE		05/13/02	GH



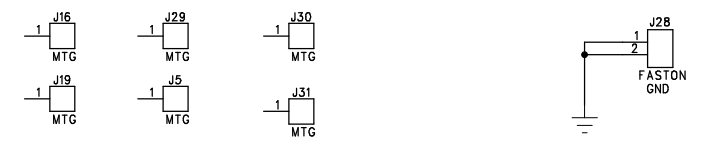
CONTRACT NO.	6185 Arapahoe Ave. Boulder, Co. 80303 PHONE: (303) 473-9232 FAX: (303) 473-9660
DRAWN B. FOCKEN	CrossLINK Inc.
CHECKED G. HARDMANN	TITLE 99 TUBE DECK (BCX-X413)
APPROVED	SIZE B
RELEASED Text	CAGE CODE 085E5
	DWG NO. SMABX-X413
	DATE 2-Nov-2006
	SCALE NONE
	SHEET 1 OF 1



REVISION HISTORY					
REV	ECO NO.	DESCRIPTION	CHANGED BY & DATE	CHECKED BY & DATE	EFFECTIVITY DATE

- J17 20PIN/.100
- 1 I-LOCK
 - 2 COM
 - 3 OFF
 - 4 I-LOCK
 - 5 II-LOCK
 - 6 +40V
 - 7 BLOWER 0V-A
 - 8 BLOWER 120V-A
 - 9 FAN 0V-B
 - 10 FAN 120V-B
 - 11 TANK
 - 12 OUT T/R CLOSED
 - 13 VGL IN
 - 14 VGL OUT
 - 15 TRIP
 - 16 TRIP
 - 17
 - 18
 - 19
 - 20

UNLESS OTHERWISE SPECIFIED DIMENSIONS ARE IN INCHES TOLERANCES ARE: .xx +/- 0.01 ANGLE: 0.5 .xxx +/- 0.001 PROPRIETARY NOTICE: THIS DOCUMENT AND DATA DISCLOSED HEREIN AND HERETHIN IS NOT TO BE REPRODUCED, USED, OR DISCLOSED IN WHOLE OR ANY PART TO ANYONE WITHOUT THE PERMISSION OF CROSSLINK INC.	PROJECT NO. ALPHA	CROSSLINK INC.	
	DRAWN BY: B. FOCKEN	DRAFT DATE: 06/19/03	TITLE: SCH,PCB,ALPHA 99,MAINS
AC MAINS	SIZE C	DRAWING # BCX-415	REV. -
PADS POWERLOGIC DRAWING	SCALE		SHEET 1 OF 2



6

5

4

3

2

1

REVISION HISTORY					
REV	ECO NO.	DESCRIPTION	CHANGED BY & DATE	CHECKED BY & DATE	EFFECTIVITY DATE

D

D

C

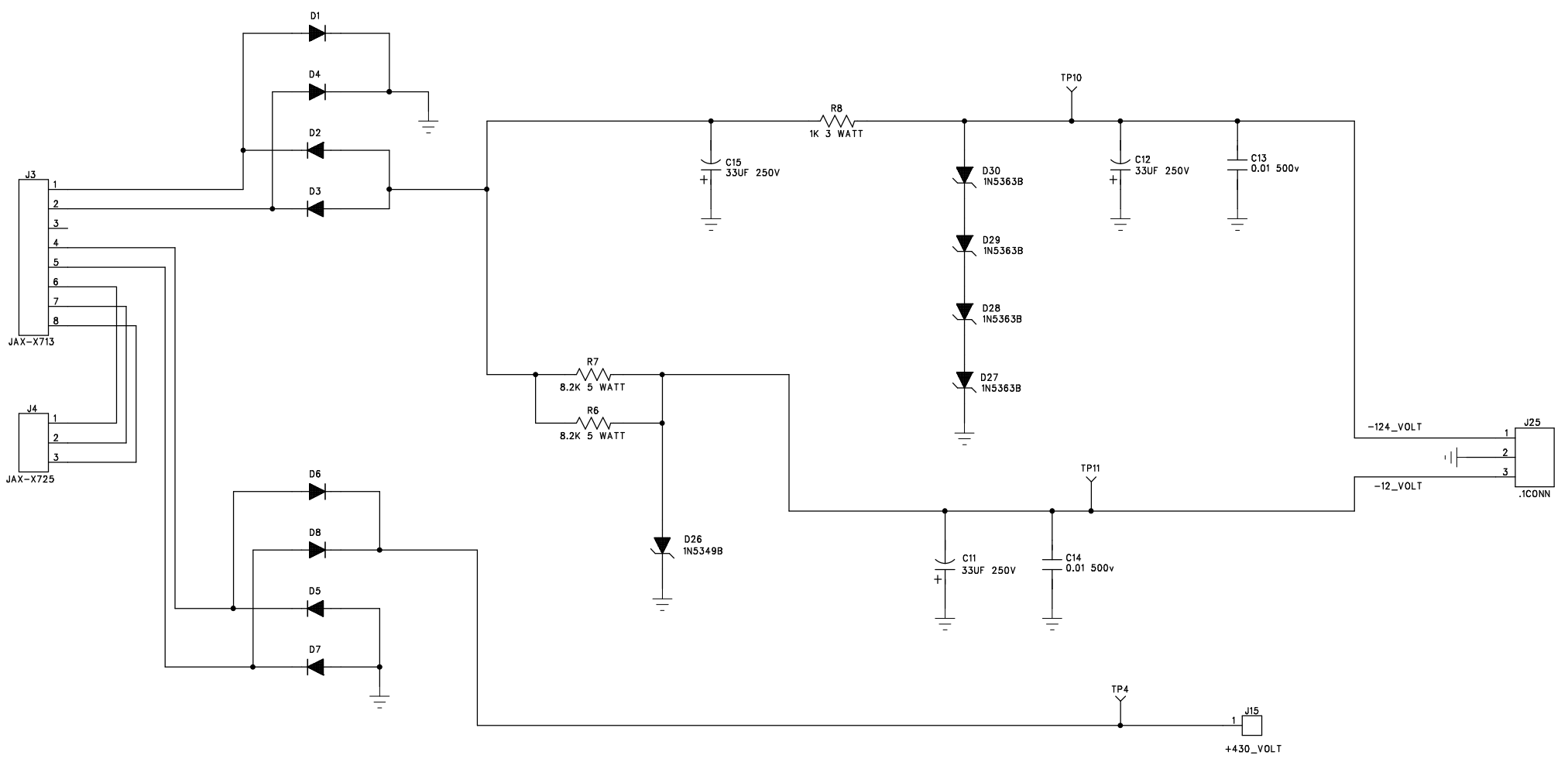
C

B

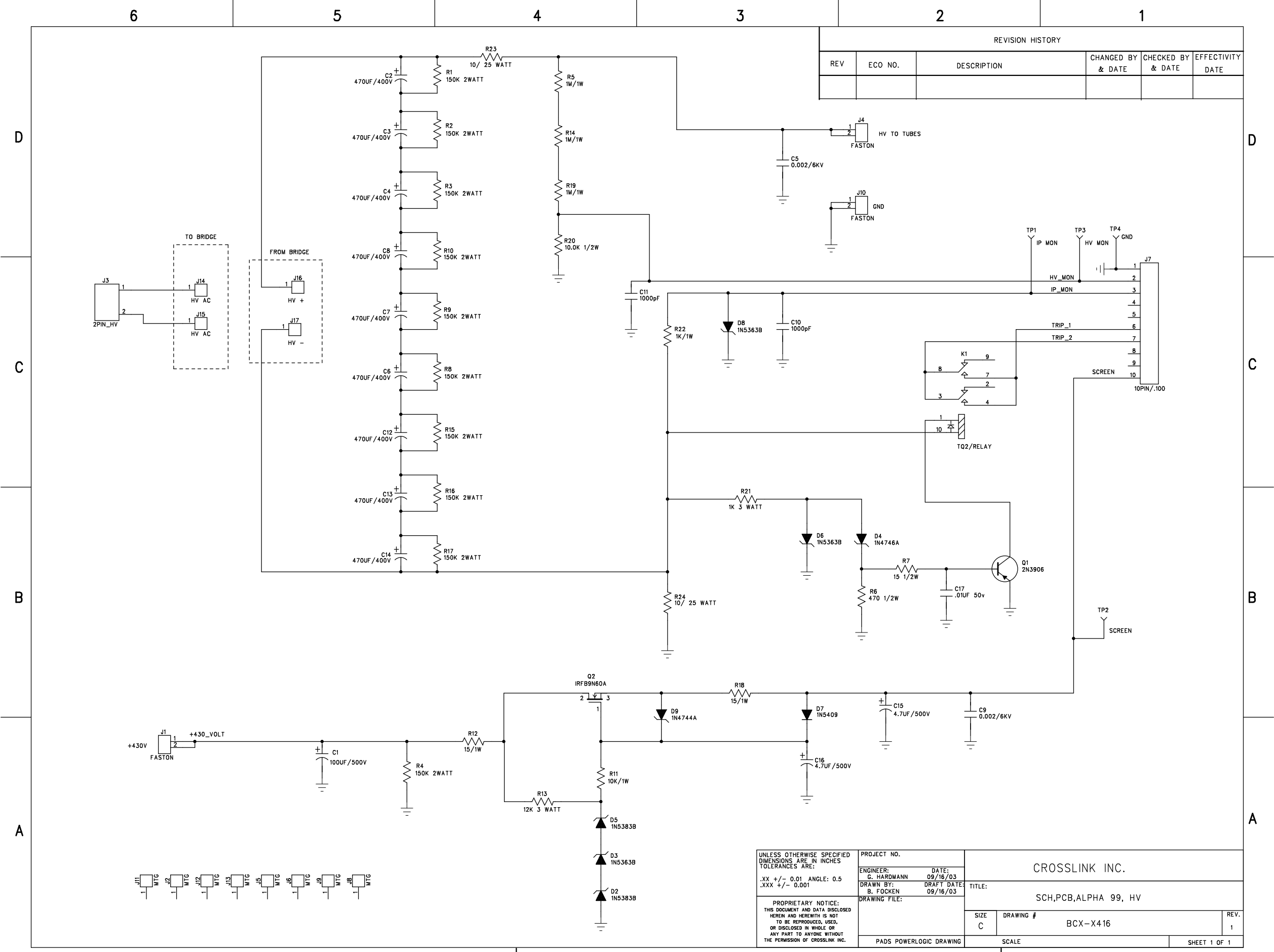
B

A

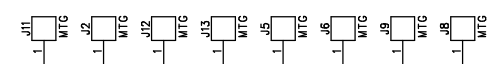
A



UNLESS OTHERWISE SPECIFIED DIMENSIONS ARE IN INCHES TOLERANCES ARE: .XX +/- 0.01 ANGLE: 0.5 .XXX +/- 0.001 PROPRIETARY NOTICE: THIS DOCUMENT AND DATA DISCLOSED HEREIN AND HEREWITH IS NOT TO BE REPRODUCED, USED, OR DISCLOSED IN WHOLE OR ANY PART TO ANYONE WITHOUT THE PERMISSION OF CROSSLINK INC.	PROJECT NO.	CROSSLINK INC.			
	DRAWN BY:	DRAFT DATE:	TITLE:		
	DRAWING FILE:		SIZE	DRAWING #	REV.
	LVPS		C	BCX-415	-
PADS POWERLOGIC DRAWING		SCALE		SHEET 2 OF 2	



REVISION HISTORY					
REV	ECO NO.	DESCRIPTION	CHANGED BY & DATE	CHECKED BY & DATE	EFFECTIVITY DATE



UNLESS OTHERWISE SPECIFIED DIMENSIONS ARE IN INCHES TOLERANCES ARE: .XX +/- 0.01 ANGLE: 0.5 .XXX +/- 0.001	PROJECT NO.	CROSSLINK INC.	
	ENGINEER: C. HARDMANN DATE: 09/16/03	TITLE: SCH,PCB,ALPHA 99, HV	
PROPRIETARY NOTICE: THIS DOCUMENT AND DATA DISCLOSED HEREIN AND HEREWITH IS NOT TO BE REPRODUCED, USED, OR DISCLOSED IN WHOLE OR ANY PART TO ANYONE WITHOUT THE PERMISSION OF CROSSLINK INC.	DRAWN BY: B. FOCKEN DRAFT DATE: 09/16/03	SIZE C	DRAWING # BCX-X416
DRAWING FILE: PADS POWERLOGIC DRAWING	SCALE	REV. 1	SHEET 1 OF 1

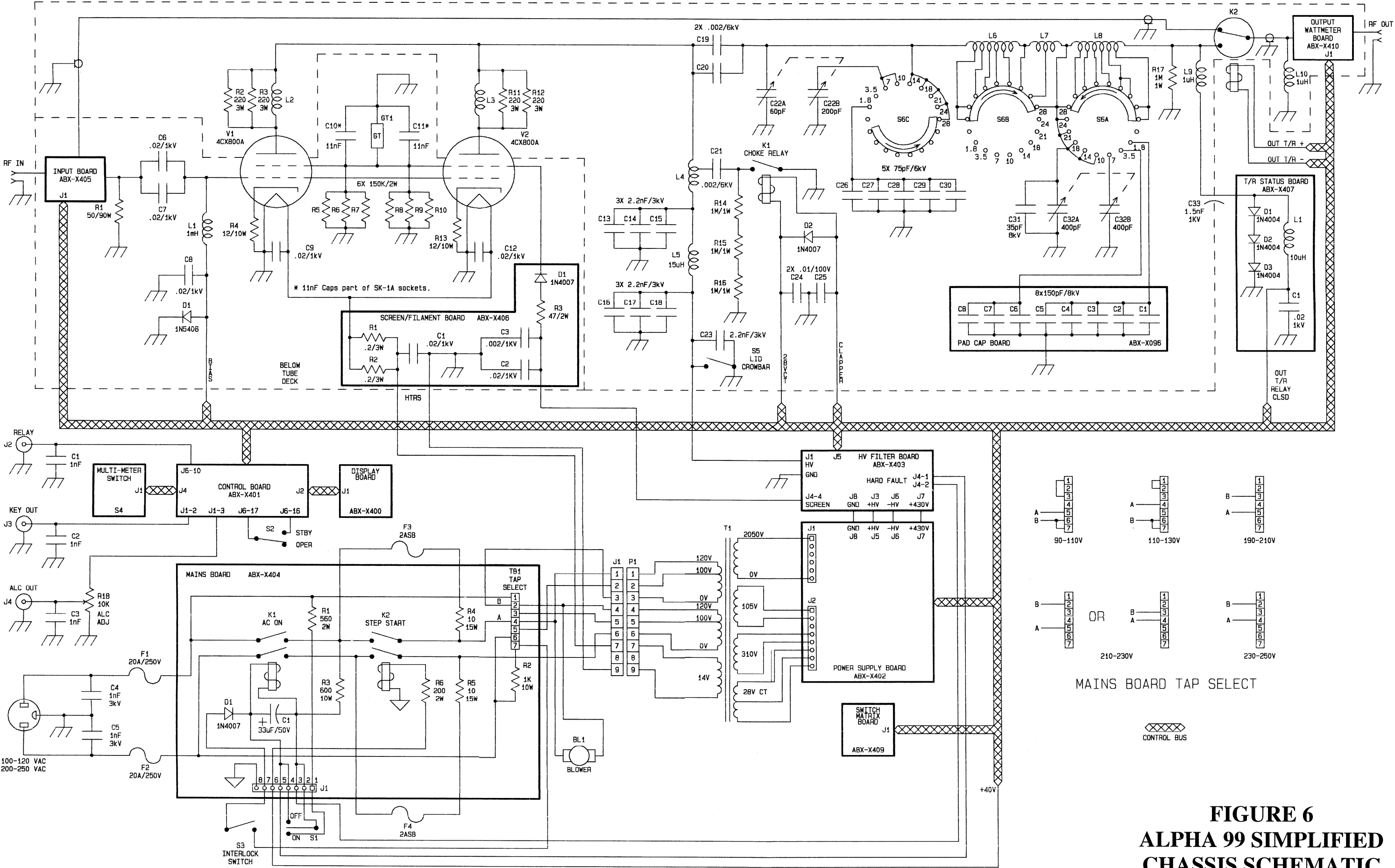


FIGURE 6
ALPHA 99 SIMPLIFIED
CHASSIS SCHEMATIC
(RF & POWER SUPPLY)

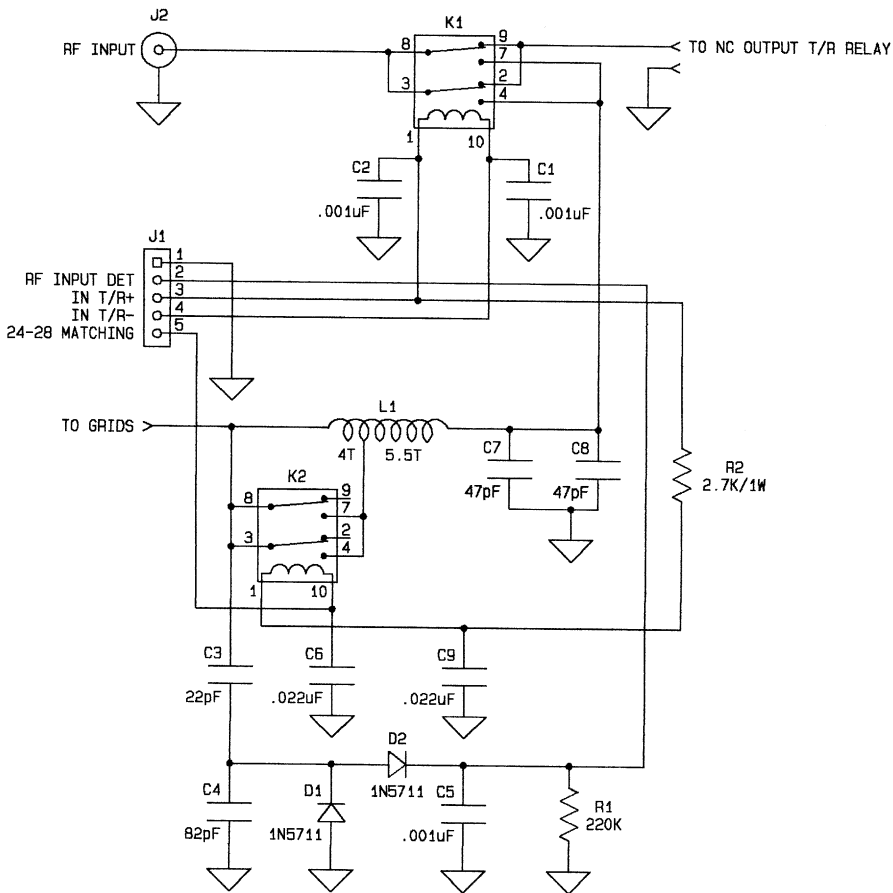


FIGURE 13
ALPHA 99
INPUT BOARD
ABX-X405

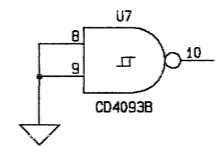
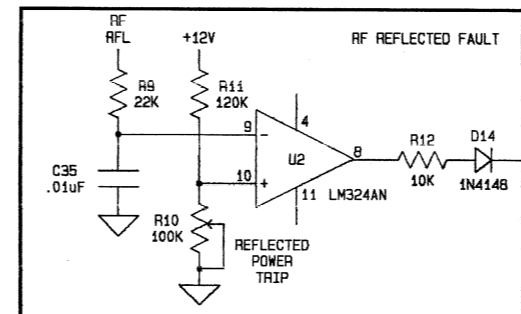
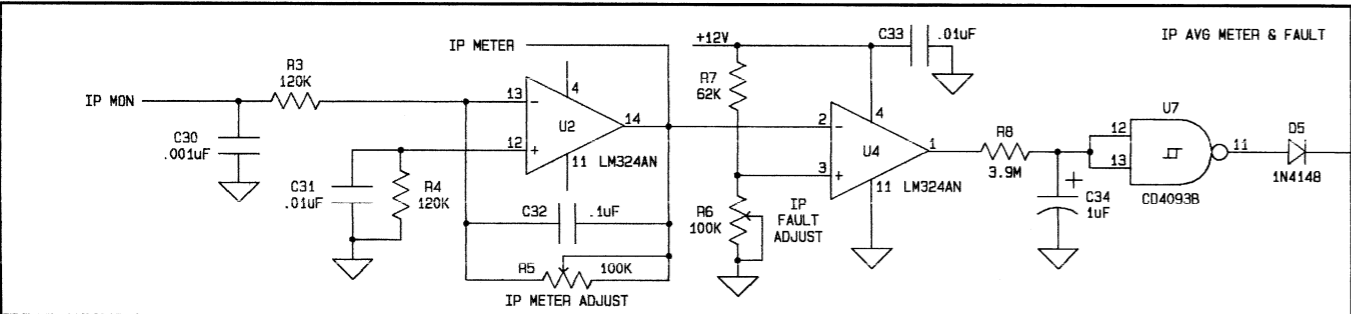
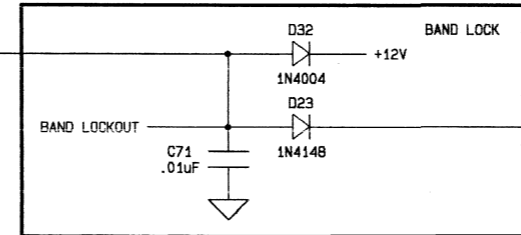
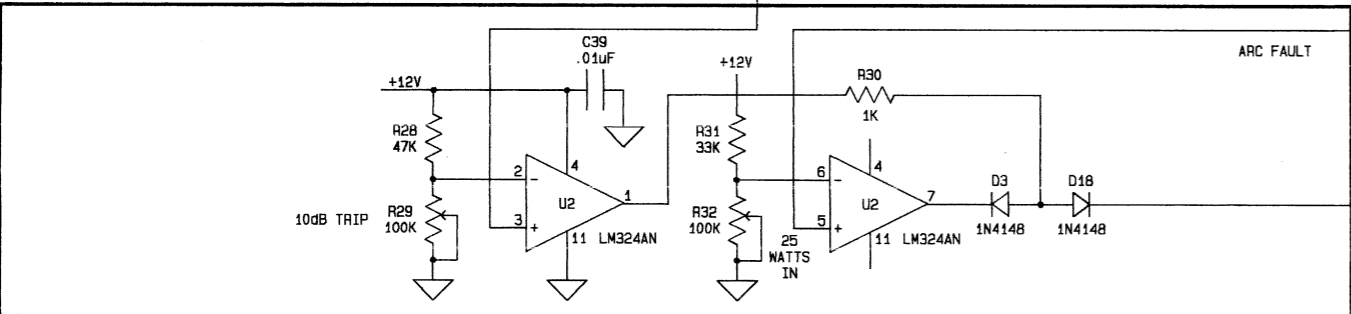
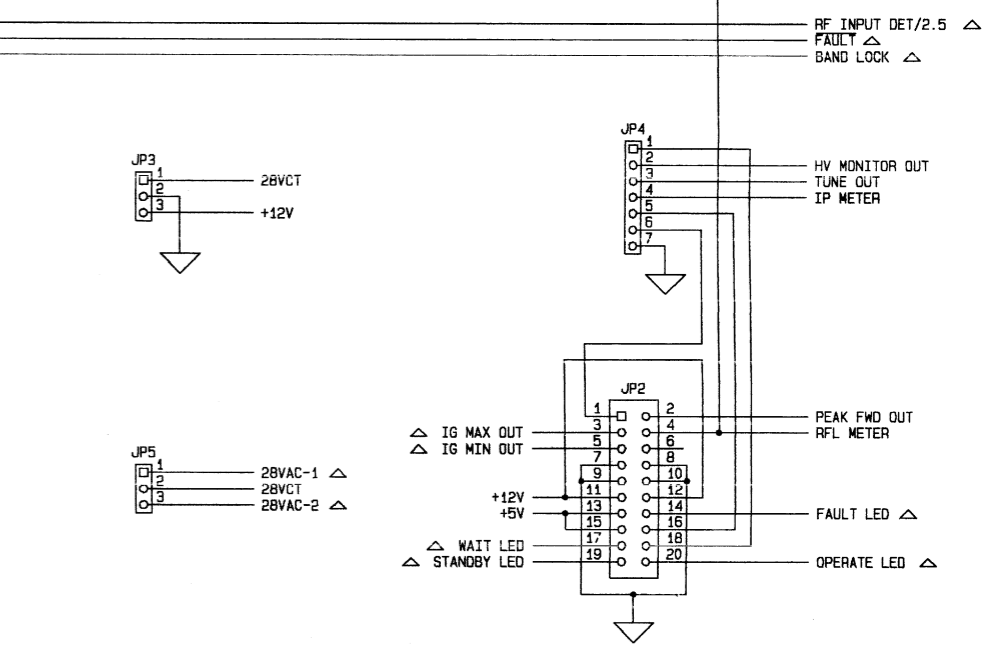
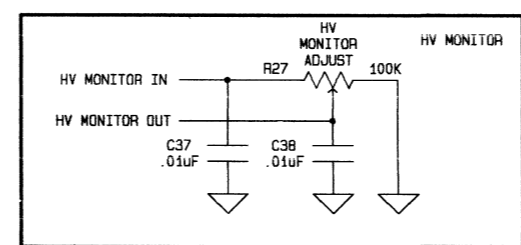
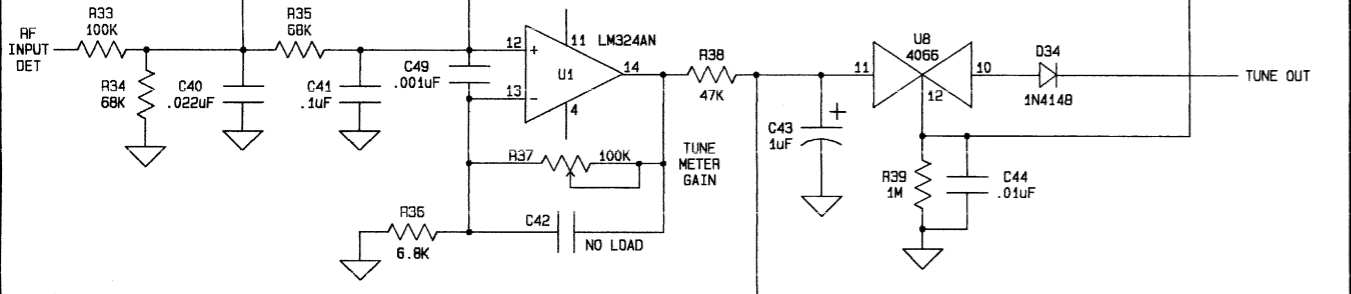
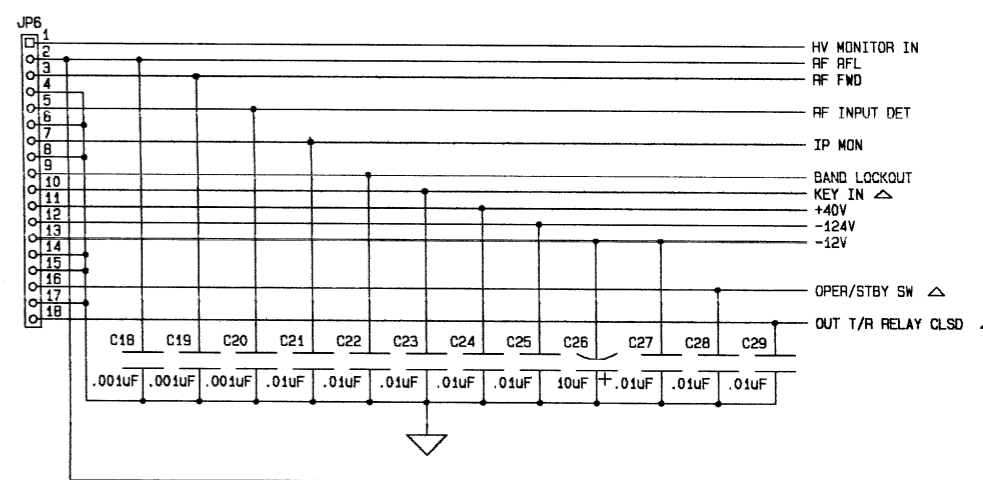
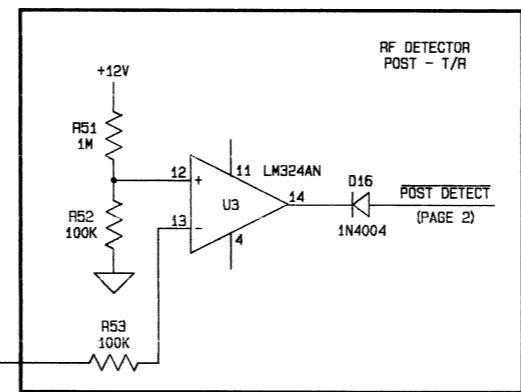
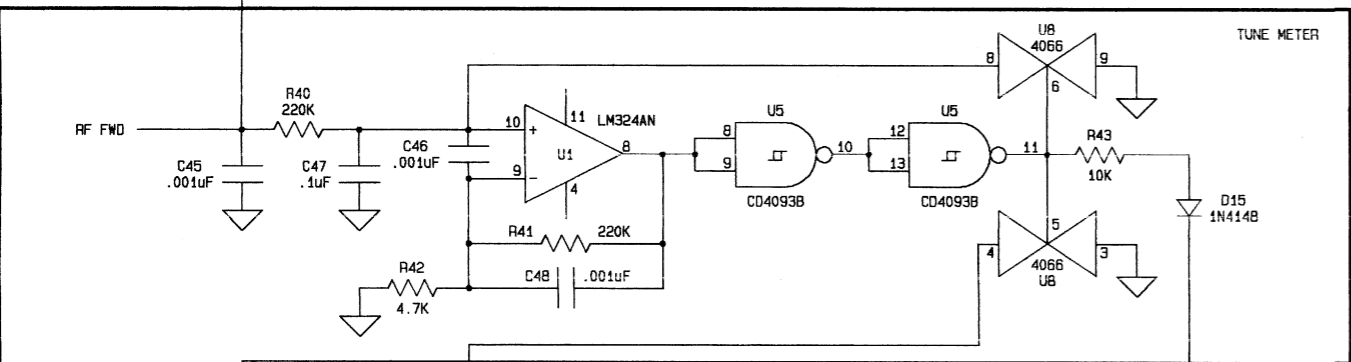
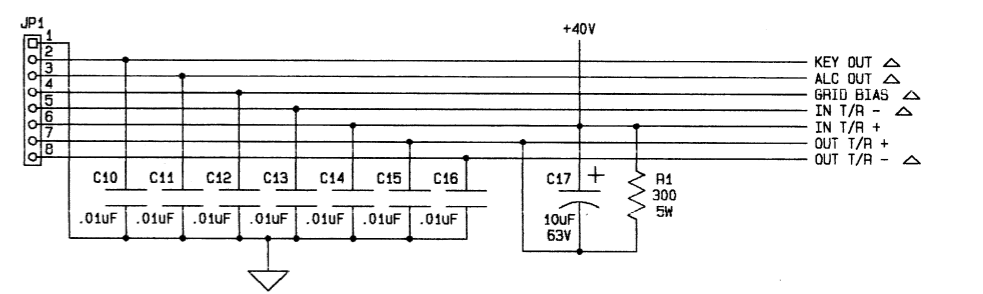
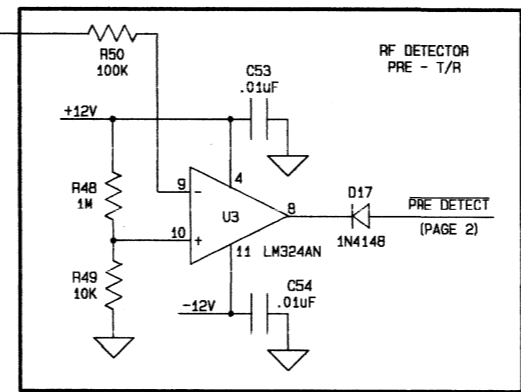
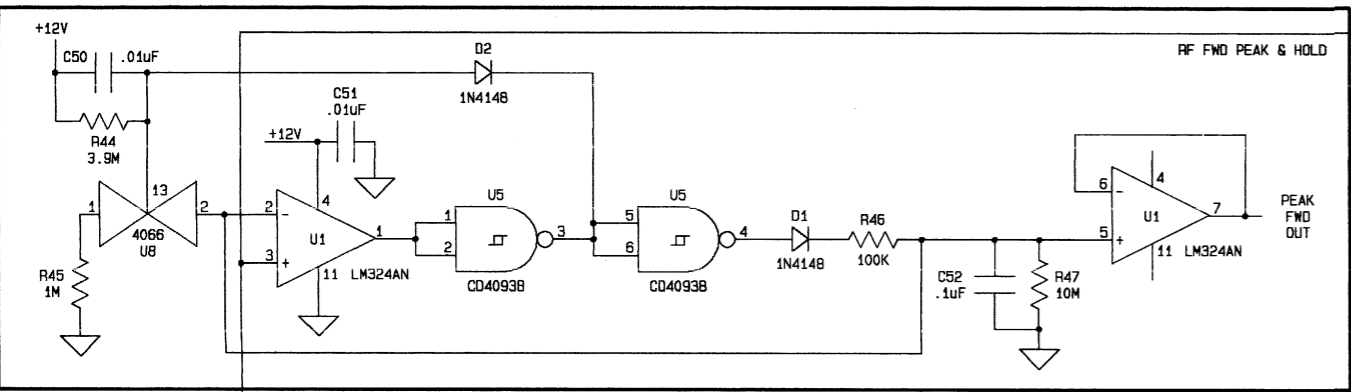
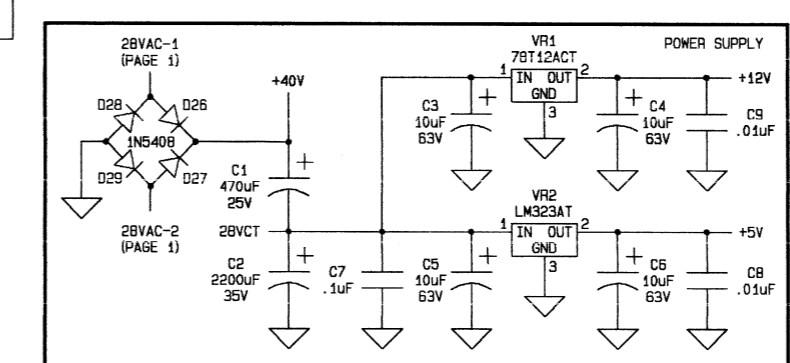
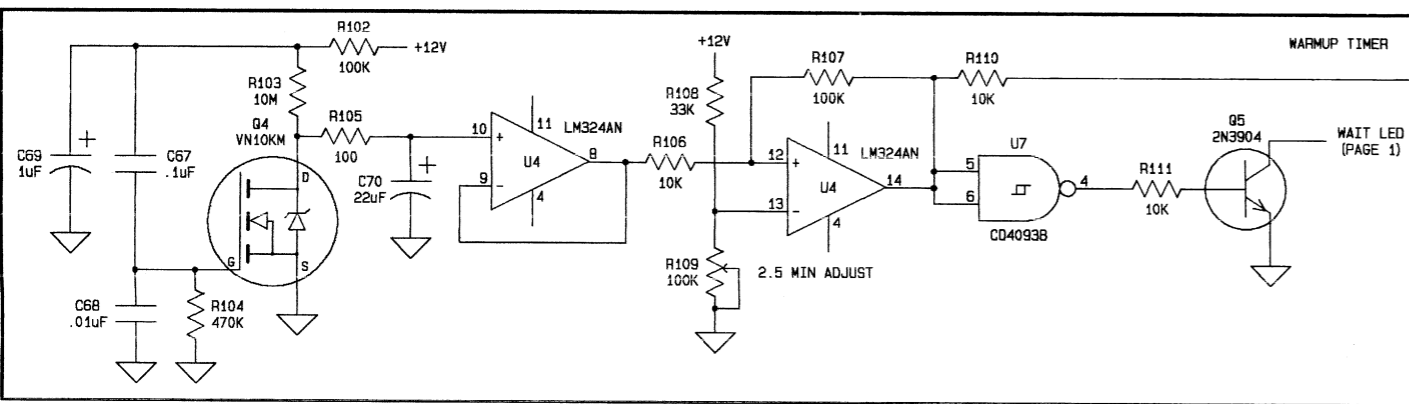
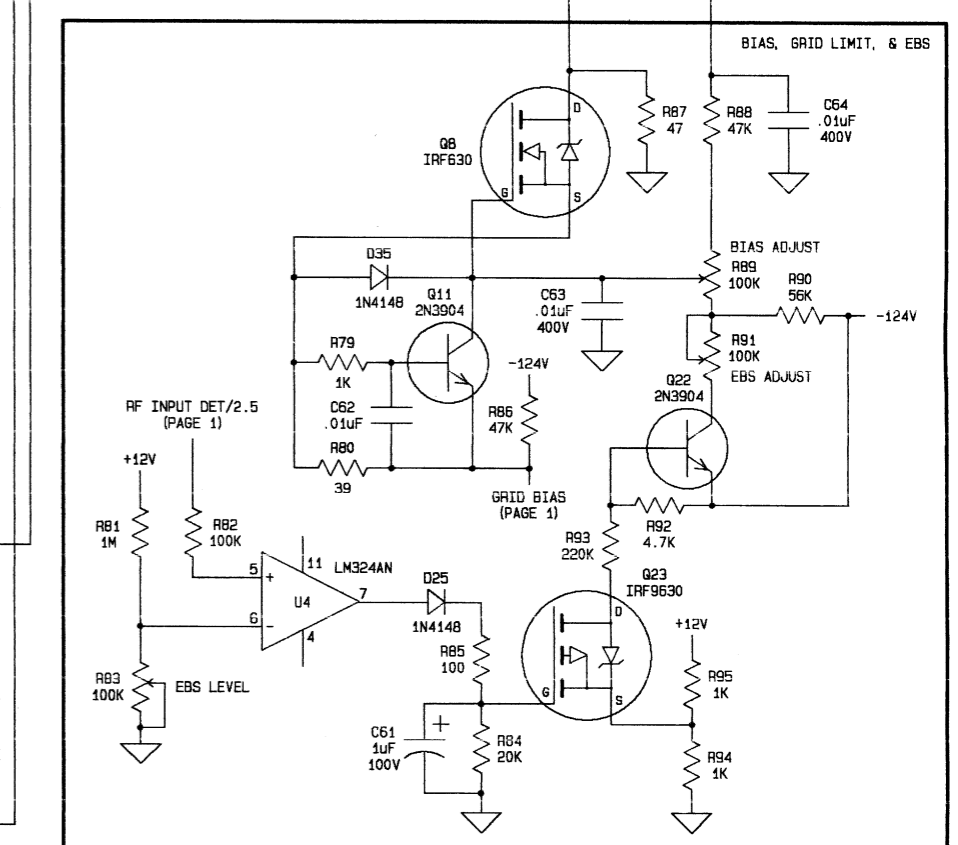
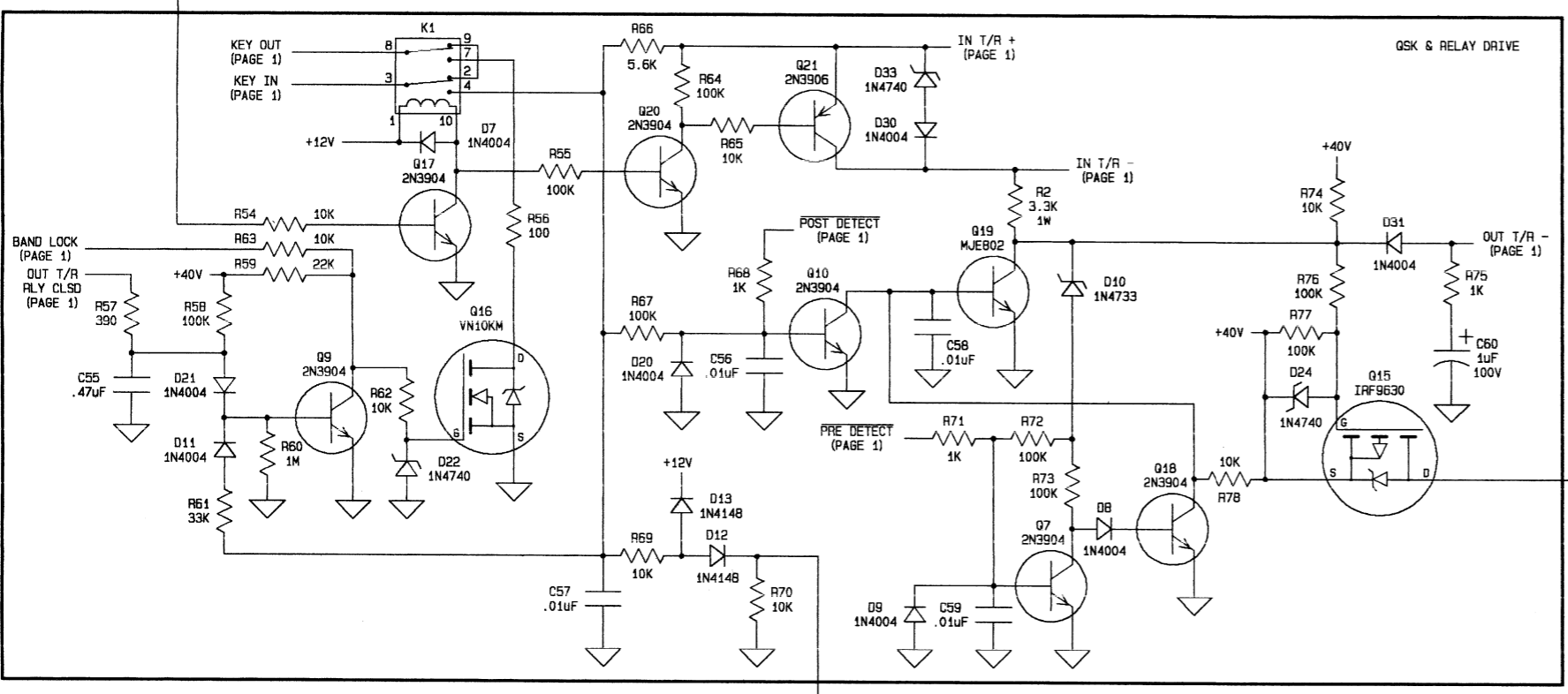
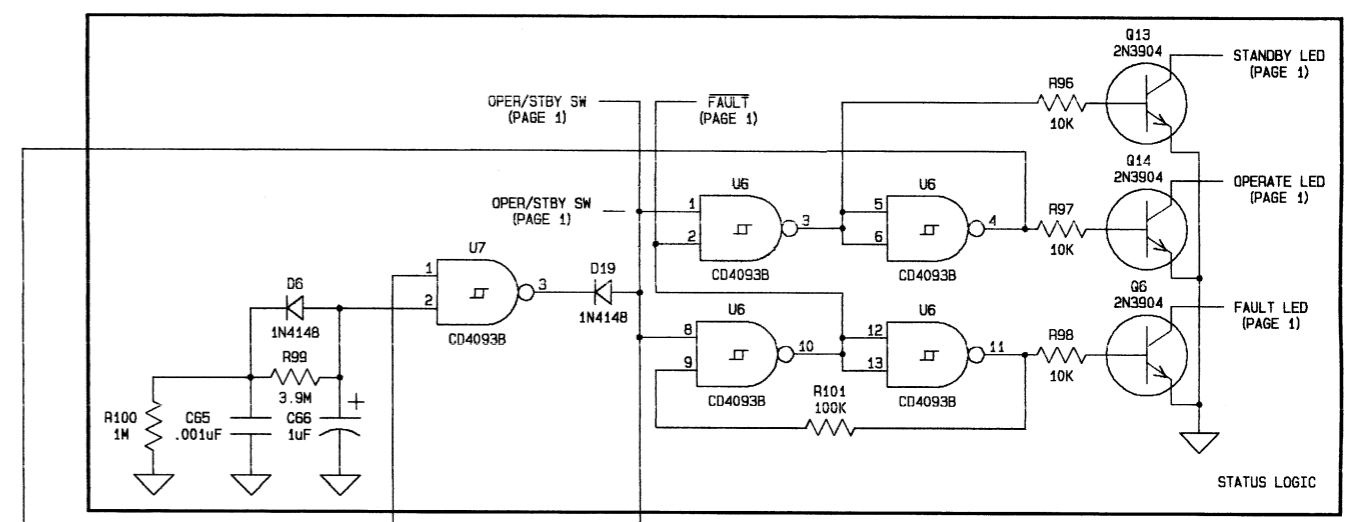
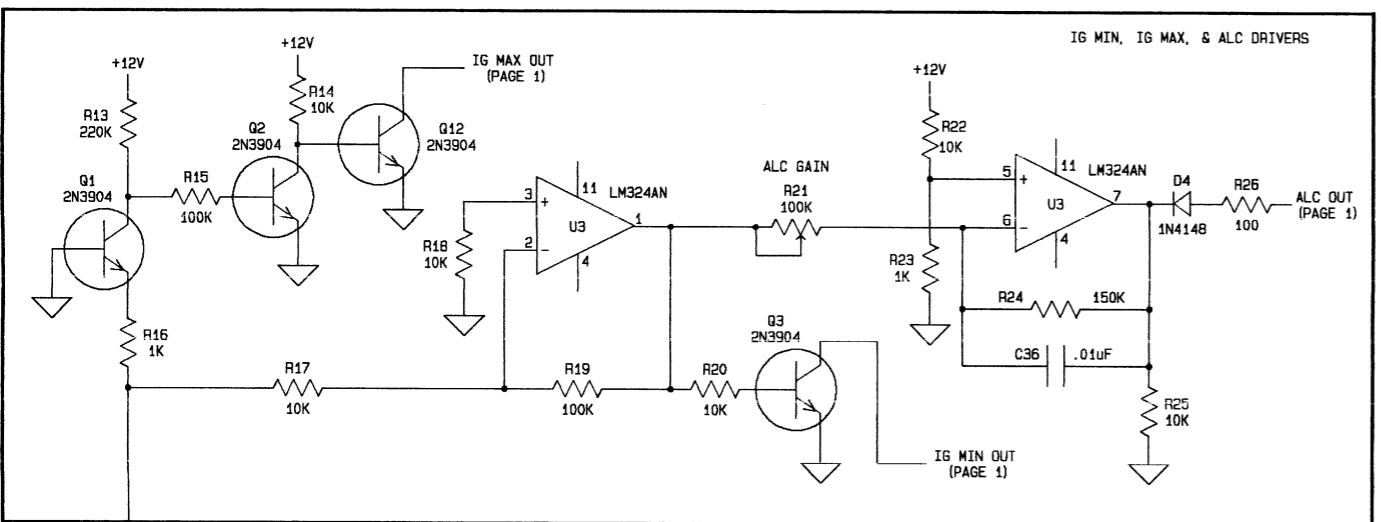


FIGURE 7
ALPHA 99
CONTROL BOARD
ABX-X401
 Page 1 of 2



**FIGURE 7
ALPHA 99
CONTROL BOARD
ABX-X401
Page 2 of 2**

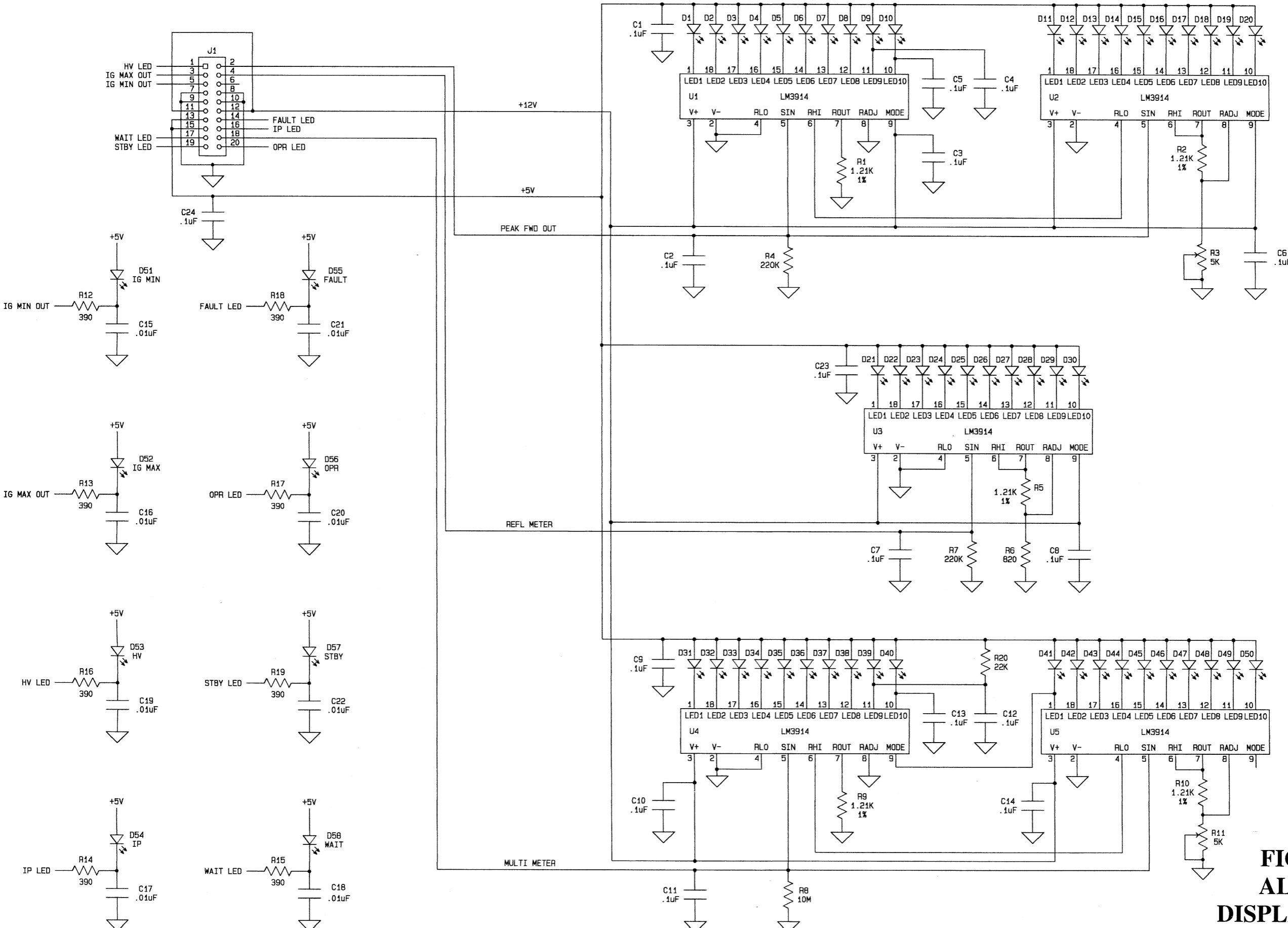


FIGURE 8
ALPHA 99
DISPLAY BOARD
ABX-X400

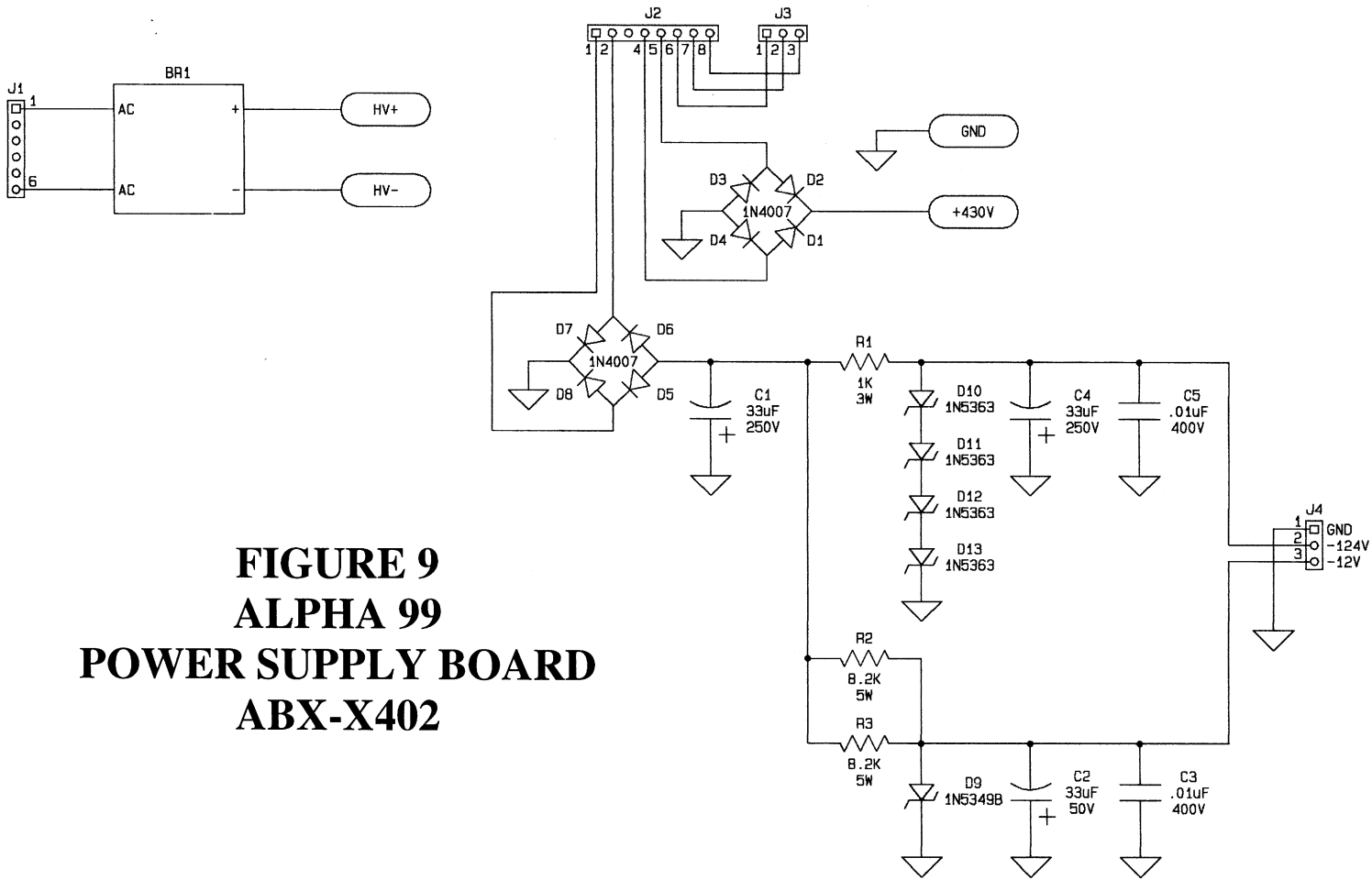
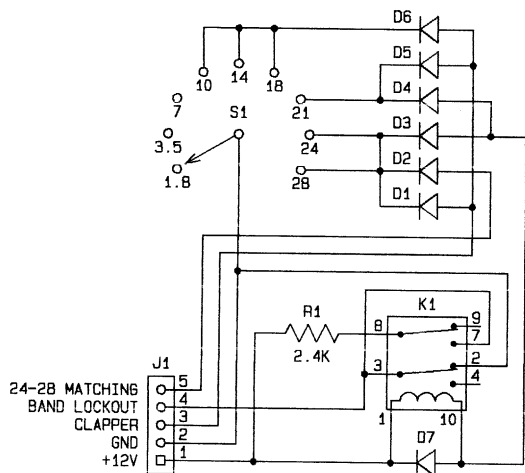


FIGURE 9
ALPHA 99
POWER SUPPLY BOARD
ABX-X402



NOTE: ALL DIODES ARE 1N4004

FIGURE 10
ALPHA 99
SWITCH MATRIX BOARD
ABX-X409

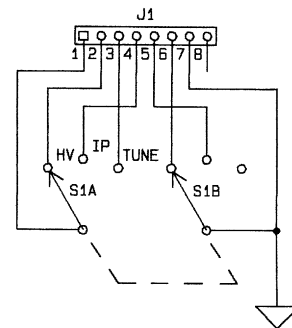


FIGURE 11
ALPHA 99
MULTIMETER SWITCH

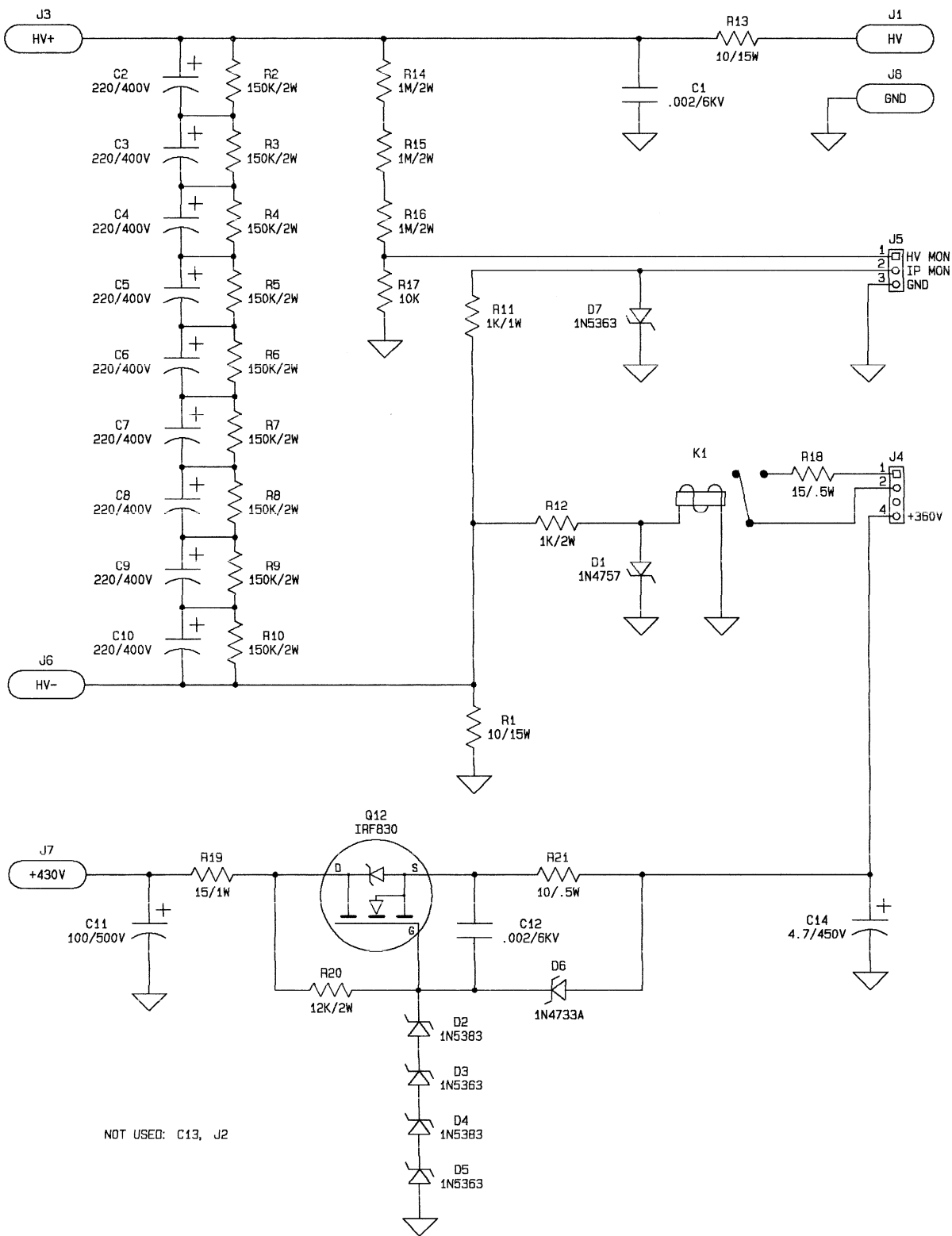


FIGURE 12
ALPHA 99 HV FILTER
& SCREEN SUPPLY BOARD
ABX-X403

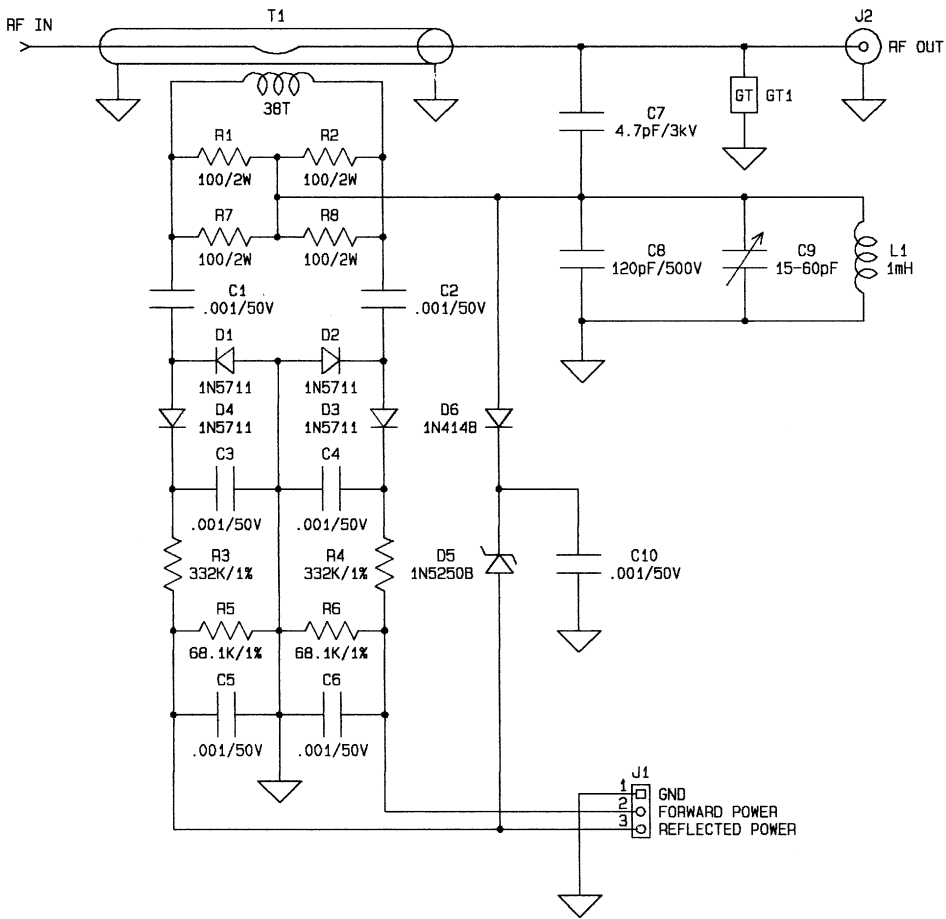


FIGURE 14
ALPHA 99 OUTPUT
RF WATTMETER
ABX-X410