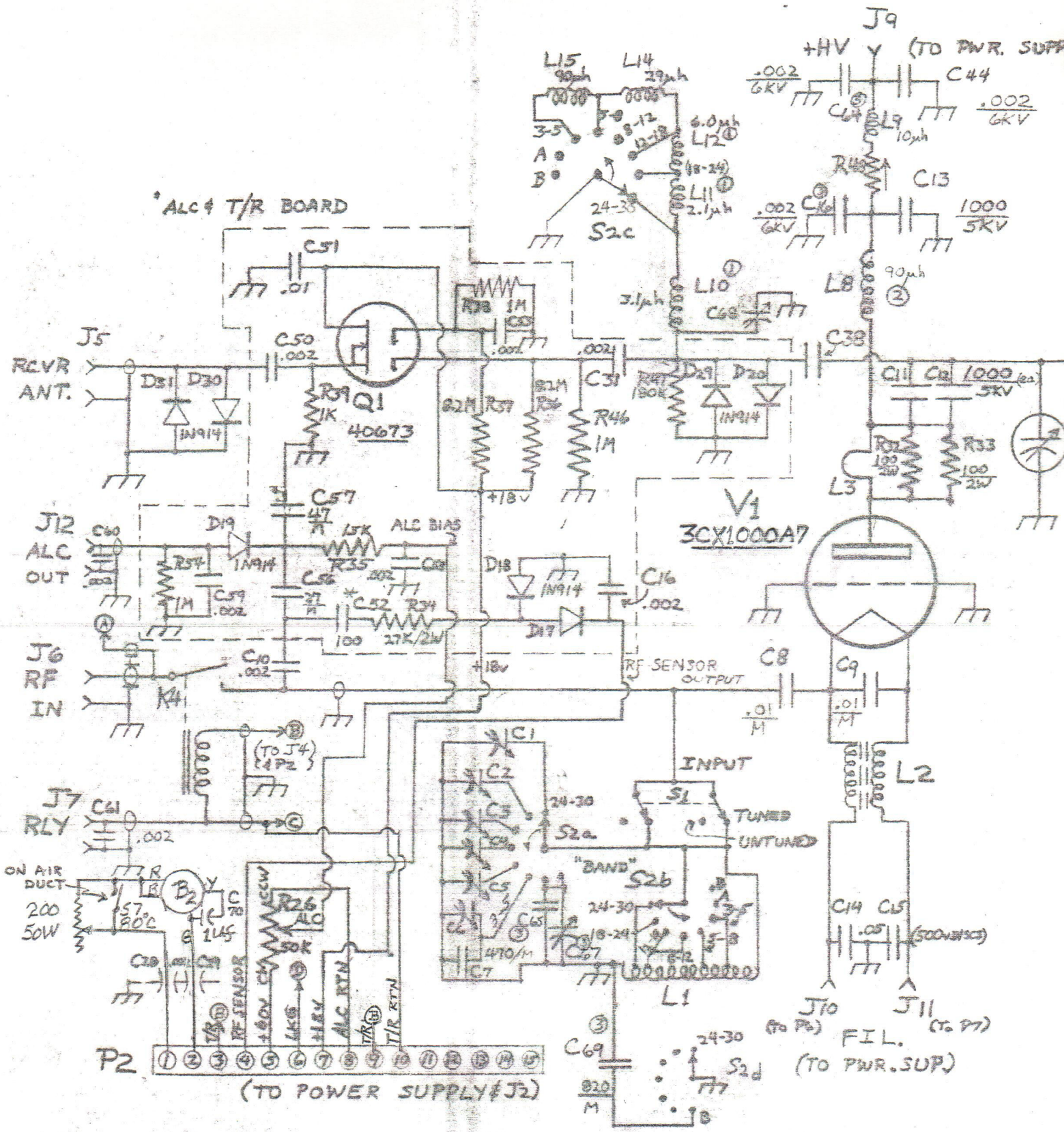


ALC & T/R BOARD



P2 (TO POWER SUPPLY & J2)

J10 (To P2) FIL. (TO PWR. SUP)

J9 +HV Y (TO PWR. SUPP)

J5 RCVR ANT.

J12 ALC OUT

J6 RF IN

J7 RLY

ON AIR DUCT 200 50W

C69 0.01 M

C44 .002 6KV

C13 1000 5KV

V1 3CX1000A7

Q1 400673

C51 .01

C50 .002

C57 47

C59 .002

C10 .002

C61 .002

C20

C26 50K

C27 470/M

C69 0.01 M

R39 1K

R35 15K

R34 27K/2W

R33 100

R32 100

R31 100

R26 50K

R25 1K

R24 100

R27 82M

R28 1M

R29 1M

R20 100

R19 100

R18 100

R17 100

R16 100

R15 100

L15 30µh

L14 29µh

L12 6.0µh

L11 2.1µh

L10 3.1µh

L9 10µh

L8 90µh

L7 100

L6 100

L5 100

L4 100

L3 100

L2 100

L1 100

L0 100

L-1 100

L-2 100

L-3 100

L12 6.0µh

L11 2.1µh

L10 3.1µh

L9 10µh

L8 90µh

L7 100

L6 100

L5 100

L4 100

L3 100

L2 100

L1 100

L0 100

L-1 100

L-2 100

L-3 100

L-4 100

L-5 100

C44 .002 6KV

C43 .002 6KV

C42 .002 6KV

C41 .002 6KV

C40 .002 6KV

C39 .002 6KV

C38 .002 6KV

C37 .002 6KV

C36 .002 6KV

C35 .002 6KV

C34 .002 6KV

C33 .002 6KV

C32 .002 6KV

C31 .002 6KV

C30 .002 6KV

C29 .002 6KV

C28 .002 6KV

C27 .002 6KV

C44 .002 6KV

C43 .002 6KV

C42 .002 6KV

C41 .002 6KV

C40 .002 6KV

C39 .002 6KV

C38 .002 6KV

C37 .002 6KV

C36 .002 6KV

C35 .002 6KV

C34 .002 6KV

C33 .002 6KV

C32 .002 6KV

C31 .002 6KV

C30 .002 6KV

C29 .002 6KV

C28 .002 6KV

C27 .002 6KV

C44 .002 6KV

C43 .002 6KV

C42 .002 6KV

C41 .002 6KV

C40 .002 6KV

C39 .002 6KV

C38 .002 6KV

C37 .002 6KV

C36 .002 6KV

C35 .002 6KV

C34 .002 6KV

C33 .002 6KV

C32 .002 6KV

C31 .002 6KV

C30 .002 6KV

C29 .002 6KV

C28 .002 6KV

C27 .002 6KV

NOTES:

- ① BANDSWITCH SHOWN IN 24-30MHz Pos'n
- ② VALUE DIFFERS IF 1.8-2.0MHz KIT INSTALLED
- ③ COMPONENTS PART OF 1.8-2.0 MHz KIT

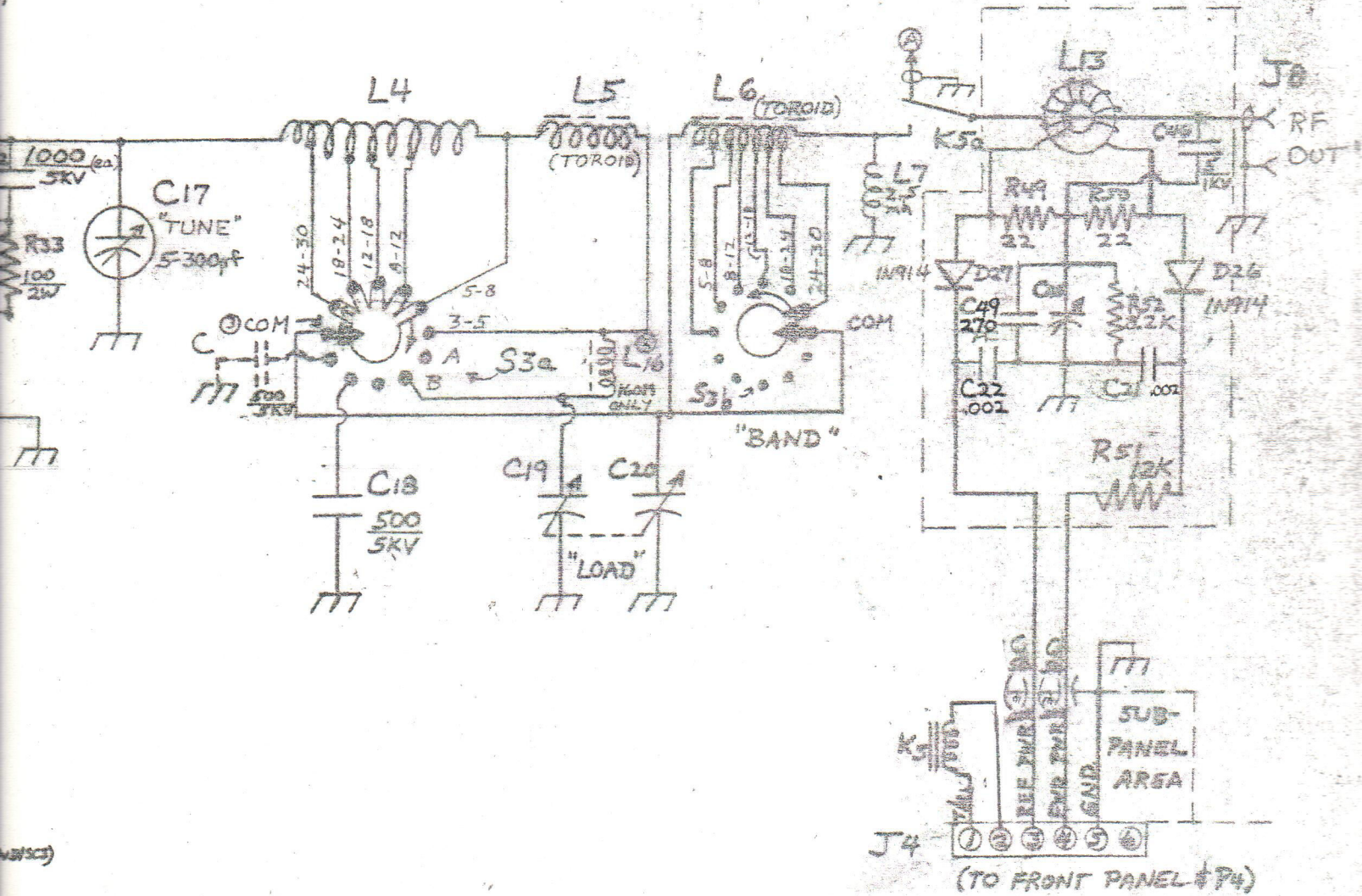
PWR. SUPPLY)

C44

7 $\frac{.002}{6KV}$

1000
5KV

7

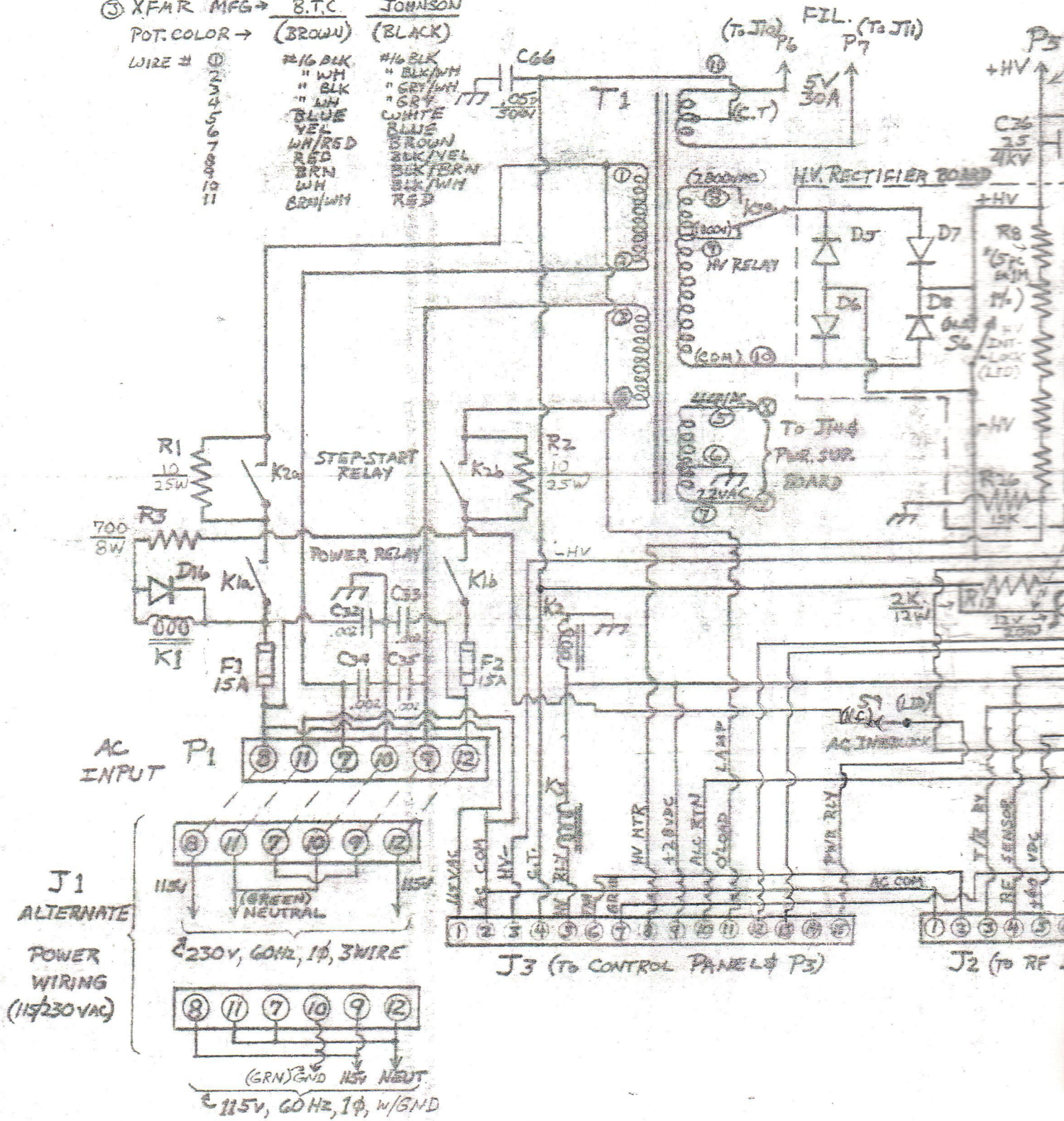


MODEL PA70-A—SCHEMATIC (RF MODULE)	REV. 11-6-70 <i>Dok</i>
	Rev. 9/24/71 <i>[Signature]</i>
EHRHORN TECHNOLOGICAL OPERATIONS, INC. BROOKSVILLE, FLORIDA 33512	

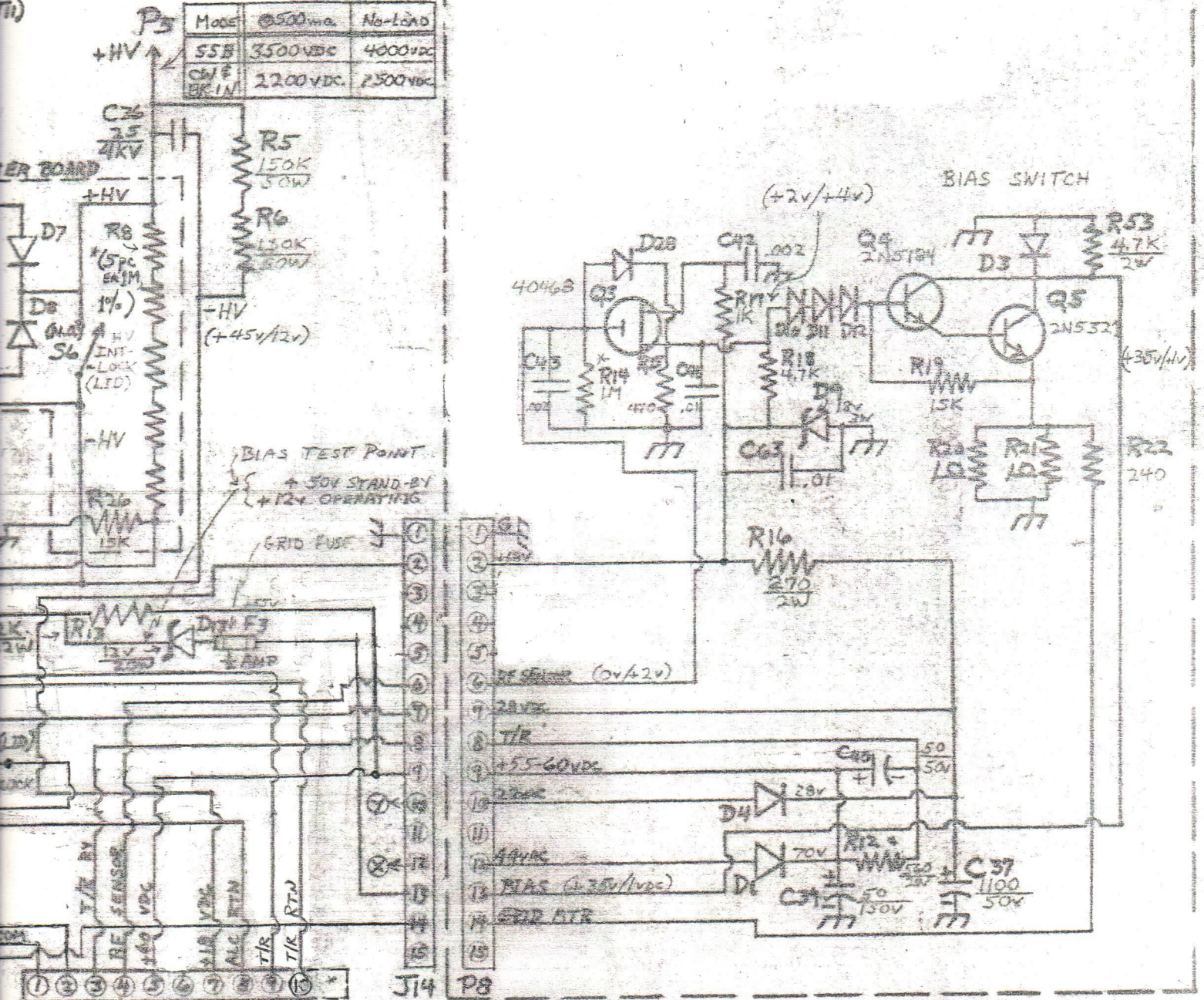
- ① ALL RESISTORS $\frac{1}{2}$ WATT UNLESS NOTED
- ② ALL DECIMAL CAPACITORS 1000V DISC UNLESS NOTED
- ③ XFMR MFG \rightarrow B.T.C. JOHNSON

POT. COLOR \rightarrow (BROWN) (BLACK)

WIRE #	B.T.C.	JOHNSON
1	#16 BLK	#16 BLK
2	" WH	" BLK/WH
3	" BLK	" GRY/WH
4	" WH	" GRY
5	BLUE	WHITE
6	YEL	BLU
7	WH/RED	BROWN
8	RED	BLK/VEL
9	BRN	BLK/BRN
10	WH	BLK/WH
11	GRY/WH	RED

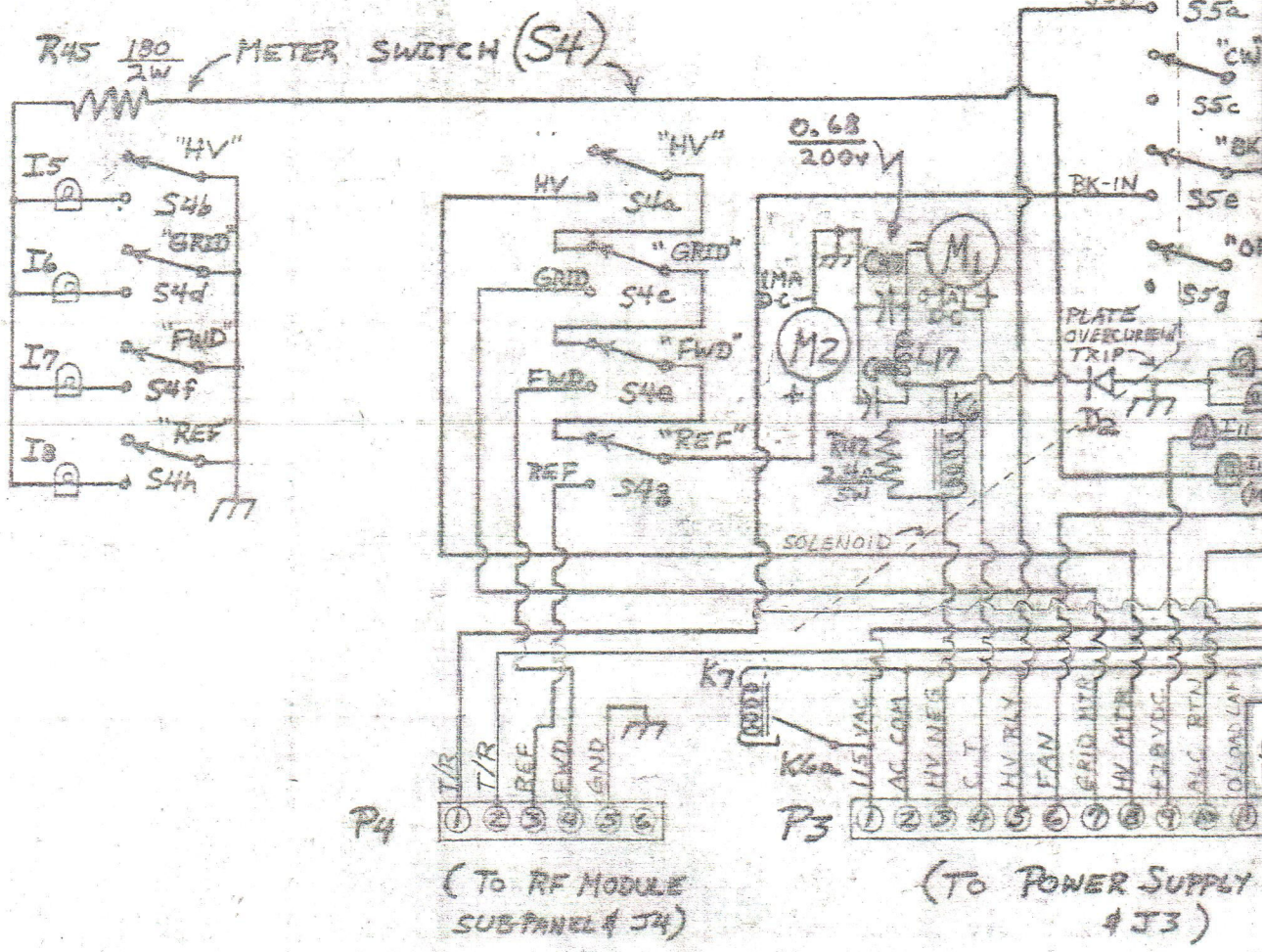


POWER SUPPLY BOARD

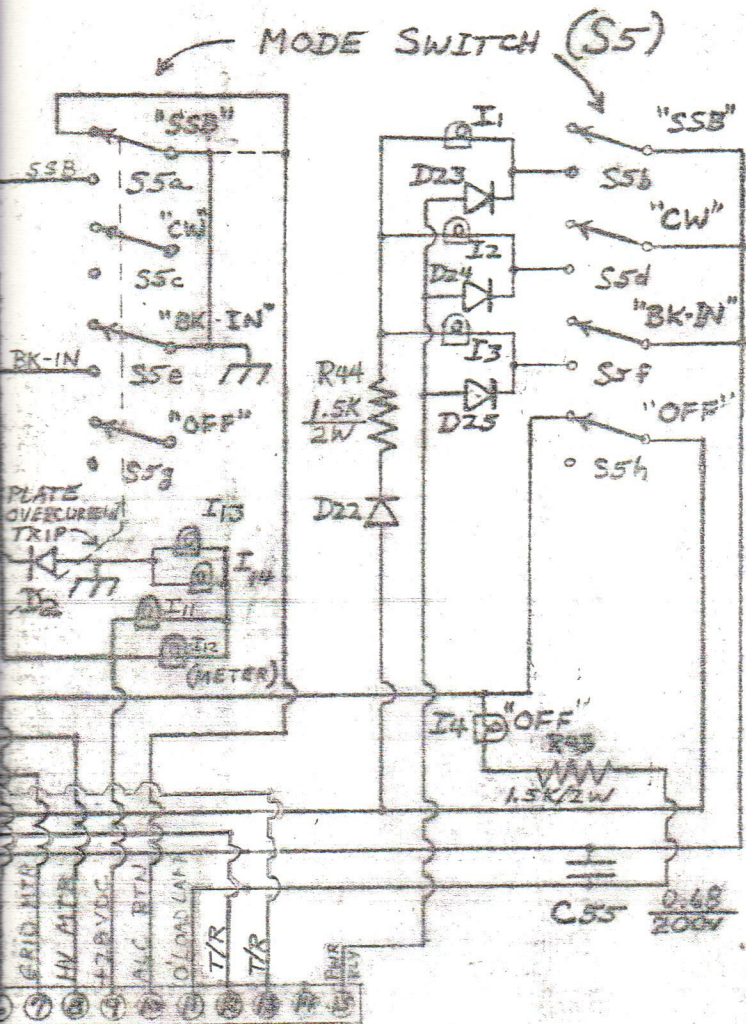


J2 (TO REF SECT. # P2) *PINS 11-15 NOT USED

MODEL PA70-A - SCHEMATIC - POWER SUPPLY MODULE -		Rev. 11-7-70	RWB
		" 1-20-71	RWB
		" 9-30-71	RWB
EHRHORN TECHNOLOGICAL OPERATIONS, INC. BROOKSVILLE, FLORIDA 33512			



NOTES:



POWER SUPPLY MODULE
(4 J3)

MODEL PATO-A-SCHEMATIC — CONTROL PANEL —	Rev. 11-9-70	<i>PJE</i>
	" 1-20-71	<i>PJE</i>
	" 9/25/71	<i>PJE</i>
EHRHORN TECHNOLOGICAL OPERATIONS, INC. BROOKSVILLE, FLORIDA 33512		