

Outside

ALPHA

BLUE/W
BLUE

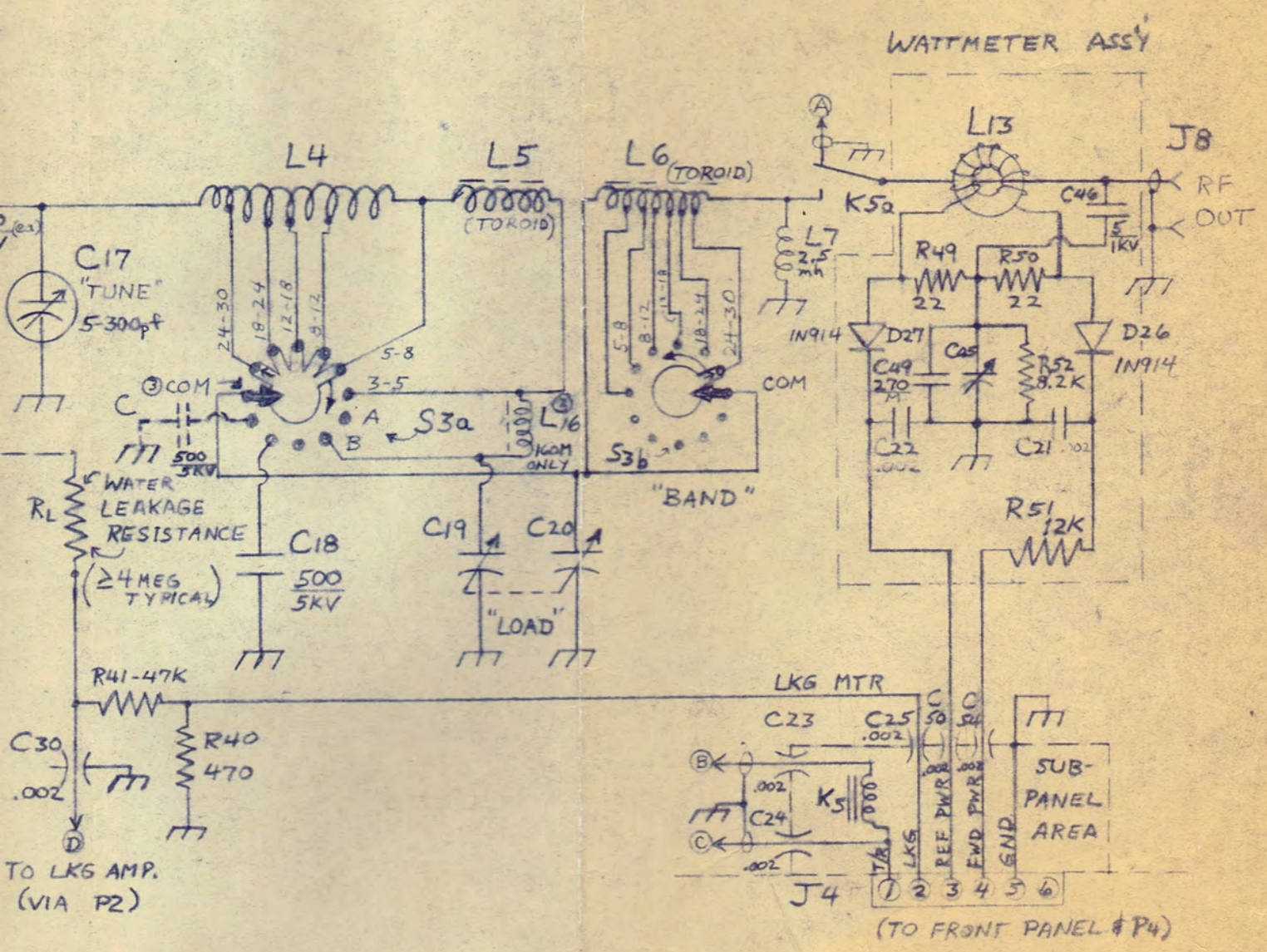
C30
.002
TO LAMP
(VIA

SUPPLY)

22
V

NOTES:

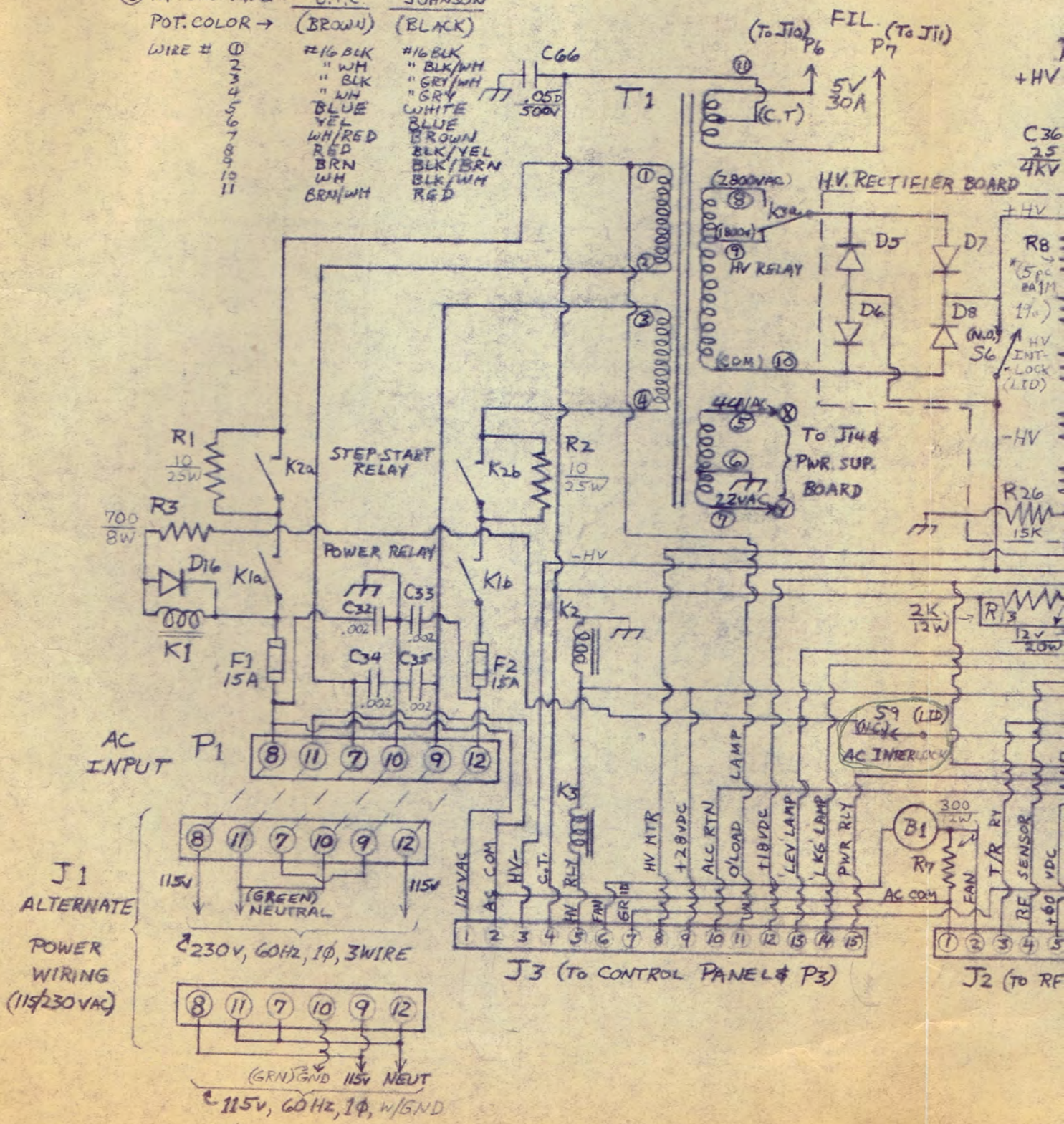
- ① BANDSWITCH SHOWN IN 24-30 MHz Pos'n
- ② VALUE DIFFERS IF 1.8-2.0 MHz KIT INSTALLED
- ③ COMPONENTS PART OF 1.8-2.0 MHz KIT



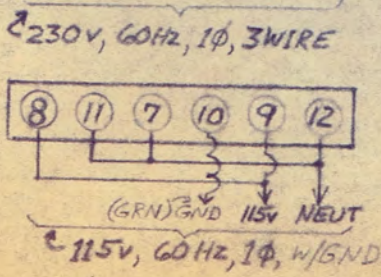
MODEL PA70-V - SCHEMATIC (RF MODULE)	REV. 11-6-70 <i>Fix</i>
	Rev. 9/24/71 <i>Fix</i>
EHRHORN TECHNOLOGICAL OPERATIONS, INC. BROOKSVILLE, FLORIDA 33512	

- ① ALL RESISTORS $\frac{1}{2}$ WATT UNLESS NOTED
- ② ALL DECIMAL CAPACITORS 1000V DISC UNLESS NOTED
- ③ XFMR MFG \rightarrow B.T.C JOHNSON

POT. COLOR \rightarrow	(BROWN)	(BLACK)
WIRE # ①	#16 BLK	#16 BLK
2	" WH	" BLK/WH
3	" BLK	" GRY/WH
4	" WH	" GRY
5	BLUE	WHITE
6	YEL	BLUE
7	WH/RED	BROWN
8	RED	BLK/YEL
9	BRN	BLK/BRN
10	WH	BLK/WH
11	BRN/WH	RED



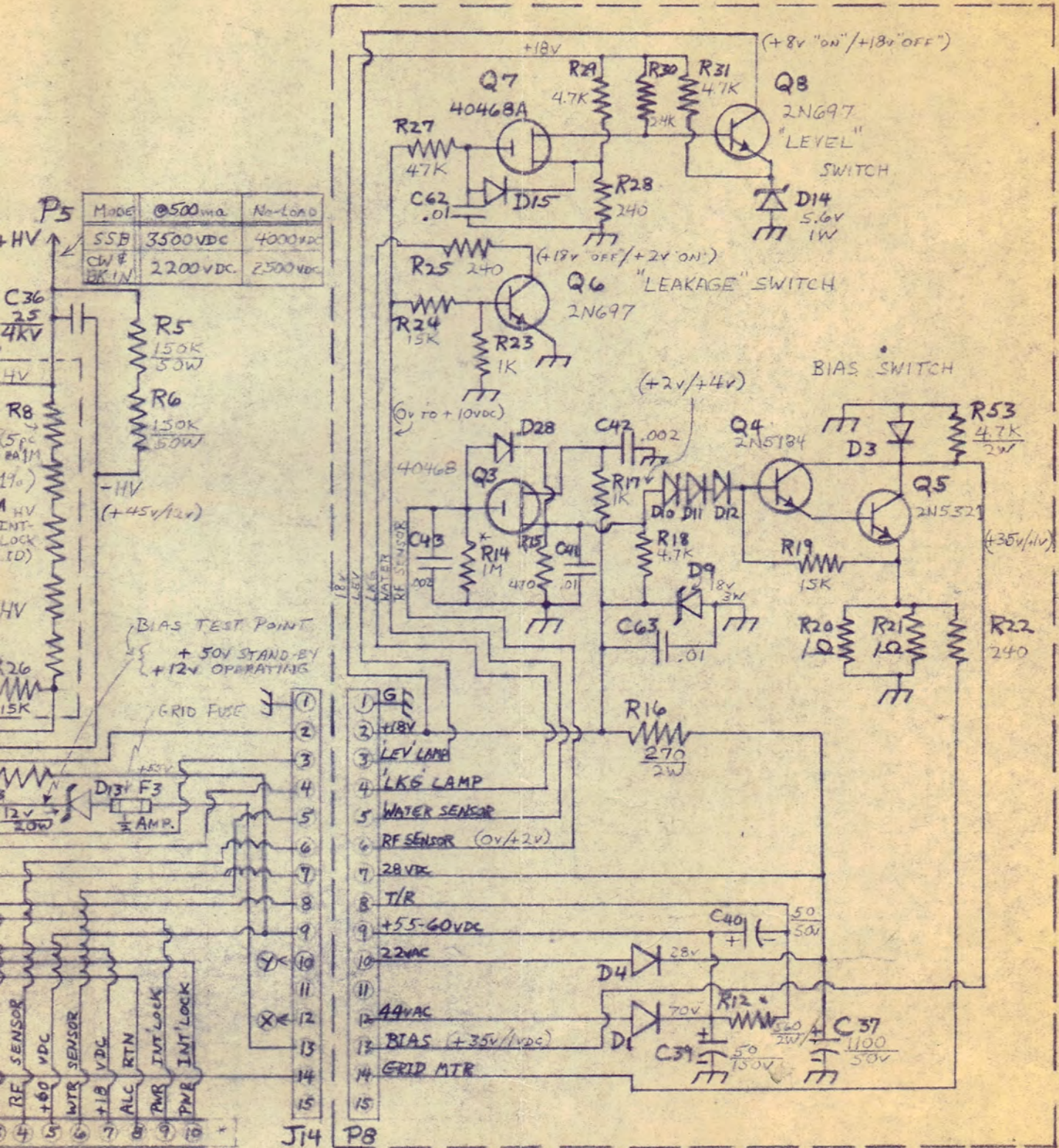
J1
ALTERNATE
POWER
WIRING
(115/230 VAC)



J3 (TO CONTROL PANEL & P3)

J2 (TO REF)

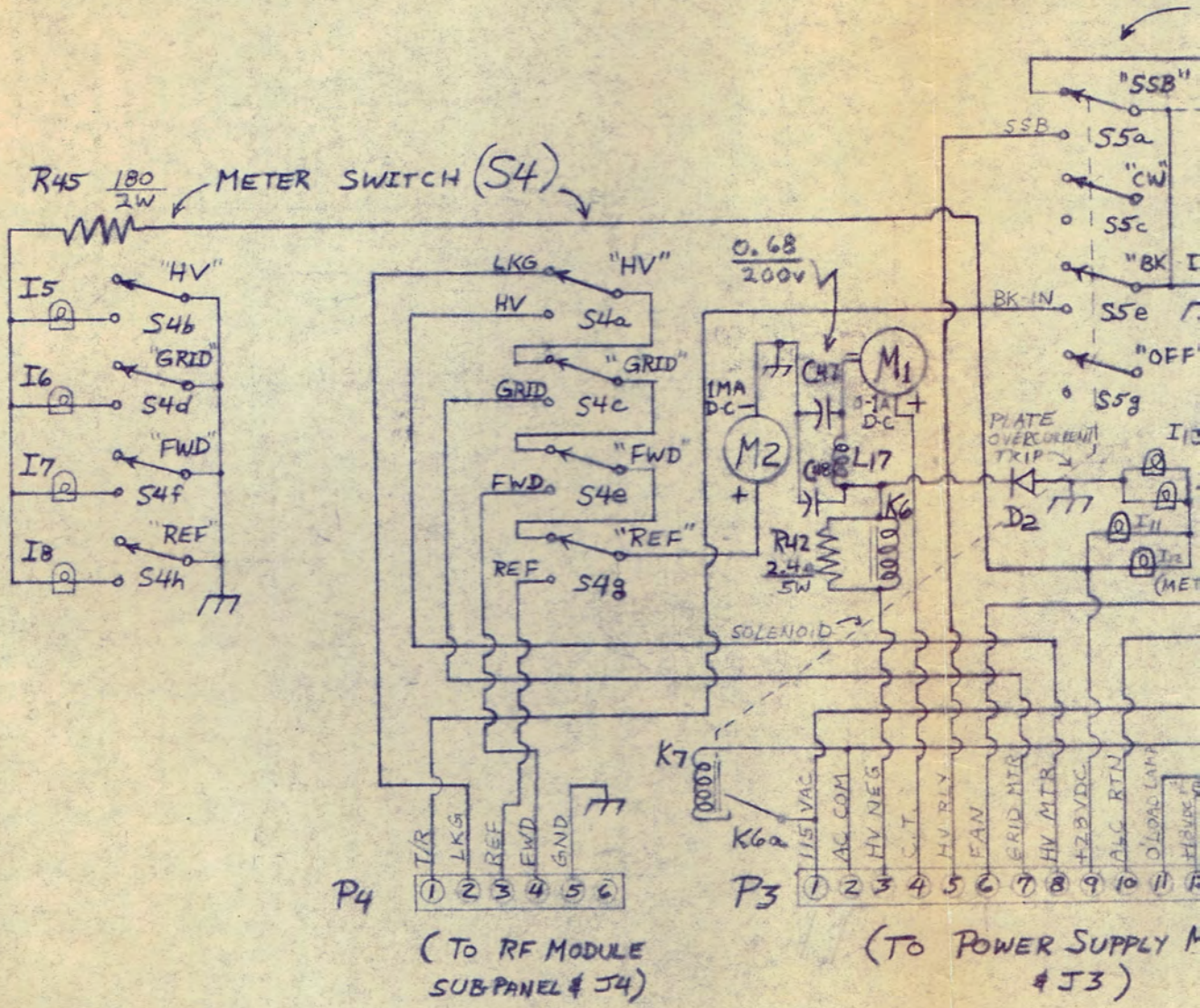
POWER SUPPLY BOARD



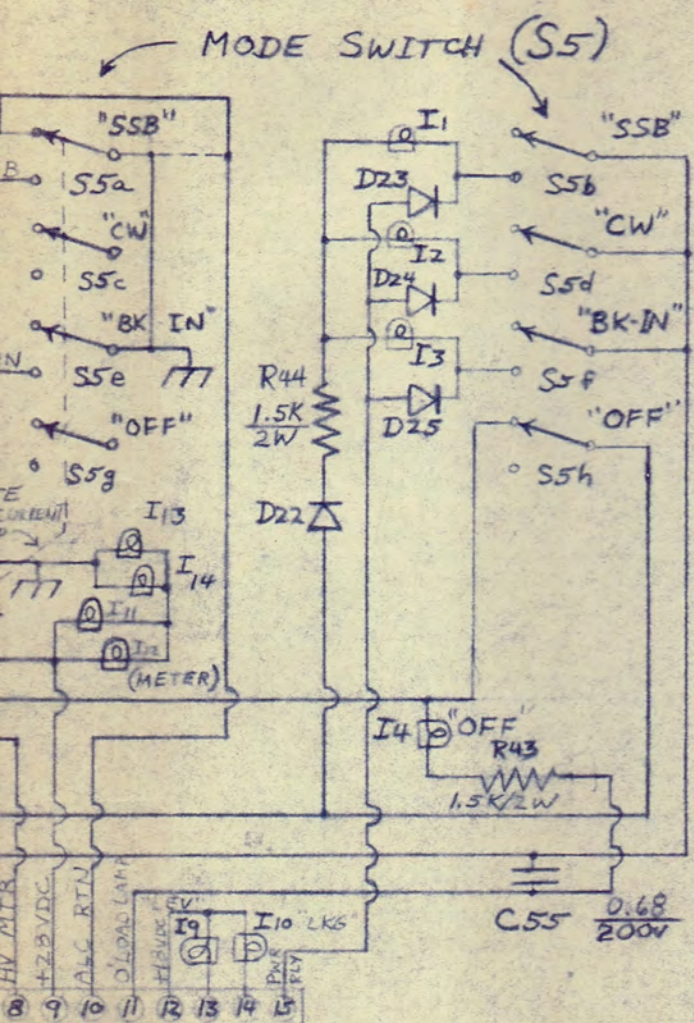
MODEL PA70-V - SCHEMATIC
- POWER SUPPLY MODULE -

Rev. 11-7-70	PLK
" 1-20-71	PLK
" 9-30-71	PLK

EHRHORN TECHNOLOGICAL OPERATIONS, INC.
 BROOKSVILLE, FLORIDA 33512



NOTES:



R SUPPLY MODULE
(J3)

MODEL PATO-V-SCHEMATIC
— CONTROL PANEL —

Rev 11-9-70	RJE
" 1-20-71	RJE
" 9/25/71	RJE

EHRHORN TECHNOLOGICAL OPERATIONS, INC.
BROOKSVILLE, FLORIDA 33512