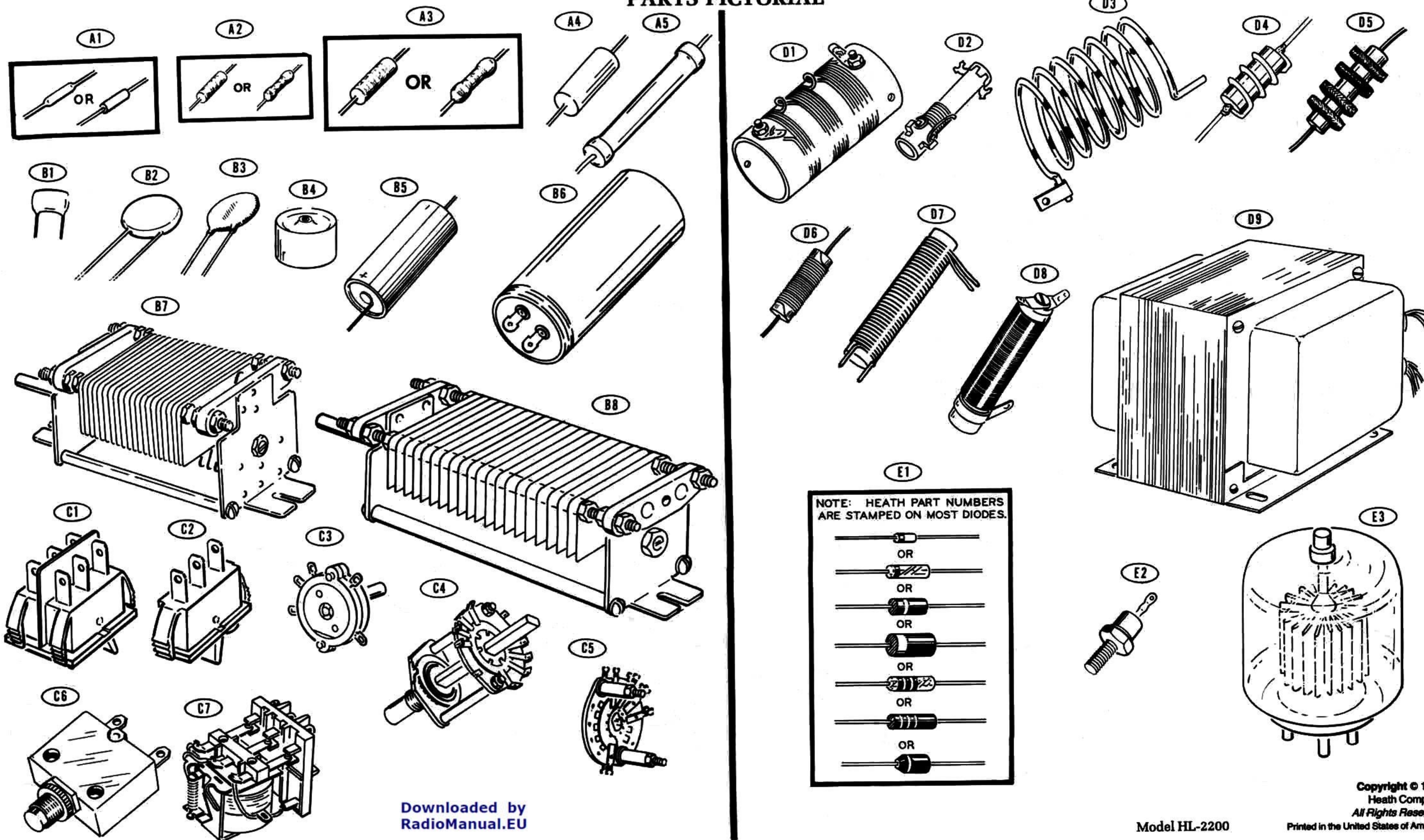
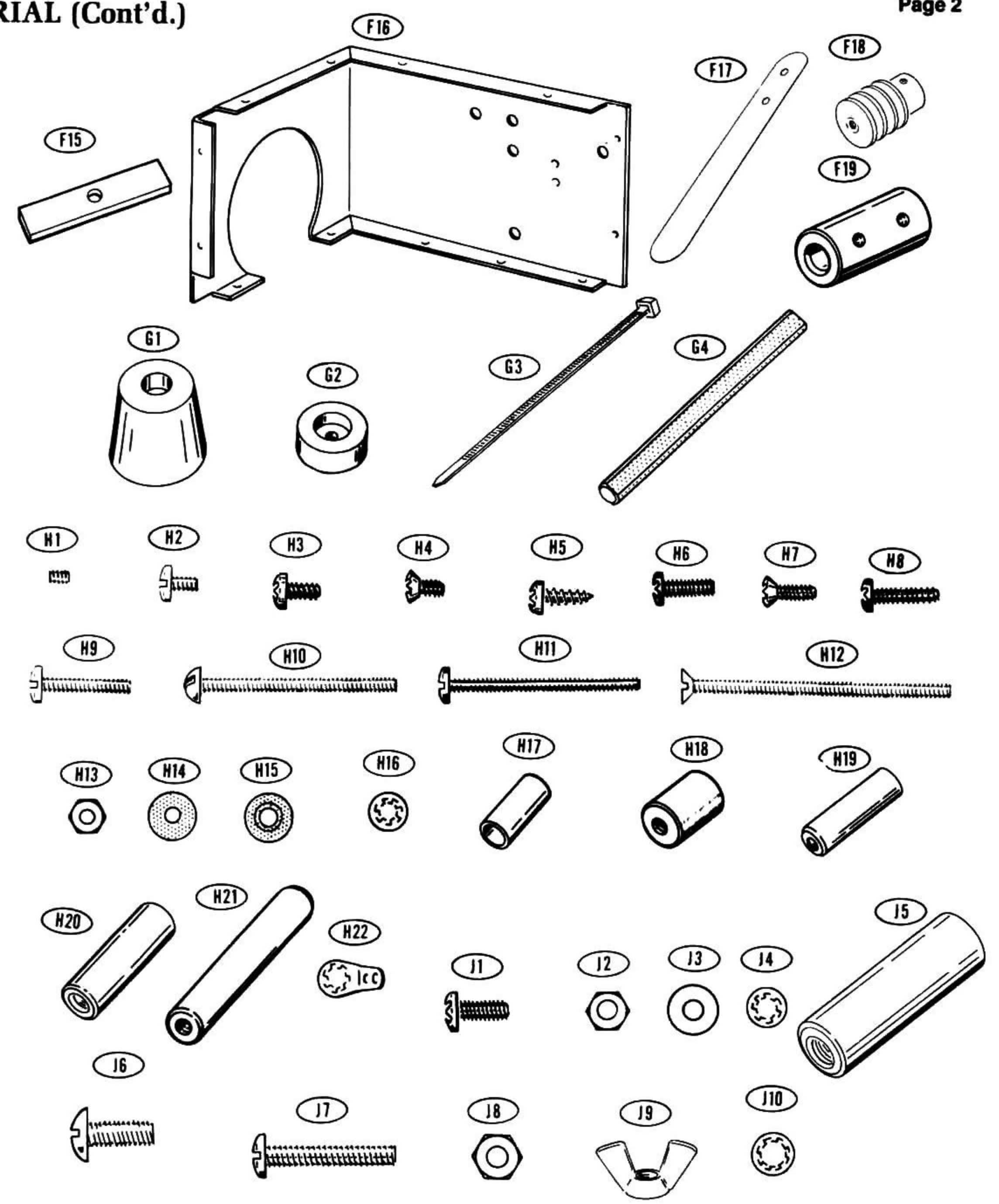
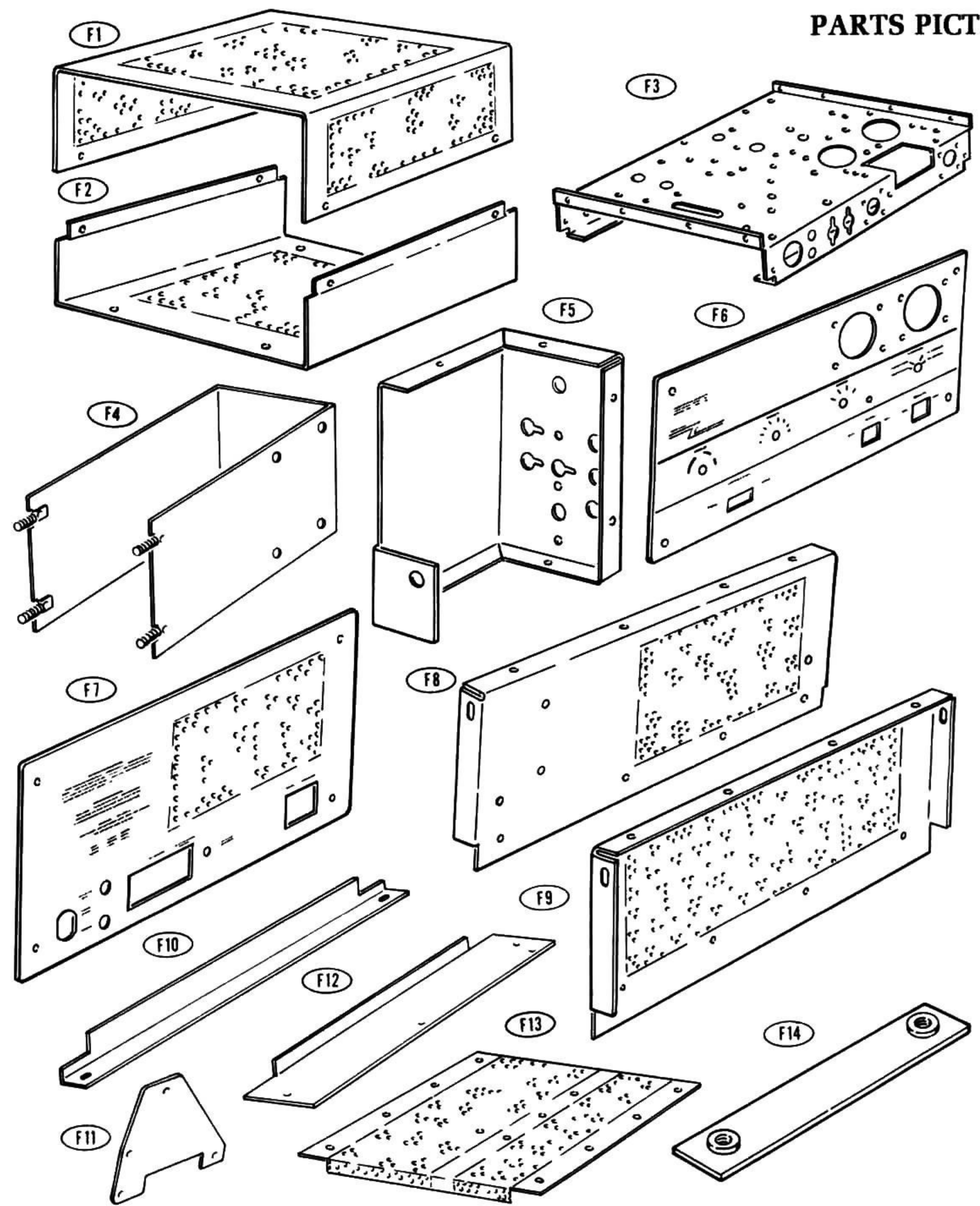


ILLUSTRATION BOOKLET

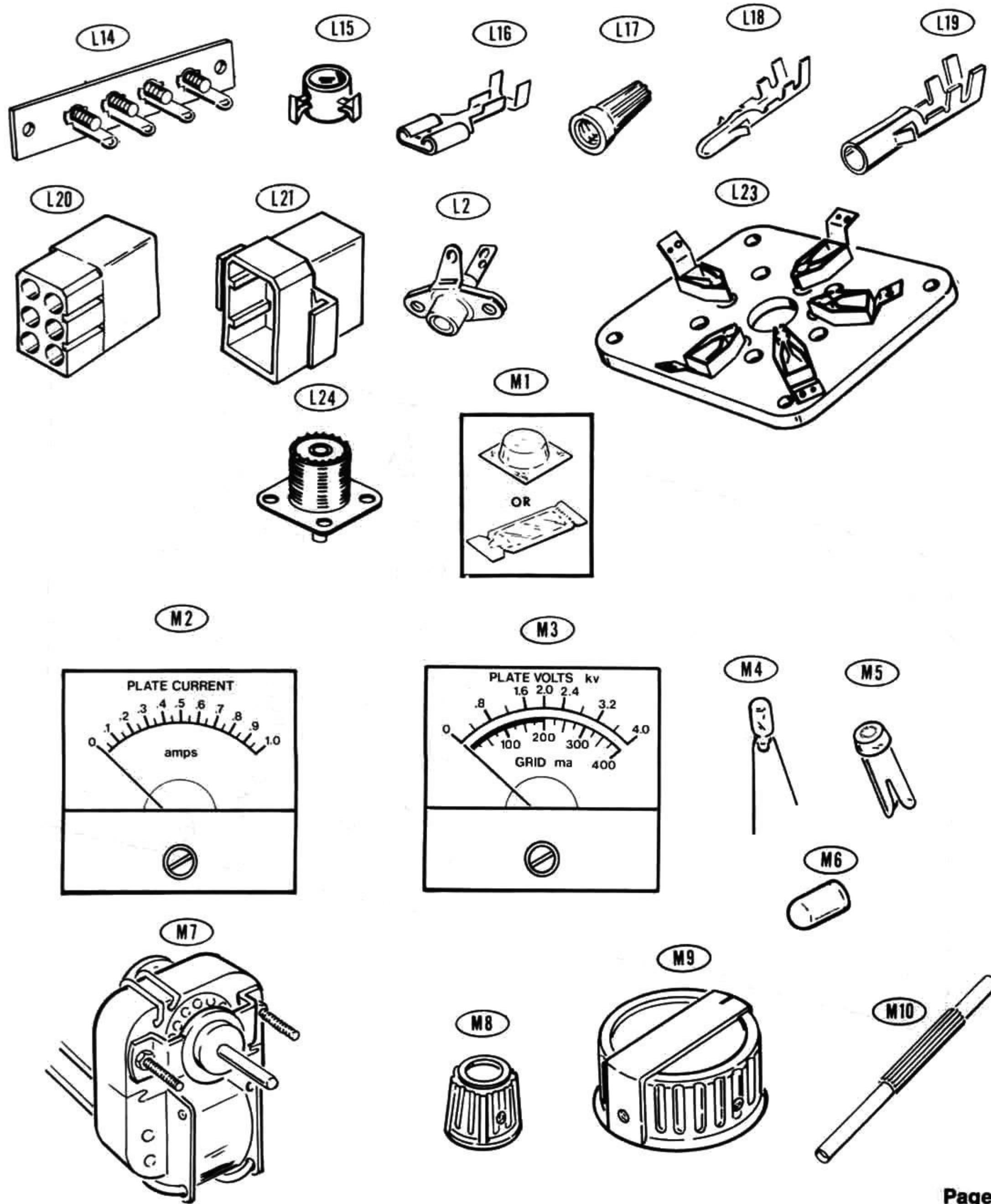
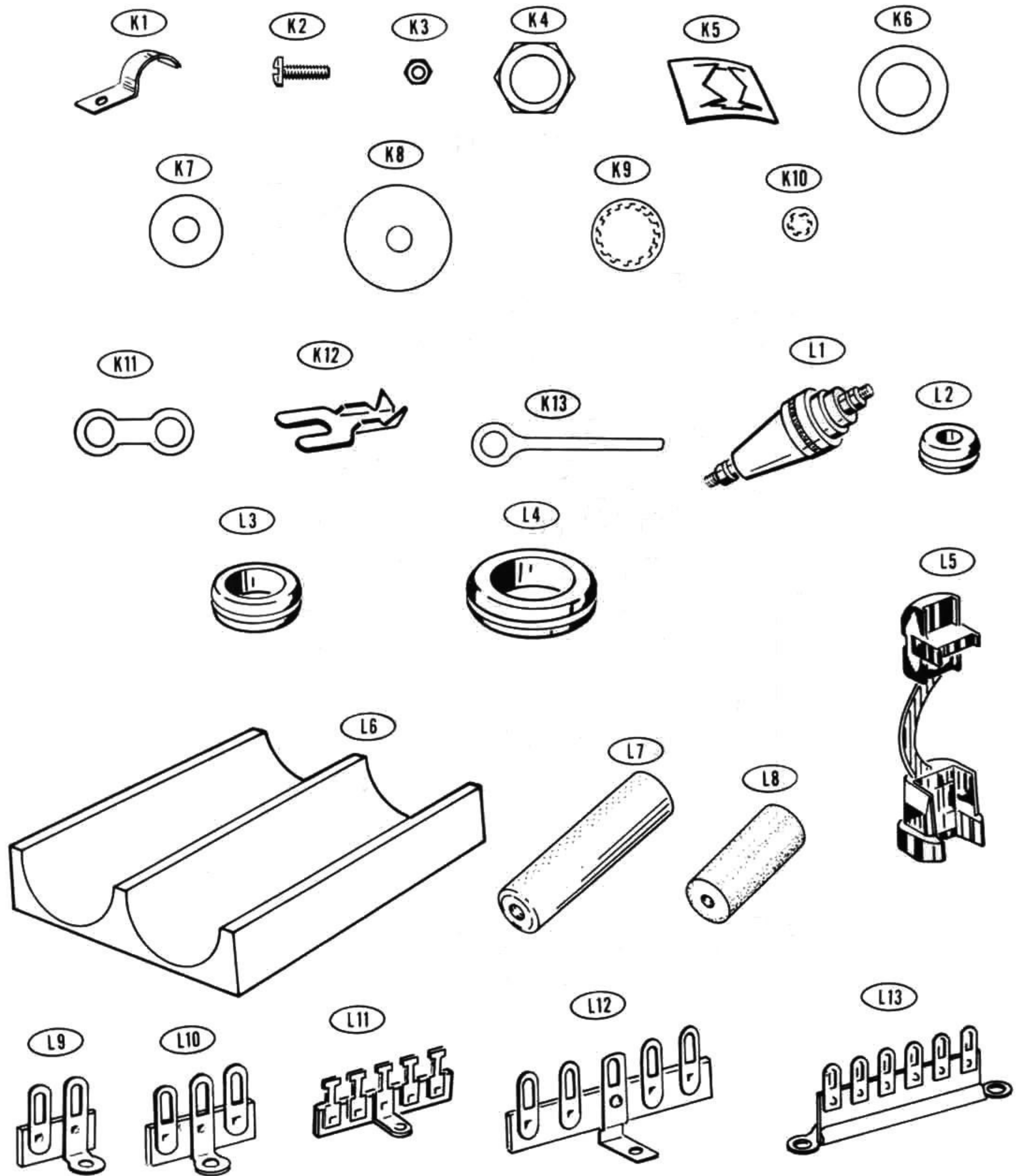
PARTS PICTORIAL

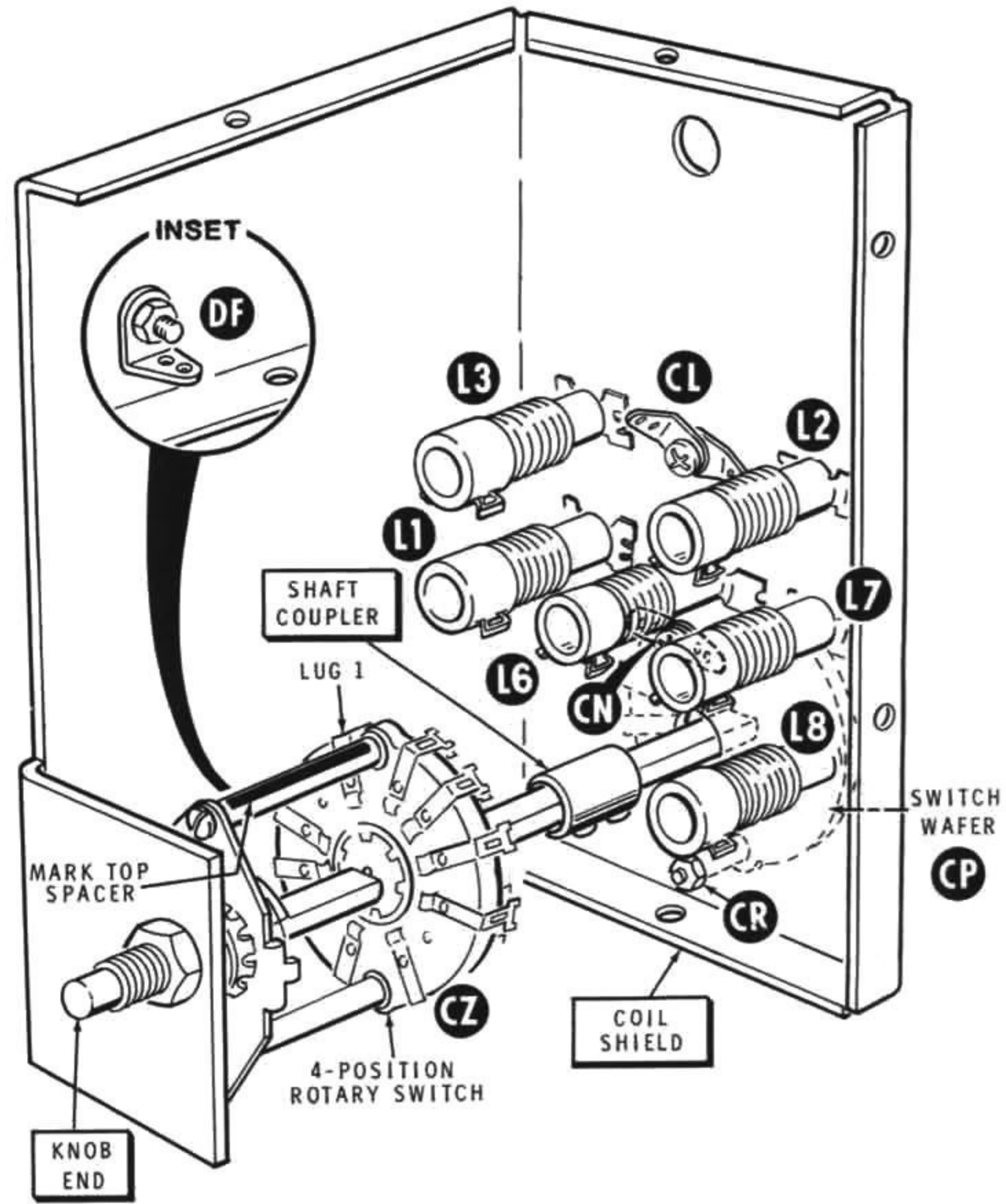


PARTS PICTORIAL (Cont'd.)

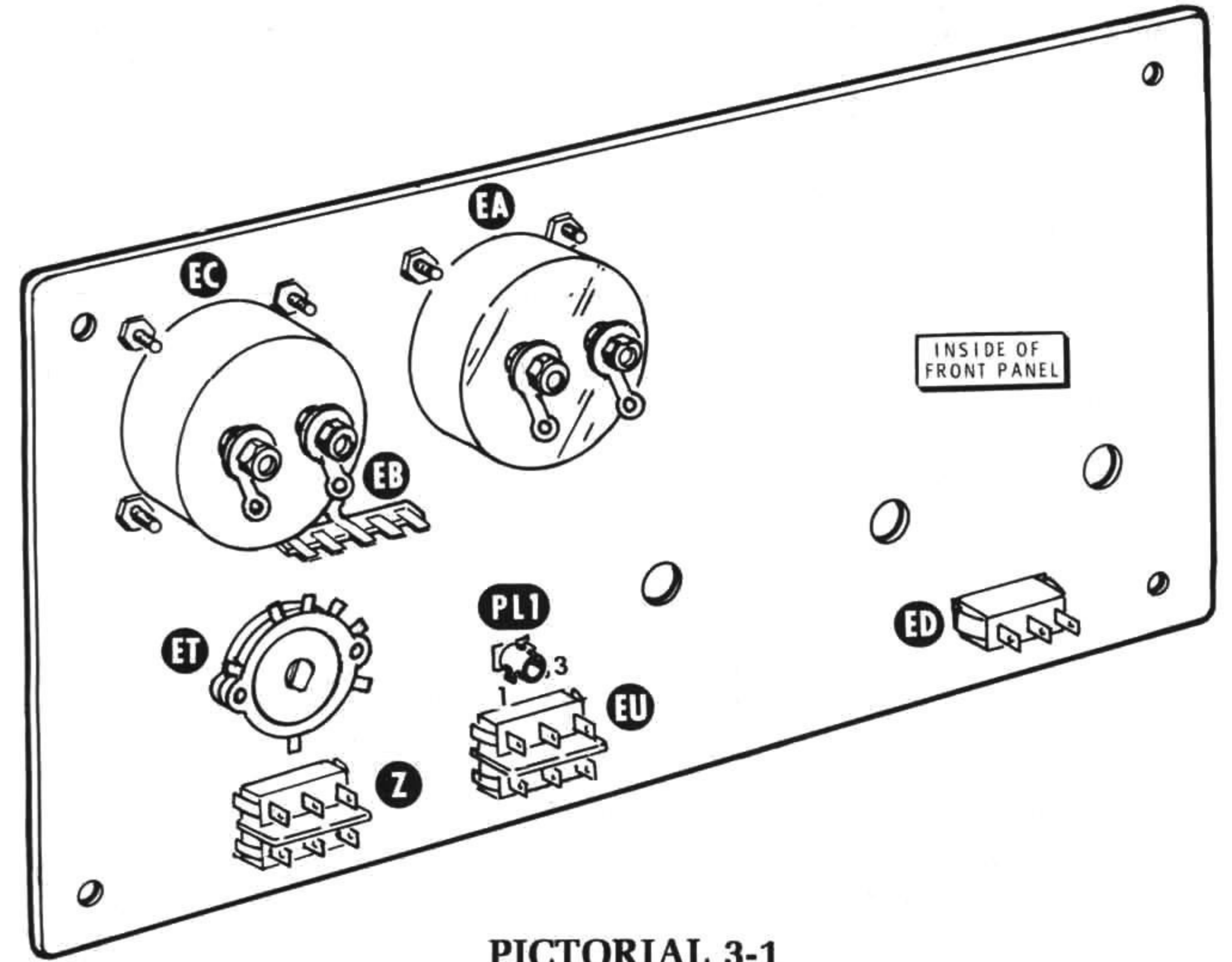


PARTS PICTORIAL (Cont'd.)

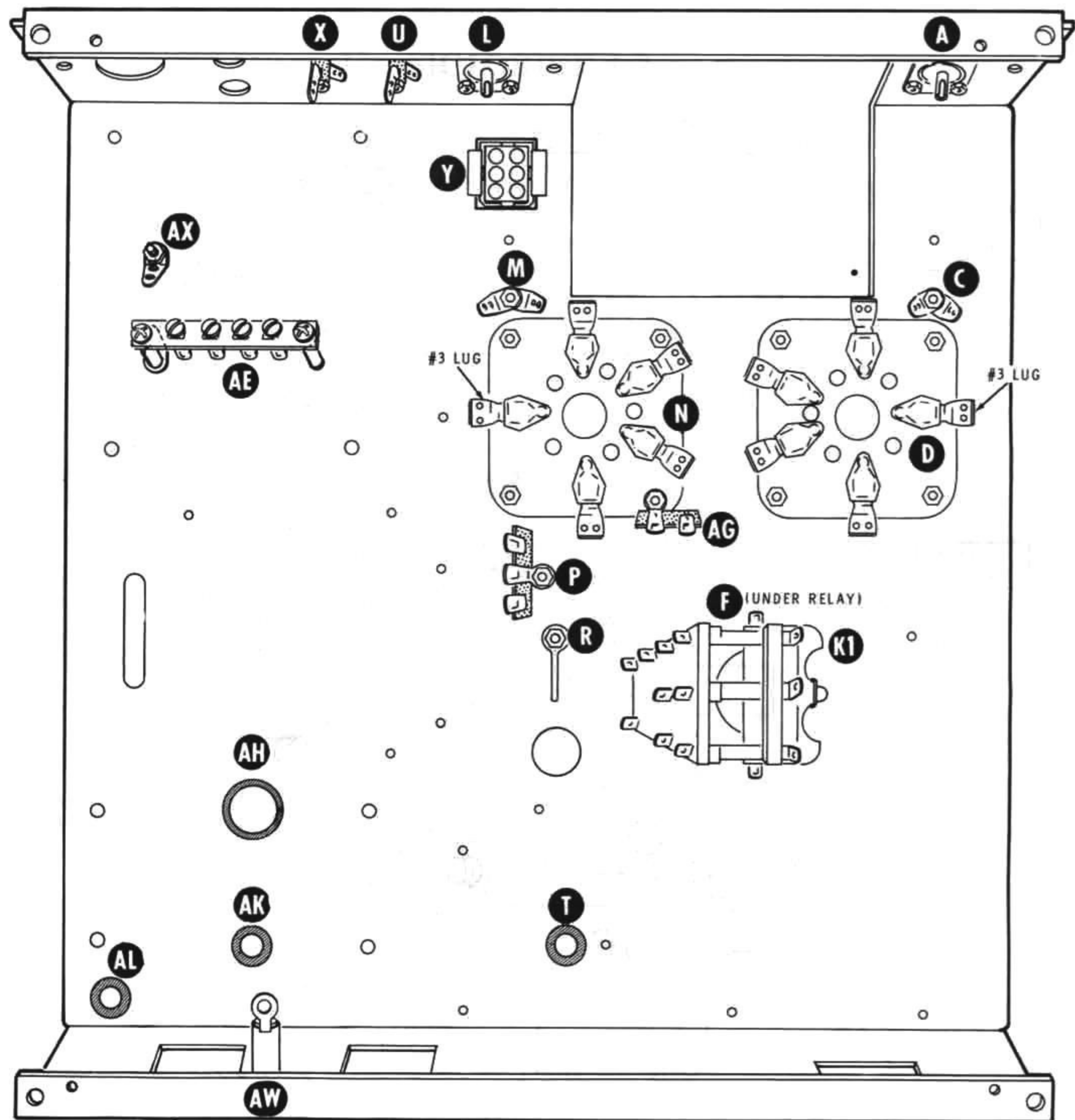




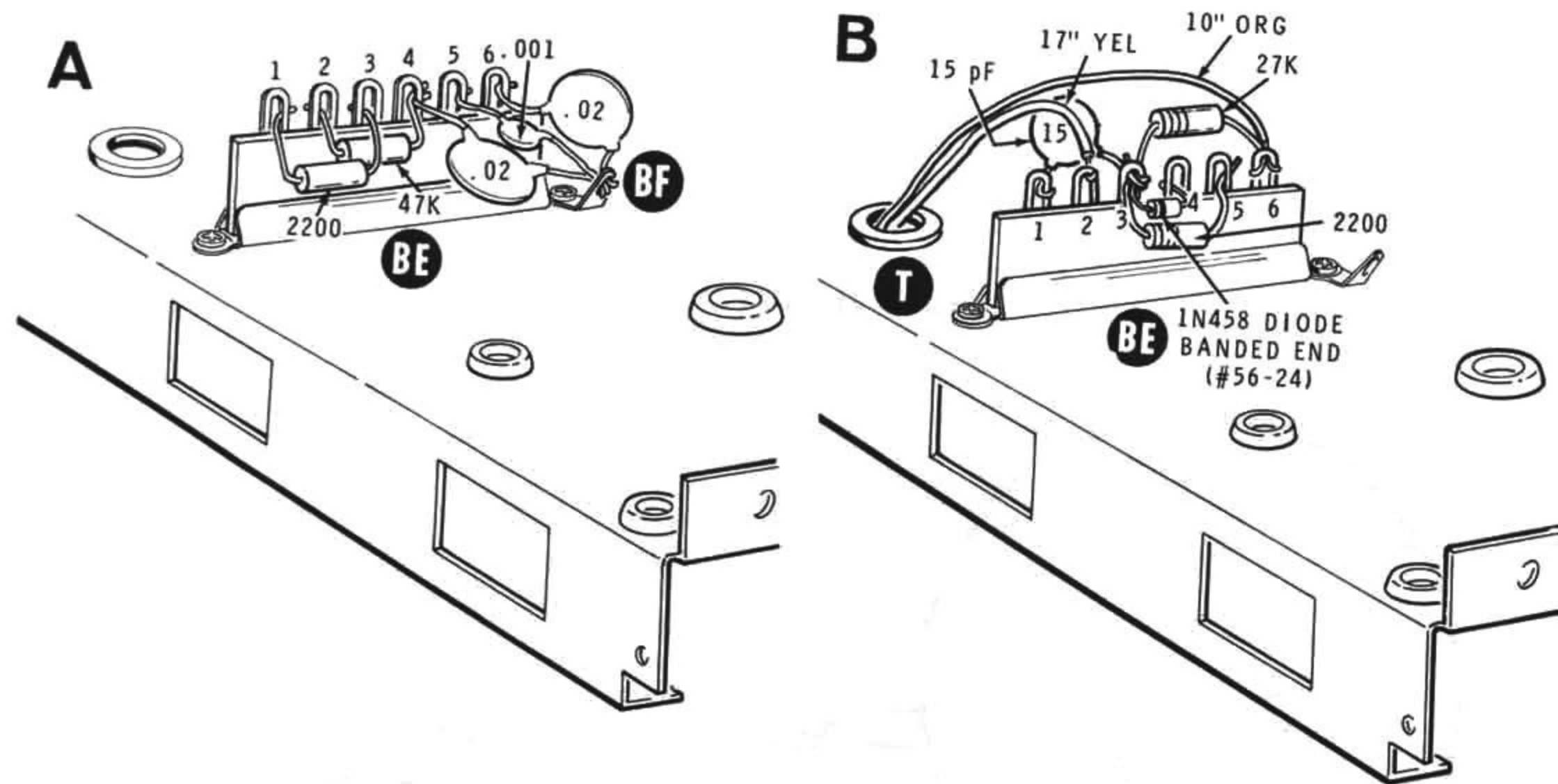
PICTORIAL 2-1



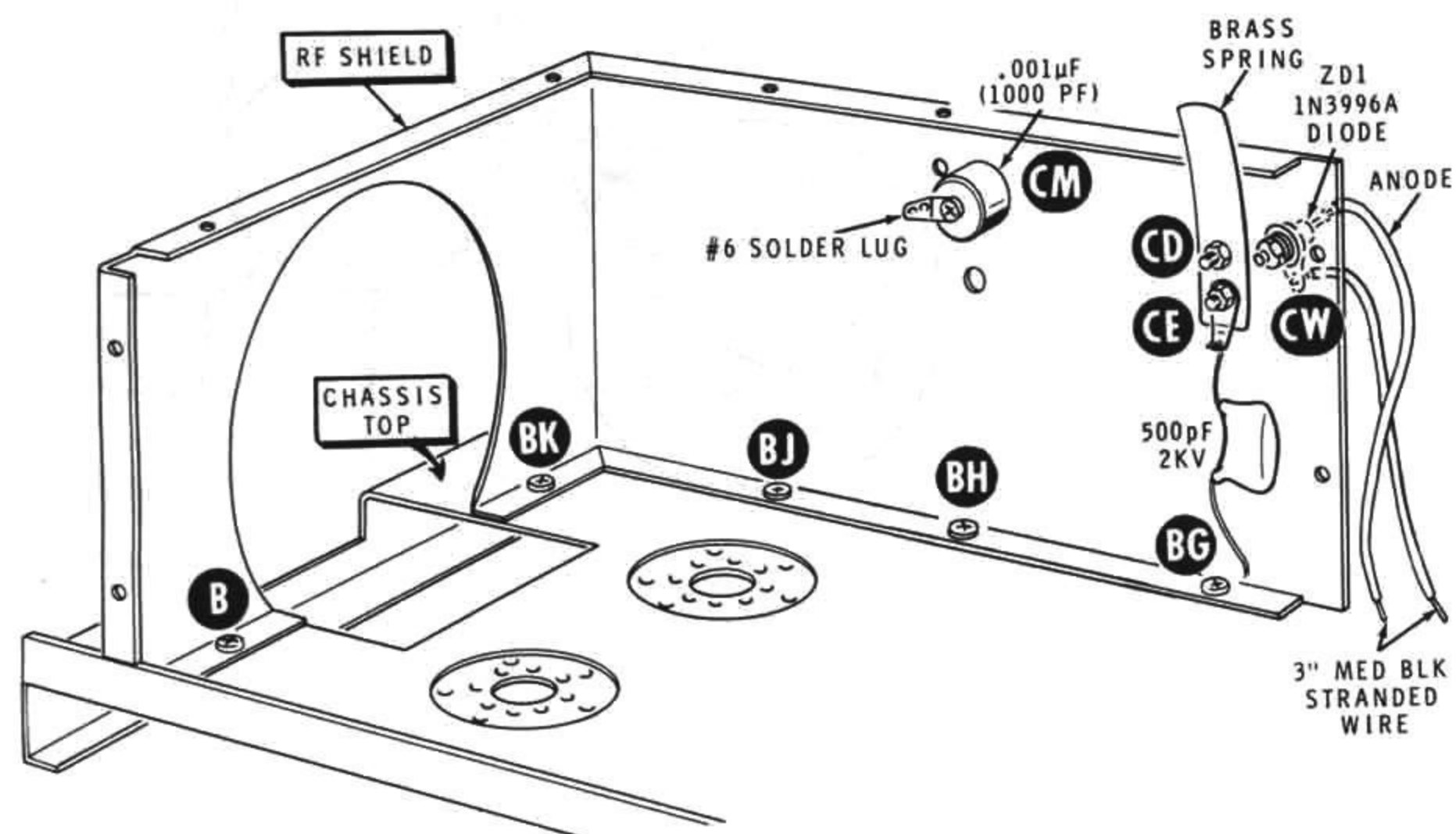
PICTORIAL 3-1



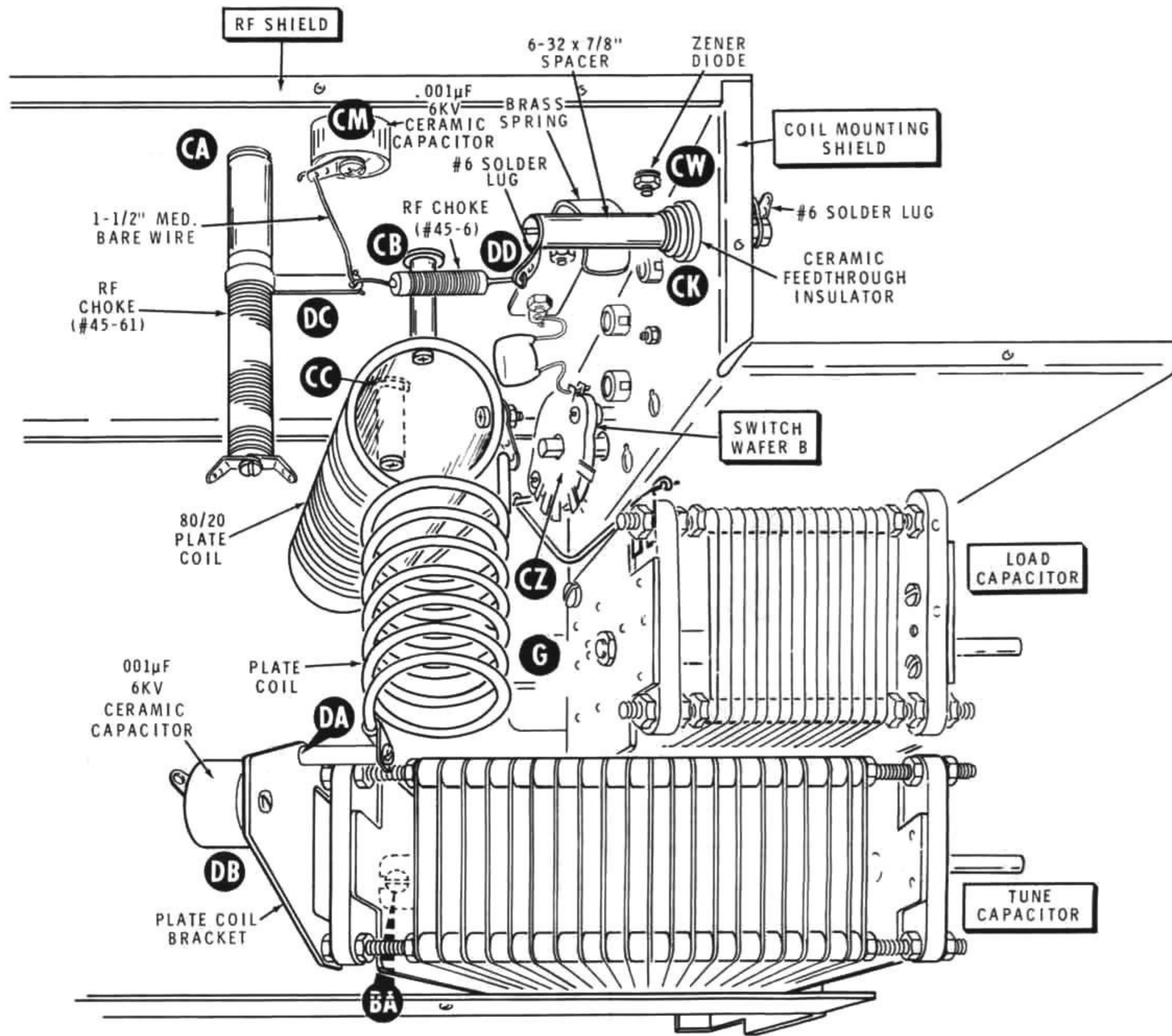
PICTORIAL 4-1



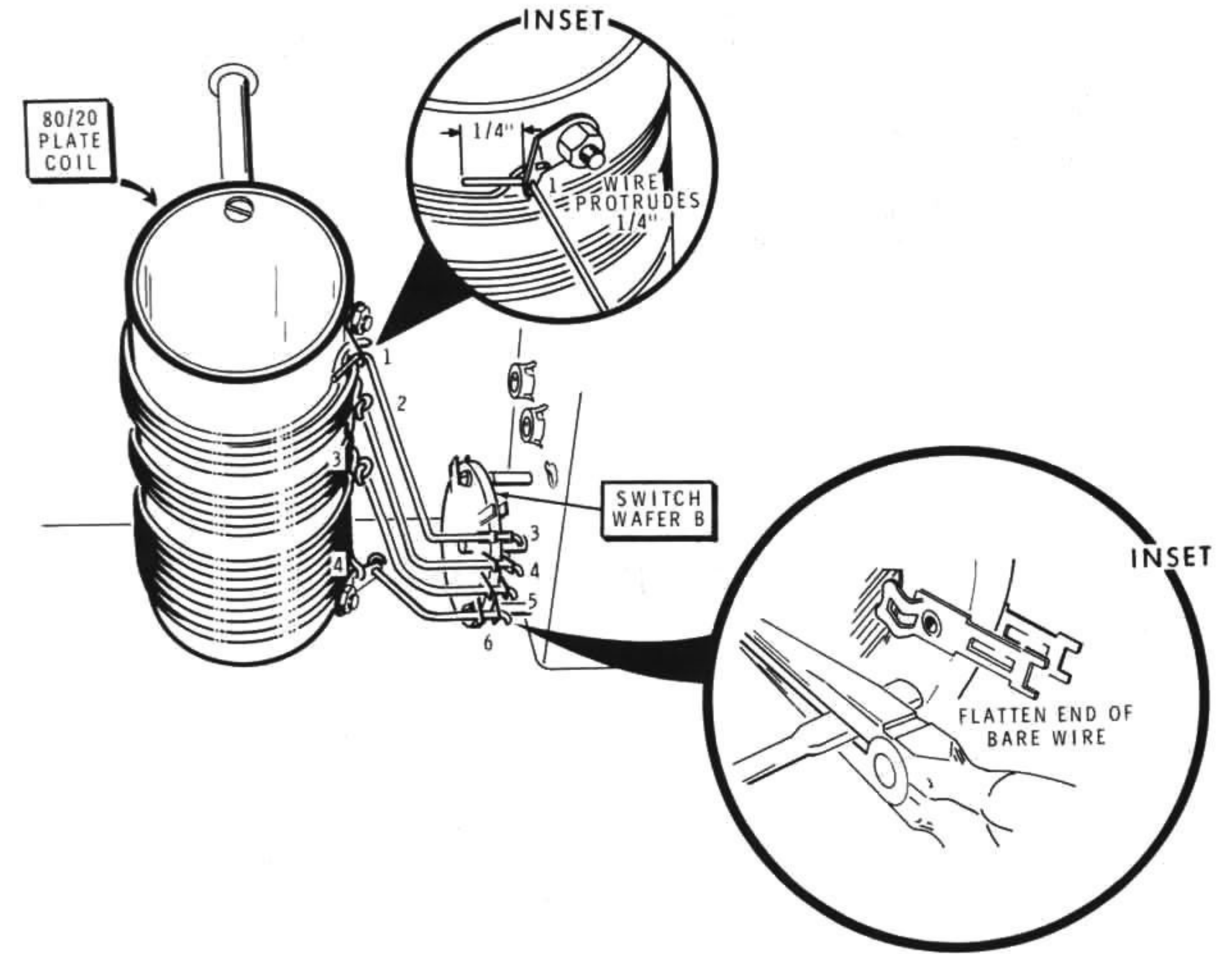
PICTORIAL 4-2



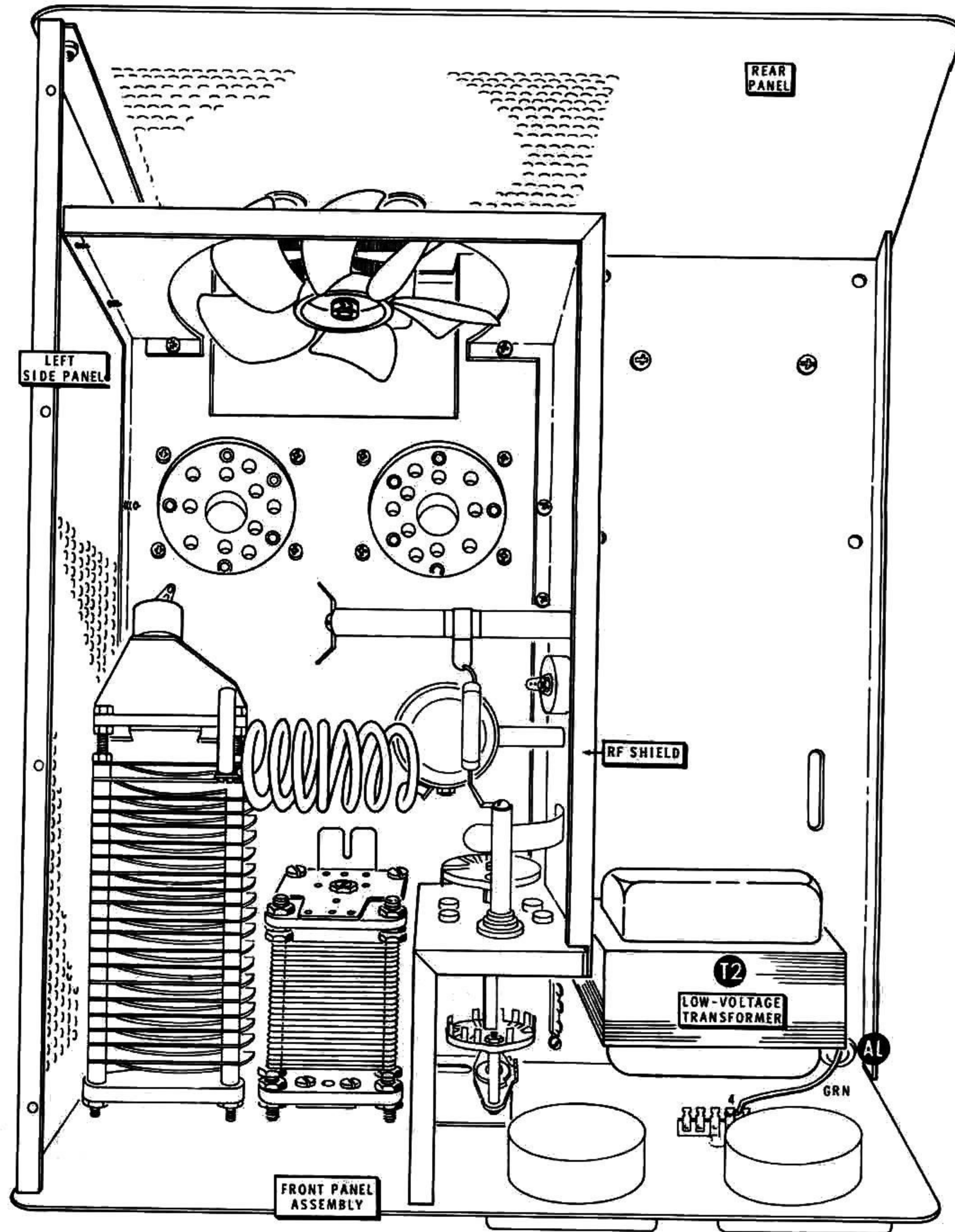
PICTORIAL 4-3



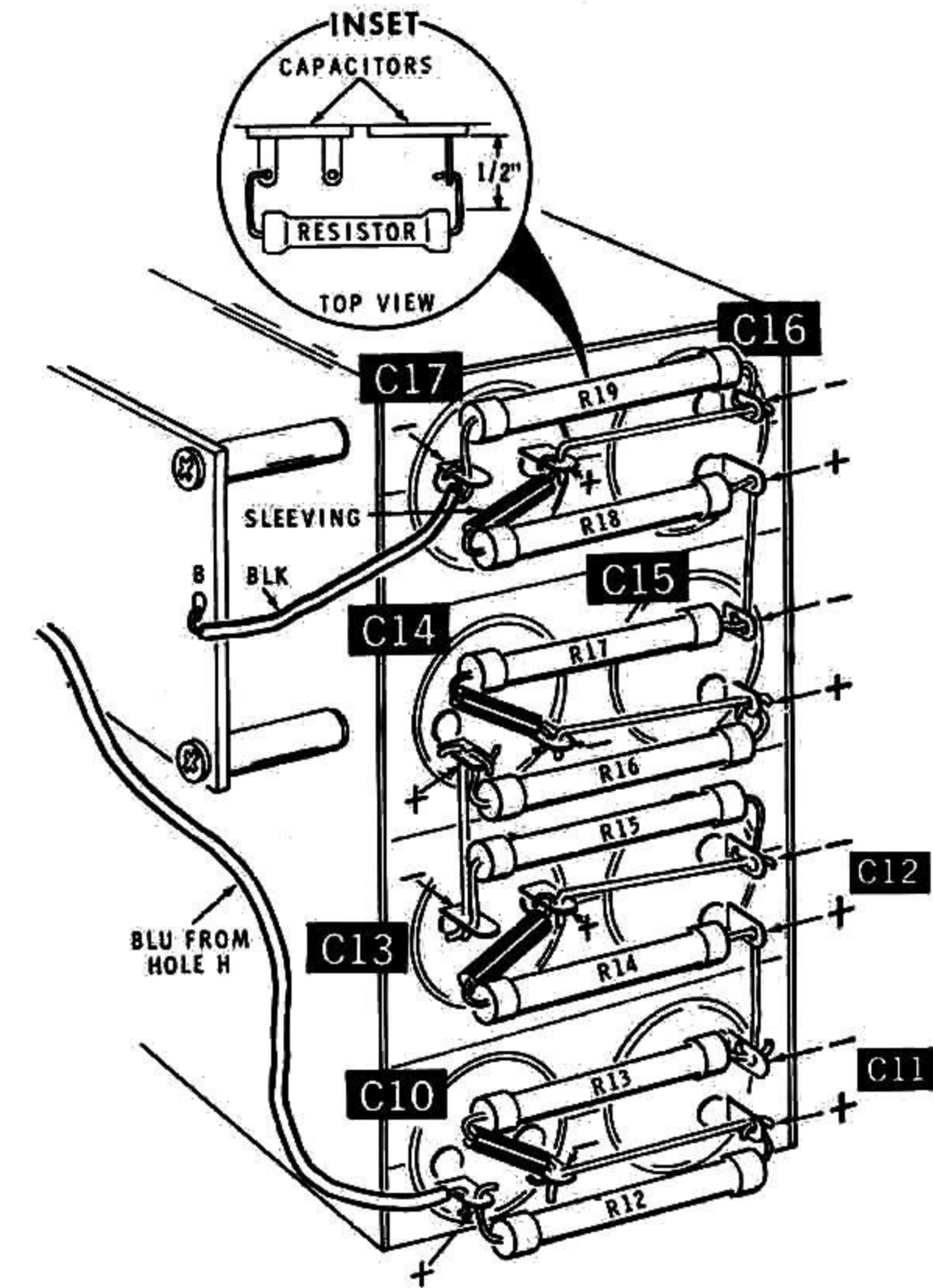
PICTORIAL 4-5



Detail 4-5E

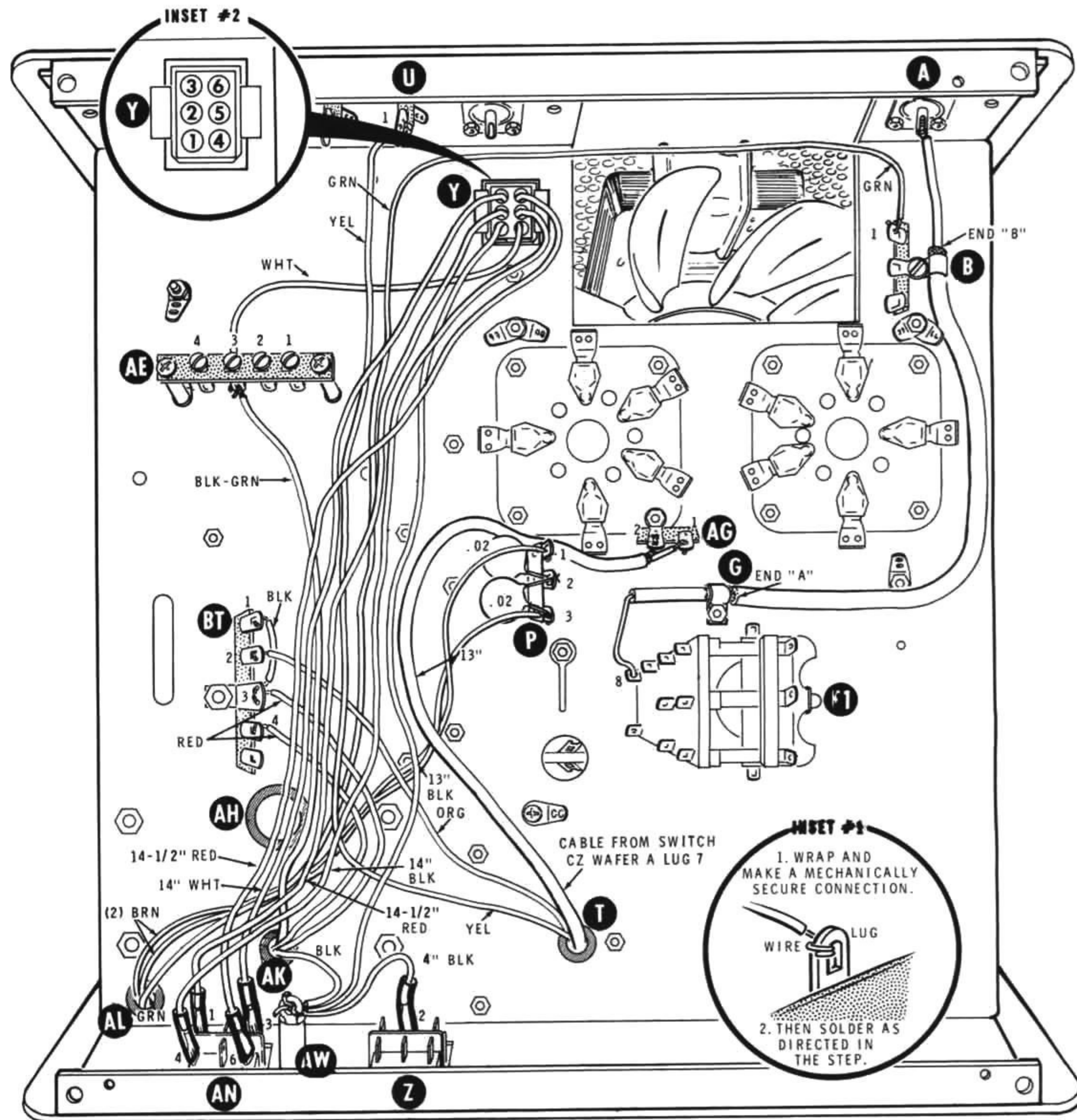


PICTORIAL 4-6

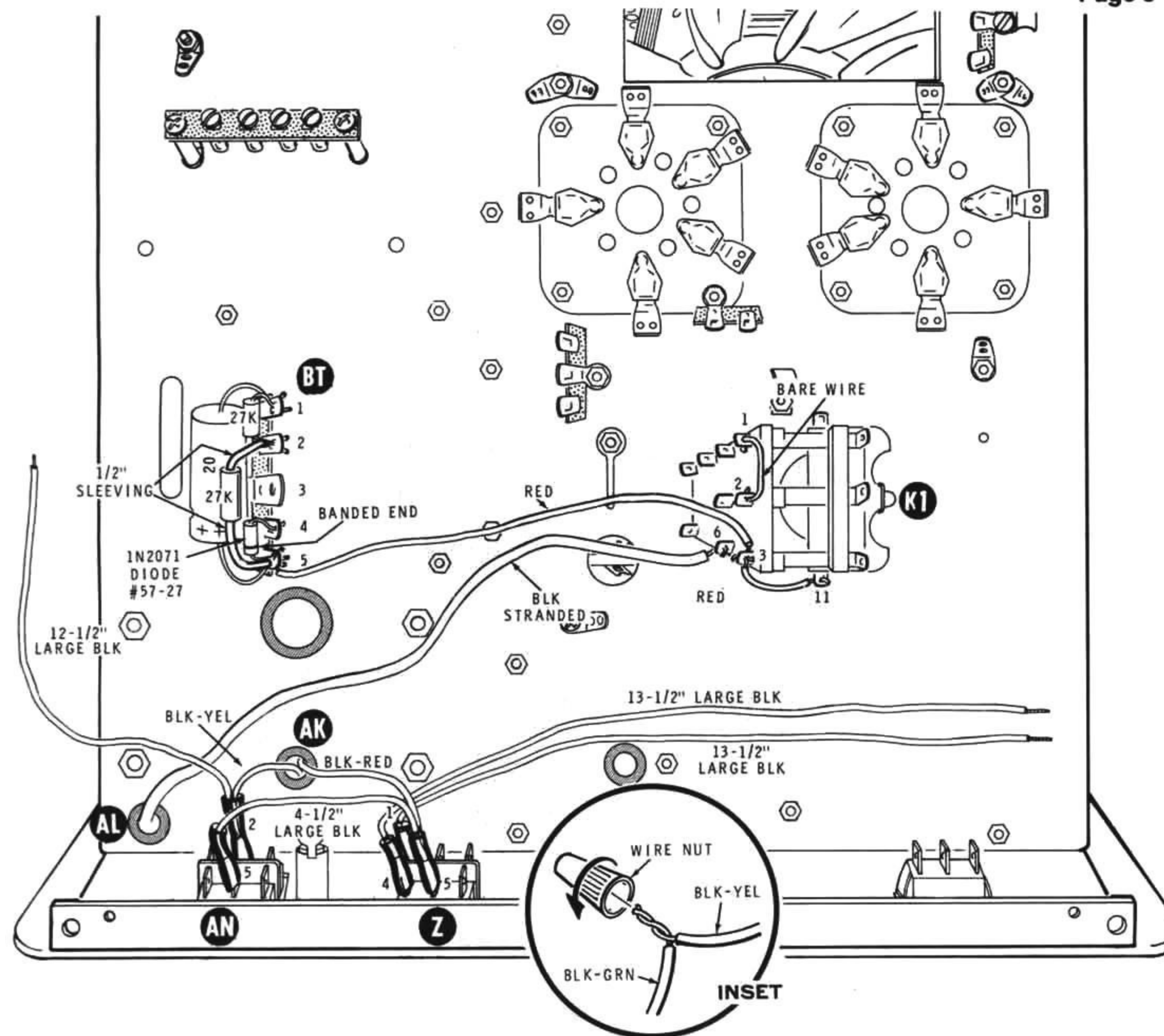


PICTORIAL 4-7

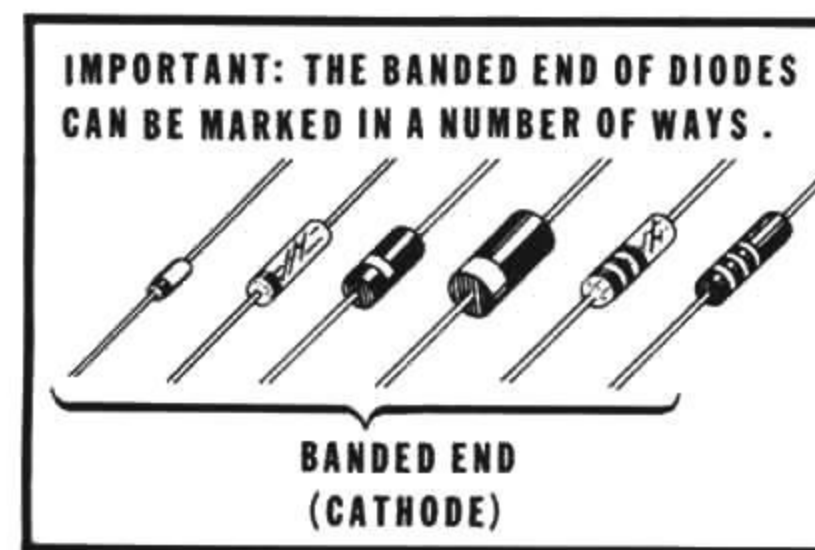
Downloaded by
RadioManual.EU



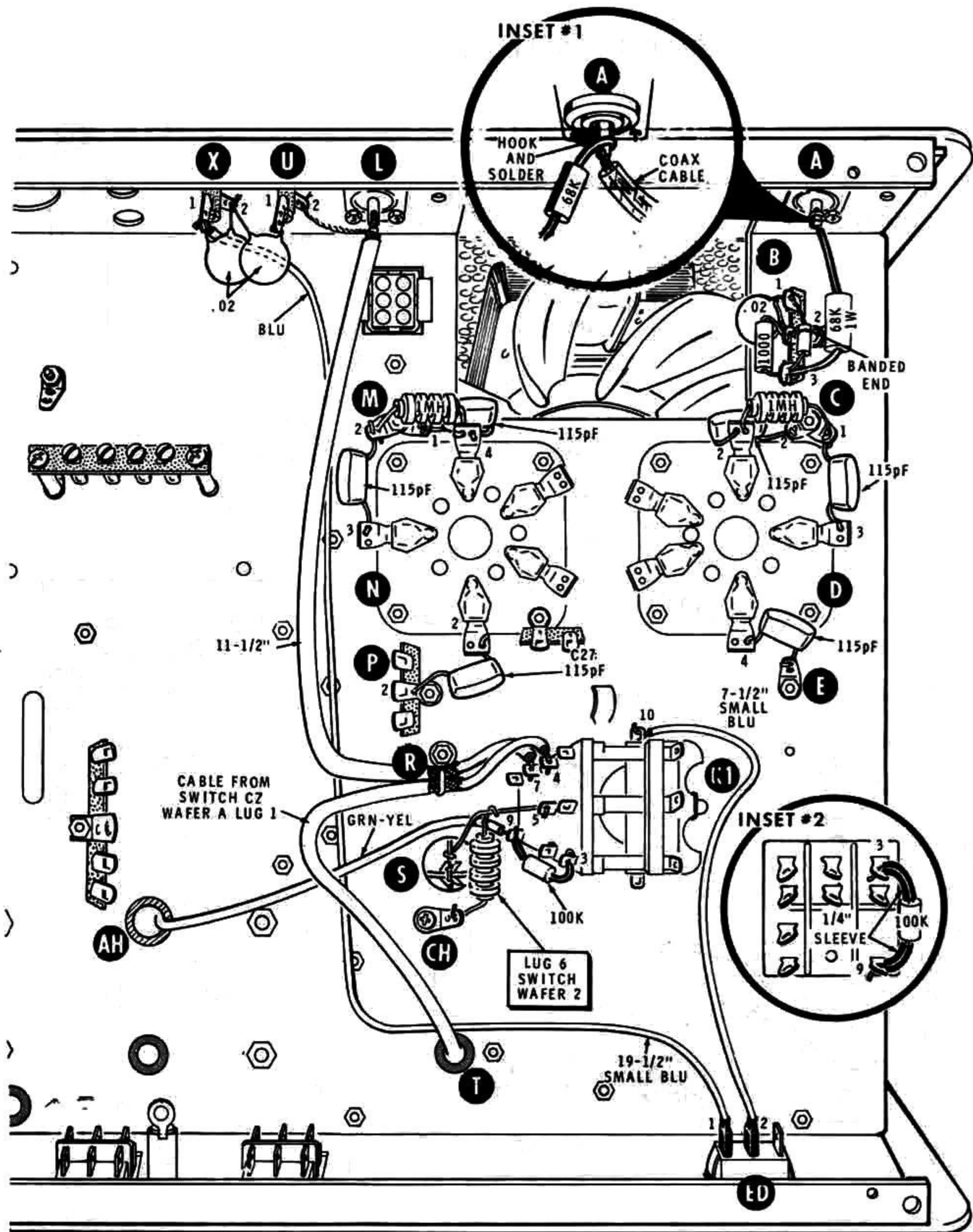
PICTORIAL 4-10



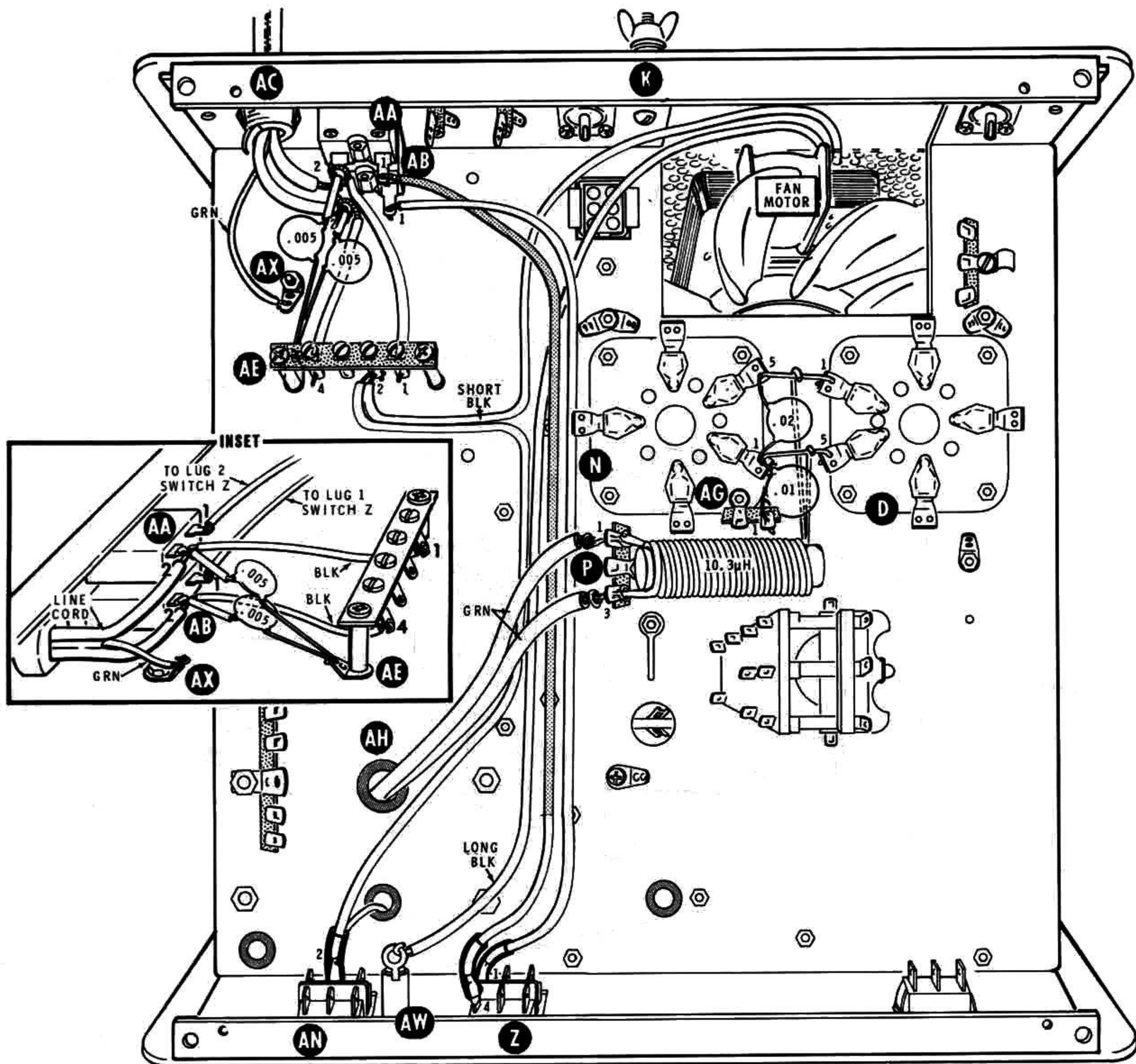
PICTORIAL 4-11



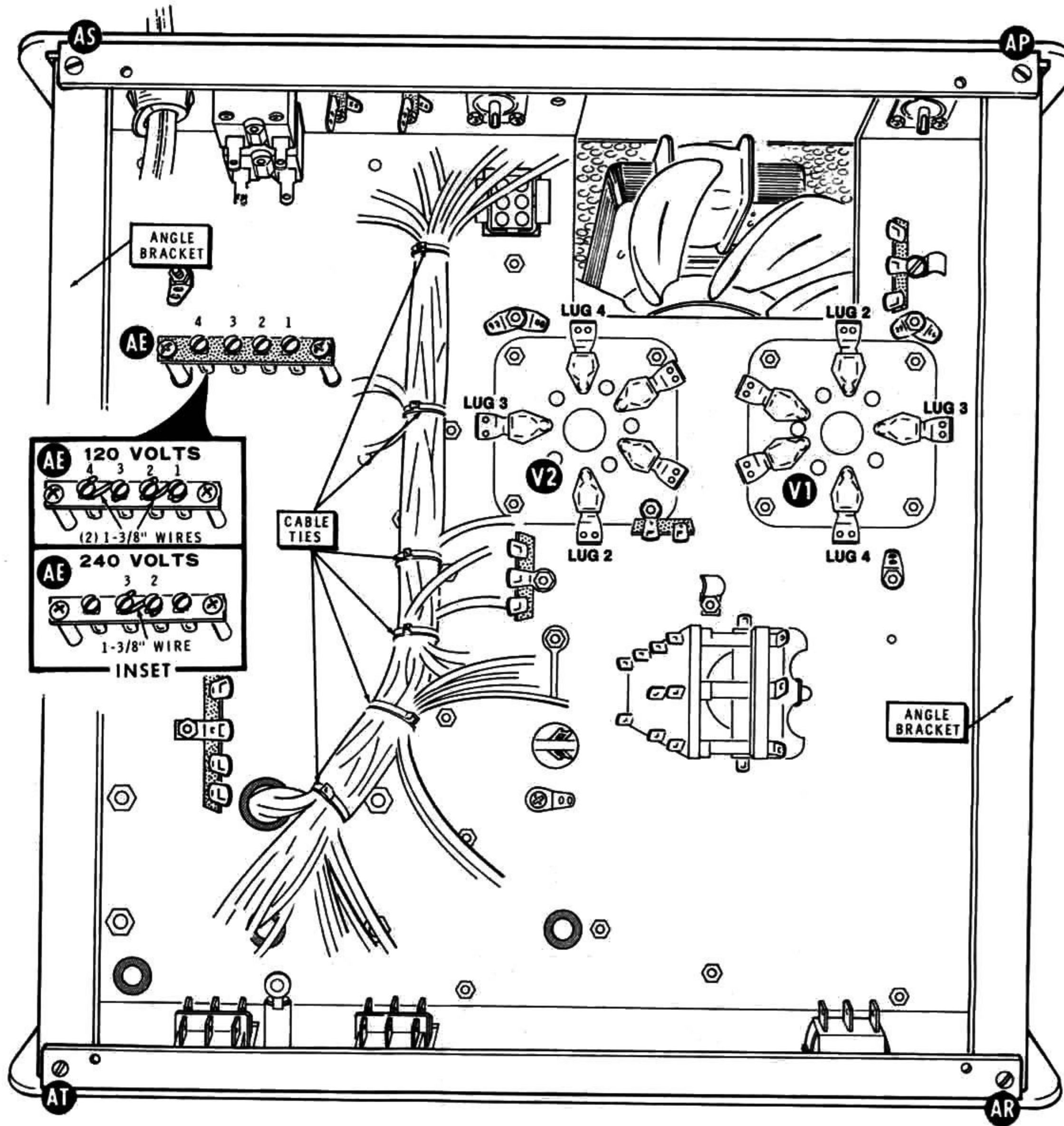
Detail 4-11A



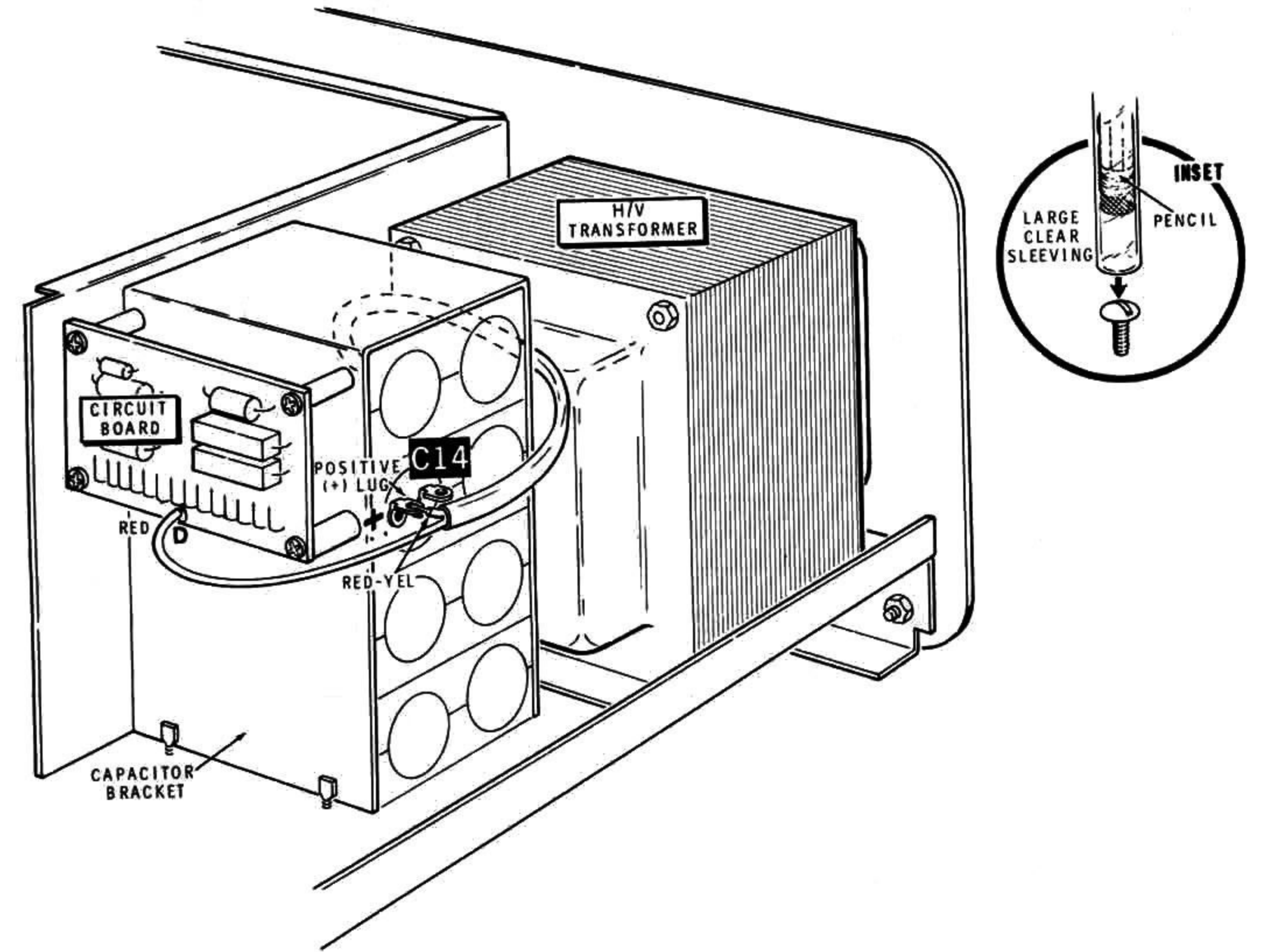
PICTORIAL 4-12



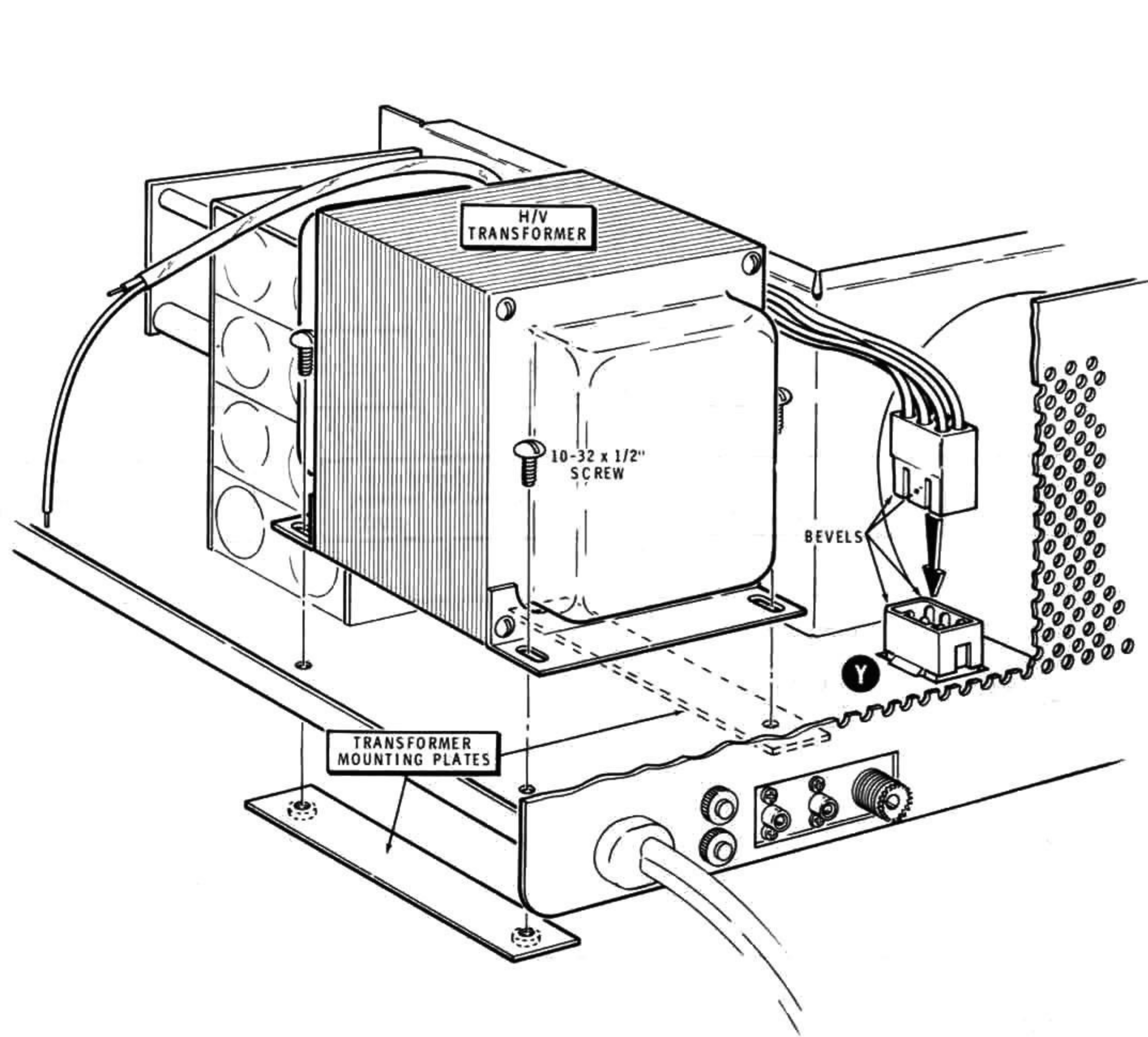
PICTORIAL 4-13



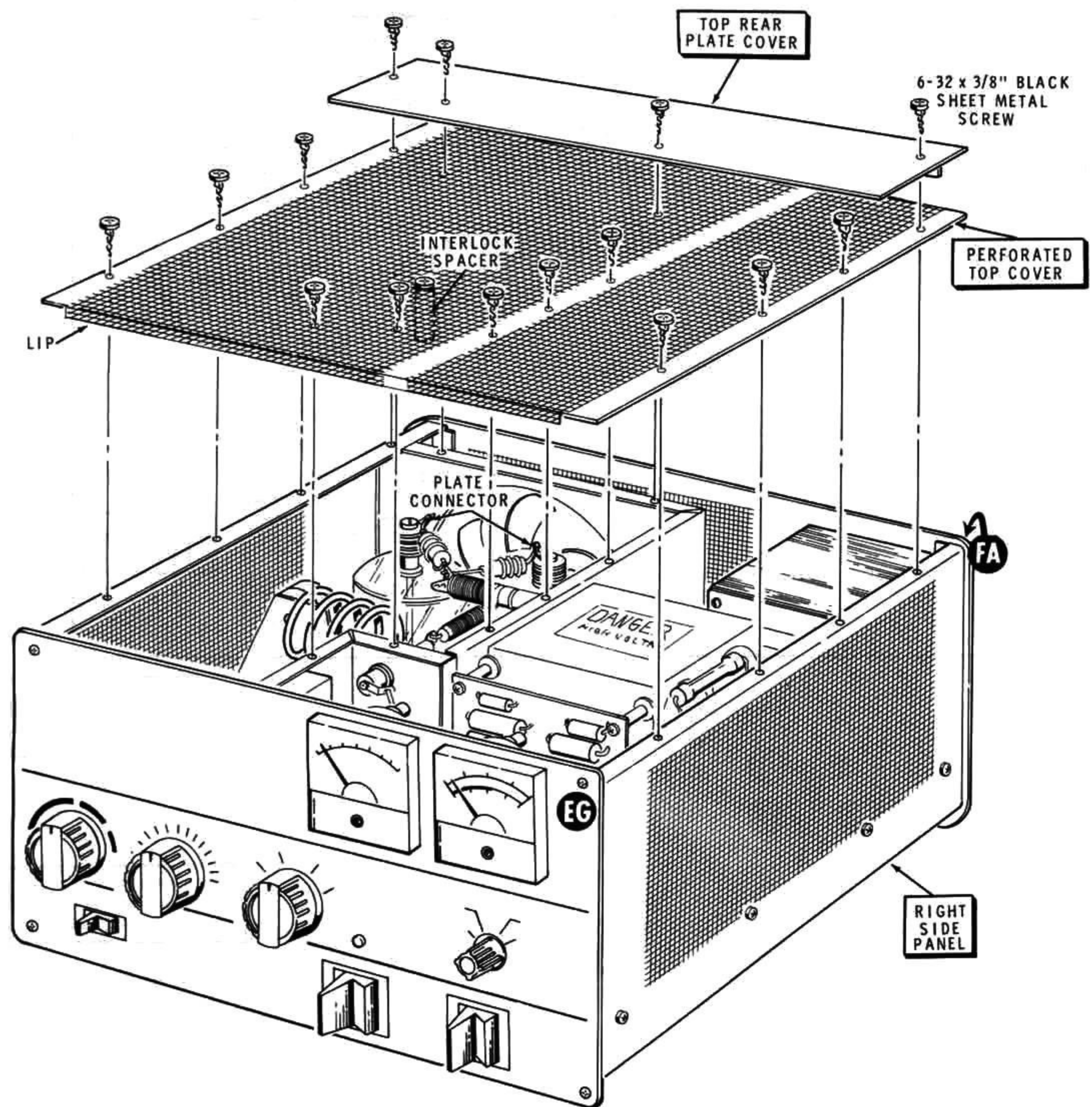
PICTORIAL 4-14



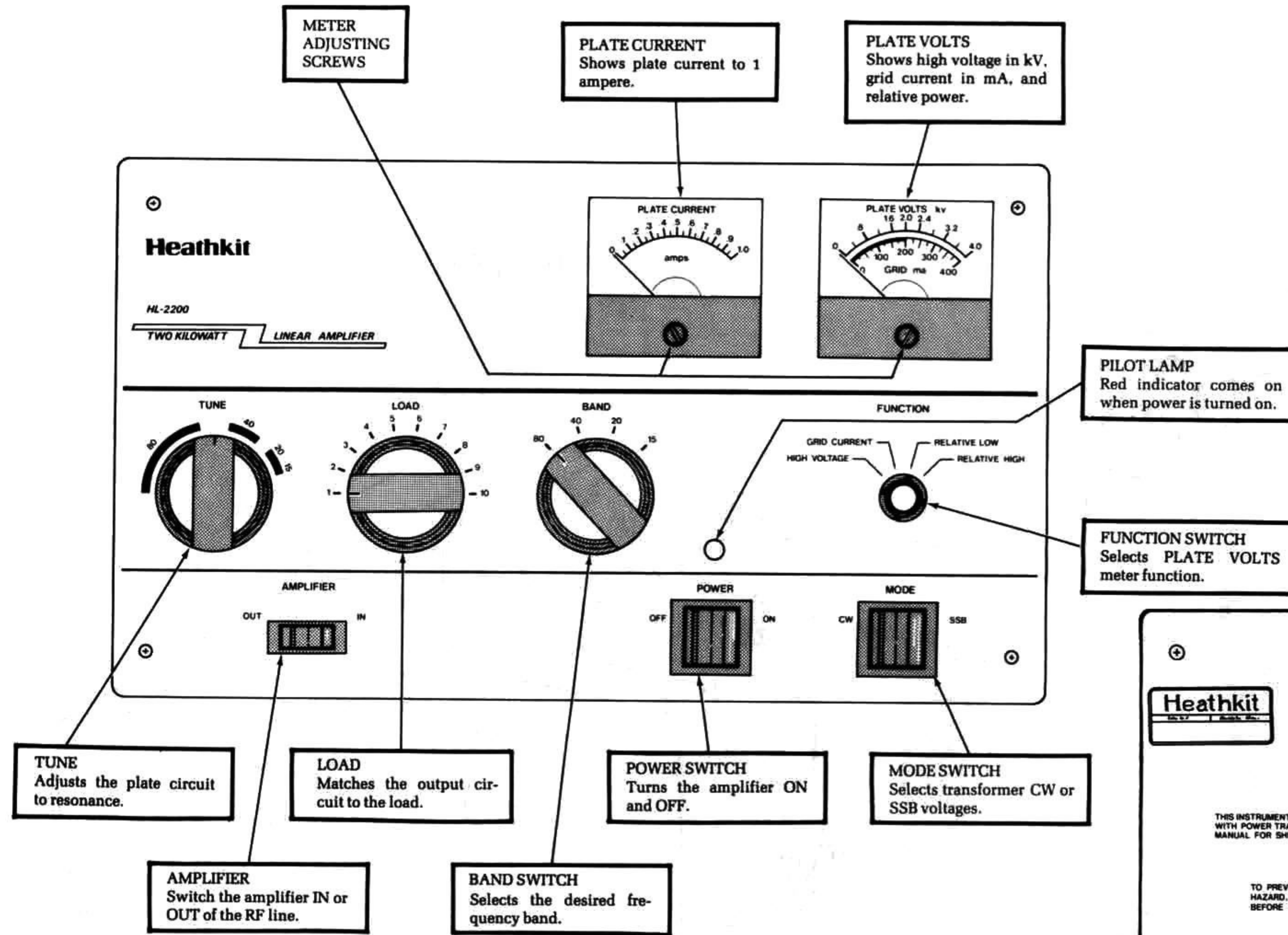
PICTORIAL 4-18



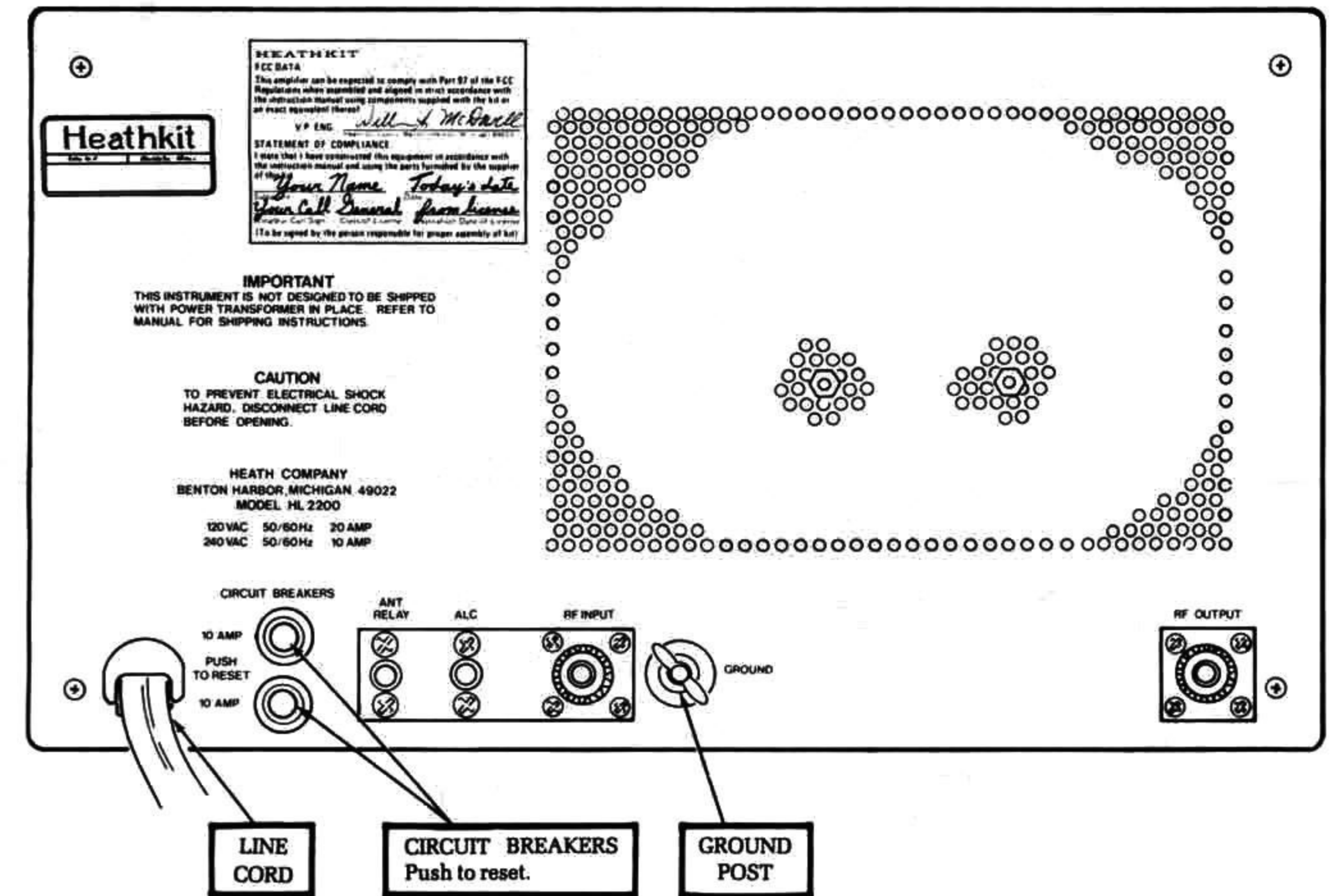
Detail 4-18A



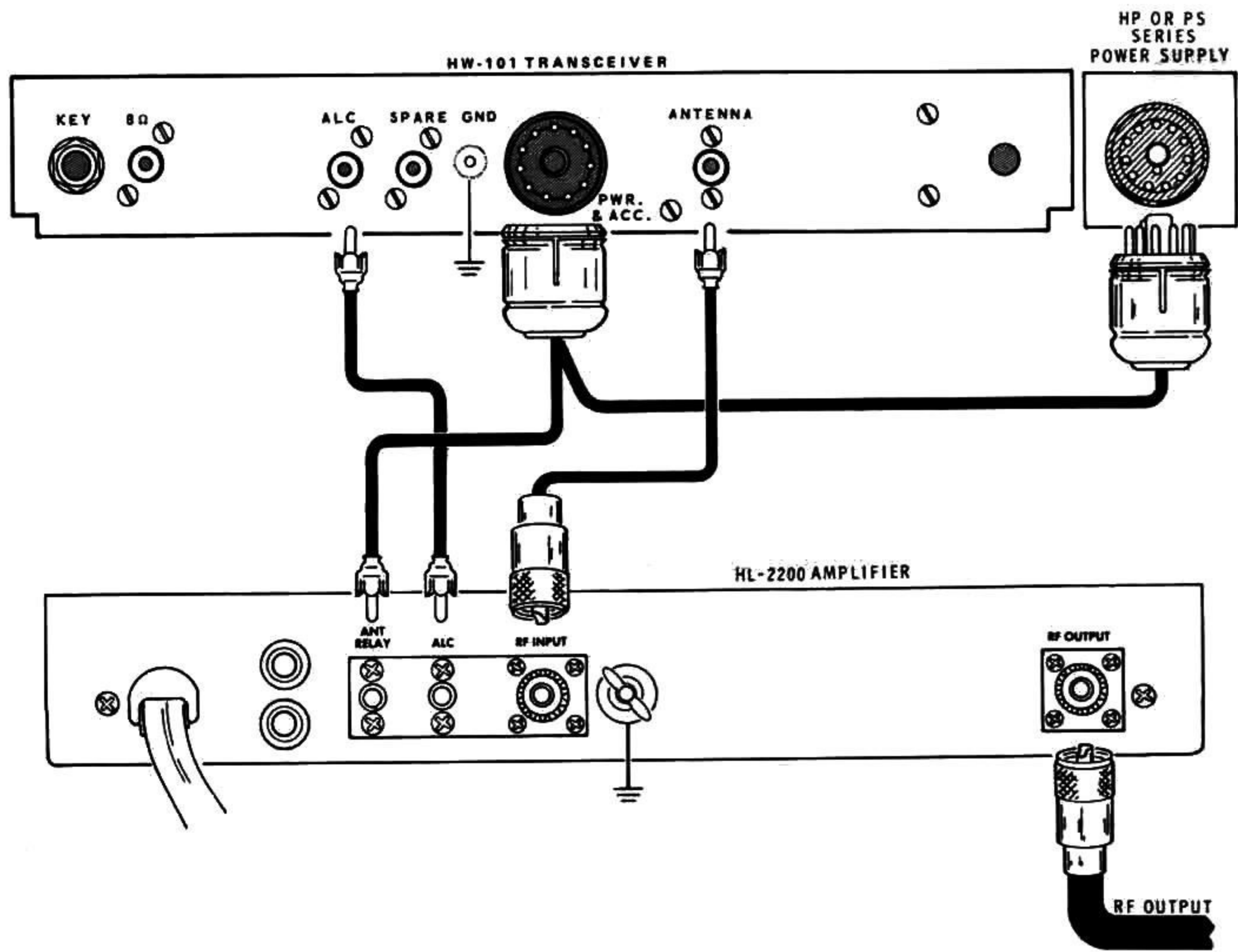
PICTORIAL 5-2



PICTORIAL 6-1

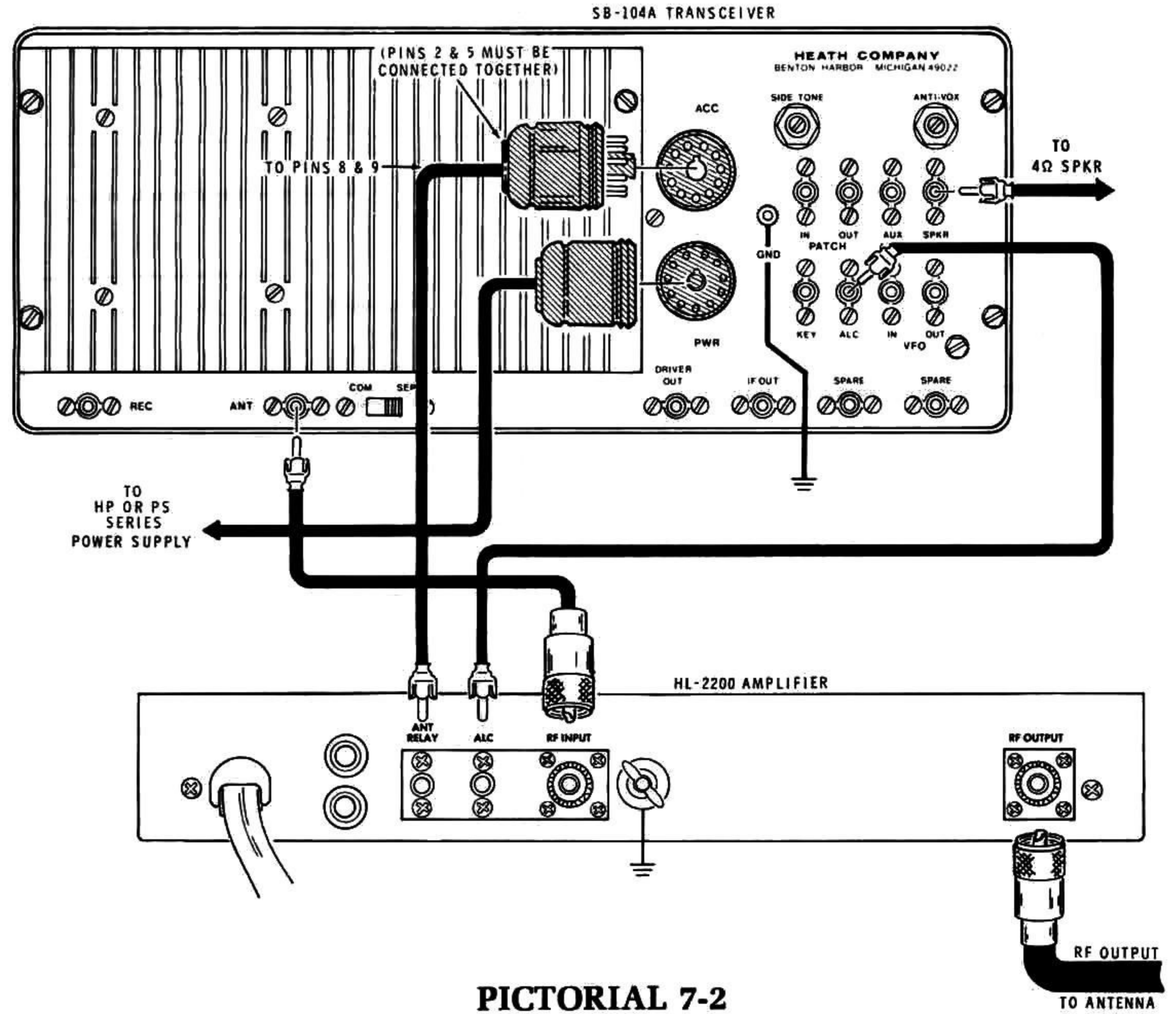


PICTORIAL 6-2

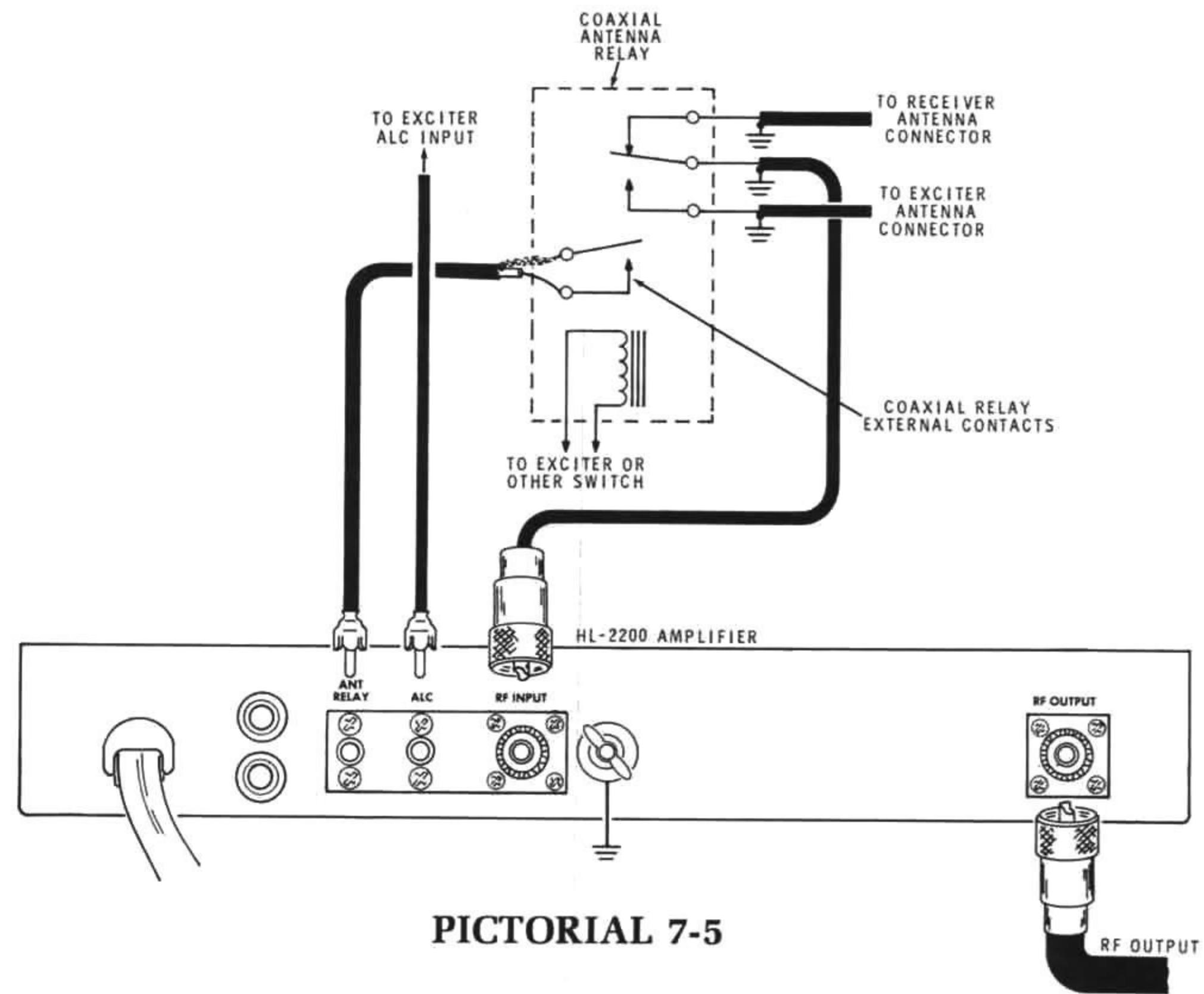


PICTORIAL 7-1

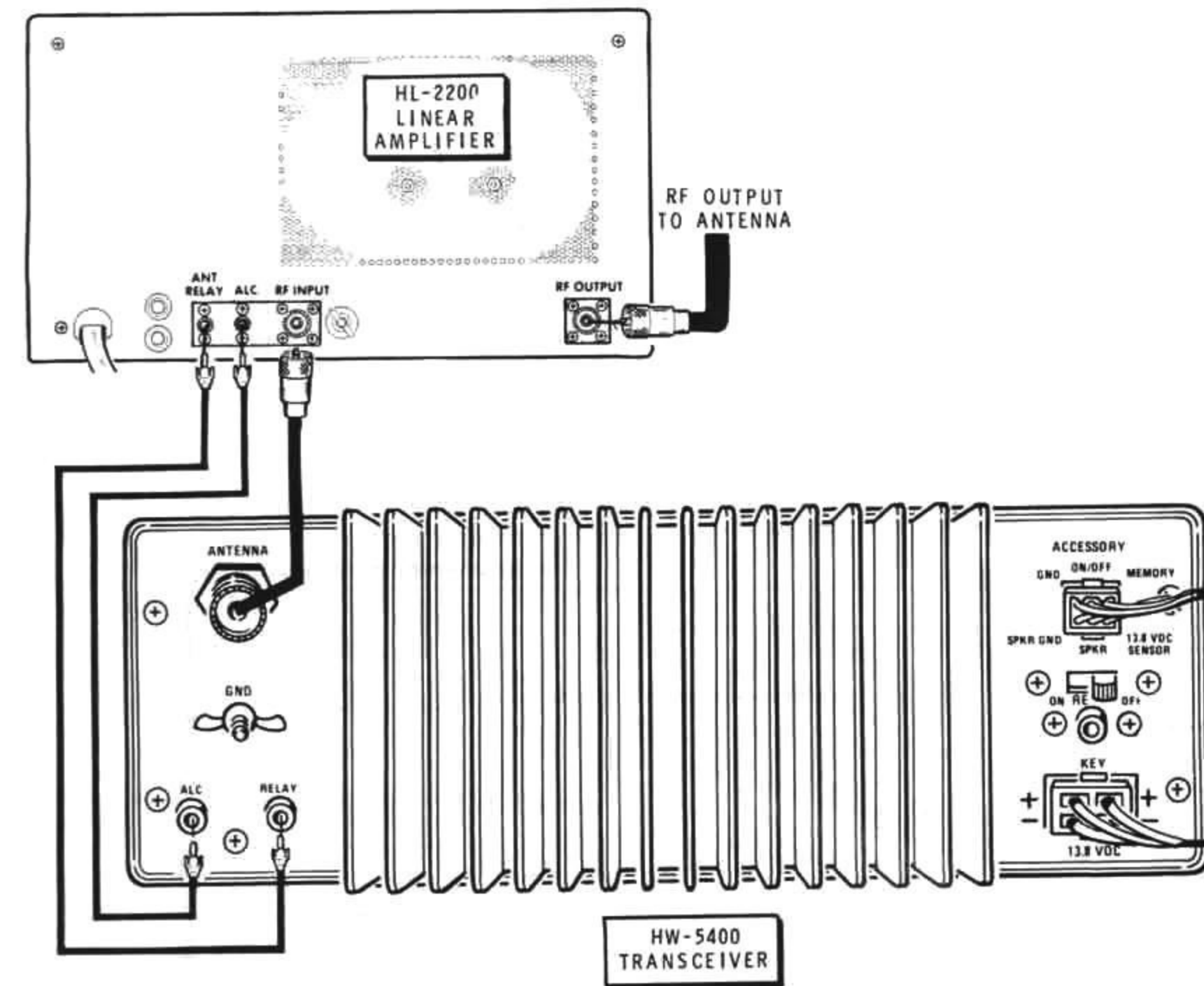
Downloaded by
RadioManual.EU



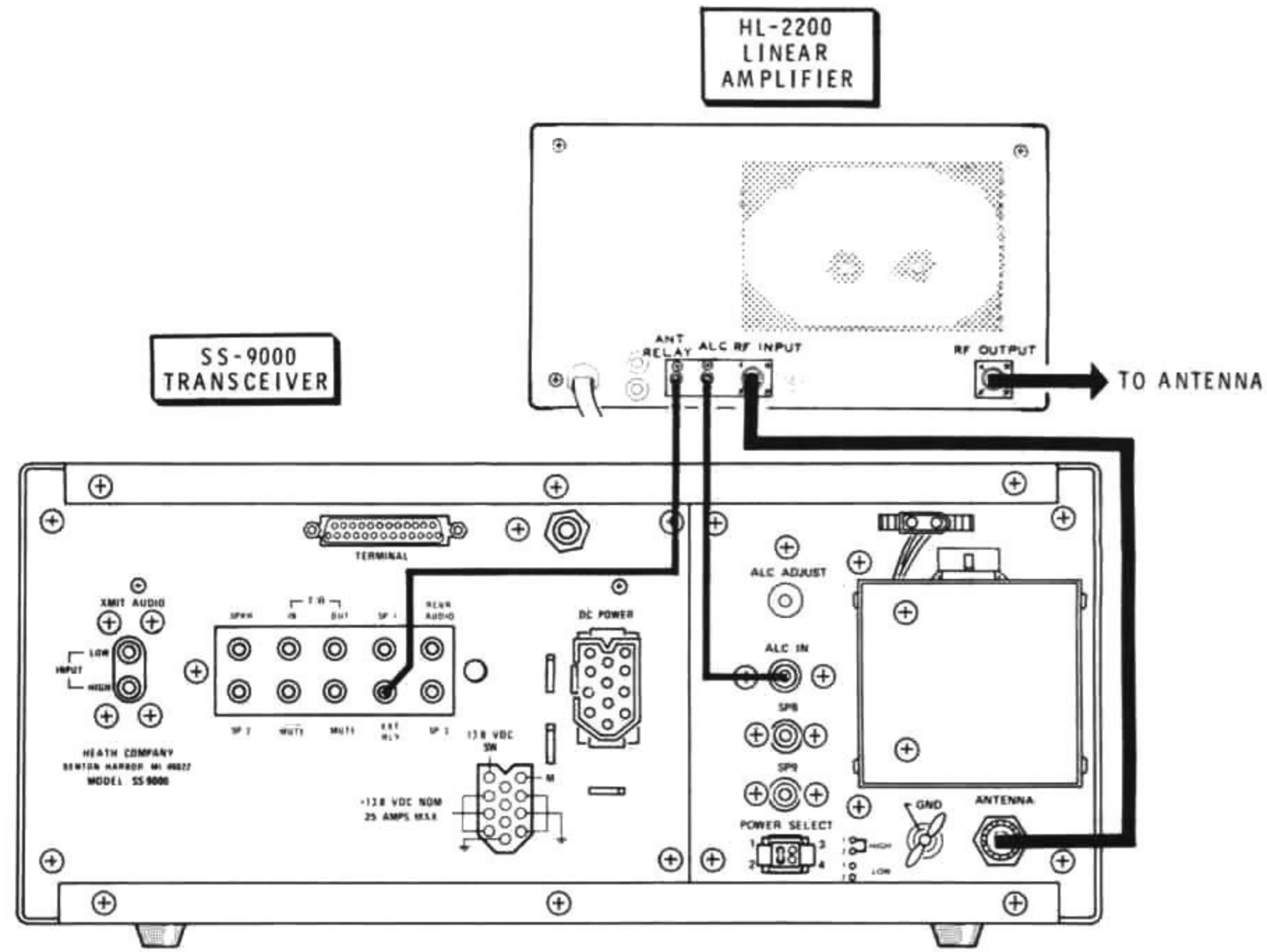
PICTORIAL 7-2



PICTORIAL 7-5

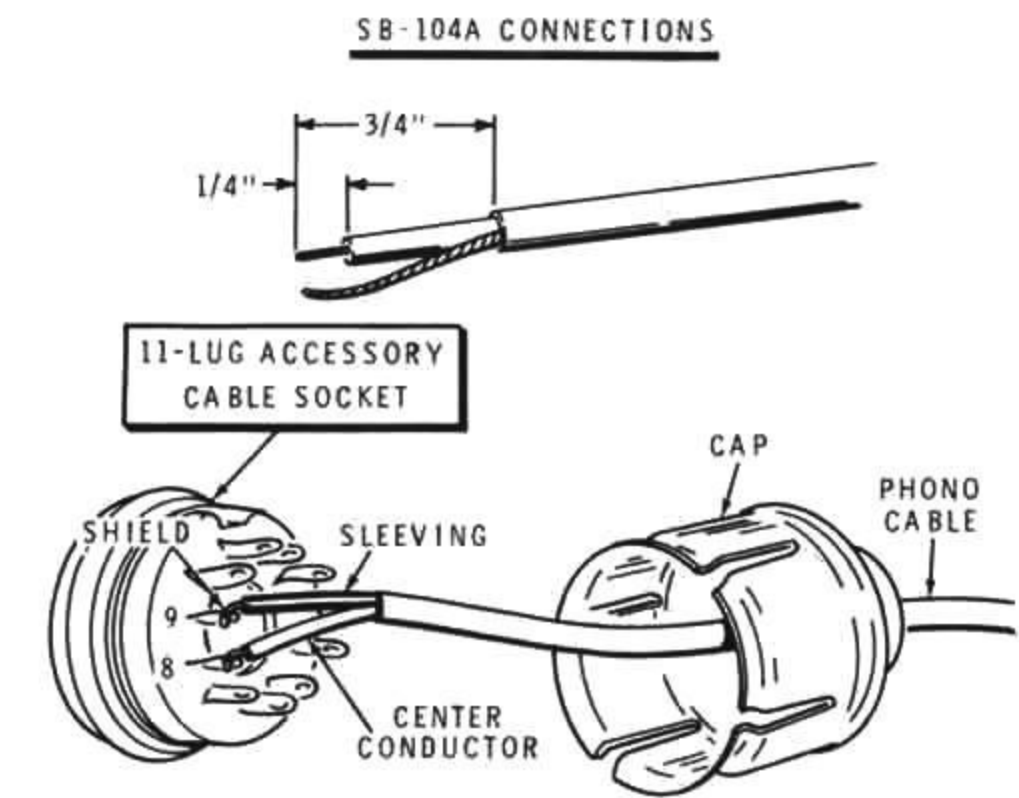
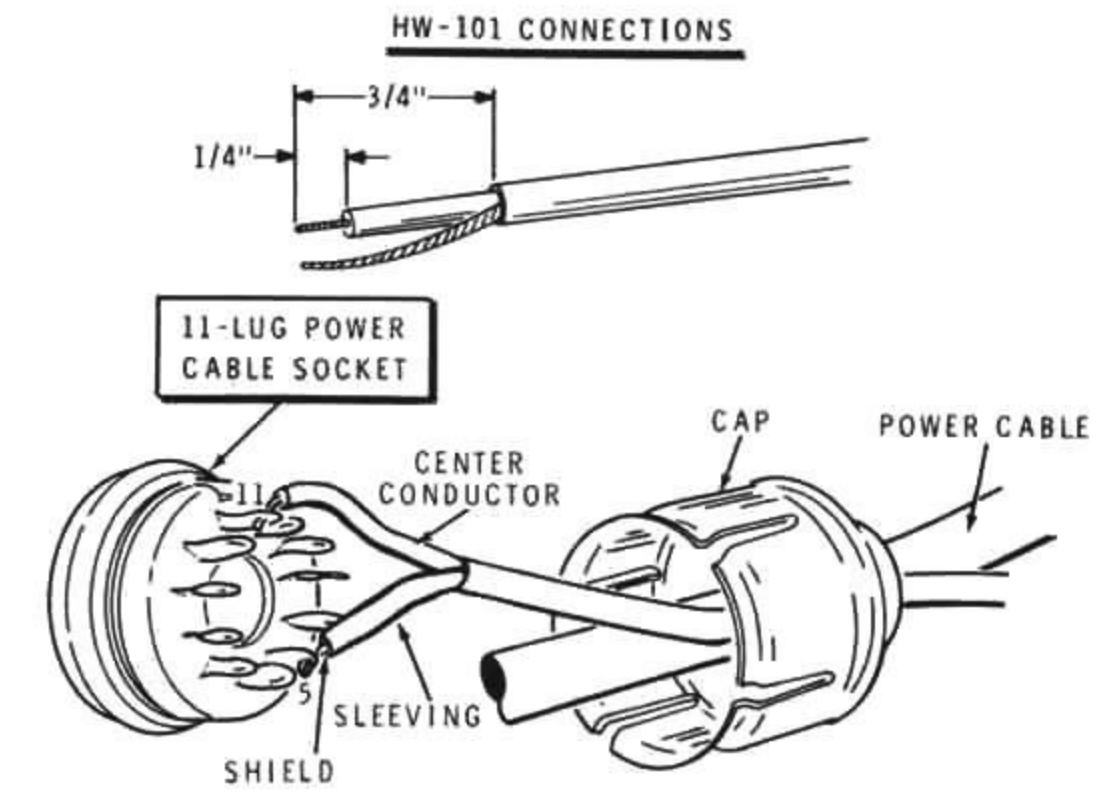


PICTORIAL 7-6



PICTORIAL 7-7

Downloaded by
RadioManual.EU



PICTORIAL 8-1