

# HPA-8000B

## 1 kW Linear Amplifier



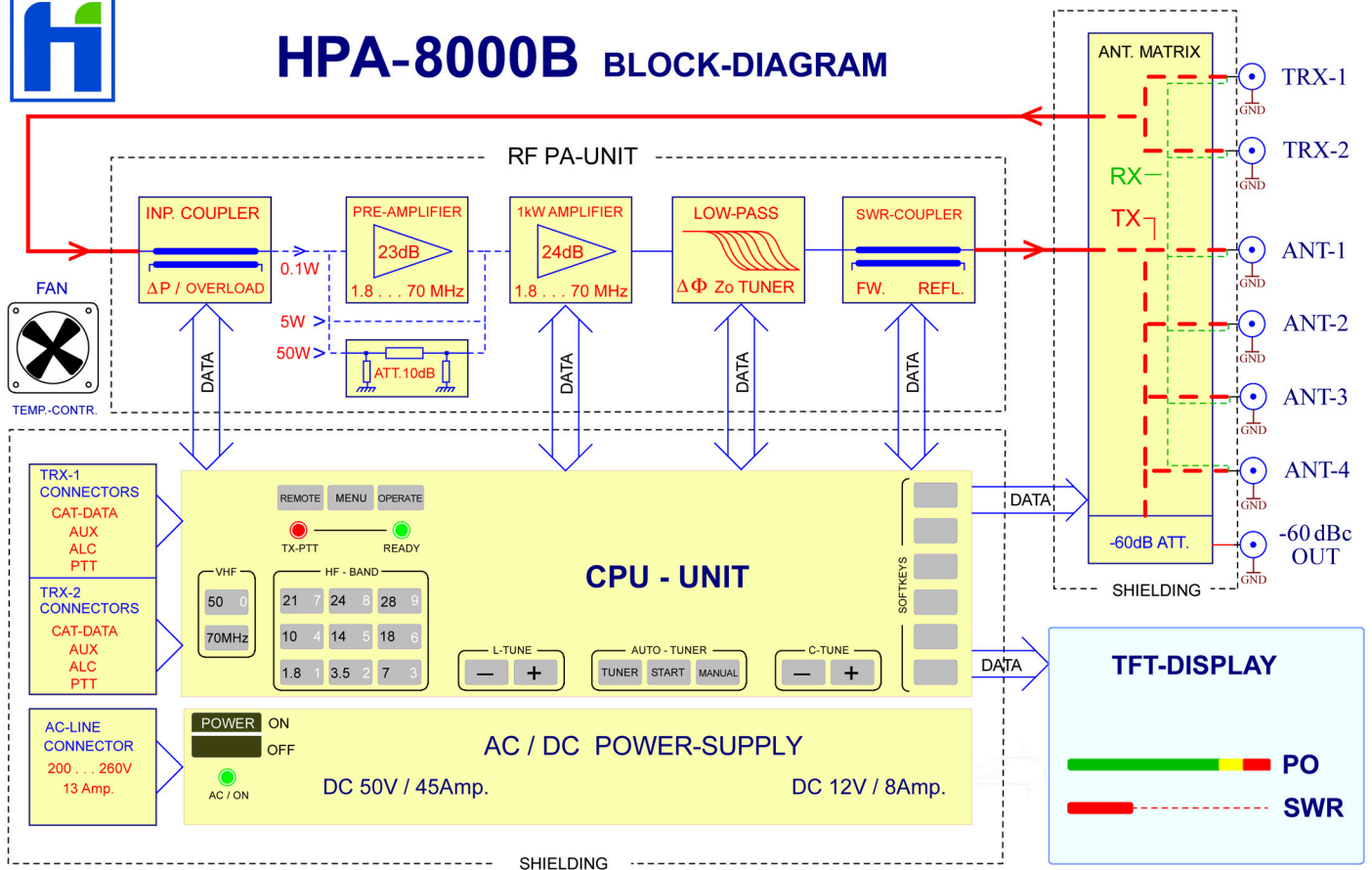
### Technical Data

- LD MOSFET Amplifier 1 kW RF Output (FM / AM / SSB / CW)
- All Ham Radio Bands 160 m – 4 m (1.8 – 70 MHz)
- Switchable Input Power
  - mW 0.02 – 0.1 Watt / 1 kW RF Out
  - Low 2 – 3 Watt / 1 kW RF Out
  - High 20 – 30 Watt / 1 kW RF Out
- 4 Antenna Connectors / 2 Transceiver Inputs
- PA Output -60 dBc ATT. (Predistortion / Control Loop Feedback Channel)
- Fully Automatic Antenna Tuner 1.8 – 30 MHz (max. SWR 3:1)
- Fully Automatic Control: Transceiver / CAT Interface (Band Switching)
- USB / RS232 Interface for Programming / Remote Control
- Manual Control: Band Buttons, PTT / ALC Input (RCA Sockets)
- Protective Circuit: Overcurrent, SWR, Temperature, Input / Output Power
- Internal Power Supply 200 – 260 V AC
- Weight: 19.8 kg (44 lbs)

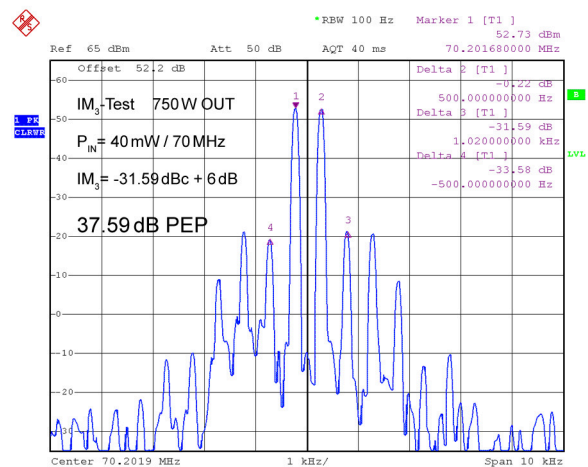
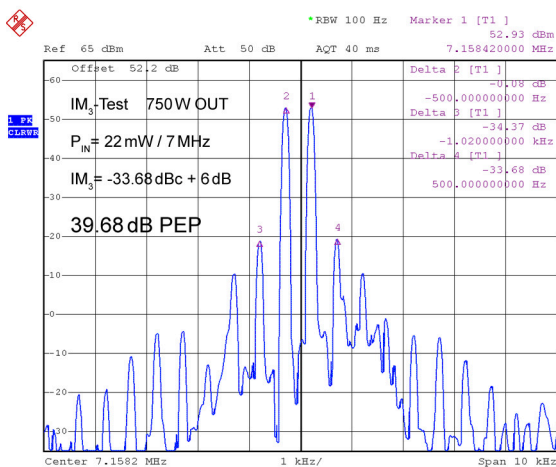
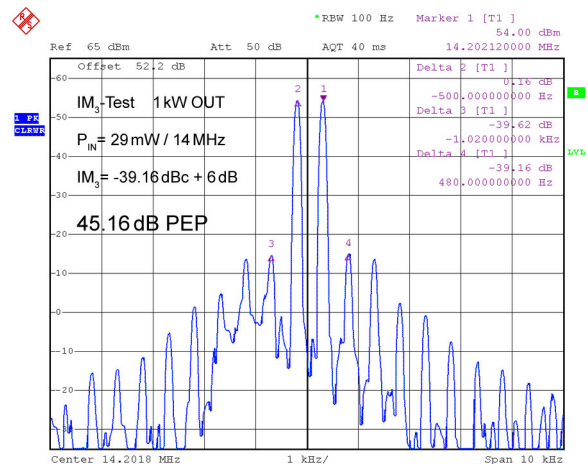
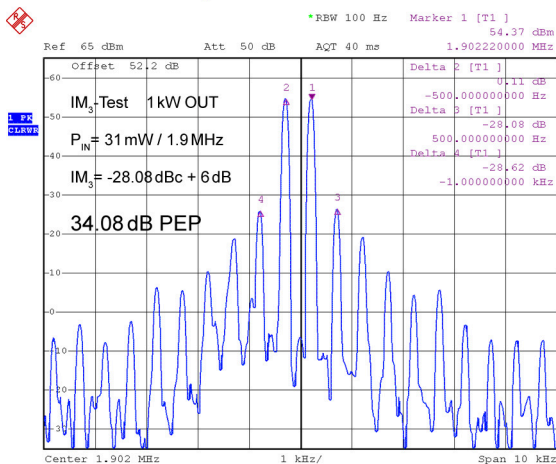
Technical specs subject to change without notice



# HPA-8000B BLOCK-DIAGRAM



## HPA-8000B IM<sub>3</sub>-Test typ. Measurements



**Hilberling GmbH**  
 Heinrich-Hertz-Straße 2  
 24790 Schacht-Audorf  
 GERMANY

Fon +49 (0) 4331 20171-0  
 Fax +49 (0) 4331 20171-10  
 info@hilberling.de