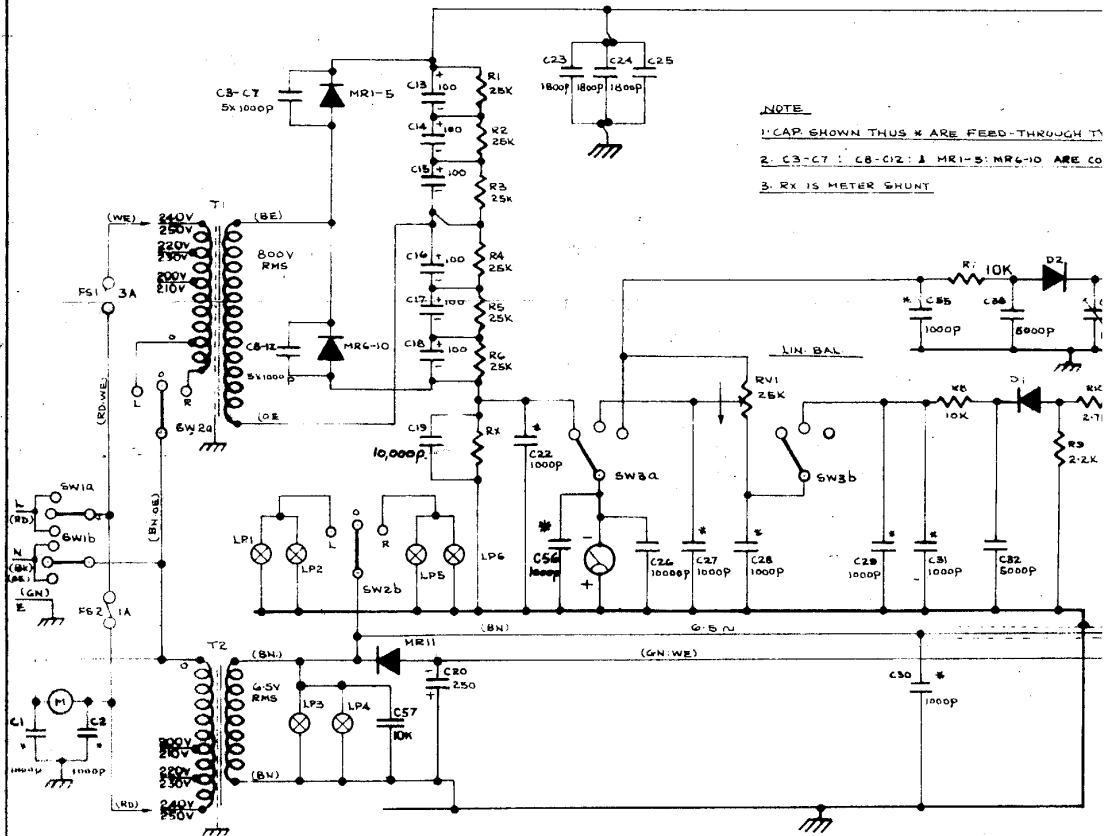


USED ON KW600

DRAWING NO

B 9005

THIRD ANGLE PROJECTION



**NOTE**  
 1. CAP. SHOWN THUS \* ARE FEED-THROUGH T  
 2. C3-C7, C8-C12, & MR1-5, MR6-10 ARE CO  
 3. RX IS METER SHUNT

	5	4-11-65	SEE AM.SHT 4062
	4	21-10-65	SEE AM.SHT. 4056
APP'D	3	6-10-65	SEE AM SHT 4050
CHECKED	2	17-9-65	L6 b AND LINE DELETED. RFC2 AND C5* ADDED. AMEND SWEET 4041.
DRAWN	1	4-2-65	
	ISSUE	DATE	

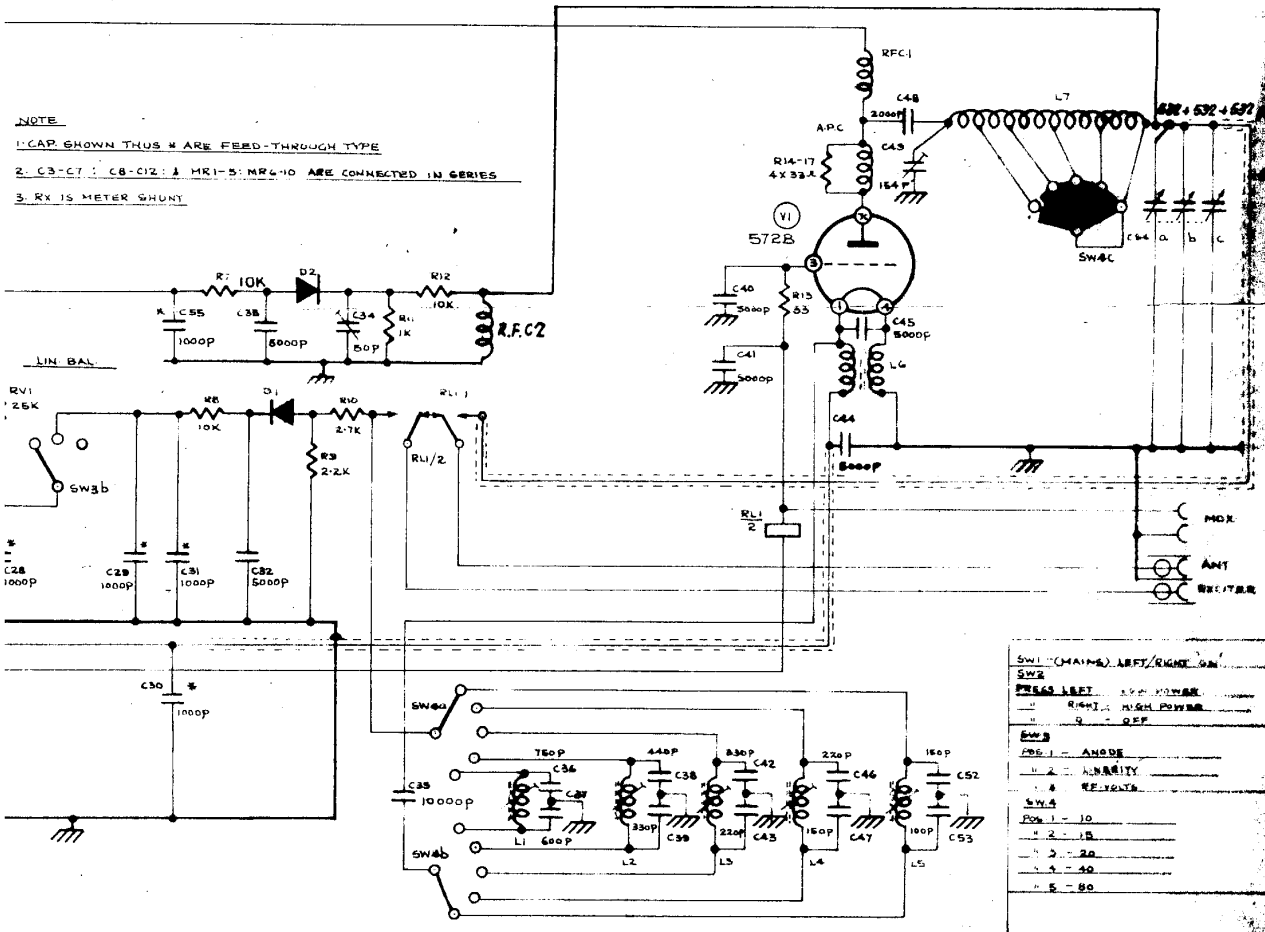
MATERIAL	TOLERANCES
FINISH	

SCALE \_\_\_\_\_ DIMENSIONS II

# IRD ANGLE PROJECTION

**NOTE**

1. CAP. SHOWN THUS \* ARE FEED-THROUGH TYPE
2. C3-C7 ; C8-C12 ; R1-5 ; R6-10 ARE CONNECTED IN SERIES
3. RX IS METER SHUNT



TOLERANCES
DIMENSIONS IN INCHES

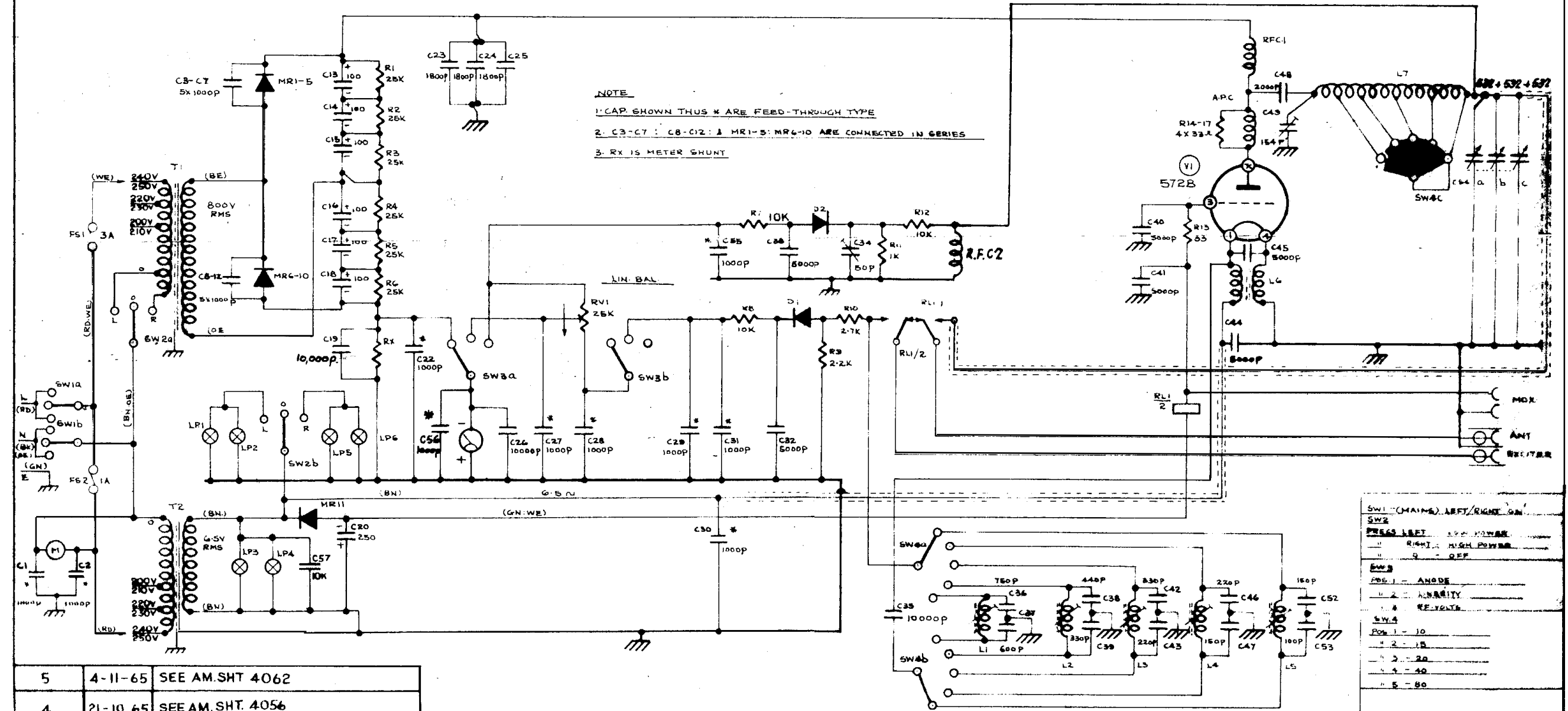
<b>K. W. ELECTRONICS DARTFORD KENT</b>	
TITLE	DRG. N°
CIRCUIT DIAGRAM (KW 600.)	B9005

USED ON KW600

DRAWING NO

B 9005

THIRD ANGLE PROJECTION



NOTE  
 1. CAP. SHOWN WITH \* ARE FEED-THROUGH TYPE  
 2. C3-C7, C8-C12, MR1-5, MR4-10 ARE CONNECTED IN SERIES  
 3. RX IS METER SHUNT

SW1 (MAIN) LEFT/RIGHT ON  
 SW2  
 PREGS LEFT 1500 POWER  
 RIGHT 1500 POWER  
 DEF  
 SW3  
 POS 1 - ANODE  
 2 - ANODITY  
 RE-GRATE  
 SW4  
 POS 1 - 10  
 2 - 15  
 3 - 20  
 4 - 30  
 5 - 50

5	4-11-65	SEE AM.SHT 4062
4	21-10-65	SEE AM.SHT. 4056
3	6-10-65	SEE AM.SHT 4050
2	17-9-65	L66 AND L76 DELETED RFC2 AND C56 ADDED. AMENDY SHEET 4041.
1	4-2-65	
ISSUE	DATE	

MATERIAL	TOLERANCES
FINISH	
SCALE	DIMENSIONS IN INCHES

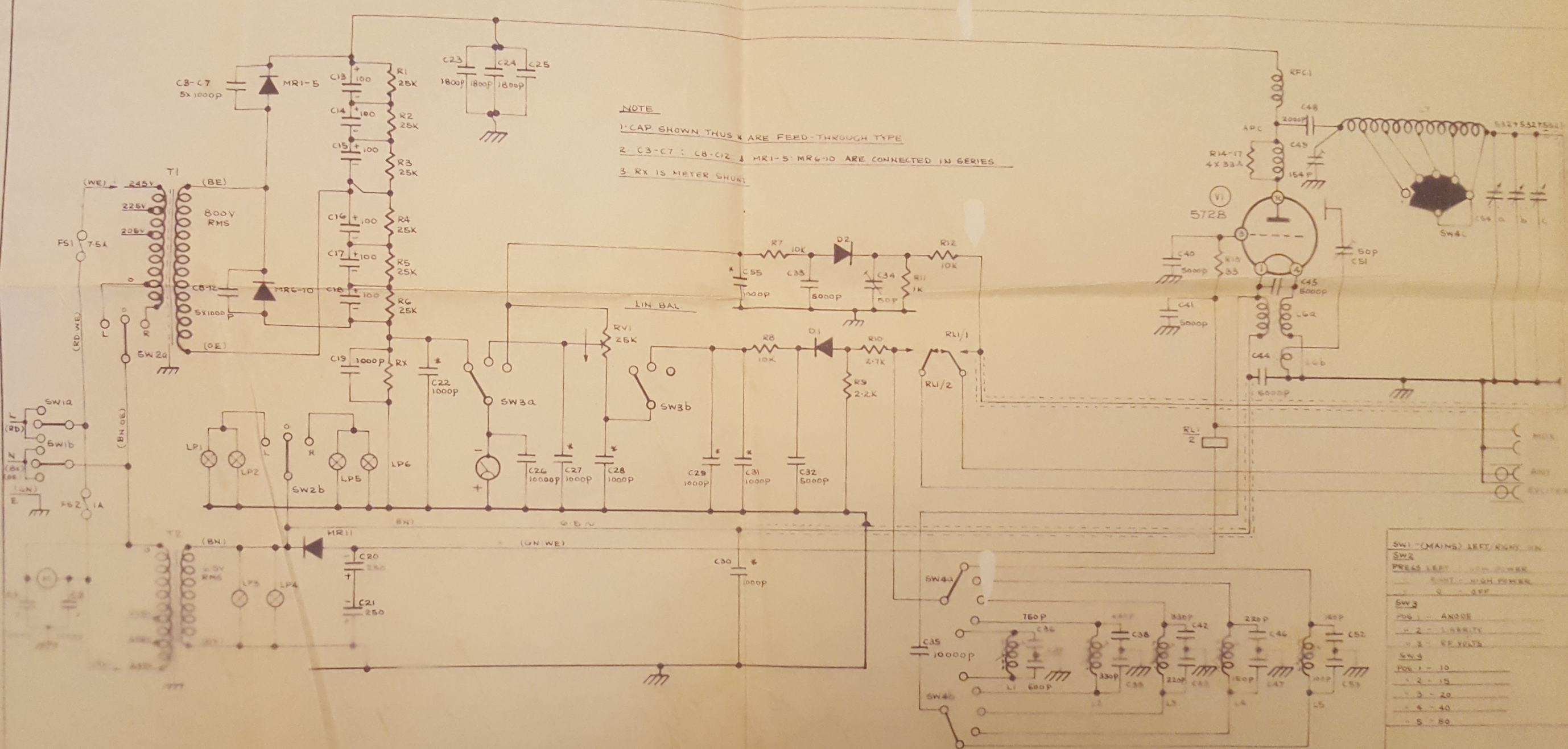
**K. W. ELECTRONICS DARTFORD KENT**

TITLE: CIRCUIT DIAGRAM (KW600.)

DRG. NO: B9005

APP'D  
 CHECKED  
 DRAWN





NOTE  
 1. CAP SHOWN THUS  $\square$  ARE FEED-THROUGH TYPE  
 2. C3-C7 : C8-C12 & MR1-5, MR6-10 ARE CONNECTED IN SERIES  
 3. RX IS METER SHUNT

SW1 (MAINS) LEFT, RIGHT, ON  
 SW2  
 POS 1 - LOW POWER  
 POS 2 - HIGH POWER  
 POS 3 - 50P  
 SW3  
 POS 1 - ANODE  
 POS 2 - SHIELD  
 POS 3 - 4P VOLTS  
 SW4  
 POS 1 - 10  
 POS 2 - 15  
 POS 3 - 20  
 POS 4 - 40  
 POS 5 - 80

APPROVED			MATERIAL	TOLERANCES	K. W. ELECTRONICS DARTFORD KENT	
CHECKED			FINISH		TITLE	DRG. NO
DRAWN	4-2-65		SCALE	DIMENSIONS IN INCHES	CIRCUIT DIAGRAM (KW 600)	B9005
ISSUE	DATE					