

RF CONCEPTS LLC BOULDER, COLORADO 80303			
8406 BLOCK DIAGRAM			
DRAWN BY: B. FICKEN	SIZE:	DWG NO. 8406	REV A
DATE: 06/23/10	SCALE: NONE	SHEET 1 OF 1	

6

5

4

3

2

1

D

C

B

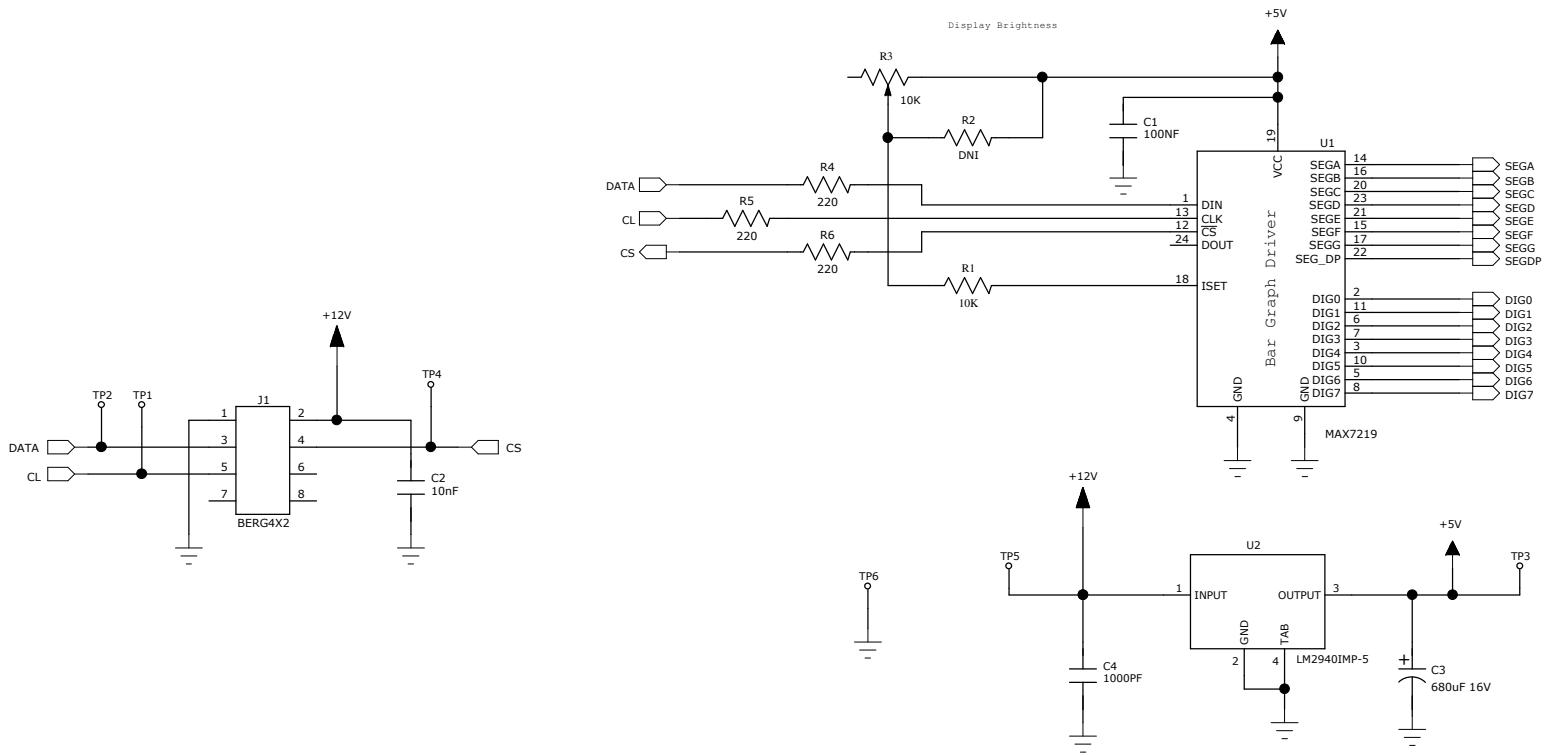
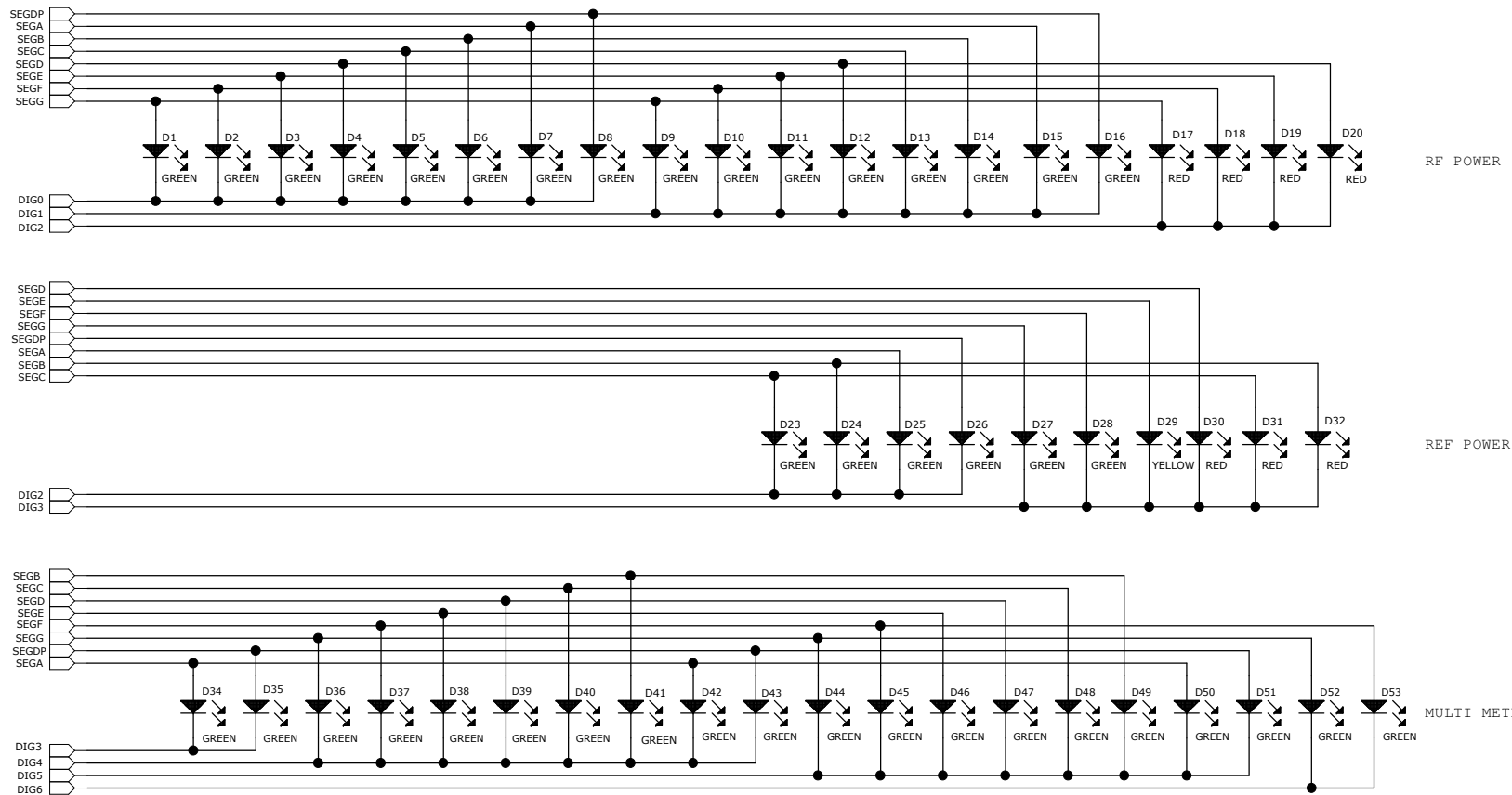
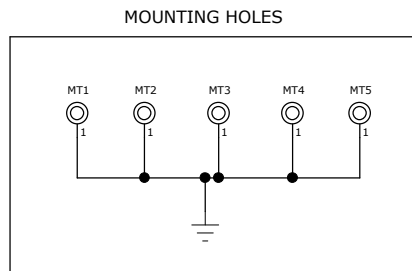
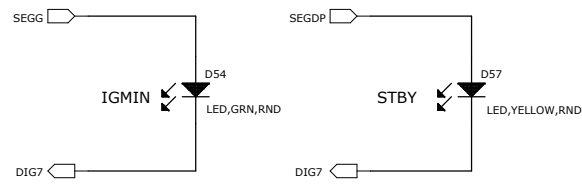
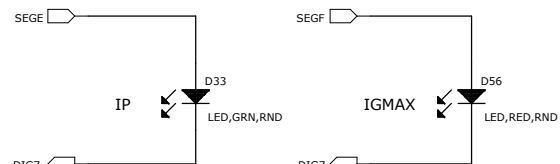
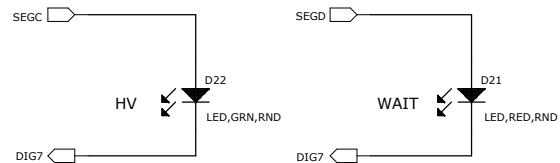
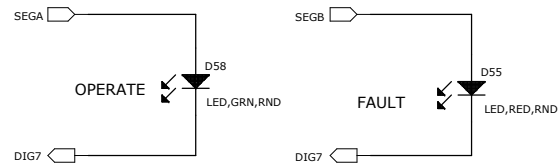
A

D

C

B

A



UNLESS OTHERWISE SPECIFIED DIMENSIONS ARE IN INCHES TOLERANCES ARE: XX +/- 0.01 ANGLE: 0.5 .XXX +/- 0.001	PROJECT NO. 8406	RF CONCEPTS LLC 6185 ARAPAHOE RD. BOULDER, COLORADO 80303 PHONE: (303) 473-9232 FAX: (303) 473-9660
	ENGINEER: G. HARDMAN DATE: 12/15/08 DRAWN BY: B. FOCKEN DRAFT DATE: 12/15/08	
PROPRIETARY NOTICE: THIS DOCUMENT AND DATA DISCLOSED HEREIN AND HEREWITH IS NOT TO BE REPRODUCED, USED, OR DISCLOSED IN WHOLE OR ANY PART TO ANYONE WITHOUT THE PERMISSION OF RF CONCEPTS LLC.	TITLE: SCH,8406,DIGITAL DISPLAY	
SIZE C	DRAWING # BCX-X4286	REV. 3
PADS POWERLOGIC DRAWING	SCALE	SHEET 1 OF 1

6

5

4

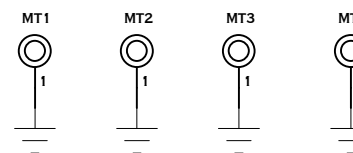
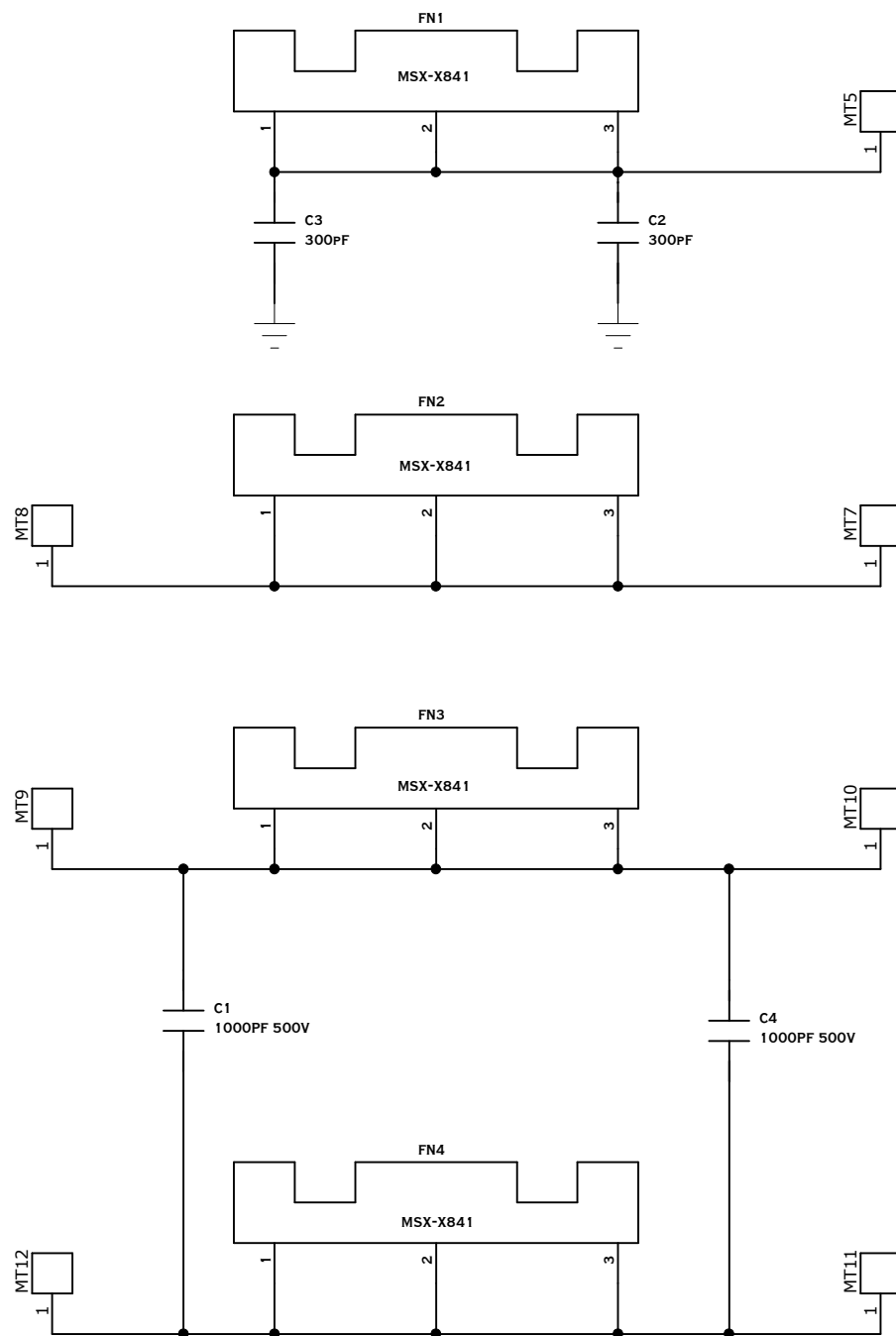
3

2

1

REVISION HISTORY

REV	ECO NO.	DESCRIPTION	CHANGED BY & DATE	CHECKED BY & DATE	EFFECTIVITY DATE



UNLESS OTHERWISE SPECIFIED
DIMENSIONS ARE IN INCHES
TOLERANCES ARE:
.XX +/- 0.01 ANGLE: 0.5
.XXX +/- 0.001

PROPRIETARY NOTICE:
THIS DOCUMENT AND DATA DISCLOSED
HEREIN AND HERewith IS NOT
TO BE REPRODUCED, USED,
OR DISCLOSED IN WHOLE OR
ANY PART TO ANYONE WITHOUT
THE PERMISSION OF ALPHA RADIO PRODUCTS LLC.

PROJECT NO. **8406**
ENGINEER: **G. HARDMAN** DATE: **04/30/08**
DRAWN BY: **B. FOCKEN** DRAFT DATE: **04/30/08**

DRAWING FILE:
BCX-X4356_REV_2.SCH
PADS POWERLOGIC DRAWING

RF CONCEPTS LLC
6185 ARAPAHOE RD.
BOULDER, COLORADO 80303
PHONE: (303) 473-9232
FAX: (303) 473-9660

TITLE:
SCH,TUBE SOCKET,8406

SIZE B	DRAWING # BCX-X4356	REV. 2
------------------	-------------------------------	------------------

SCALE SHEET 1 OF 1

D

C

B

A

D

C

B

A

6

5

4

3

2

1

D

D

C

C

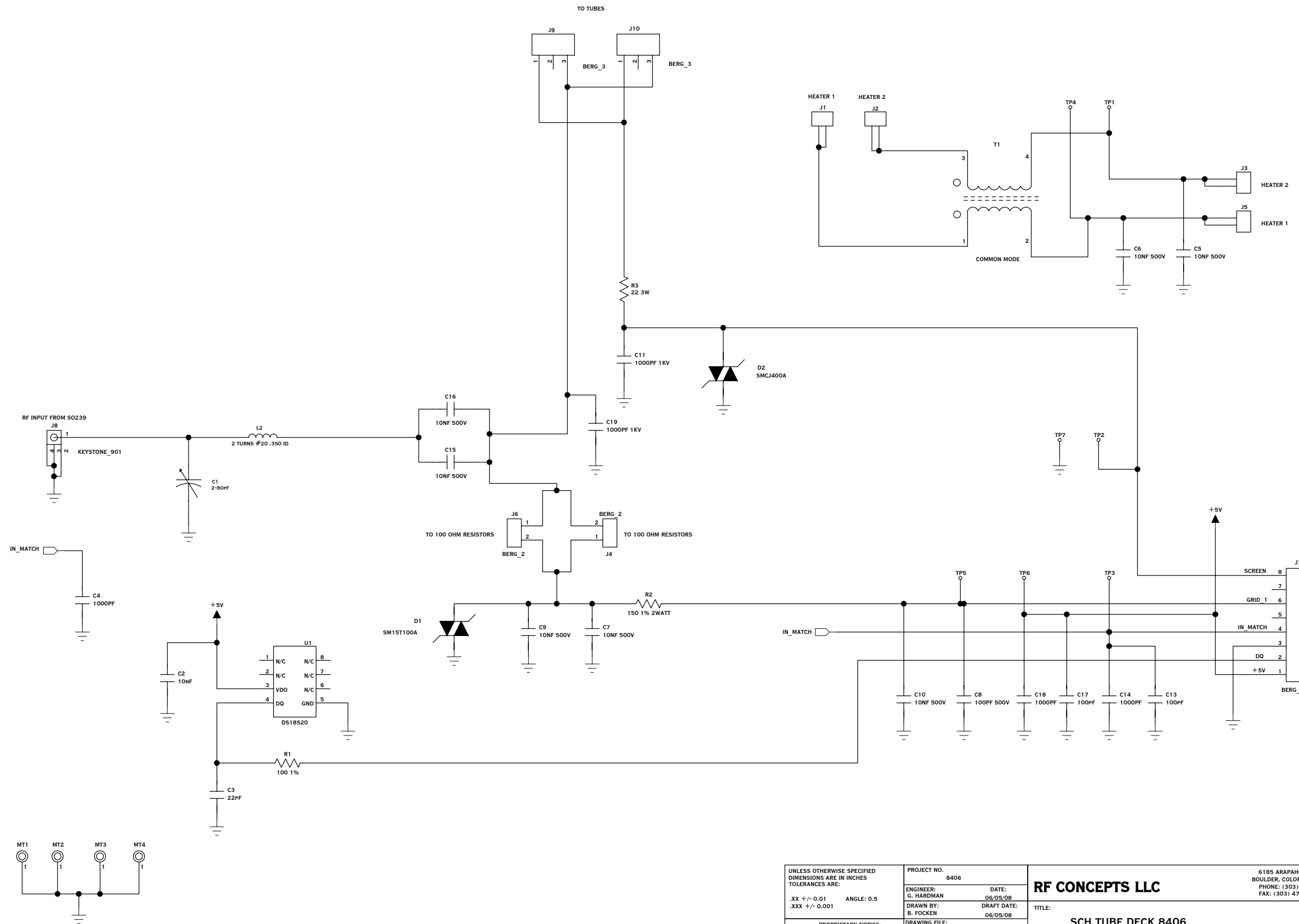
B

B

A

A

REVISION HISTORY					
REV	ECO NO.	DESCRIPTION	CHANGED BY & DATE	CHECKED BY & DATE	EFFECTIVITY DATE

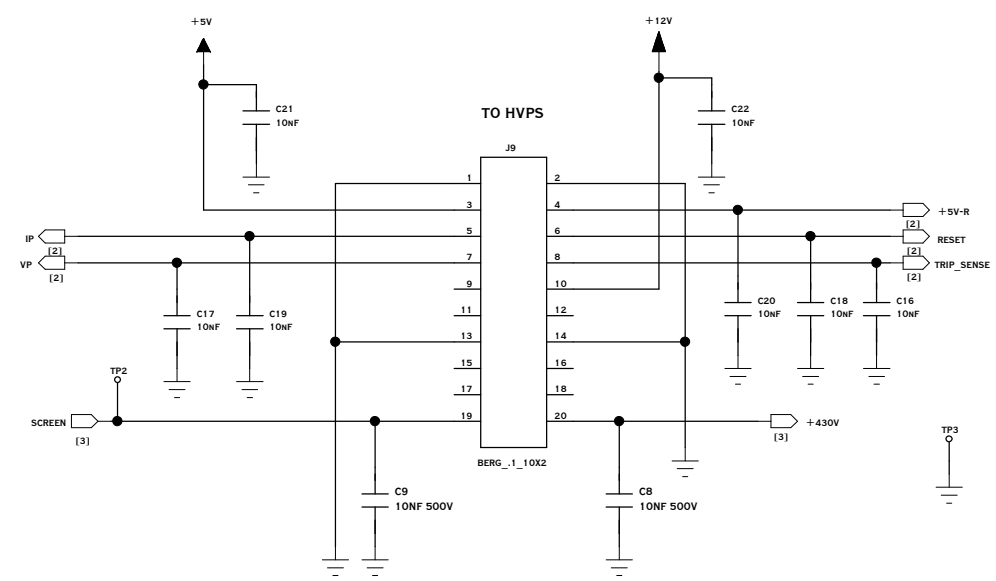


UNLESS OTHERWISE SPECIFIED DIMENSIONS ARE IN INCHES TOLERANCES ARE: .XX +/- 0.01 ANGLE: 0.5 .XXX +/- 0.001	PROJECT NO. 8406	RF CONCEPTS LLC 6185 ARAPAHOE RD. BOULDER, COLORADO 80303 PHONE: (303) 473-9232 FAX: (303) 473-9660	
	ENGINEER: G. HARDMAN DRAWN BY: B. FOCKEN		
PROPRIETARY NOTICE: THIS DOCUMENT AND DATA DISCLOSED HEREIN AND HEREWITH IS NOT TO BE REPRODUCED, USED, OR DISCLOSED IN WHOLE OR ANY PART TO ANYONE WITHOUT THE PERMISSION OF RF CONCEPTS LLC.	DRAWING FILE: BCX-X4376_REV_1.SCH TUBE DECK	TITLE: SCH,TUBE DECK,8406	
PADS POWERLOGIC DRAWING	SCALE	SIZE c	DRAWING # BCX-X4376
SHEET 1 OF 1			REV. 2

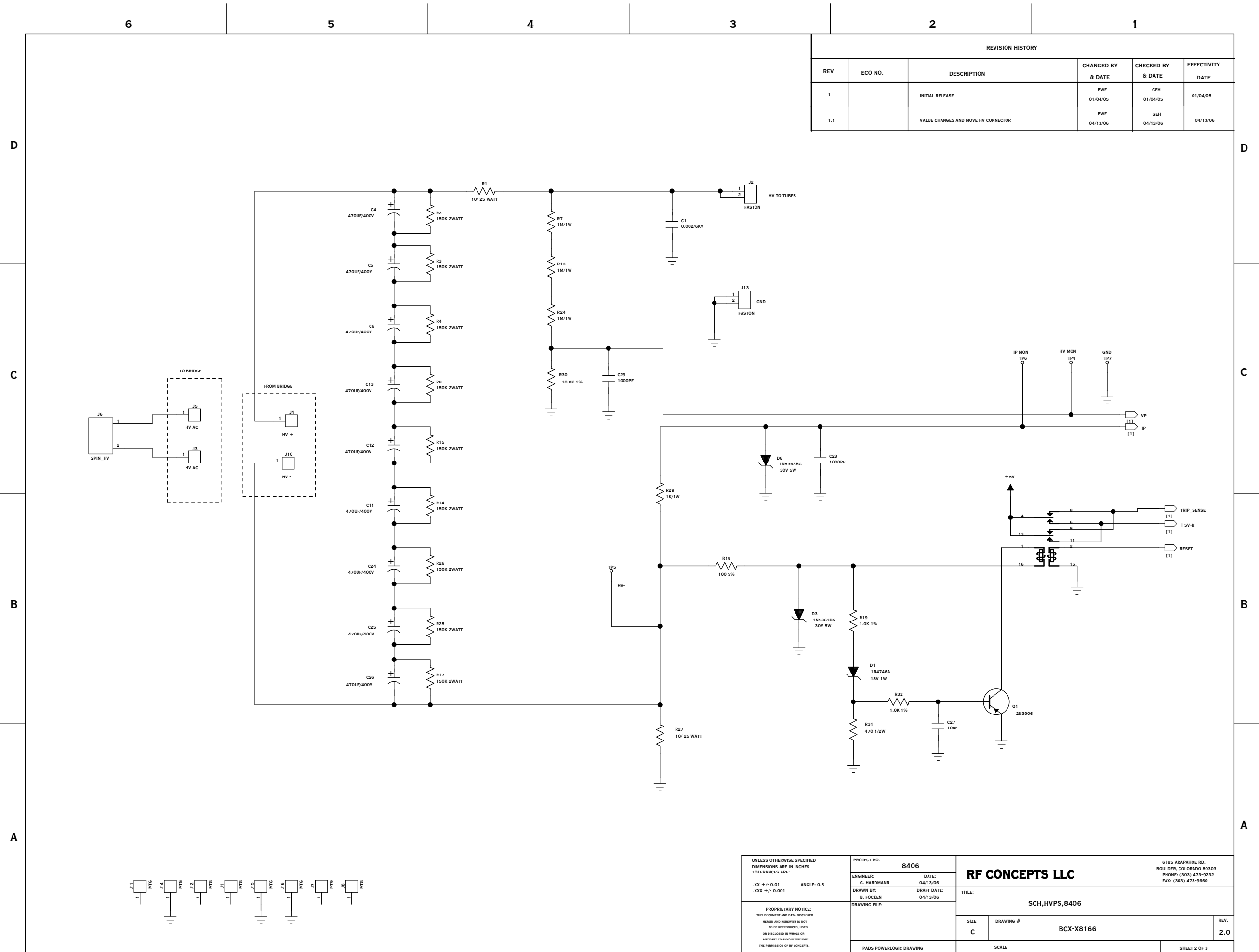
6 5 4 3 2 1

REVISION HISTORY					
REV	ECO NO.	DESCRIPTION	CHANGED BY & DATE	CHECKED BY & DATE	EFFECTIVITY DATE

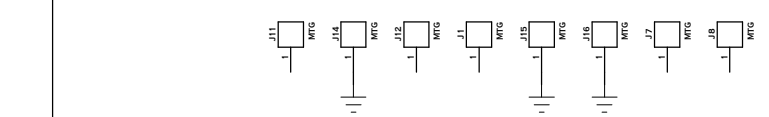
D
C
B
A



<small>UNLESS OTHERWISE SPECIFIED DIMENSIONS ARE IN INCHES TOLERANCES ARE: XX +/- 0.01 ANGLE: 0.5 XXX +/- 0.001</small>	<small>PROJECT NO.</small> 8406	RF CONCEPTS LLC <small>6185 ARAPAHOE RD. BOULDER, COLORADO 80303 PHONE: (303) 473-9232 FAX: (303) 473-9660</small>	
	<small>ENGINEER:</small> G. HARDMAN <small>DATE:</small> 01/03/07 <small>DRAWN BY:</small> B. FOCKEN <small>DRAFT DATE:</small> 01/03/07 <small>DRAWING FILE:</small> BCX-X8166_REV_2.SCH		<small>TITLE:</small> SCH,HVPS,8406
<small>PROPRIETARY NOTICE: THIS DOCUMENT AND DATA DISCLOSED HEREIN AND HEREAFTER IS NOT TO BE REPRODUCED, USED, OR DISCLOSED IN WHOLE OR ANY PART TO ANYONE WITHOUT THE PERMISSION OF RF CONCEPTS LLC.</small>	<small>SIZE</small> C	<small>DRAWING #</small> BCX-X8166	<small>REV.</small> 2.0
<small>PADS POWERLOGIC DRAWING</small>	<small>SCALE</small>	<small>SHEET 1 OF 3</small>	



REVISION HISTORY					
REV	ECO NO.	DESCRIPTION	CHANGED BY & DATE	CHECKED BY & DATE	EFFECTIVITY DATE
1		INITIAL RELEASE	BWF 01/04/05	GEH 01/04/05	01/04/05
1.1		VALUE CHANGES AND MOVE HV CONNECTOR	BWF 04/13/06	GEH 04/13/06	04/13/06



UNLESS OTHERWISE SPECIFIED DIMENSIONS ARE IN INCHES TOLERANCES ARE: XX +/- 0.01 ANGLE: 0.5 XXX +/- 0.001	PROJECT NO. 8406	RF CONCEPTS LLC 6185 ARAPAHOE RD. BOULDER, COLORADO 80303 PHONE: (303) 473-9232 FAX: (303) 473-9660
	ENGINEER: G. HARDMANN DATE: 04/13/06	
PROPRIETARY NOTICE: THIS DOCUMENT AND DATA DISCLOSED HEREIN AND HEREWITH IS NOT TO BE REPRODUCED, USED, OR DISCLOSED IN WHOLE OR ANY PART TO ANYONE WITHOUT THE PERMISSION OF RF CONCEPTS.	DRAWN BY: B. FOCKEN DRAFT DATE: 04/13/06	TITLE: SCH, HVPS, 8406
	DRAWING FILE:	SIZE: C DRAWING #: BCX-X8166 REV: 2.0
	PADS POWERLOGIC DRAWING	SCALE: SHEET 2 OF 3

6 5 4 3 2 1

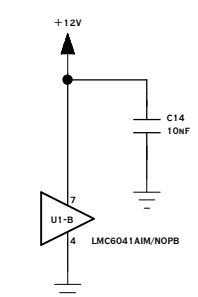
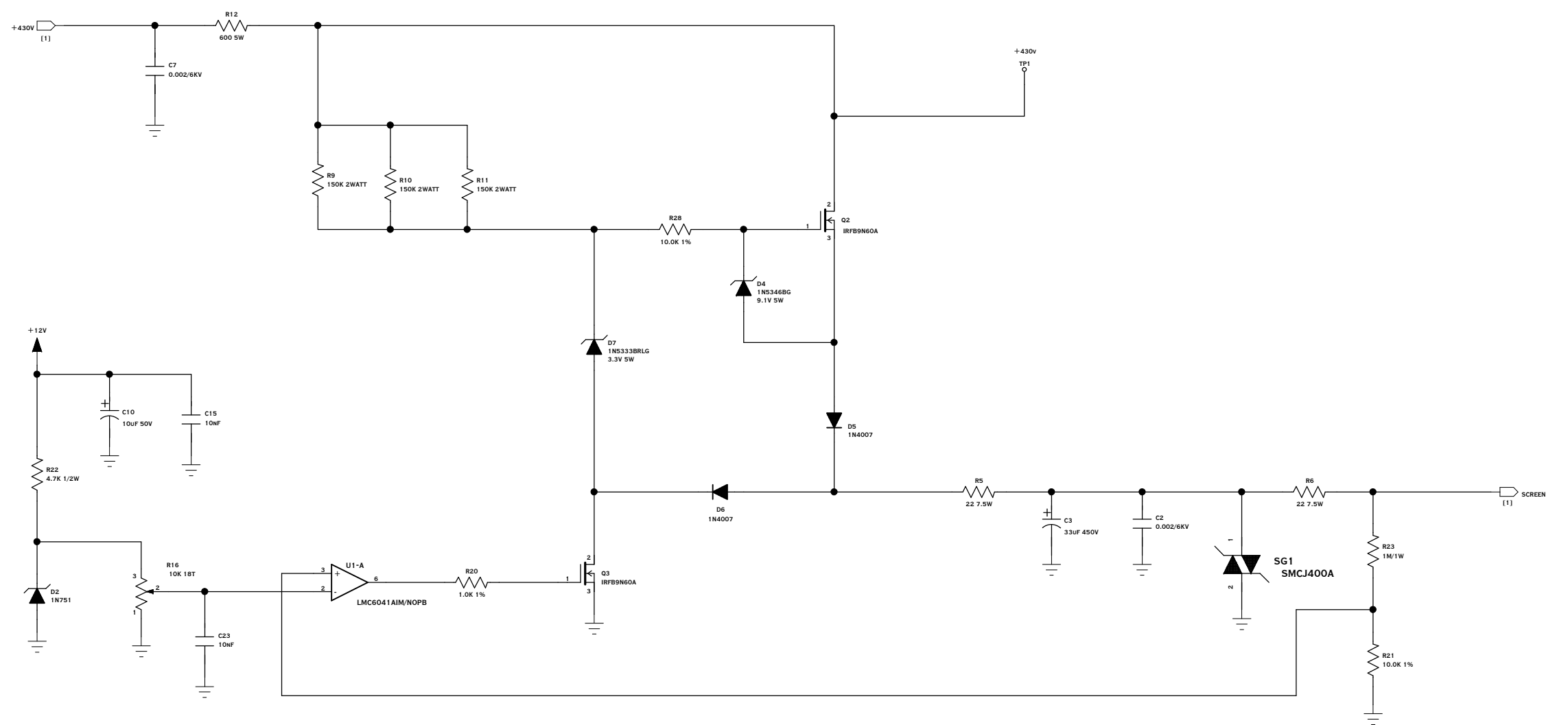
REVISION HISTORY					
REV	ECO NO.	DESCRIPTION	CHANGED BY & DATE	CHECKED BY & DATE	EFFECTIVITY DATE

D D

C C

B B

A A

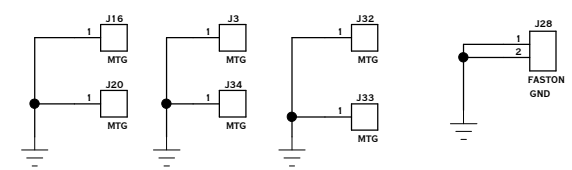
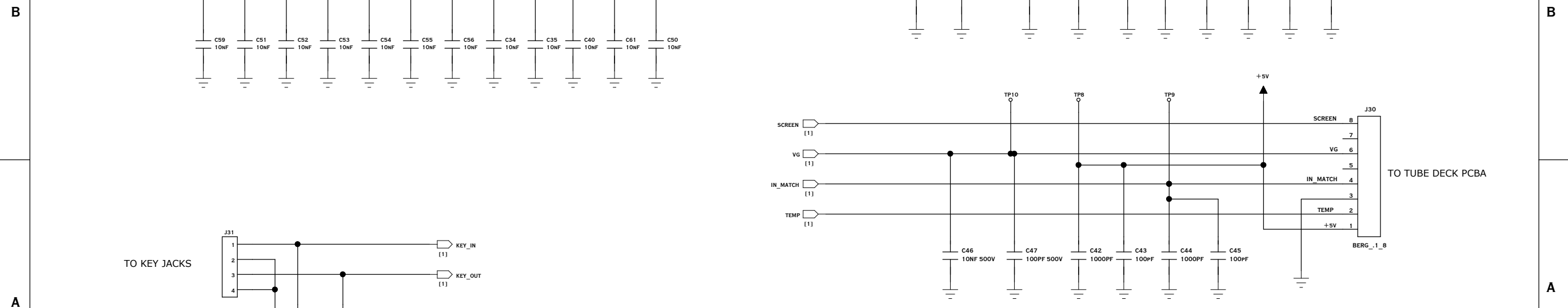
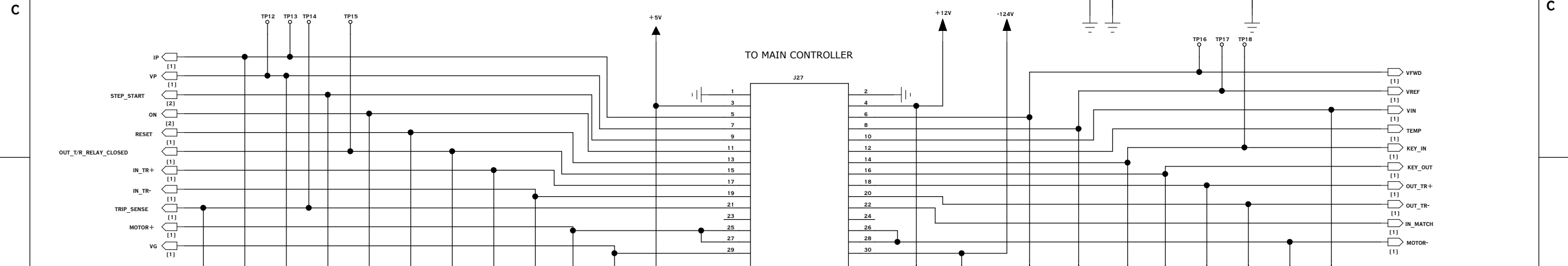
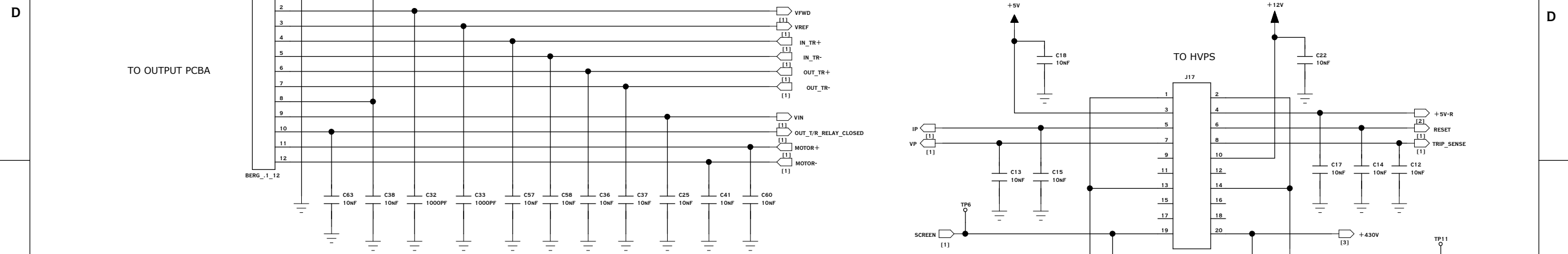


COMPONENT TYPE = ELECTRICAL
CATEGORY = CUSTOM
DESIGNATION = NONE

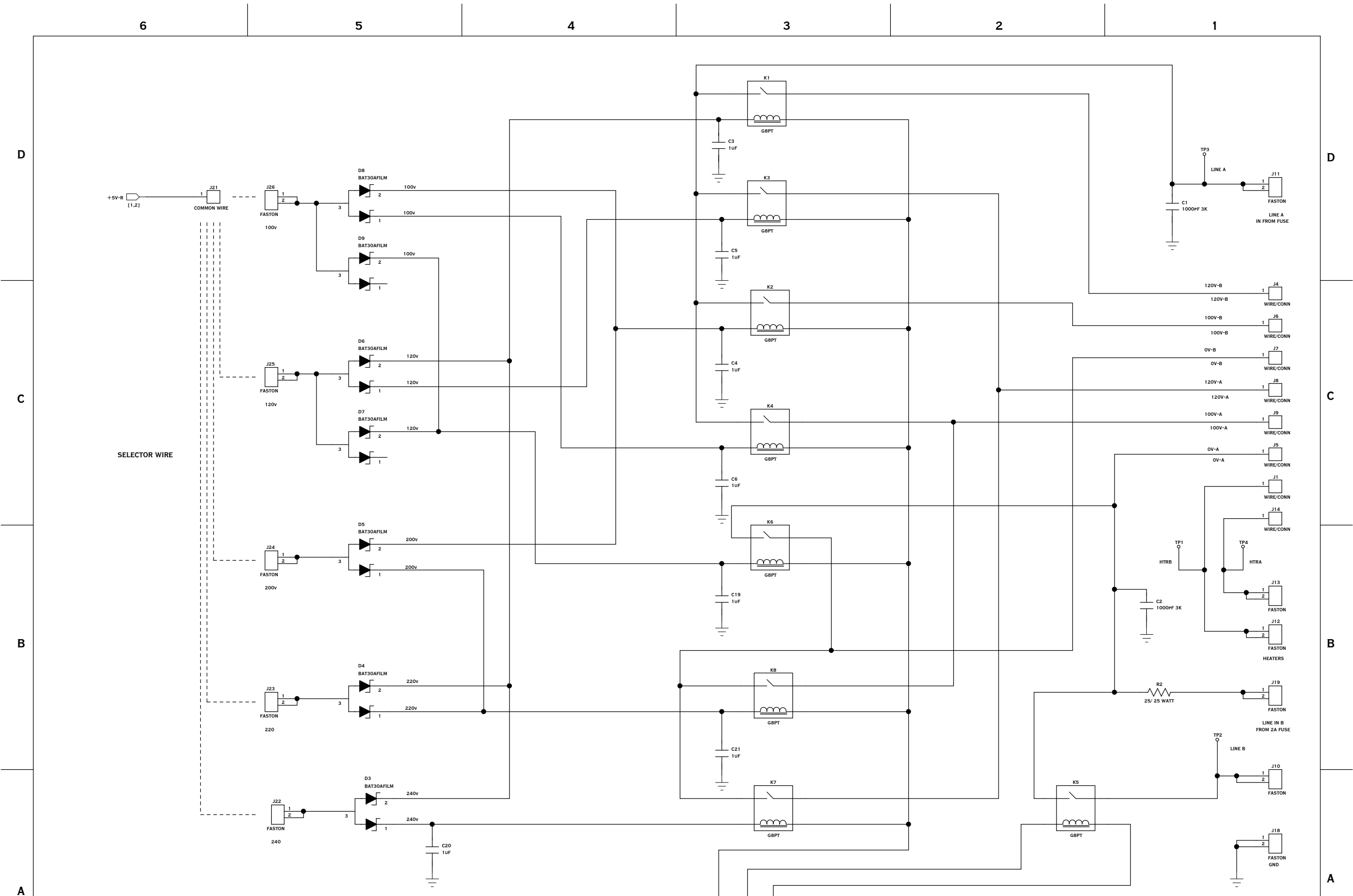
UNLESS OTHERWISE SPECIFIED DIMENSIONS ARE IN INCHES TOLERANCES ARE: XX +/- 0.01 ANGLE: 0.5 XXX +/- 0.001	PROJECT NO. 8406	RF CONCEPTS LLC 6185 ARAPAHOE RD. BOULDER, COLORADO 80303 PHONE: (303) 473-9232 FAX: (303) 473-9660
	ENGINEER: G. HARDMAN DATE: 01/03/07	
PROPRIETARY NOTICE: THIS DOCUMENT AND DATA DISCLOSED HEREIN AND HEREWITH IS NOT TO BE REPRODUCED, USED, OR DISCLOSED IN WHOLE OR ANY PART TO ANYONE WITHOUT THE PERMISSION OF RF CONCEPTS LLC.	DRAWN BY: B. FOCKEN DRAFT DATE: 01/03/07	TITLE: SCH,HVPS,8406
DRAWING FILE: BCX-X8166_REV_2.SCH	SIZE C	DRAWING # BCX-X4216
PADS POWERLOGIC DRAWING	SCALE	REV. 2.0
SHEET 3 OF 3		

6 5 4 3 2 1

REVISION HISTORY					
REV	ECO NO.	DESCRIPTION	CHANGED BY & DATE	CHECKED BY & DATE	EFFECTIVITY DATE



UNLESS OTHERWISE SPECIFIED DIMENSIONS ARE IN INCHES TOLERANCES ARE: .XX - .1 - 0.01 .XXX - .1 - 0.001 ANGLE: 0.5 PROPRIETARY NOTE: THIS DOCUMENT AND DATA DISCLOSED HEREIN ARE UNCLASSIFIED TO THE PUBLIC UNLESS INDICATED OTHERWISE. UNLESS OTHERWISE INDICATED, THIS IS NOT PART OF THE DESIGN AND THE RESPONSIBILITY OF THE USER.	PROJECT NO. 8406	RF CONCEPTS LLC 6185 ARAPAHOE RD. BOULDER, COLORADO 80303 PHONE: (303) 473-9232 FAX: (303) 473-9660
	ENGINEER: G. HARDMAN DATE: 02/05/09	
DRAWING FILE: BCX-X8156_REV_2.SCH	DRAWN BY: B. FOCKEN DRAFT DATE: 02/05/09	TITLE: SCH, ALPHA 8406, MAINS
	PADS POWERLOGIC DRAWING	SIZE: C DRAWING #: BCX-X8156
SCALE:		SHEET 1 OF 3



+5V-R
[1,2]

120v

200v

220

240

ON
[1]

STEP_START
[1]

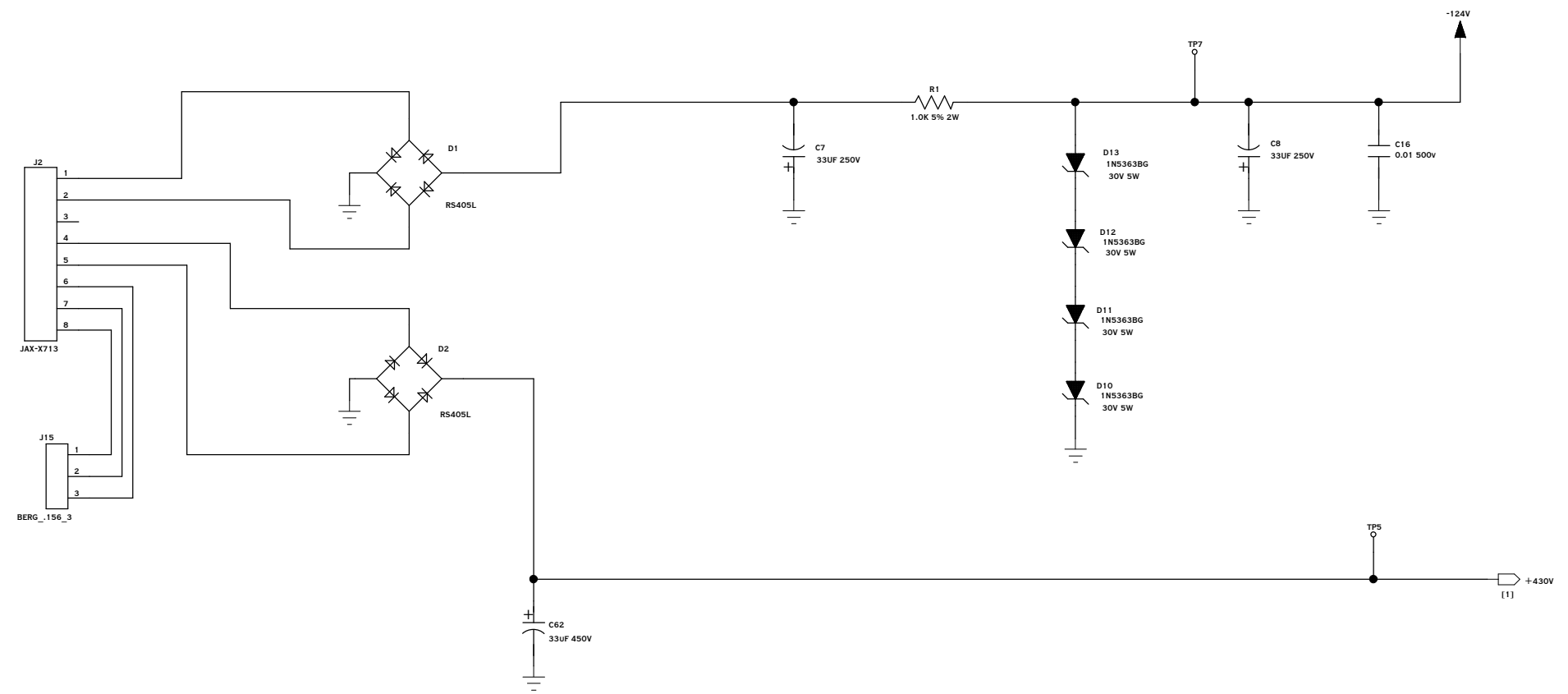
+5V-R
[1,2]

UNLESS OTHERWISE SPECIFIED DIMENSIONS ARE IN INCHES TOLERANCES ARE: .XX ±0.01 ANGLE: 0.5 .XXX ±0.001	PROJECT NO. 8406	RF CONCEPTS LLC 6185 ARAPAHOE RD. BOULDER, COLORADO 80303 PHONE: 303-473-9232 FAX: 303-473-9660		
	DRAWN BY: B. FOCKEN	DRAFT DATE: 02/05/09	TITLE: SCH,ALPHA 8406,MAINS	
PROPRIETARY NOTICE: THIS DOCUMENT AND DATA DISCLOSED HEREIN AND HEREWITH IS NOT TO BE REPRODUCED, USED, OR DISCLOSED IN WHOLE OR ANY PART TO ANYONE WITHOUT THE PERMISSION OF RF CONCEPTS LLC.	DRAWING FILE: BCX-X8156_REV_2.SCH	SIZE C	DRAWING # BCX-8156	REV. 2
PADS POWERLOGIC DRAWING		SCALE		SHEET 2 OF 3

6 5 4 3 2 1

D
C
B
A

D
C
B
A



<small>UNLESS OTHERWISE SPECIFIED DIMENSIONS ARE IN INCHES TOLERANCES ARE: XX +/- 0.01 ANGLE: 0.5 XXX +/- 0.001</small>	<small>PROJECT NO.</small> 8406	<small>6105 ARAPAHOE RD. BOULDER, COLORADO 80303 PHONE: 303-473-9232 FAX: 303-473-9660</small>		
	<small>DRAWN BY:</small> B. FOCKEN	<small>DRAFT DATE:</small> 02/05/09	<small>TITLE:</small> SCH,ALPHA 8406 MAINS	
<small>PROPRIETARY NOTICE: THIS DOCUMENT AND DATA DISCLOSED HEREIN AND HEREWITH IS NOT TO BE REPRODUCED, USED, OR DISCLOSED IN WHOLE OR ANY PART TO ANYONE WITHOUT THE PERMISSION OF RF CONCEPTS.</small>	<small>DRAWING FILE:</small> BCX-X8156_REV_2.SCH	<small>SIZE</small> C	<small>DRAWING #</small> BCX-8156	<small>REV.</small> 2
	<small>PADS POWERLOGIC DRAWING</small>	<small>SCALE</small>	<small>SHEET 3 OF 3</small>	

6

5

4

3

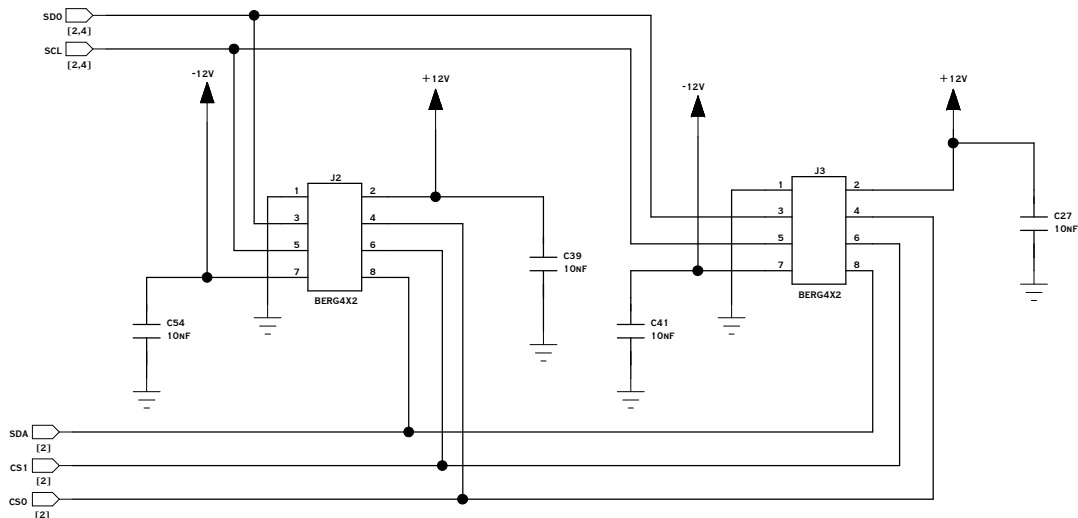
2

1

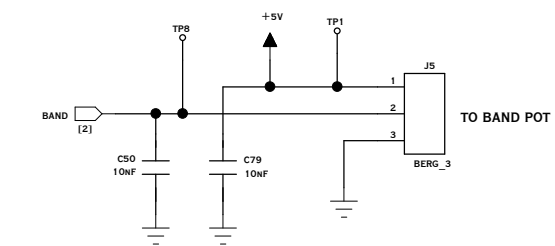
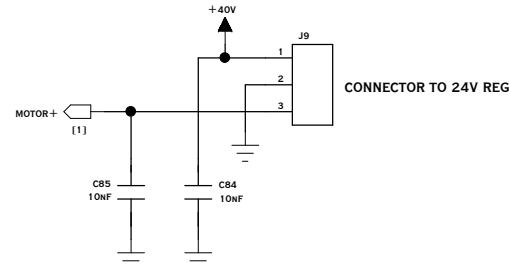
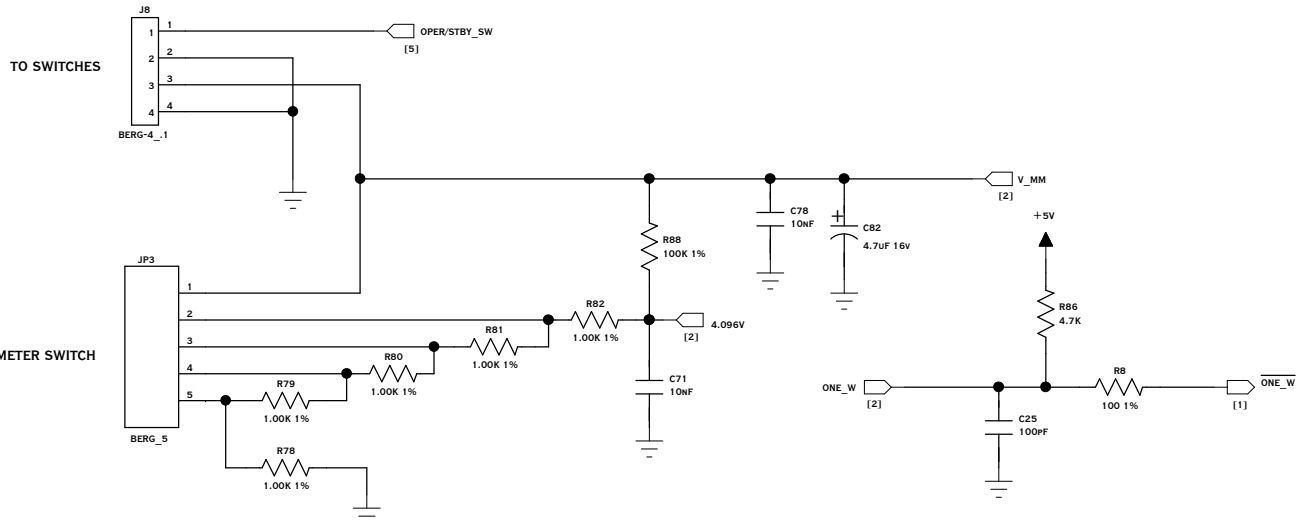
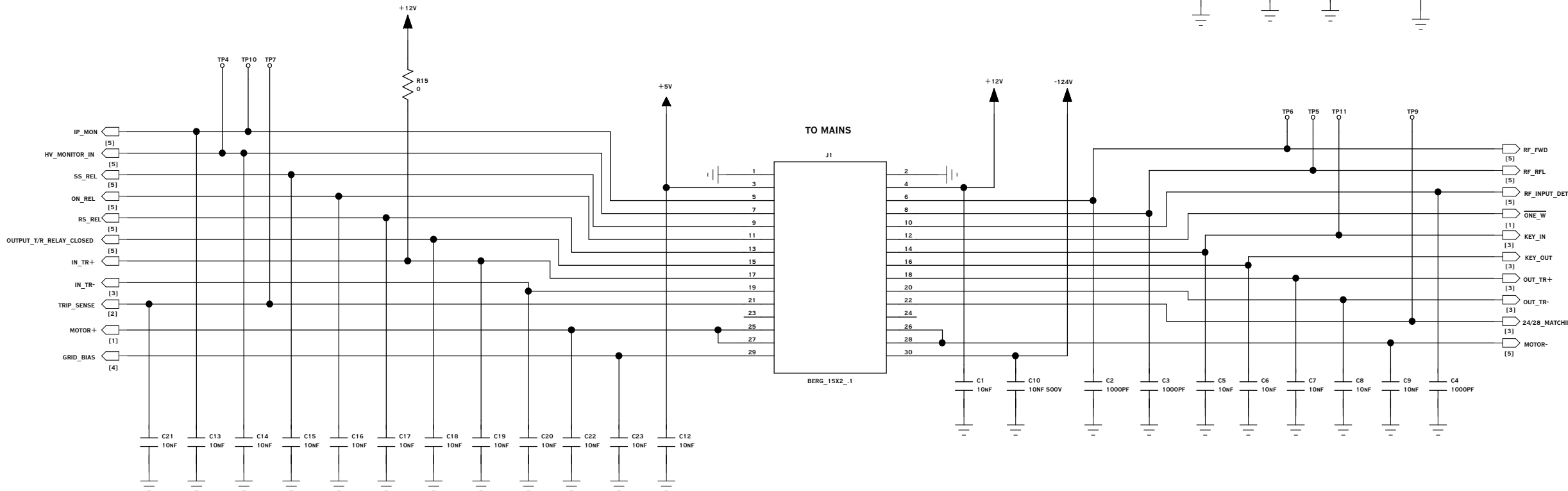
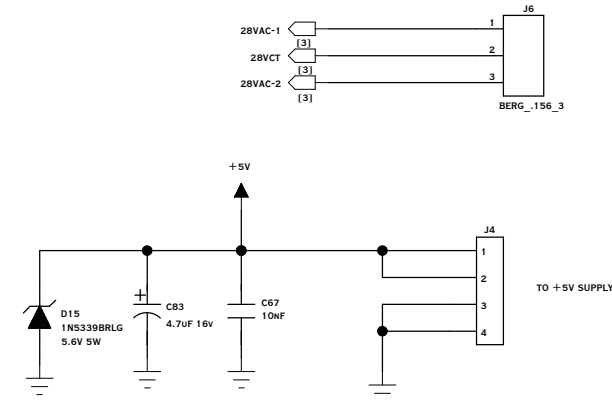
REVISION HISTORY

REV	ECO NO.	DESCRIPTION	CHANGED BY & DATE	CHECKED BY & DATE	EFFECTIVITY DATE
A		PRODUCTION RELEASE	BWF 12/18/09	GEH 12/18/09	12/18/09

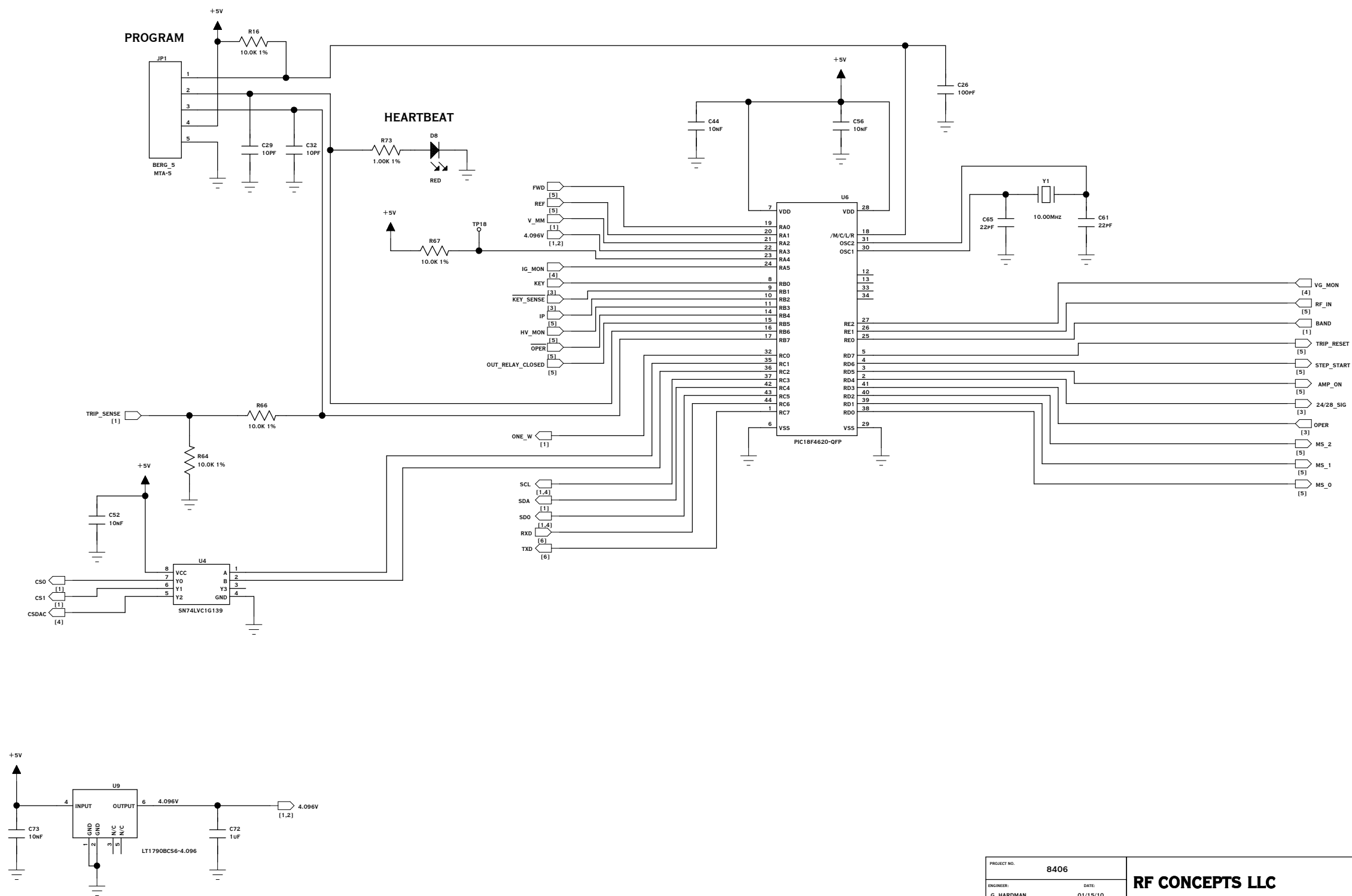
SPI CONNECTIONS



FROM TRANSFORMER SECONDARY



UNLESS OTHERWISE SPECIFIED DIMENSIONS ARE IN INCHES TOLERANCES ARE: XX +/- 0.01 ANGLE: 0.5 XXX +/- 0.001	PROJECT NO. 8406 ENGINEER: G. HARDMAN DATE: 01/15/10 DRAWN BY: B. FOCKEN DRAFT DATE: 01/15/10 DRAWING FILE:	RF CONCEPTS LLC 6185 ARAPAHOE RD. BOULDER, COLORADO 80303 PHONE: (303) 473-9232 FAX: (303) 473-9660	
	PROPRIETARY NOTICE: THIS DOCUMENT AND DATA DISCLOSED HEREIN AND HEREWITH IS NOT TO BE REPRODUCED, USED, OR DISCLOSED IN WHOLE OR ANY PART TO ANYONE WITHOUT THE PERMISSION OF RF CONCEPTS LLC.	TITLE: ALPHA 8406 CONTROLLER SIZE: C DRAWING #: ABX-X4396 SCALE:	REV. A



PROJECT NO. 8406		6185 ARAPAHOE RD. BOULDER, COLORADO 80303 PHONE: (303) 473-9232 FAX: (303) 473-9660	
ENGINEER: G. HARDMAN DATE: 01/15/10		RF CONCEPTS LLC	
DRAWN BY: B. FOCKEN DRAFT DATE: 01/15/10		TITLE: ALPHA 8406 CONTROLLER	
DRAWING FILE: BCX-X4396_REV_A.SCH		SIZE: C	REV: A
PROCESSOR		DRAWING #: ABX-X4396	
PADS POWERLOGIC DRAWING		SCALE:	SHEET 2 OF 6

D

D

C

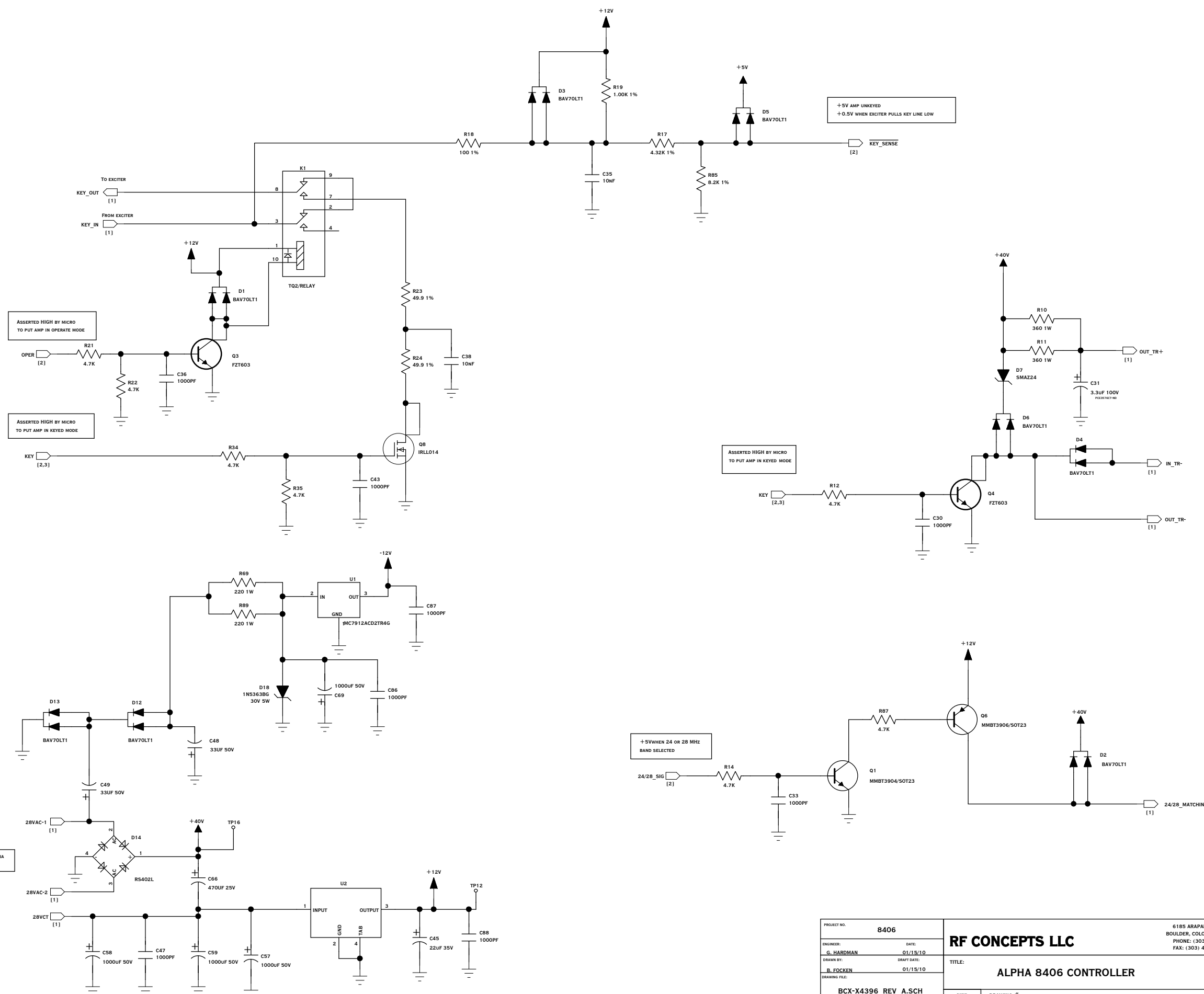
C

B

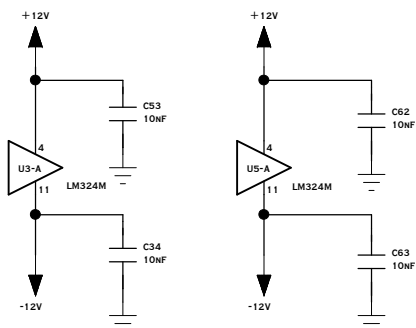
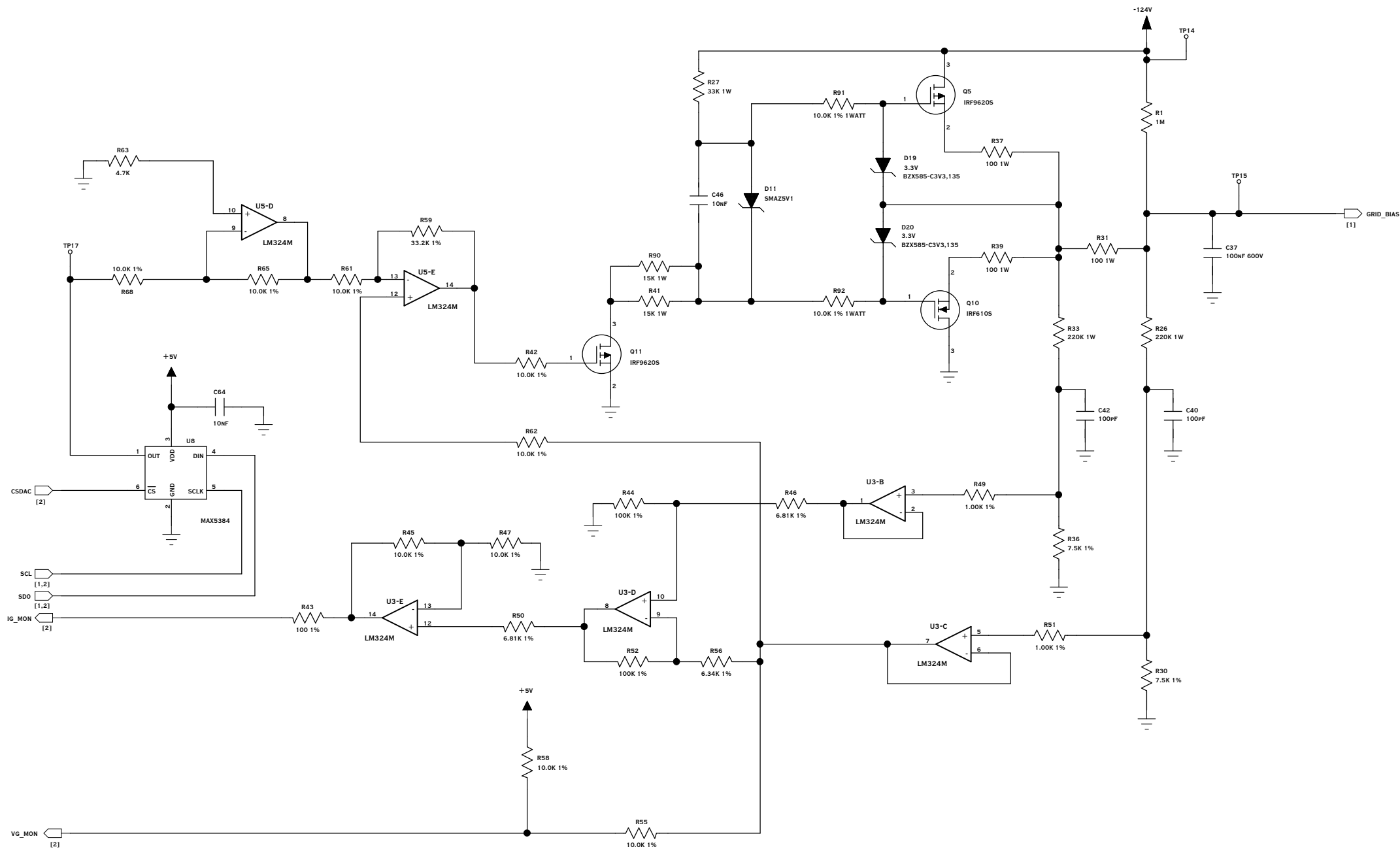
B

A

A



PROJECT NO. 8406		6185 ARAPAHOE RD. BOULDER, COLORADO 80303 PHONE: (303) 473-9232 FAX: (303) 473-9660	
ENGINEER: G. HARDMAN DATE: 01/15/10		RF CONCEPTS LLC	
DRAWN BY: B. FOCKEN DRAFT DATE: 01/15/10		TITLE: ALPHA 8406 CONTROLLER	
DRAWING FILE: BCX-X4396_REV_A.SCH		SIZE: C	REV: A
LV POWER SUPPLY		DRAWING #: ABX-X4396	
PADS POWERLOGIC DRAWING		SCALE:	SHEET 3 OF 6



PROJECT NO. 8406	6185 ARAPAHOE RD. BOULDER, COLORADO 80303 PHONE: (303) 473-9232 FAX: (303) 473-9660	
ENGINEER: G. HARDMAN	DATE: 01/15/10	RF CONCEPTS LLC
DRAWN BY: B. FOCKEN	DRAFT DATE: 01/15/10	TITLE: ALPHA 8406 CONTROLLER
DRAWING FILE: BCX-X4396_REV_A.SCH	SIZE: C	REV. A
GRID_BIAS	DRAWING # ABX-X4396	
PADS POWERLOGIC DRAWING	SCALE	SHEET 4 OF 6

6

5

4

3

2

1

D

D

C

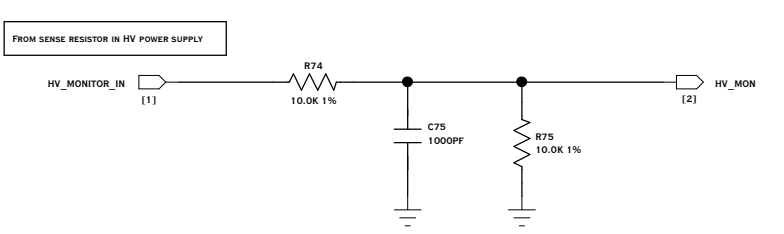
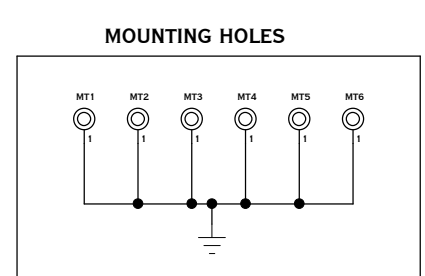
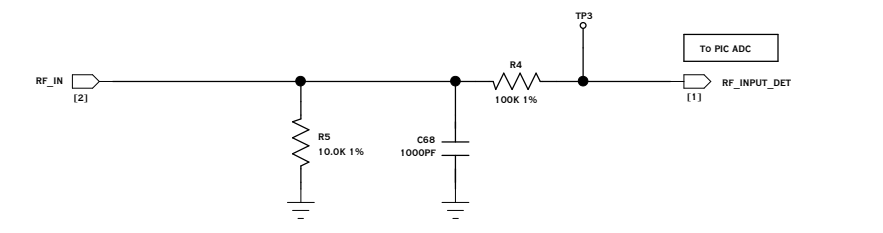
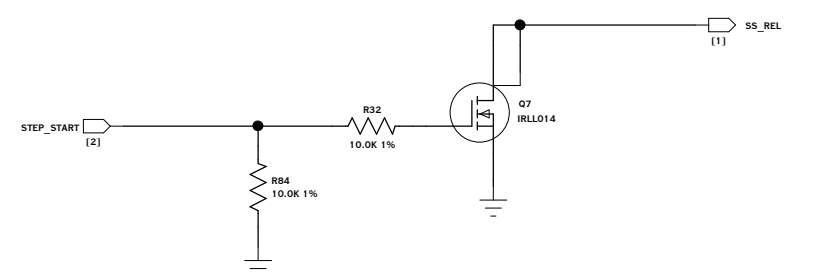
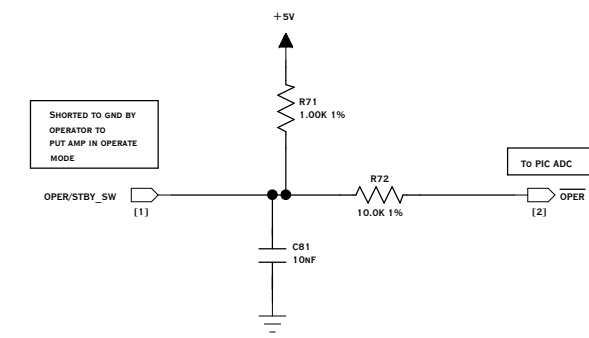
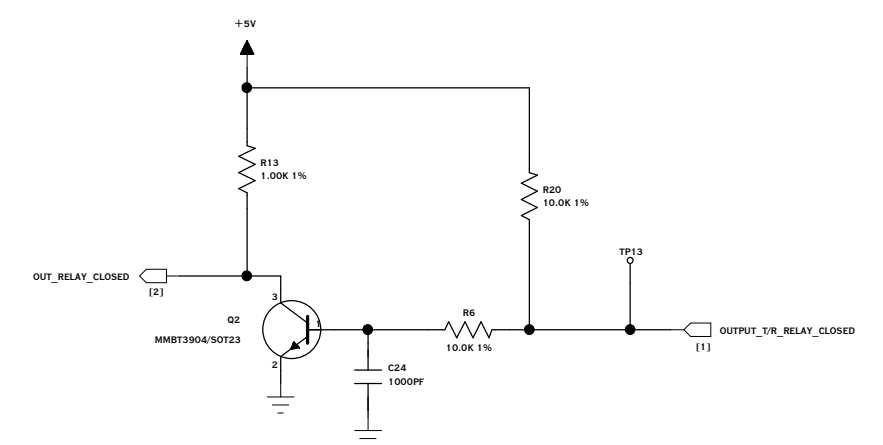
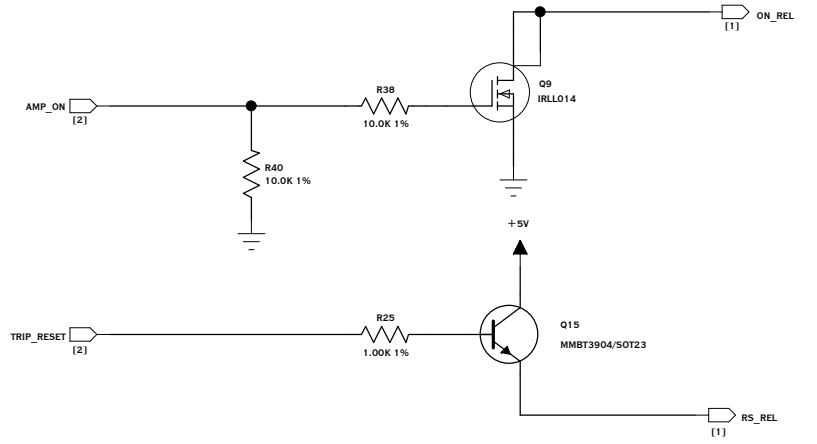
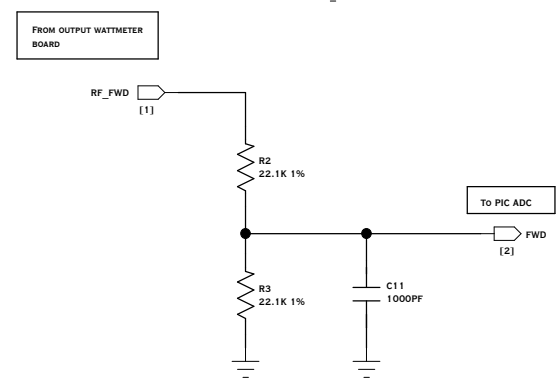
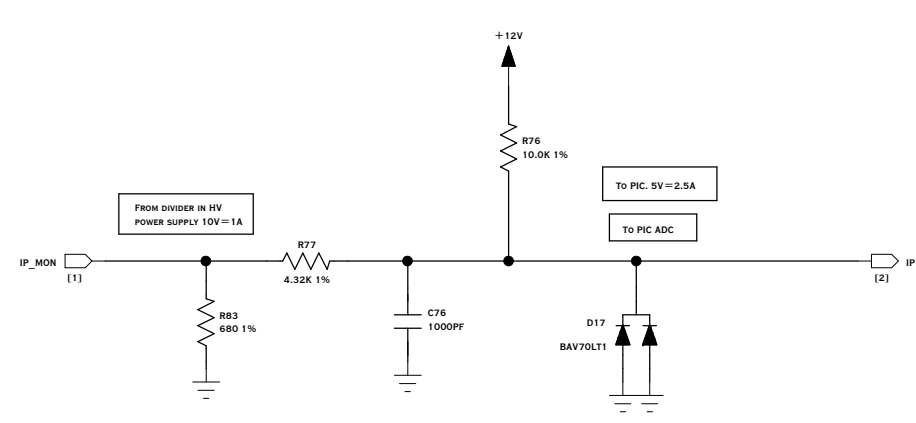
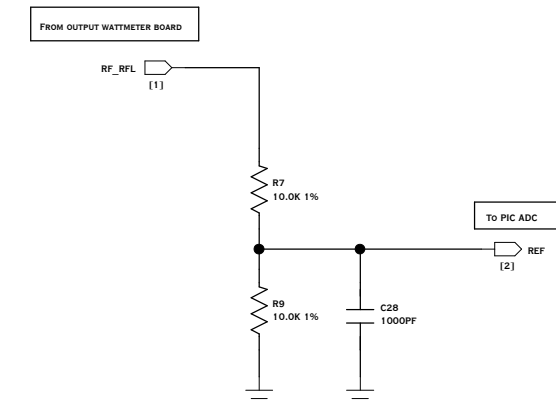
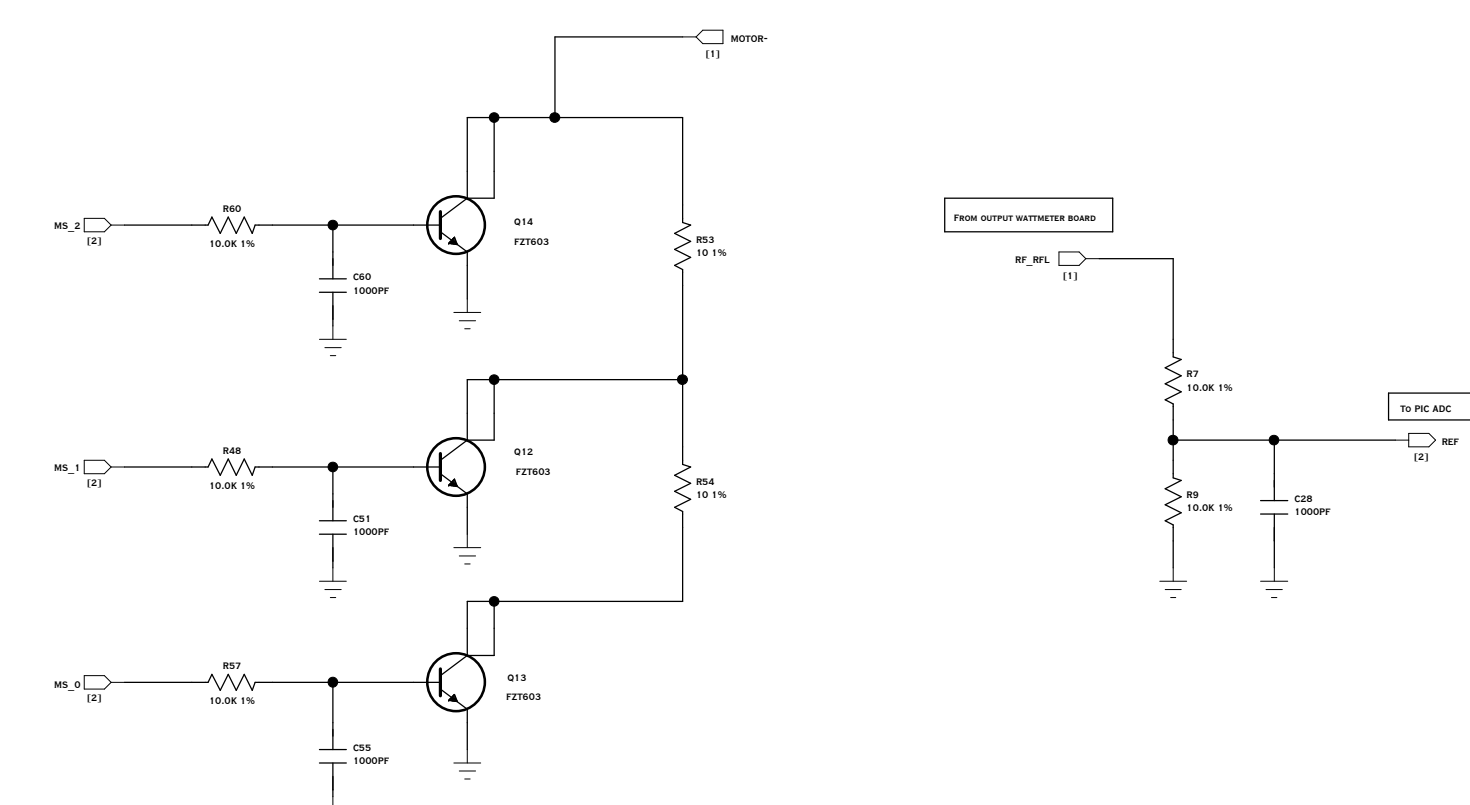
C

B

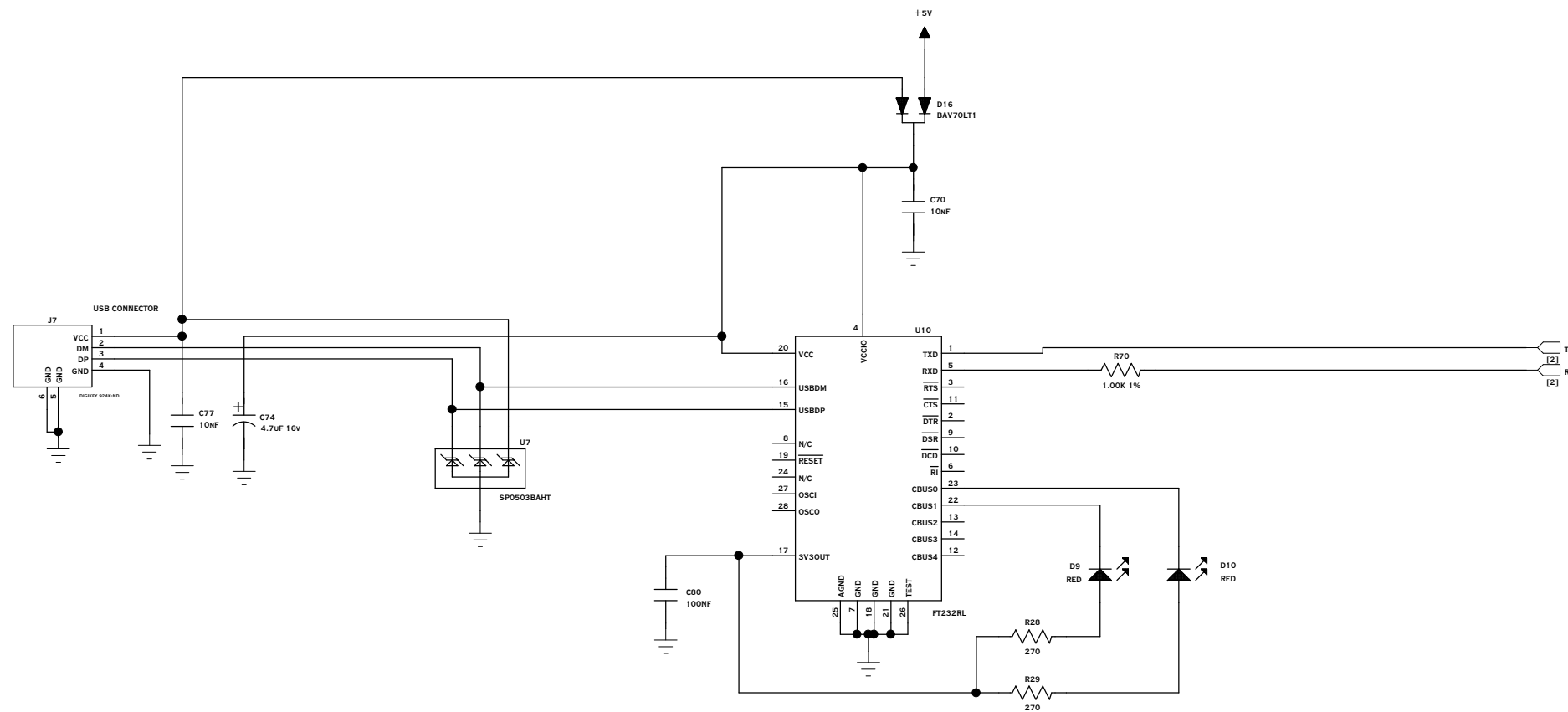
B

A

A



PROJECT NO. 8406	DATE 01/15/10	RF CONCEPTS LLC		6185 ARAPAHOE RD. BOULDER, COLORADO 80303 PHONE: (303) 473-9232 FAX: (303) 473-9660
ENGINEER G. HARDMAN	DRAWN BY B. FOCKEN	TITLE ALPHA 8406 CONTROLLER		
DRAWING FILE: BCX-X4396_REV_A.SCH I/O		SIZE C	DRAWING # ABX-X4396	REV. A
PADS POWERLOGIC DRAWING		SCALE	SHEET 5 OF 6	



PROJECT NO. 8406		RF CONCEPTS LLC		6185 ARAPAHOE RD. BOULDER, COLORADO 80303	
ENGINEER: G. HARDMAN				PHONE: (303) 473-9232	
DATE: 01/15/10		TITLE: ALPHA 8406 CONTROLLER			
DRAWN BY: B. FOCKEN		DRAWING # BCX-X4396		REV. A	
DRAFT DATE: 01/15/10		SCALE			
DRAWING FILE: BCX-X4396_REV_A.SCH		SHEET 6 OF 6			
PADS POWERLOGIC DRAWING					

6

5

4

3

2

1

D

D

C

C

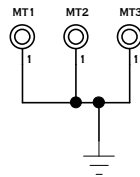
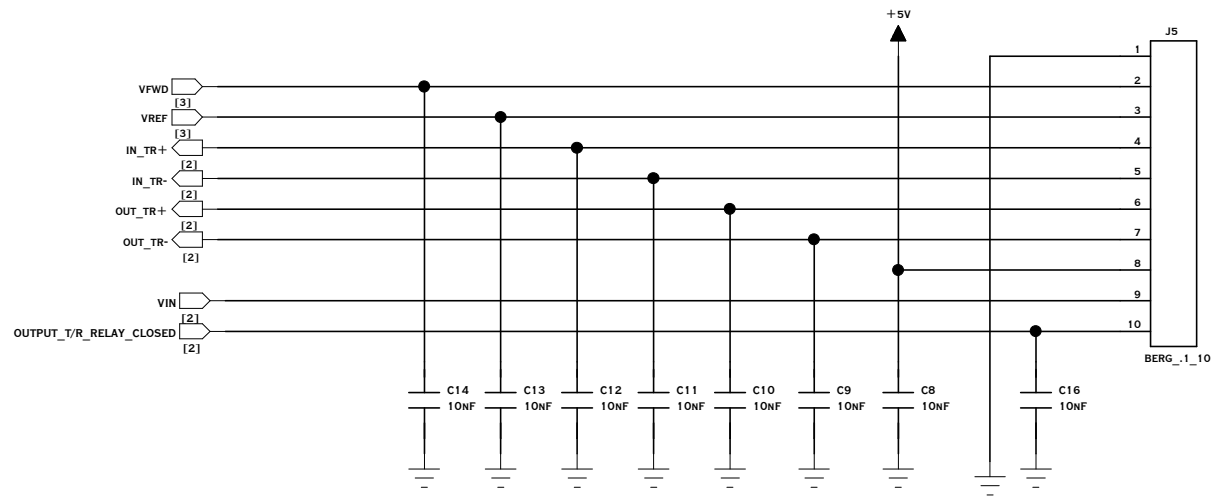
B

B

A

A

REVISION HISTORY					
REV	ECO NO.	DESCRIPTION	CHANGED BY & DATE	CHECKED BY & DATE	EFFECTIVITY DATE



UNLESS OTHERWISE SPECIFIED DIMENSIONS ARE IN INCHES TOLERANCES ARE: .XX +/- 0.01 ANGLE: 0.5 .XXX +/- 0.001	PROJECT NO. 8406	RF CONCEPTS LLC 6185 ARAPAHOE RD. BOULDER, COLORADO 80303 PHONE: (303) 473-9232 FAX: (303) 473-9660	
	ENGINEER: G. HARDMAN DATE: 02/09/09 DRAWN BY: B. FOCKEN DRAFT DATE: 02/09/09 DRAWING FILE: BCX-X4386_REV_2.SCH		
PROPRIETARY NOTICE: THIS DOCUMENT AND DATA DISCLOSED HEREIN AND HEREWITH IS NOT TO BE REPRODUCED, USED, OR DISCLOSED IN WHOLE OR ANY PART TO ANYONE WITHOUT THE PERMISSION OF RF CONCEPTS LLC.	PADS POWERLOGIC DRAWING		SIZE B DRAWING # BCX-X4386 REV. 2
	SCALE		SHEET 1 OF 3

6

5

4

3

2

1

D

D

C

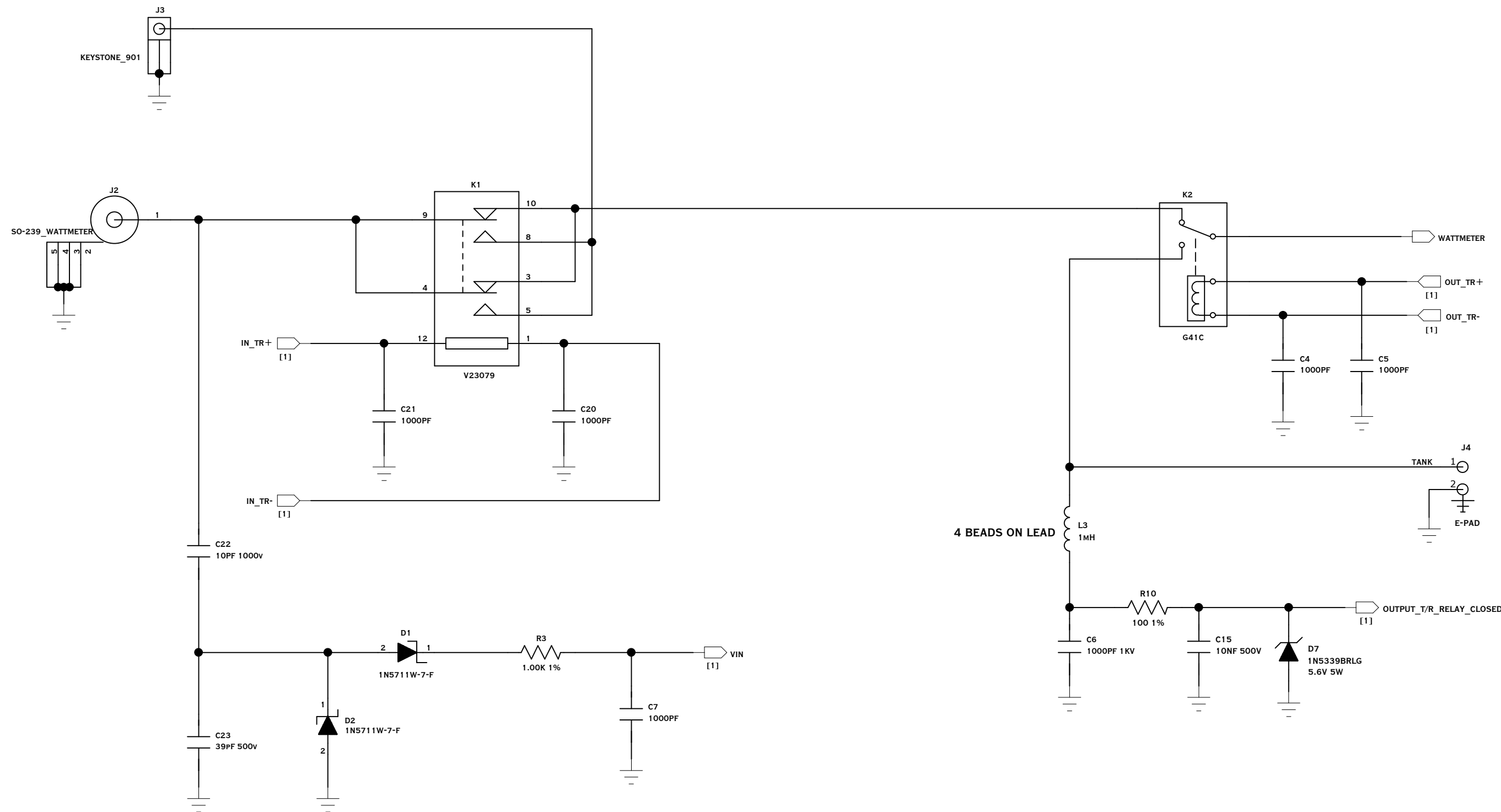
C

B

B

A

A



UNLESS OTHERWISE SPECIFIED
DIMENSIONS ARE IN INCHES
TOLERANCES ARE:

.XX +/- 0.01 ANGLE: 0.5
.XXX +/- 0.001

PROPRIETARY NOTICE:

THIS DOCUMENT AND DATA DISCLOSED
HEREIN AND HERewith IS NOT
TO BE REPRODUCED, USED,
OR DISCLOSED IN WHOLE OR
ANY PART TO ANYONE WITHOUT
THE PERMISSION OF CONCEPTS LLC.

PROJECT NO. **8406**
ENGINEER: **G. HARDMAN** DATE: **02/09/09**
DRAWN BY: **B. FOCKEN** DRAFT DATE: **02/09/09**

DRAWING FILE:
BCX-X4386_REV_2.SCH

PADS POWERLOGIC DRAWING

RF CONCEPTS LLC
6185 ARAPAHOE RD.
BOULDER, COLORADO 80303
PHONE: (303) 473-9232
FAX: (303) 473-9660

TITLE:
SCH,OUTPUT T/R

SIZE B	DRAWING # BCX-X4386	REV. 2
------------------	-------------------------------	------------------

SCALE SHEET 2 OF 3

6

5

4

3

2

1

D

D

C

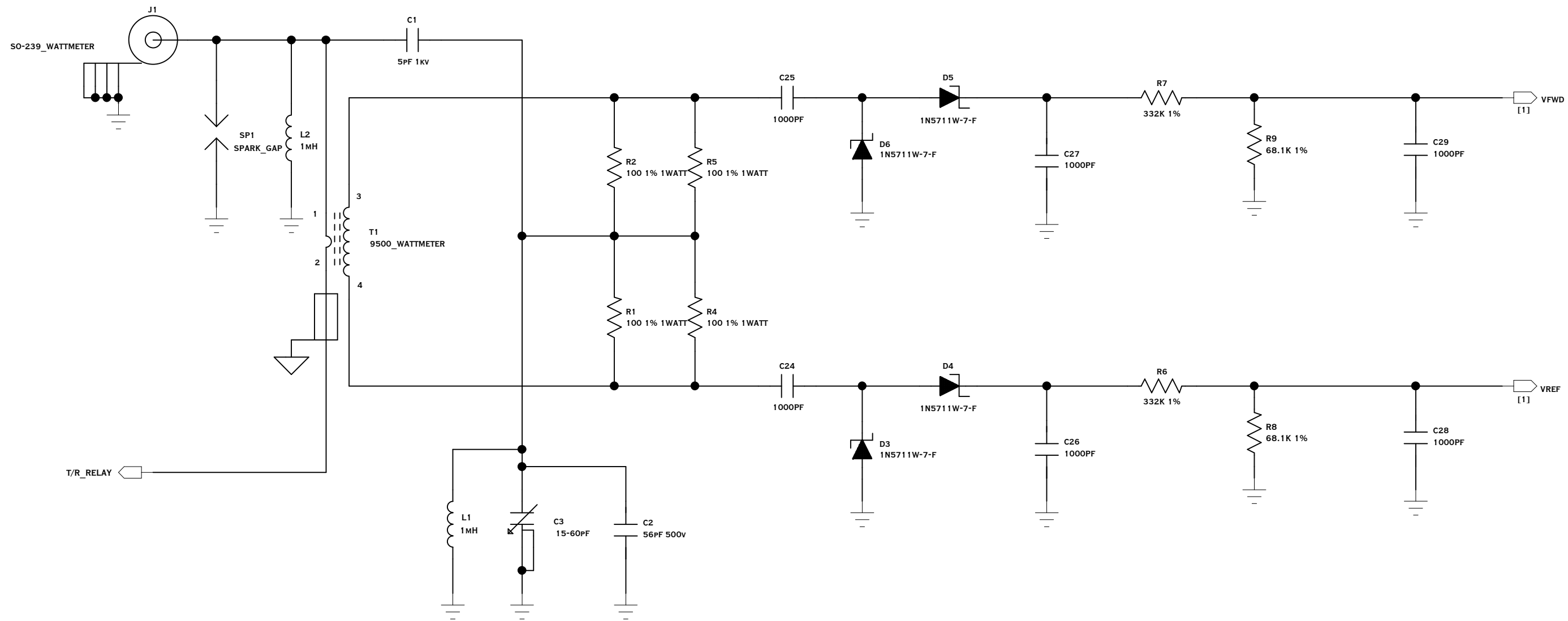
C

B

B

A

A



UNLESS OTHERWISE SPECIFIED
DIMENSIONS ARE IN INCHES
TOLERANCES ARE:
.XX +/- 0.01 ANGLE: 0.5
.XXX +/- 0.001

PROPRIETARY NOTICE:
THIS DOCUMENT AND DATA DISCLOSED
HEREIN AND HERETHWITH IS NOT
TO BE REPRODUCED, USED,
OR DISCLOSED IN WHOLE OR
ANY PART TO ANYONE WITHOUT
THE PERMISSION OF RF CONCEPTS LLC.

PROJECT NO.
8406
ENGINEER:
G. HARDMAN
DATE:
02/09/09
DRAWN BY:
B. FOCKEN
DRAFT DATE:
02/09/09

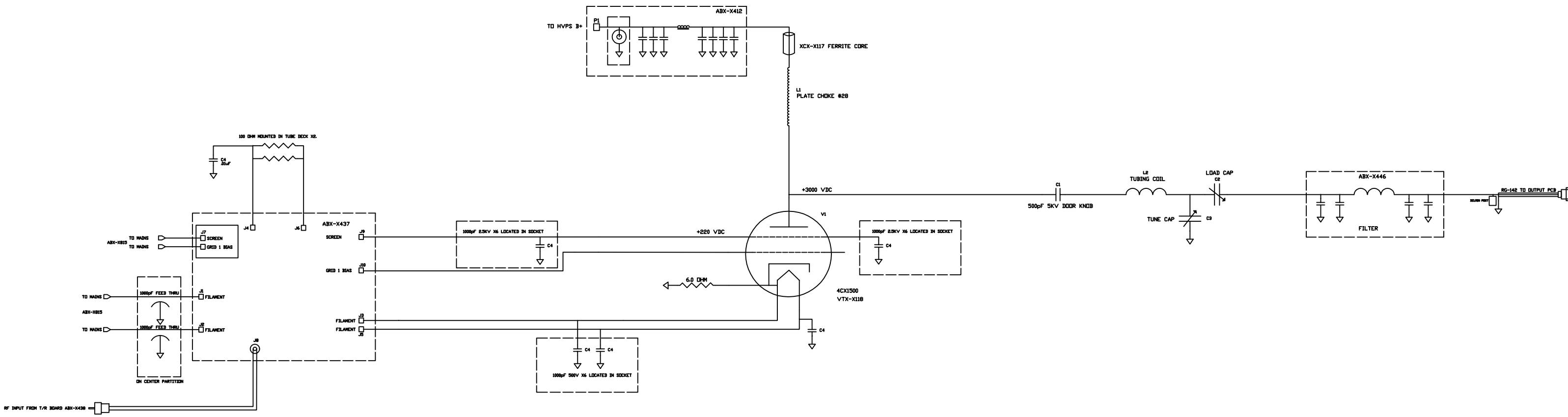
DRAWING FILE:
BCX-X4386_REV_2.SCH
PADS POWERLOGIC DRAWING

RF CONCEPTS LLC
6185 ARAPAHOE RD.
BOULDER, COLORADO 80303
PHONE: (303) 473-9232
FAX: (303) 473-9660

TITLE:
SCH,OUTPUT T/R

SIZE B	DRAWING # BCX-X4386	REV. 2
------------------	-------------------------------	------------------

SCALE SHEET 3 OF 3



WATER WITH CE

