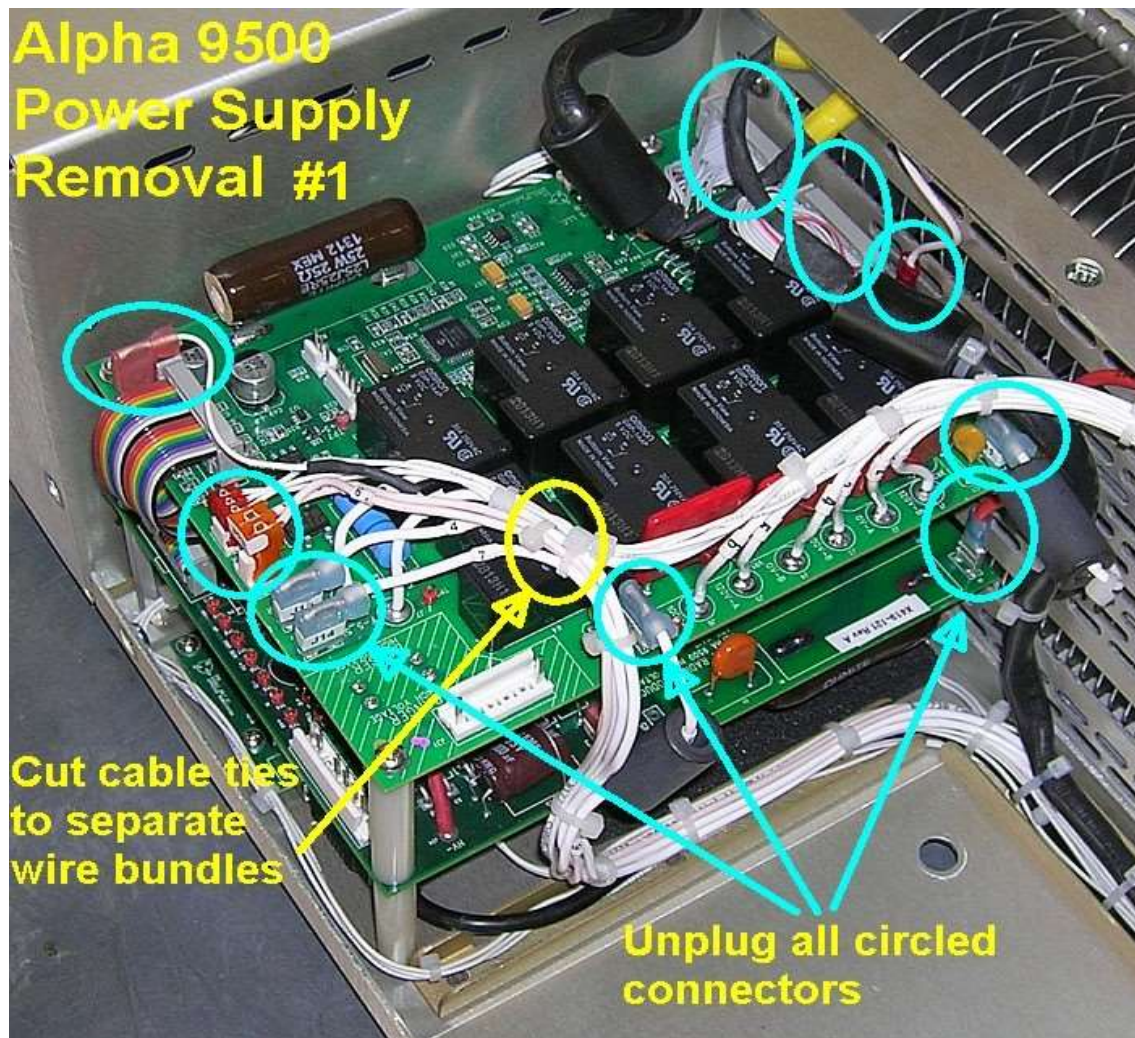


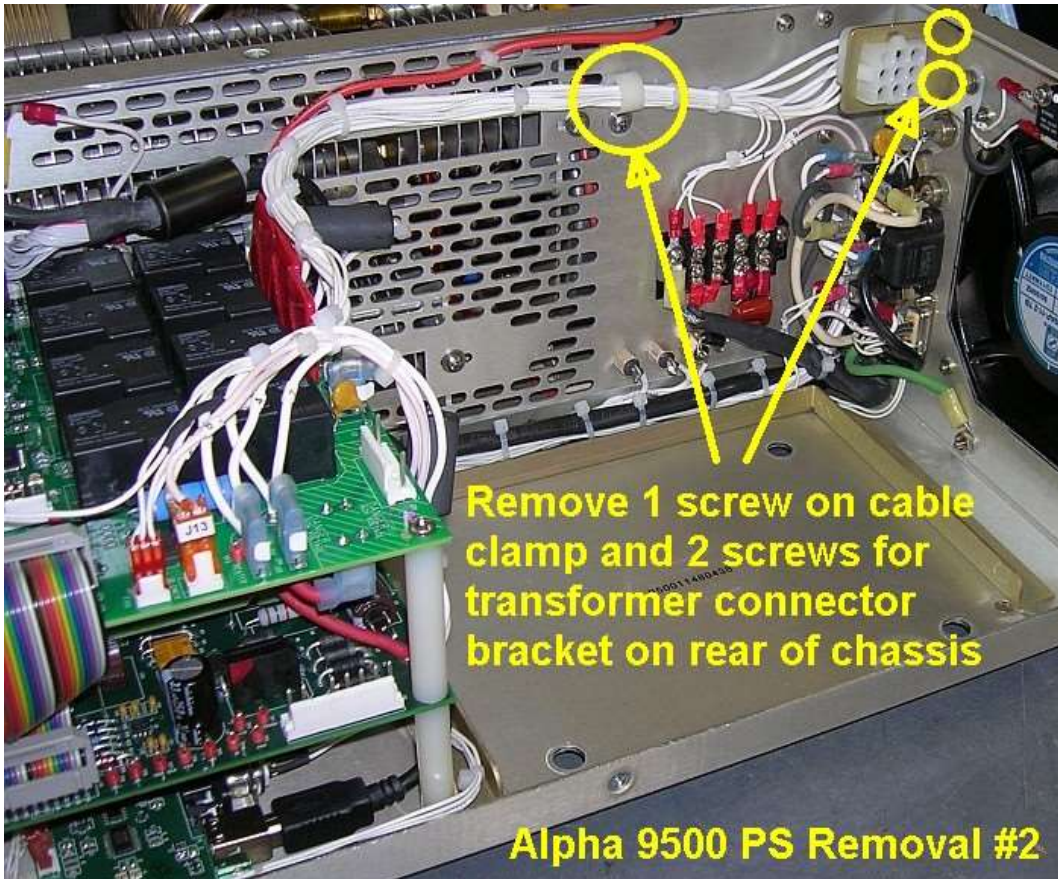
Alpha 9500 Power Supply Removal

To remove the Alpha 9500 Power Supply stack (2 circuit boards) first disconnect and remove the transformer from the amplifier.

Carefully cut the cable ties holding the two wire bundles together (as indicated in photo) and unplug all connectors from the top and bottom power supply boards.



Remove the cable clamp screw, and the two screws on the rear panel of the chassis that secure the white transformer connector bracket.



Next remove 4 screws underneath the chassis that hold 4 posts of power supply stack.



Install replacement power supply stack in reverse. If you mis-mate the gray 20 pin headers or don't push them all the way on, then the amplifier may not turn on.