

6

5

4

3

2

1

D

D

C

C

B

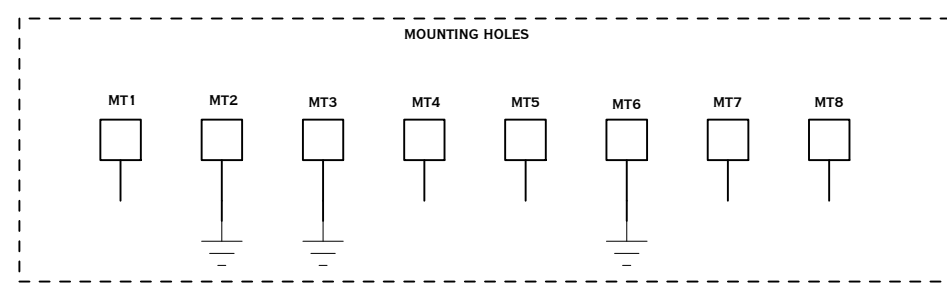
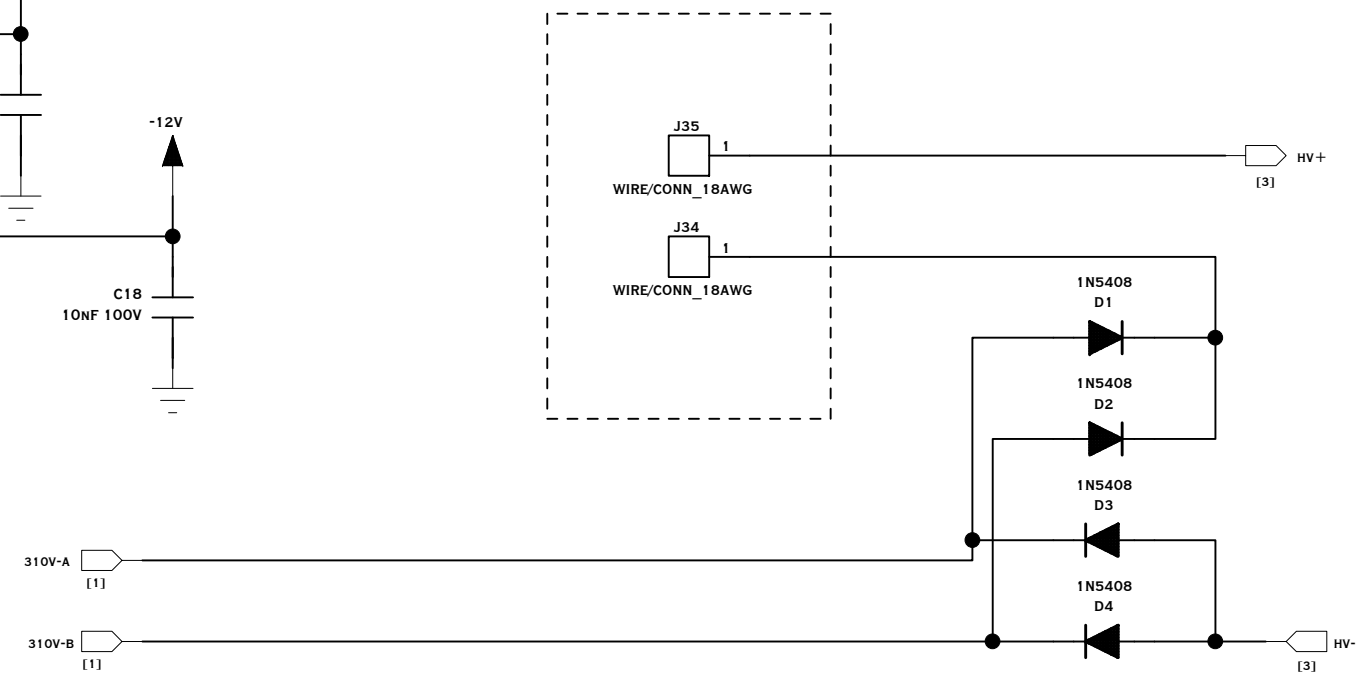
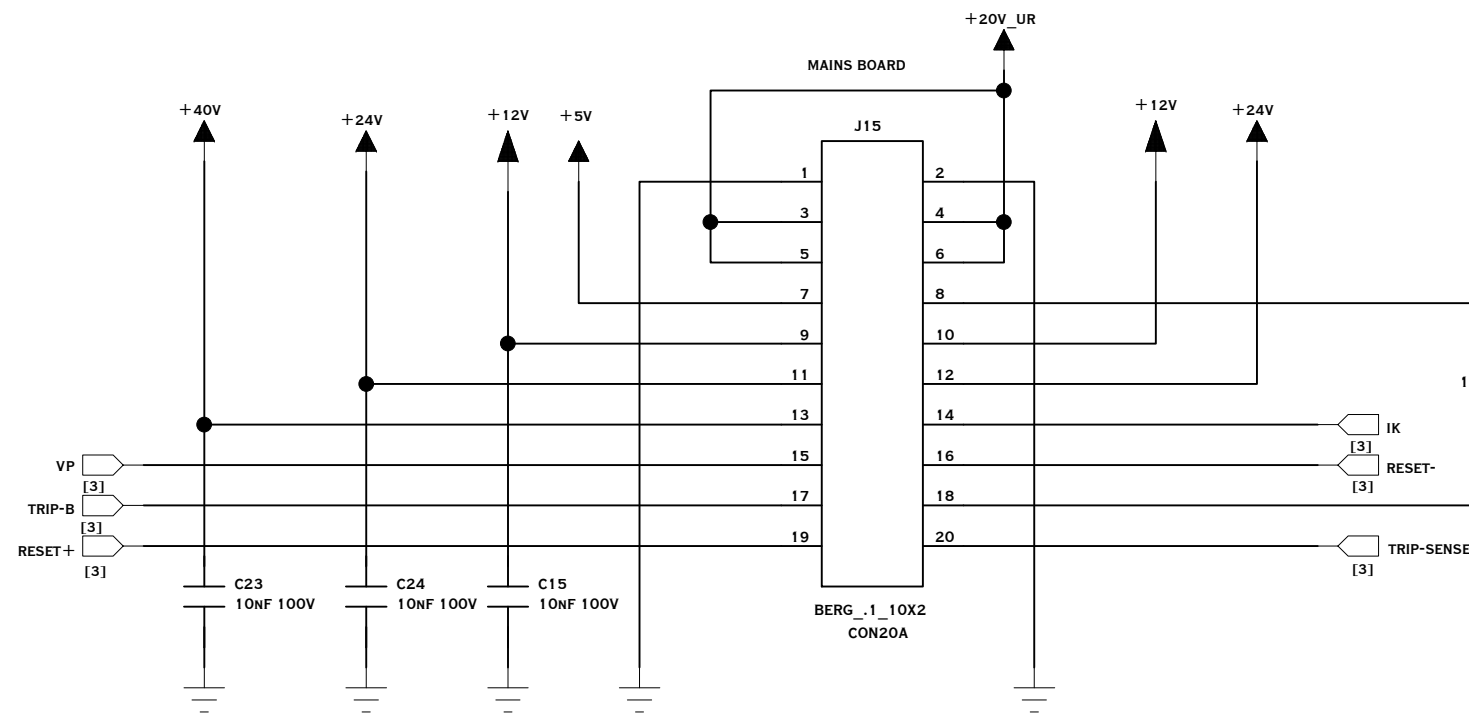
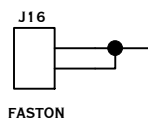
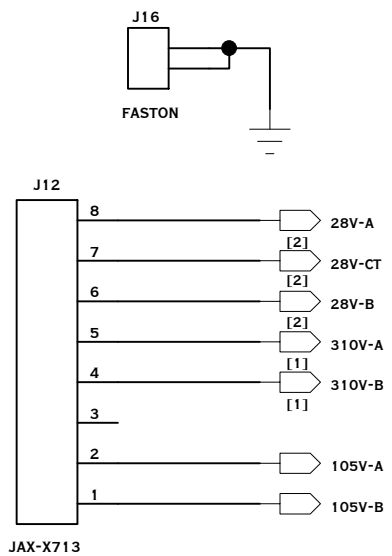
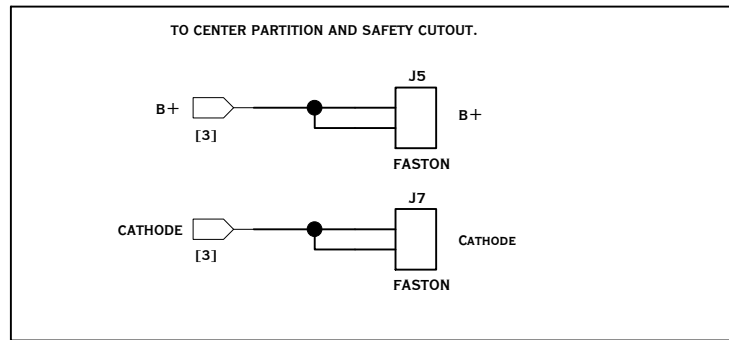
B

A

A

REVISION HISTORY

REV	ECO NO.	DESCRIPTION	CHANGED BY & DATE	CHECKED BY & DATE	EFFECTIVITY DATE
1		DEVELOPMENT	BWF 09/01/05	GEH 09/01/05	09/01/05
2		INITIAL RELEASE	BWF 07/15/06	GEH 07/15/06	07/15/06
3		ADD POWER SUPPLY	BWF 07/28/06	GEH 07/28/06	07/28/06
3.1		CHANGES TO VALUES AND POLARITY	BWF 10/17/06	GEH 10/17/06	10/17/06



PROPRIETARY NOTICE:
THIS DOCUMENT AND DATA DISCLOSED
HEREIN AND HEREWITH IS NOT
TO BE REPRODUCED, USED,
OR DISCLOSED IN WHOLE OR
ANY PART TO ANYONE WITHOUT
THE PERMISSION OF RF CONCEPTS LLC.

PROJECT NO. 9500	RF CONCEPTS LLC		634 SOUTH SUNSET LONGMONT, COLORADO 80501 PHONE: (303) 473-9232 FAX: (303) 473-9660
ENGINEER: G. HARDMANN	DATE: 08/08/13	TITLE: SCH,9500,HIGH VOLTAGE POWER SUPPLY	
DRAWN BY: B. FOCKEN	DRAFT DATE: 08/08/13	SIZE B	DRAWING # BCX-X419
DRAWING FILE: BCX-X419_REV_C.SCH	SCALE	REV. C	SHEET 1 OF 3

6

5

4

3

2

1

D

D

C

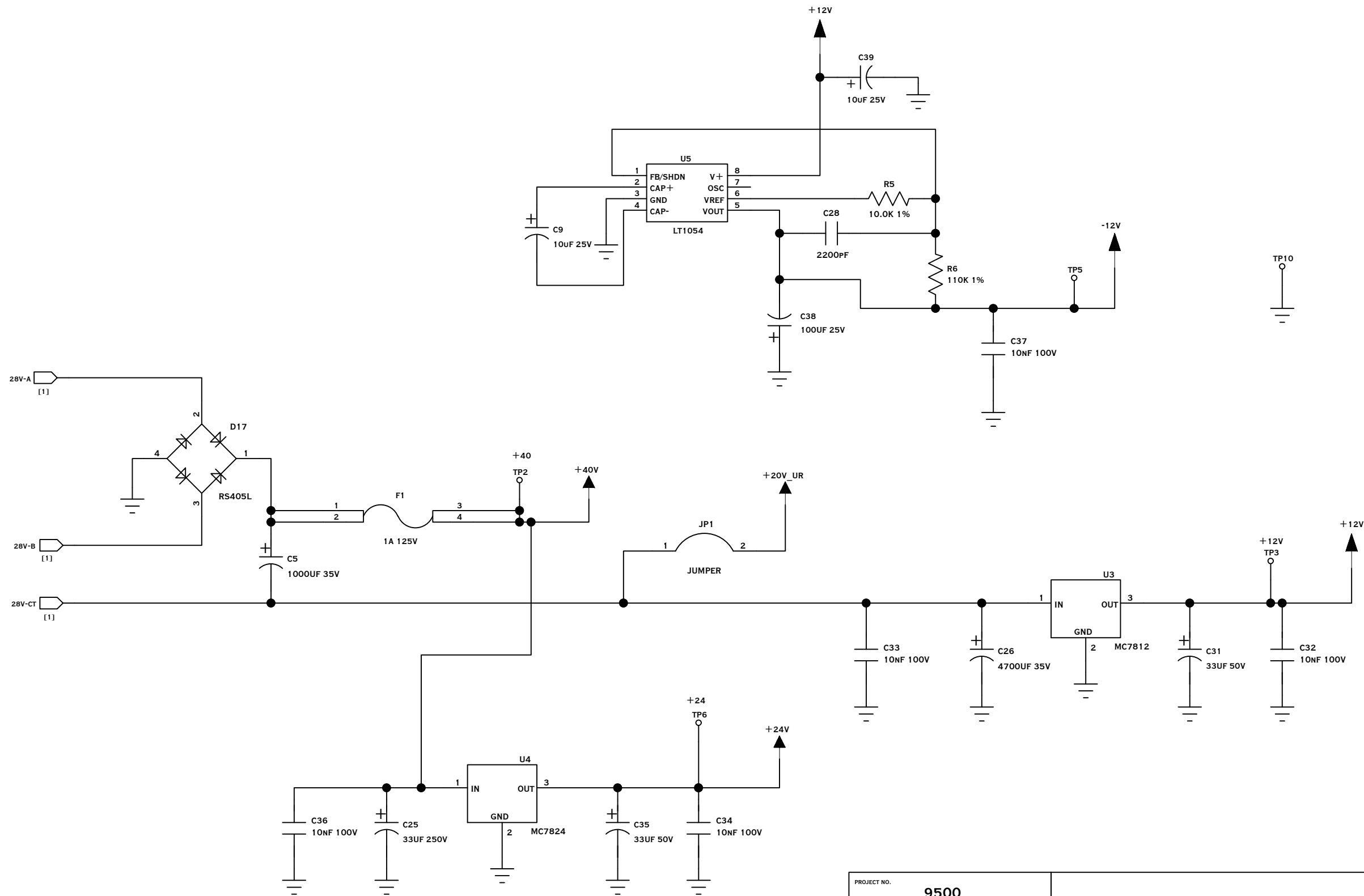
C

B

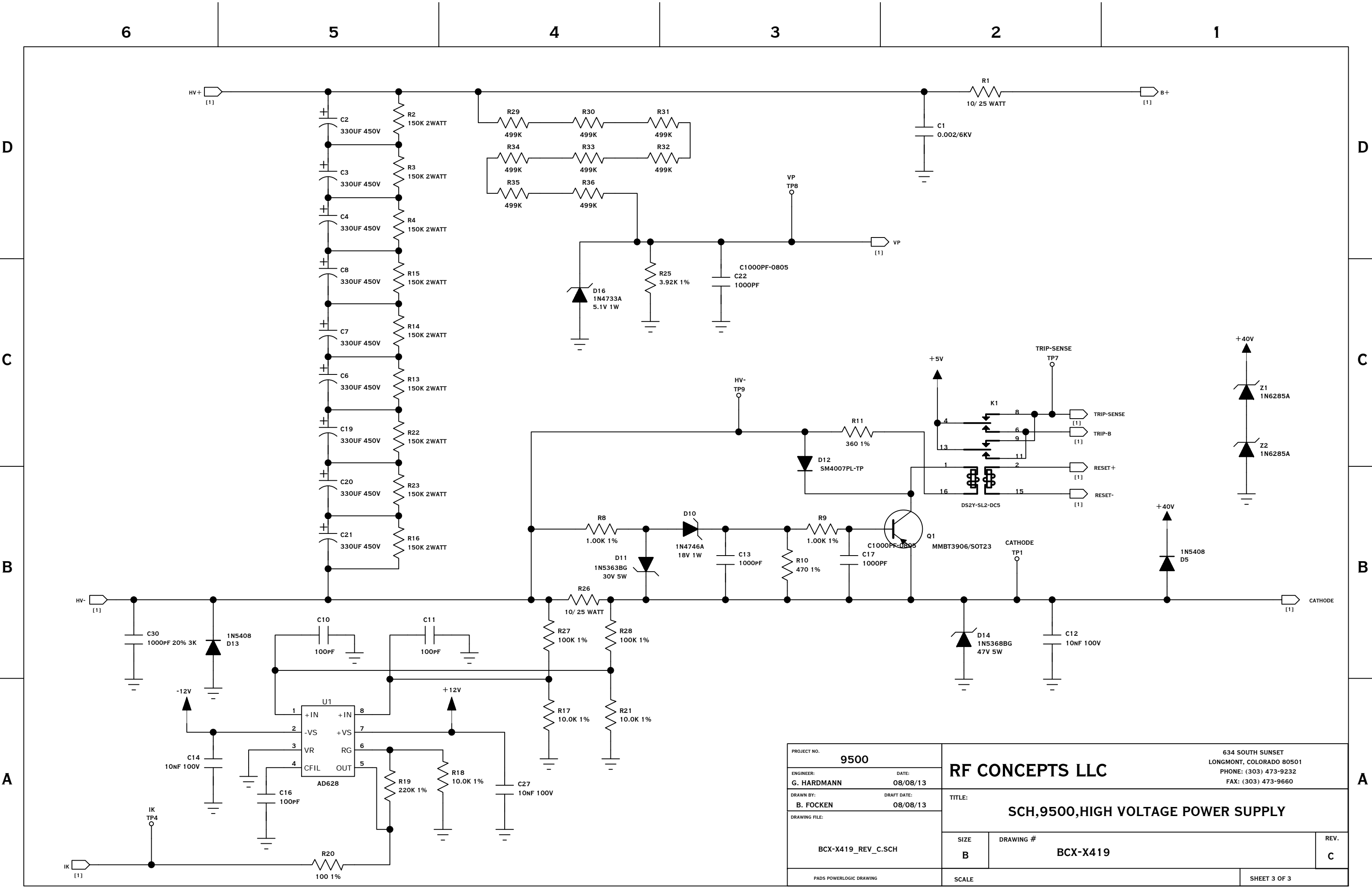
B

A

A

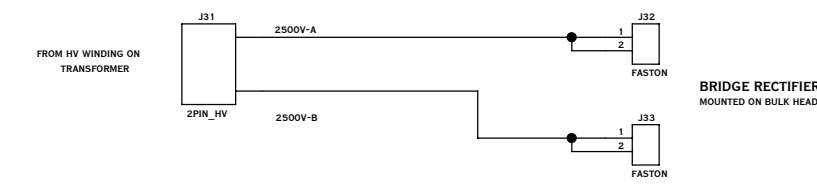
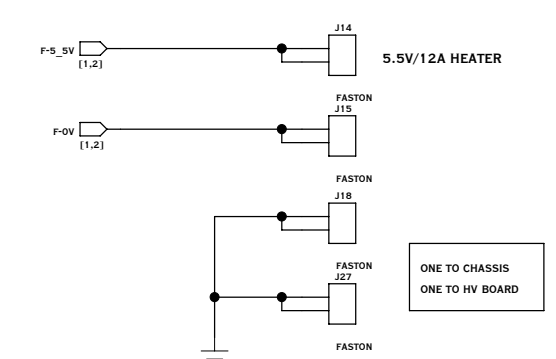
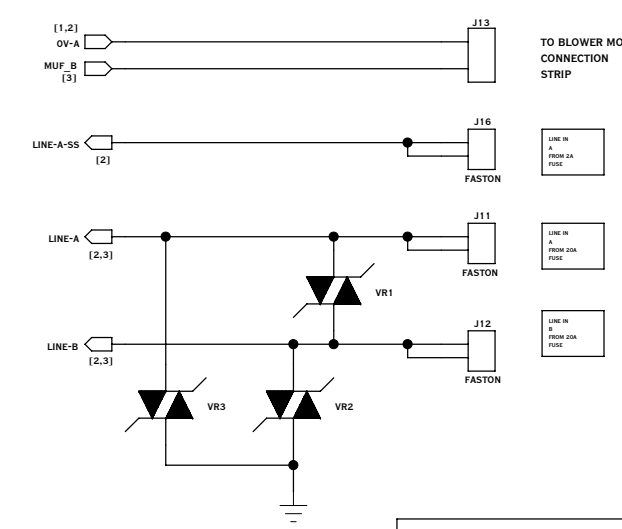
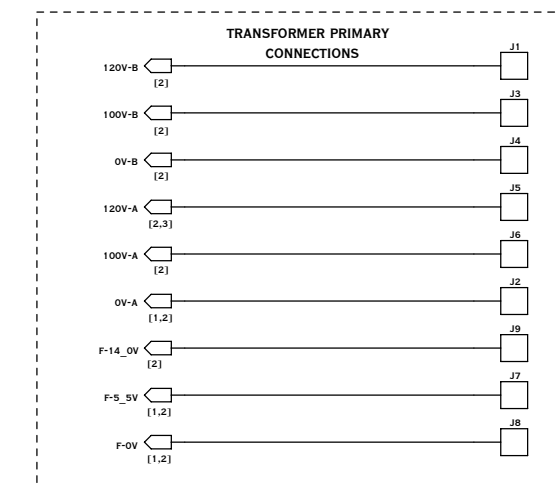
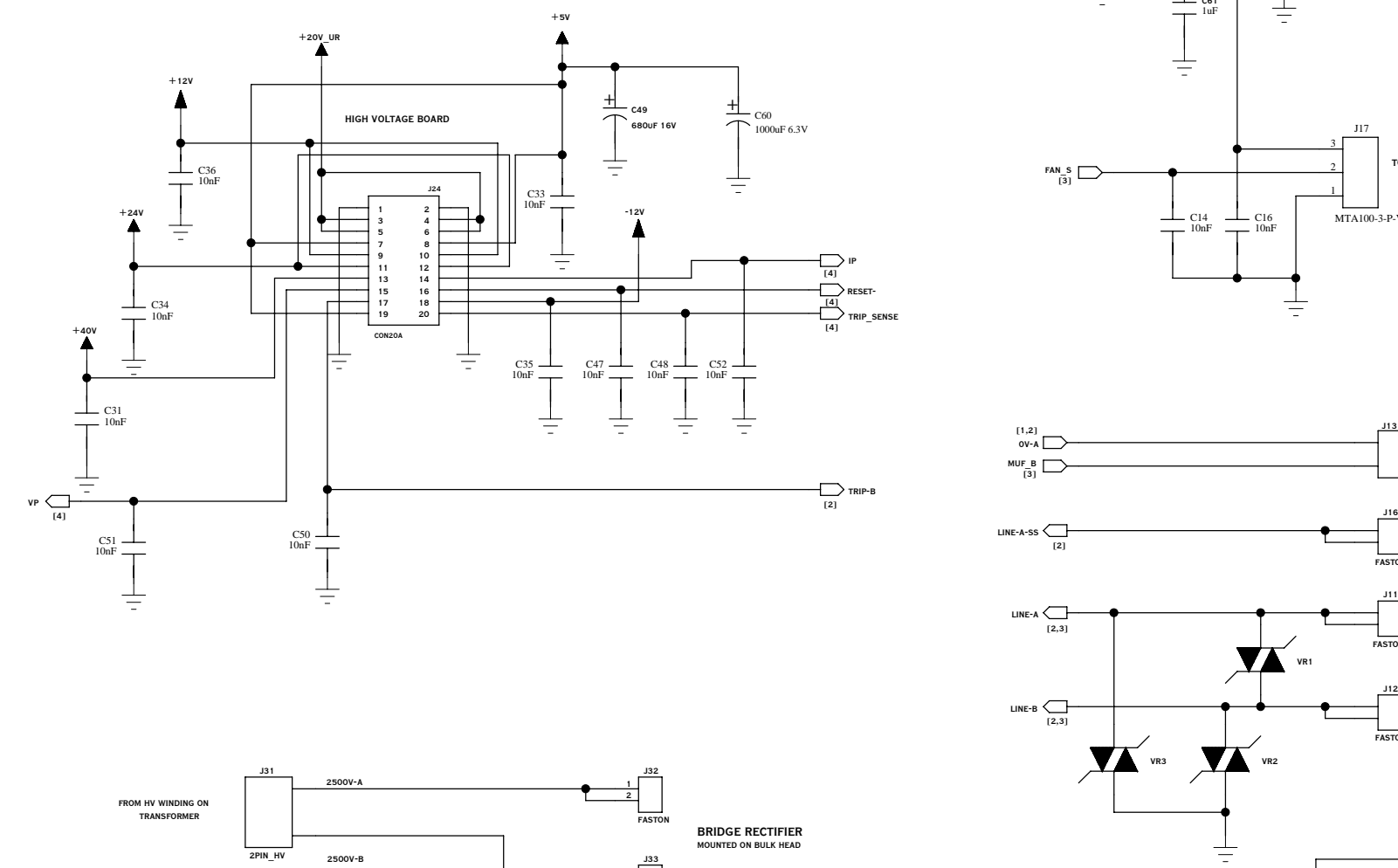
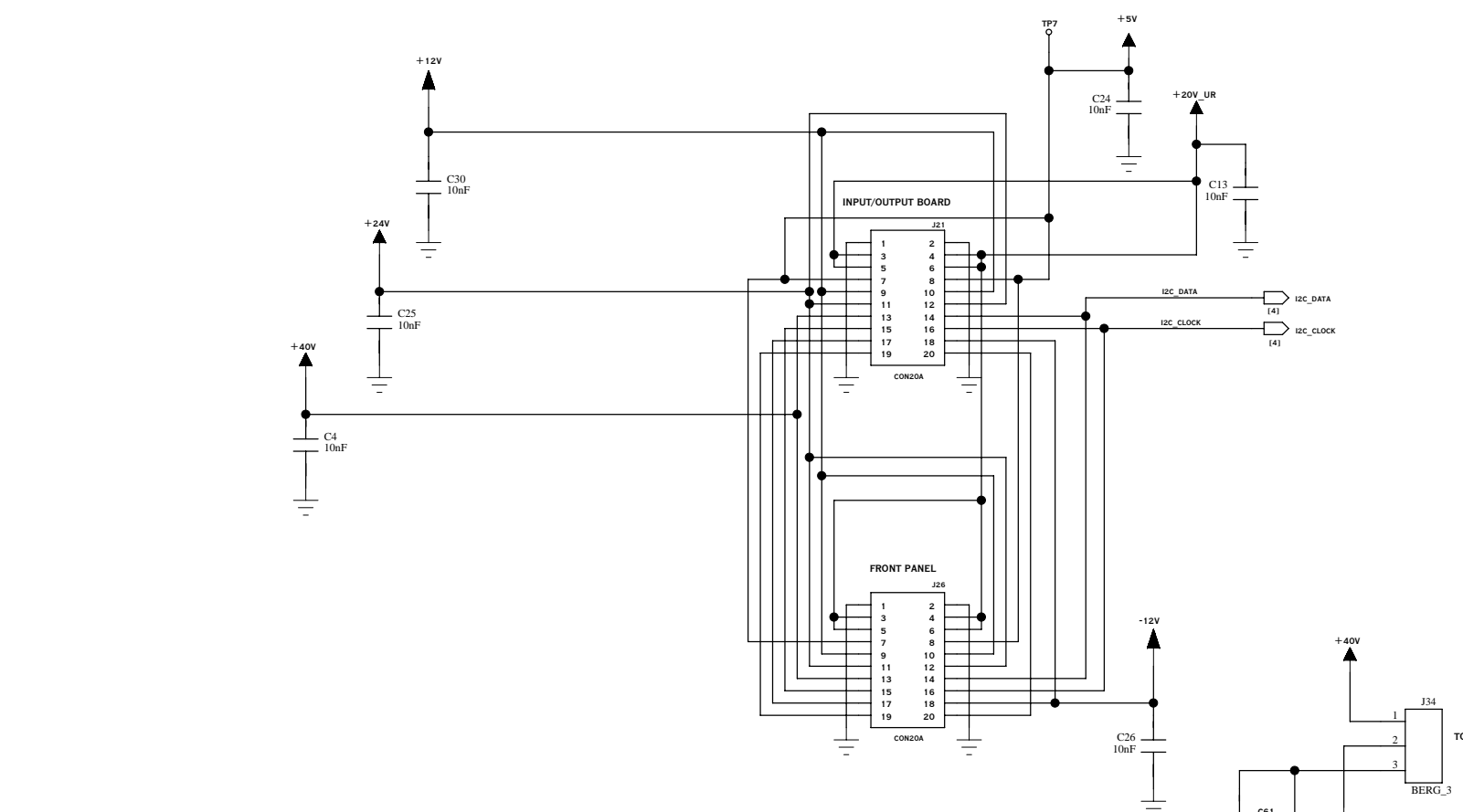


PROJECT NO. 9500		RF CONCEPTS LLC 634 SOUTH SUNSET LONGMONT, COLORADO 80501 PHONE: (303) 473-9232 FAX: (303) 473-9660		
ENGINEER: G. HARDMANN	DATE: 08/08/13			
DRAWN BY: B. FOCKEN	DRAFT DATE: 08/08/13	TITLE: SCH,9500,HIGH VOLTAGE POWER SUPPLY		
DRAWING FILE: BCX-X418_REV_C.SCH		SIZE B	DRAWING # BCX-X419	REV. C
PADS POWERLOGIC DRAWING		SCALE		SHEET 2 OF 3



PROJECT NO. 9500		RF CONCEPTS LLC 634 SOUTH SUNSET LONGMONT, COLORADO 80501 PHONE: (303) 473-9232 FAX: (303) 473-9660	
ENGINEER: G. HARDMANN	DATE: 08/08/13		
DRAWN BY: B. FOCKEN		TITLE: SCH,9500,HIGH VOLTAGE POWER SUPPLY	
DRAWING FILE: BCX-X419_REV_C.SCH		SIZE B	DRAWING # BCX-X419
PADS POWERLOGIC DRAWING		SCALE	REV. C
			SHEET 3 OF 3

REVISION HISTORY					
REV	ECO NO.	DESCRIPTION	CHANGED BY & DATE	CHECKED BY & DATE	EFFECTIVITY DATE
1		INITIAL RELEASE	BWF 09/07/05	BWF 09/07/05	09/07/05
2		CHANGE TO PROCESSOR PIN OUT	BWF 12/21/05	BWF 12/21/05	12/21/05
2.1		CHANGED RELAYS	BWF 12/29/05	GEH 12/29/05	12/29/05
2.2/3		CHANGE PARTS	BWF 04/11/06	GEH 04/11/06	04/11/06
4		CHANGE AC SENSE CIRCUIT	BWF 07/24/06	GEH 07/24/06	07/24/06
5		ADD POWER SUPPLY	BWF 07/31/06	GEH 07/31/06	07/31/06
A		RELEASE TO MFG	BWF 11/13/07	GEH 11/13/07	11/13/07
B		REVISED TO ADD DC BLOWER CIRCUIT	CLE 2/22/12	XXX XX/XX/XX	XX/XX/XX



PROPRIETARY NOTICE:
THIS DOCUMENT AND DATA DISCLOSED HEREIN AND HEREAFTER IS NOT TO BE REPRODUCED, USED, OR DISCLOSED IN WHOLE OR IN PART TO ANYONE WITHOUT THE PERMISSION OF RF CONCEPTS LLC.

PROJECT NO. 9500	DATE 11/13/07	RF CONCEPTS LLC		6185 ARAPAHOE RD. BOULDER, COLORADO 80303 PHONE: (303) 473-9232 FAX: (303) 473-9660
ENGINEER: G. HARDMAN	DRAWN BY: B. FOCKEN	TITLE: SCH.9500 MAINS		
DRAWING FILE: BCX-X420_REV_A.SCH		SIZE C	DRAWING # BCX-X420 CONNECTORS	REV. B
PAPER POWERLOGIC DRAWING		SCALE		SHEET 1 OF 4

6

5

4

3

2

1

D

D

C

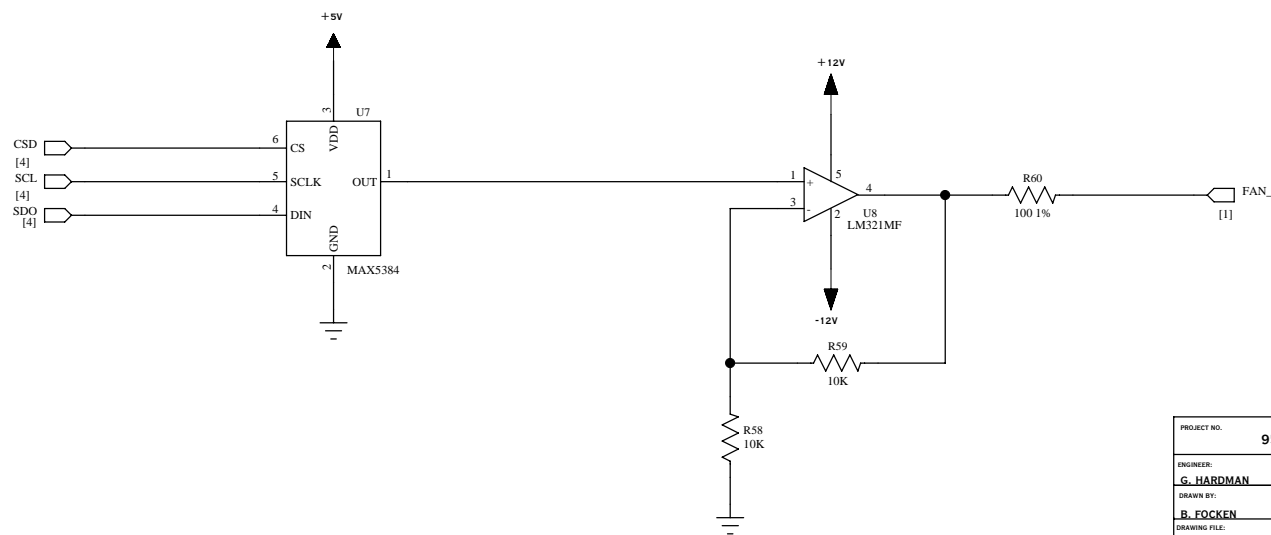
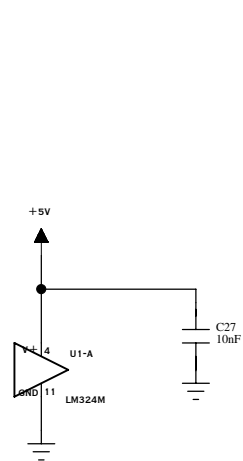
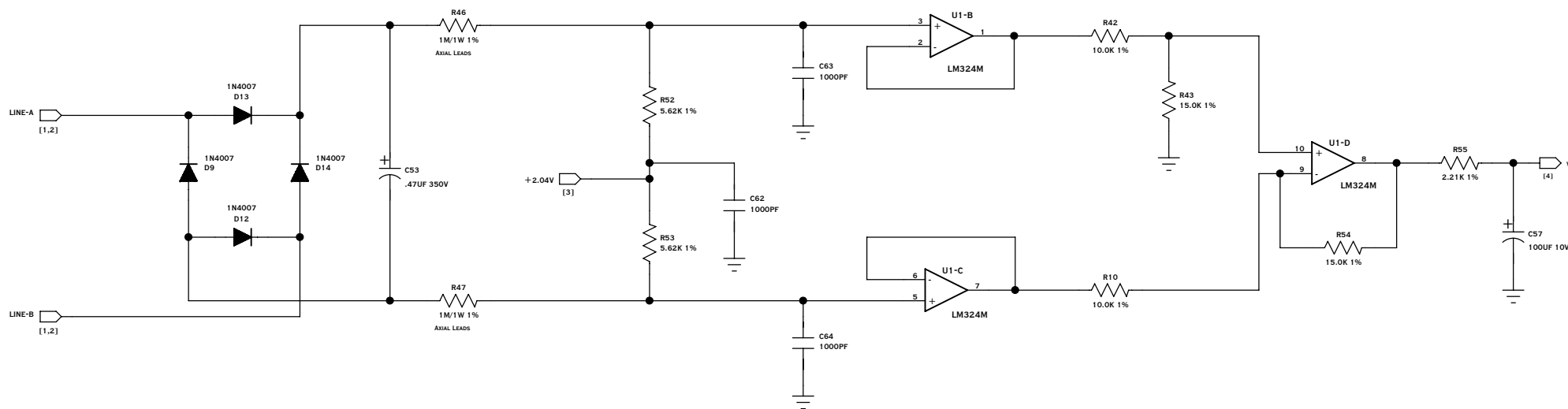
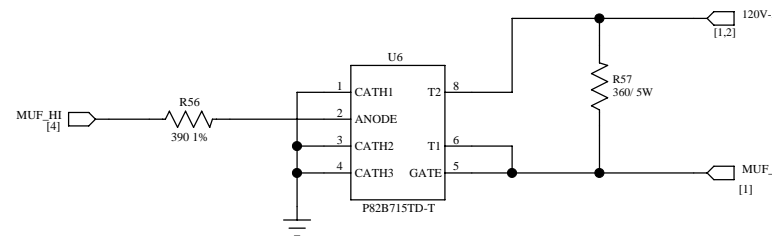
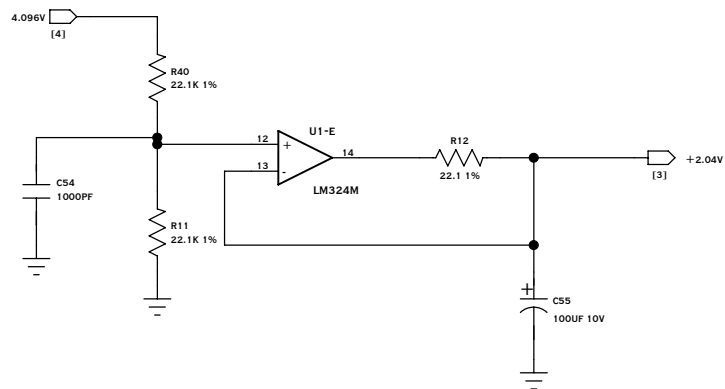
C

B

B

A

A



PROJECT NO. 9500		6185 ARAPAHOE RD. BOULDER, COLORADO 80303 PHONE: (303) 473-9232 FAX: (303) 473-9660	
ENGINEER: G. HARDMAN	DATE: 11/13/07	RF CONCEPTS LLC	
DRAWN BY: R. FOCKEN	DRAFT DATE: 11/13/07		
DRAWING FILE: BCX-X420_REV_A.SCH		TITLE: SCH,9500 MAINS	
SIZE C	DRAWING # BCX-X420 MAINS SENSOR	REV. B	
PADS POWERLOGIC DRAWING		SCALE	SHEET 3 OF 4

6

5

4

3

2

1

D

C

B

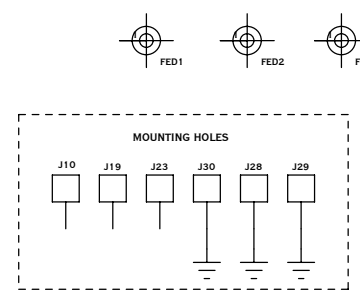
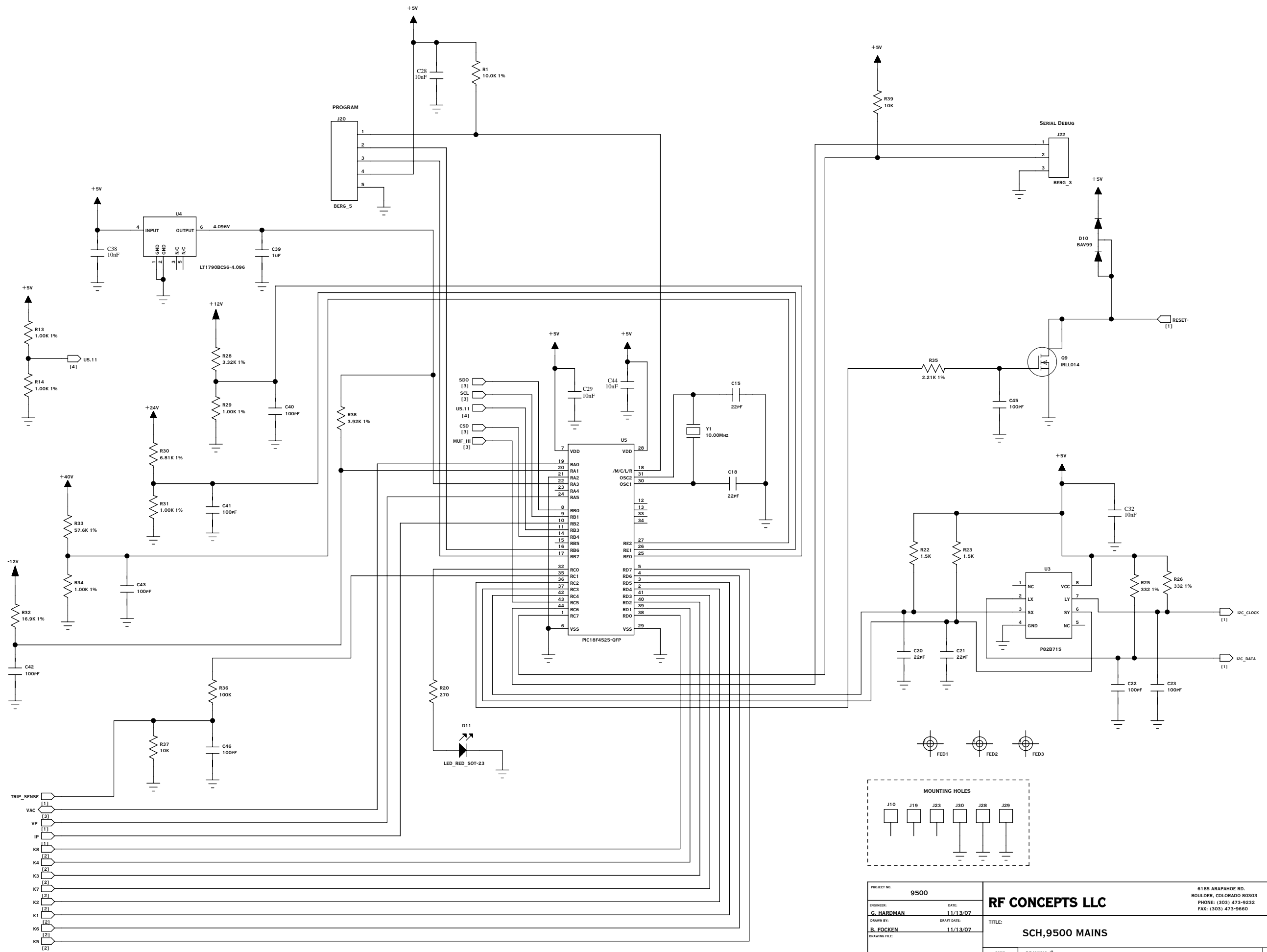
A

D

C

B

A



PROJECT NO. 9500		6185 ARAPAHOE RD. BOULDER, COLORADO 80303 PHONE: (303) 473-9232 FAX: (303) 473-9660	
ENGINEER: G. HARDMAN	DATE: 11/13/07	RF CONCEPTS LLC	
DRAWN BY: R. FOCKEN	DRAFT DATE: 11/13/07	TITLE: SCH,9500 MAINS	
DRAWING FILE: BCX-X420_REV_A.SCH		SIZE: C	DRAWING #: BCX-X420 PROCESSOR
PADS POWERLOGIC DRAWING		SCALE:	REV. B
SHEET 4 OF 4			

6

5

4

3

2

1

D

D

C

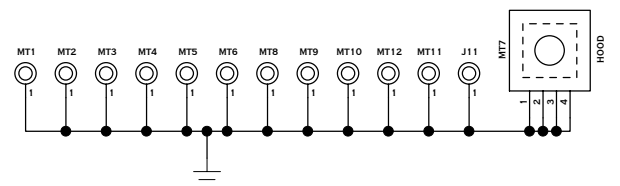
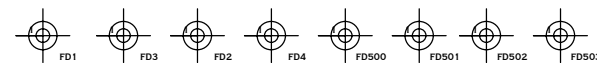
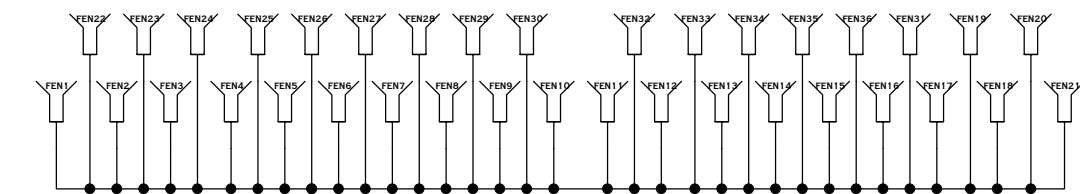
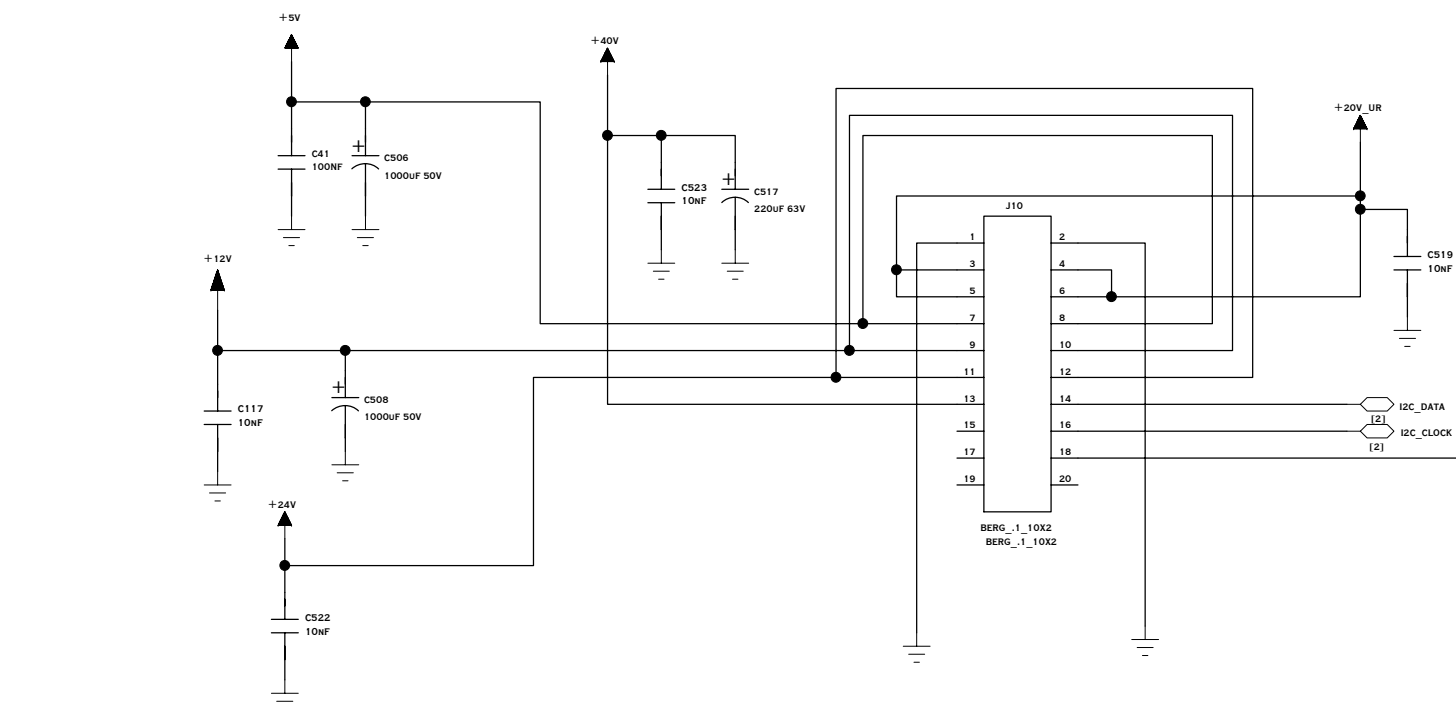
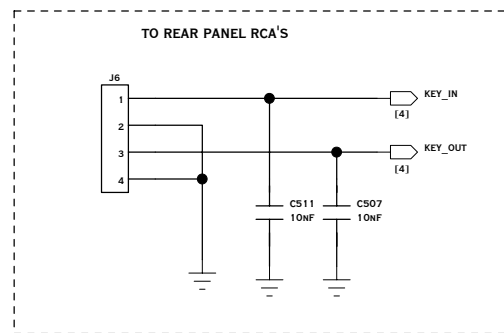
C

B

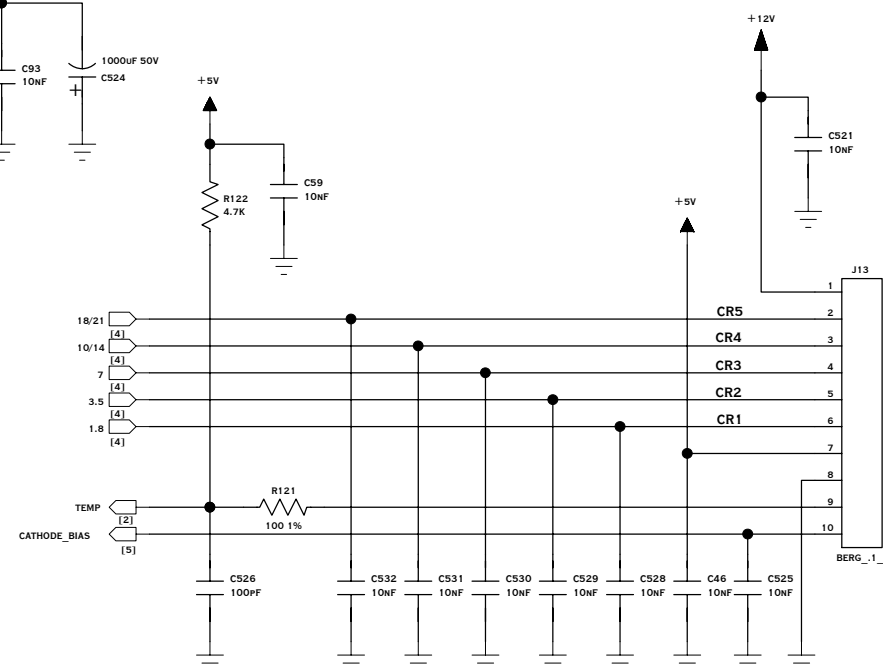
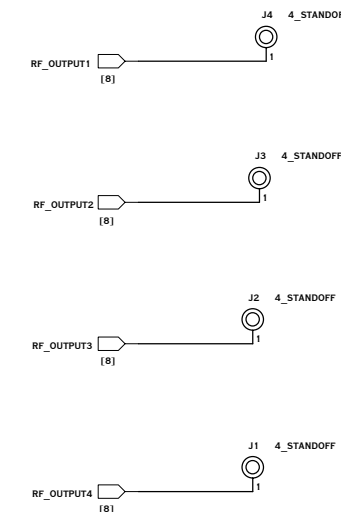
B

A

A



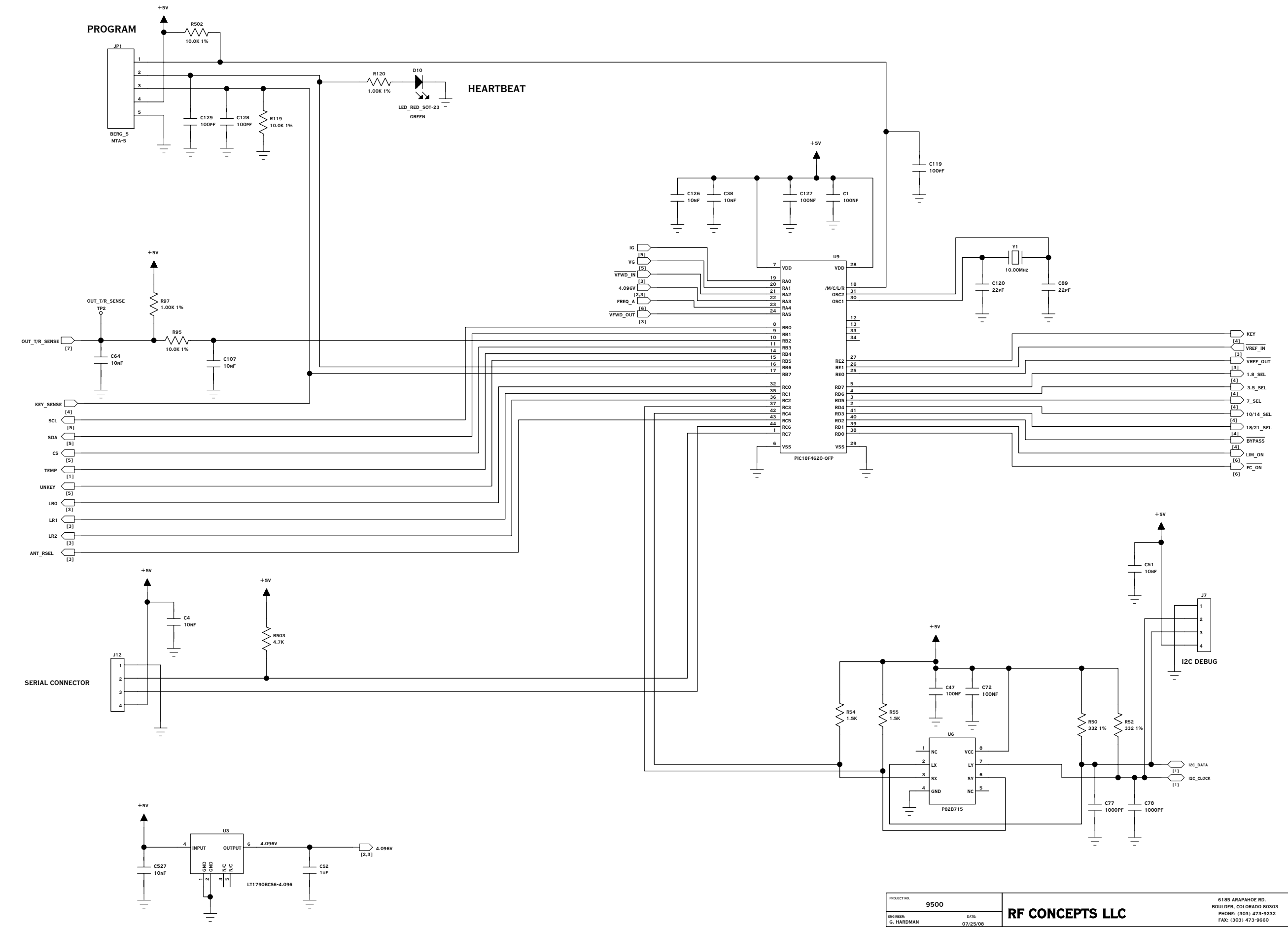
REVISION HISTORY					
REV	ECO NO.	DESCRIPTION	CHANGED BY & DATE	CHECKED BY & DATE	EFFECTIVITY DATE
1		INITIAL RELEASE	BWF 11/09/06	GEH 11/09/06	11/09/06
2		CHANGES TO WATT METERS	BWF 12/08/06	GEH 12/08/06	12/08/06
3		CHANGES TO WATT METERS AND PROCESSOR	BWF 01/03/07	GEH 01/03/07	01/03/07



TO MATCH BOARD

PROPRIETARY NOTICE:
THIS DOCUMENT AND DATA DISCLOSED HEREIN AND HEREWITH IS NOT TO BE REPRODUCED, USED, OR DISCLOSED IN WHOLE OR IN PART TO ANYONE WITHOUT THE PERMISSION OF RF CONCEPTS LLC.

PROJECT NO. 9500	DATE 07/25/08	RF CONCEPTS LLC		6185 ARAPAHOE RD. BOULDER, COLORADO 80303 PHONE: (303) 473-9232 FAX: (303) 473-9660
ENGINEER G. HARDMAN	DRAWN BY R. FOCKEN	TITLE: SCH,OUTPUT/CONTROLLER,9500		
DRAWING FILE: BCX-X421_REV_A.SCH		SIZE C	DRAWING # BCX-X421	REV. B
PAGES POWERLOGIC DRAWING		SCALE		SHEET 1 OF 8



PROJECT NO. 9500		RF CONCEPTS LLC		6185 ARAPAHOE RD. BOULDER, COLORADO 80303 PHONE: (303) 473-9232 FAX: (303) 473-9660	
ENGINEER: G. HARDMAN	DATE: 07/25/08			TITLE: SCH,OUTPUT/CONTROLLER,9500	
DRAWN BY: B. FOCKEN	DRAFT DATE: 07/25/08	SIZE: C	DRAWING #: BCX-X421	REV. B	
DRAWING FILE: BCX-X421_REV_A.SCH CONTROLLER		SCALE:		SHEET 2 OF 8	

D

D

C

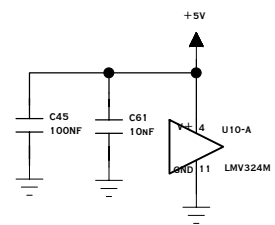
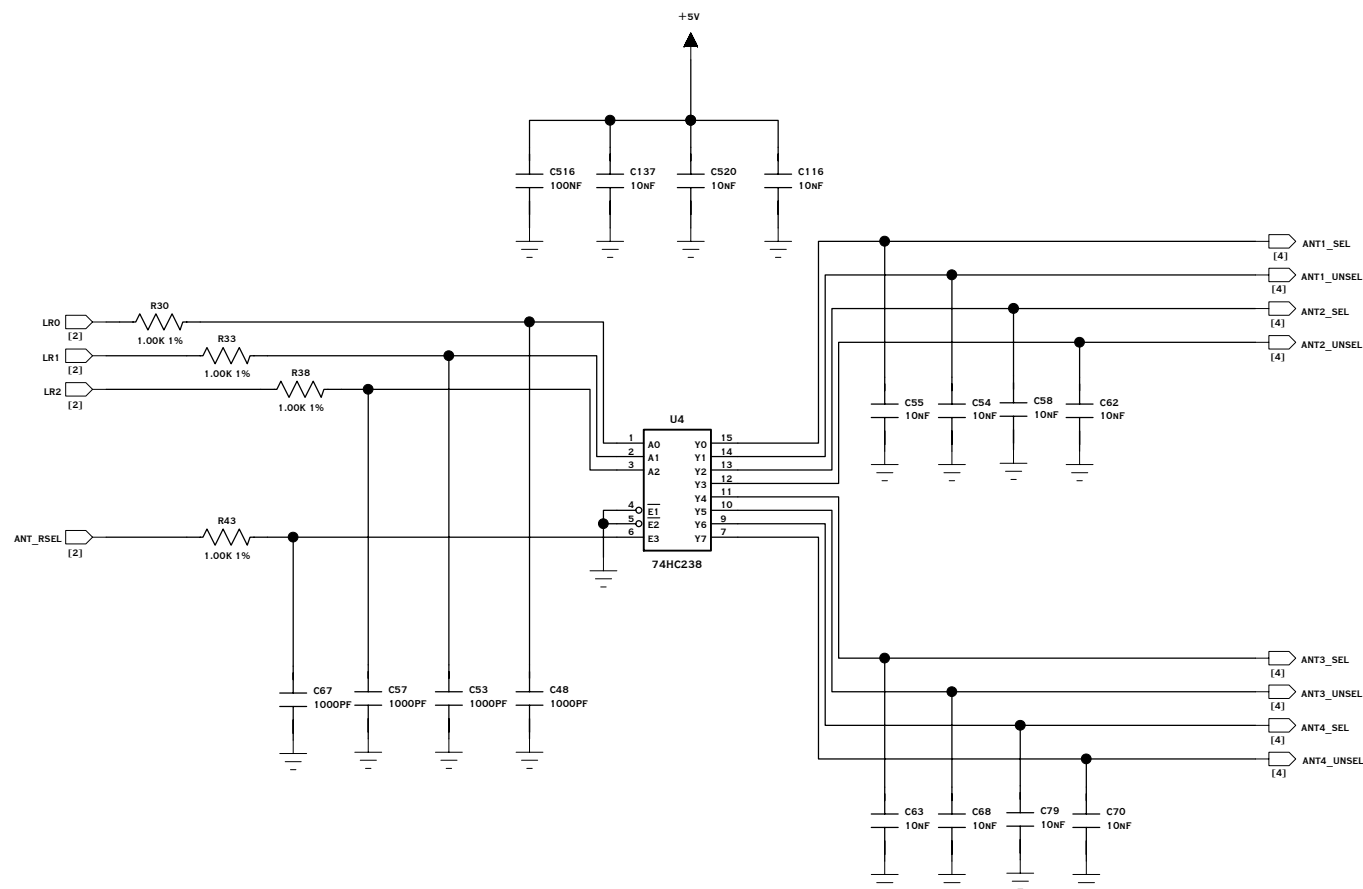
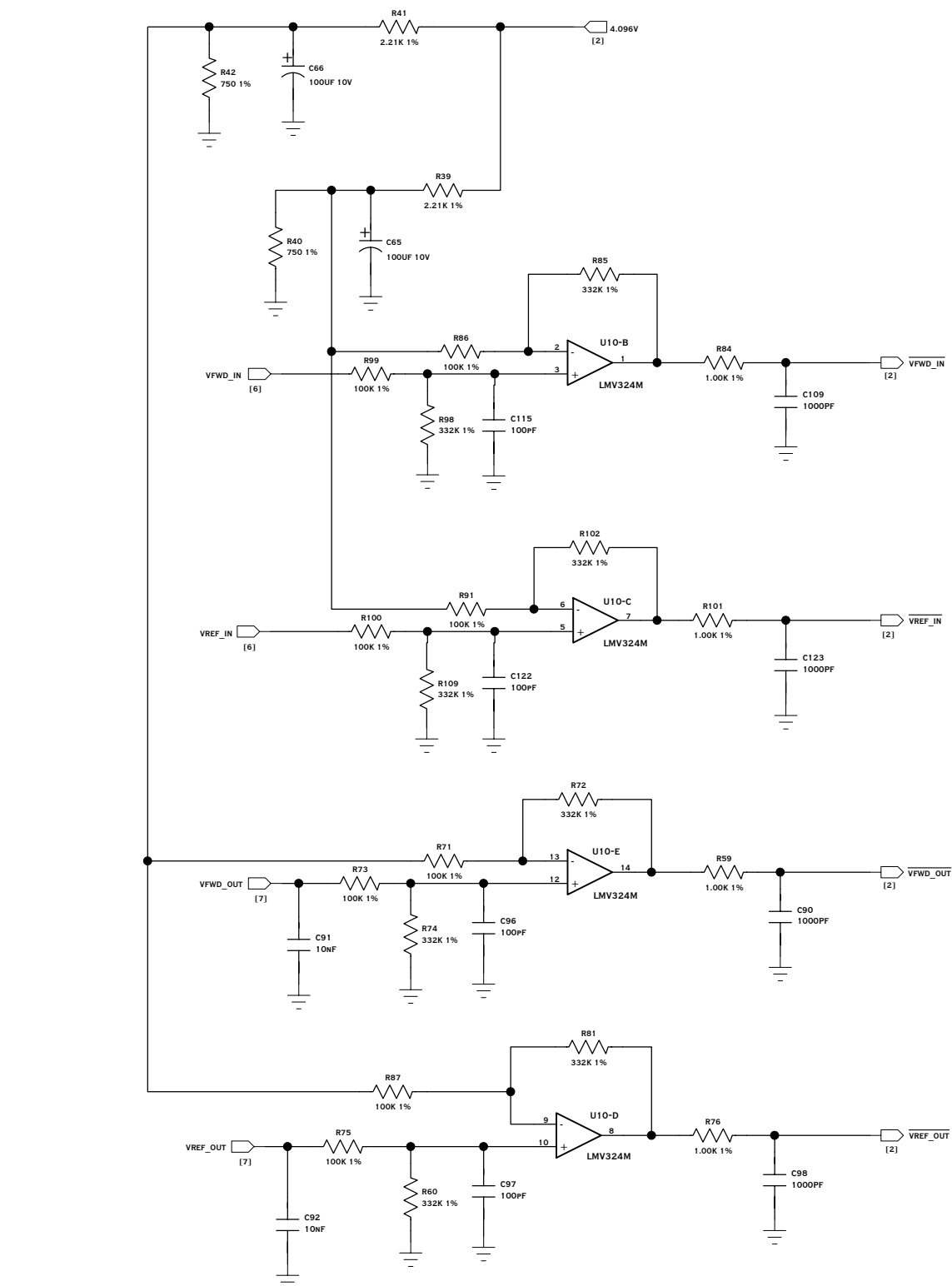
C

B

B

A

A



PROJECT NO. 9500	ENGINEER: G. HARDMAN		DATE: 07/25/08	RF CONCEPTS LLC		6185 ARAPAHOE RD. BOULDER, COLORADO 80303 PHONE: (303) 473-9232 FAX: (303) 473-9660	
DRAWN BY: B. FOCKEN	DRAFT DATE: 07/25/08		TITLE: SCH,OUTPUT/CONTROLLER,9500				
DRAWING FILE: BCX-X421_REV_A.SCH CONTROLLER			SIZE C	DRAWING # BCX-X421		REV. B	
PADS POWERLOGIC DRAWING			SCALE		SHEET 3 OF 8		

6

5

4

3

2

1

D

C

B

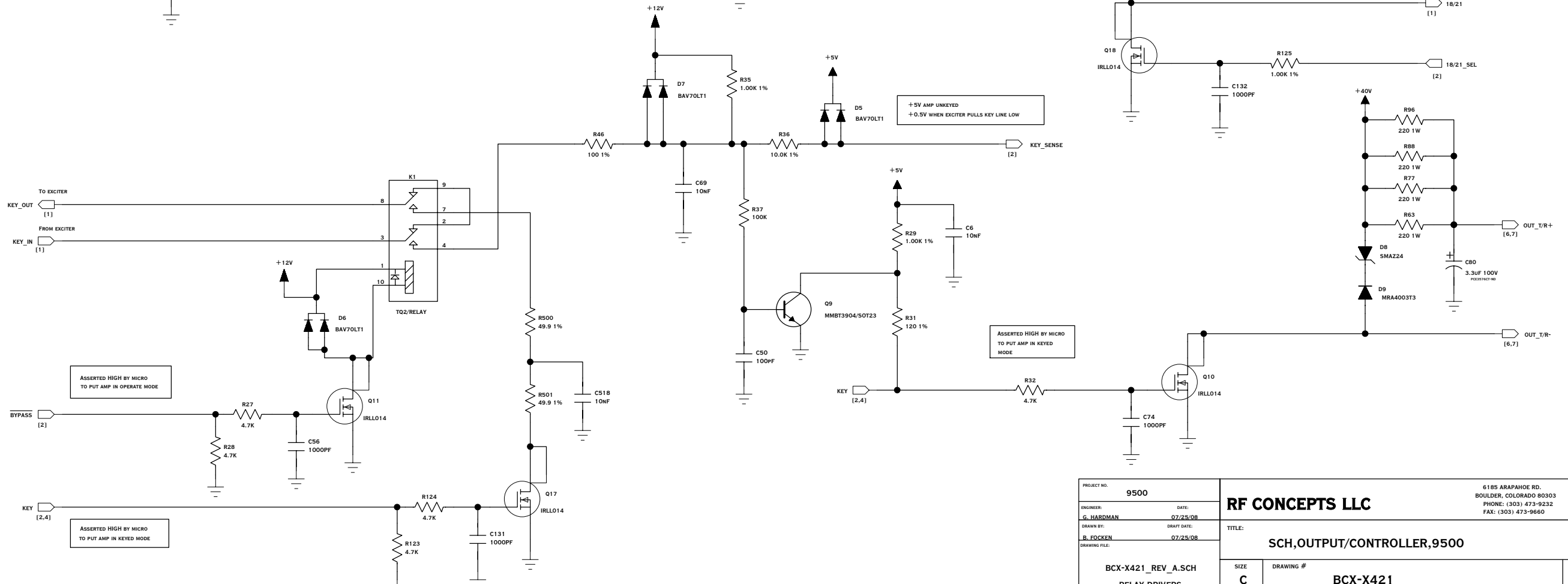
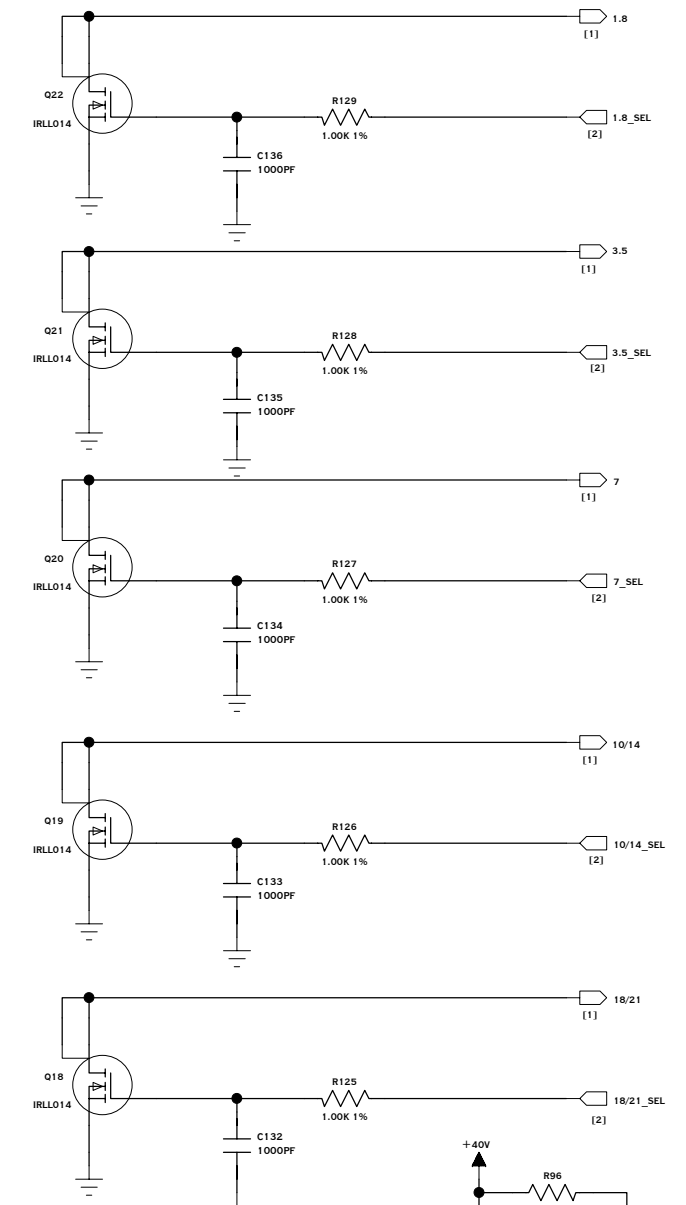
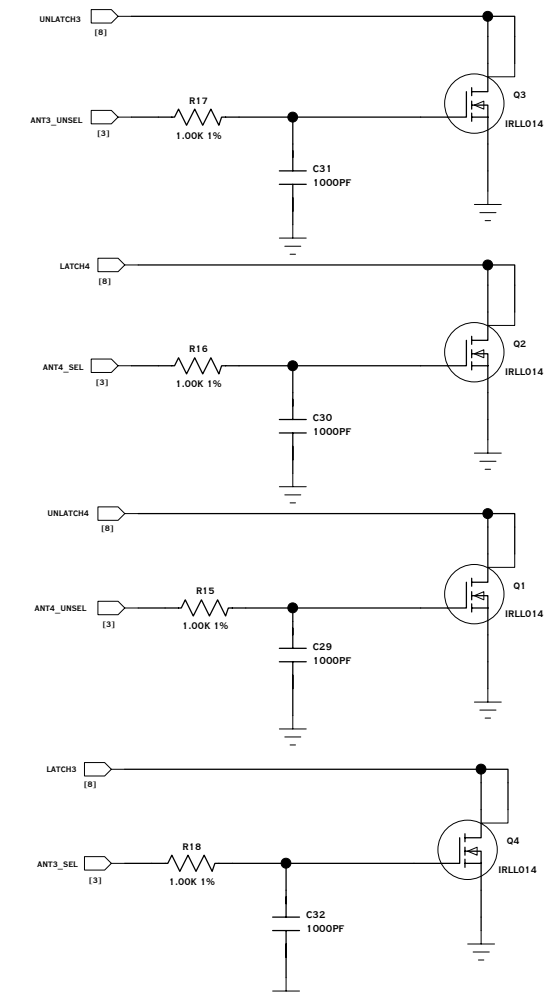
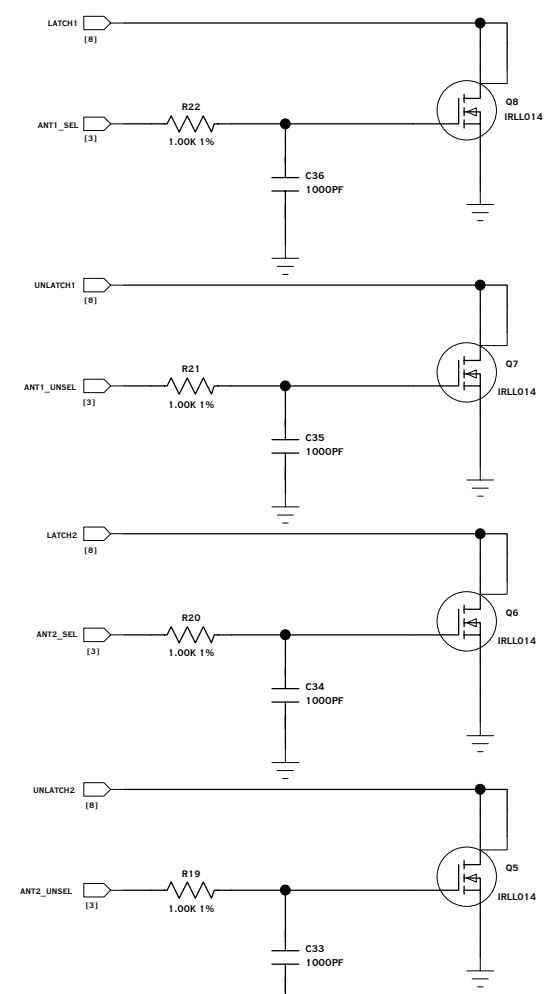
A

D

C

B

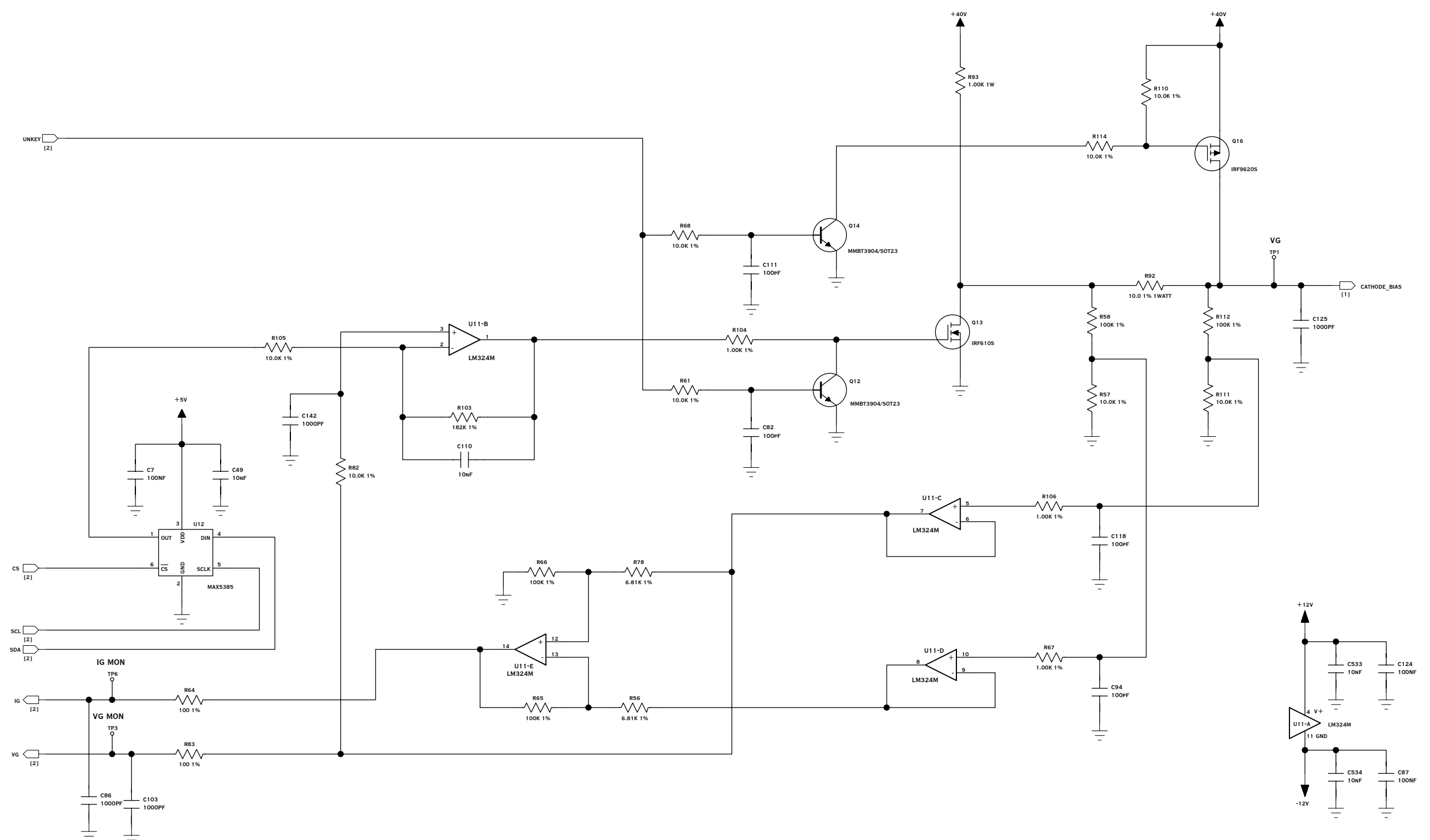
A



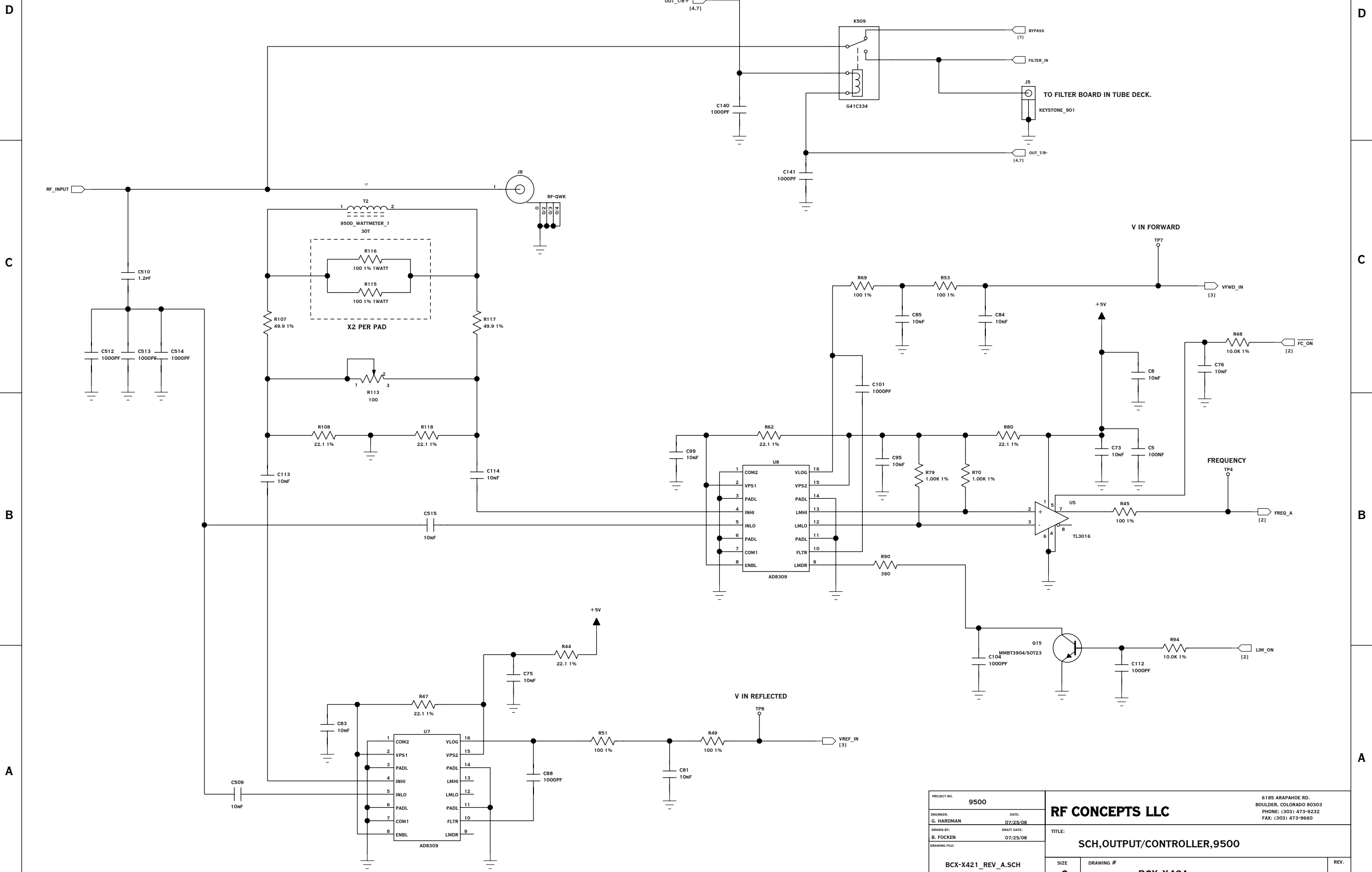
PROJECT NO. 9500	DATE 07/25/08	RF CONCEPTS LLC		6185 ARAPAHOE RD. BOULDER, COLORADO 80303
ENGINEER G. HARDMAN	DRAWN BY R. FOCKEN	TITLE SCH,OUTPUT/CONTROLLER,9500		PHONE: (303) 473-9232 FAX: (303) 473-9660
BCX-X421_REV_A.SCH RELAY DRIVERS		SIZE C	DRAWING # BCX-X421	REV. A
PADS POWERLOGIC DRAWING		SCALE		SHEET 4 OF 8

6 5 4 3 2 1

D C B A



PROJECT NO. 9500	DATE 07/25/08		6185 ARAPAHOE RD. BOULDER, COLORADO 80303 PHONE: (303) 473-9232 FAX: (303) 473-9660	
ENGINEER G. HARDMAN	DRAWN BY B. FOCKEN		RF CONCEPTS LLC	
DRAWING FILE: BCX-X421_REV_A.SCH	TUBE BIAS		TITLE: SCH,OUTPUT/CONTROLLER,9500	
SIZE C	DRAWING # BCX-X421	REV. A		
PADS POWERLOGIC DRAWING		SCALE	SHEET 5 OF 8	



PROJECT NO. 9500		6185 ARAPAHOE RD. BOULDER, COLORADO 80303	
ENGINEER: G. HARDMAN	DATE: 07/25/08	PHONE: (303) 473-9232	
DRAWN BY: B. FOCKEN	DRAFT DATE: 07/25/08	FAX: (303) 473-9660	
DRAWING FILE:		TITLE: SCH,OUTPUT/CONTROLLER,9500	
BCX-X421_REV_A.SCH	SIZE: C	DRAWING #: BCX-X421	REV. A
PADS POWERLOGIC DRAWING		SCALE:	SHEET 6 OF 8

6

5

4

3

2

1

D

D

C

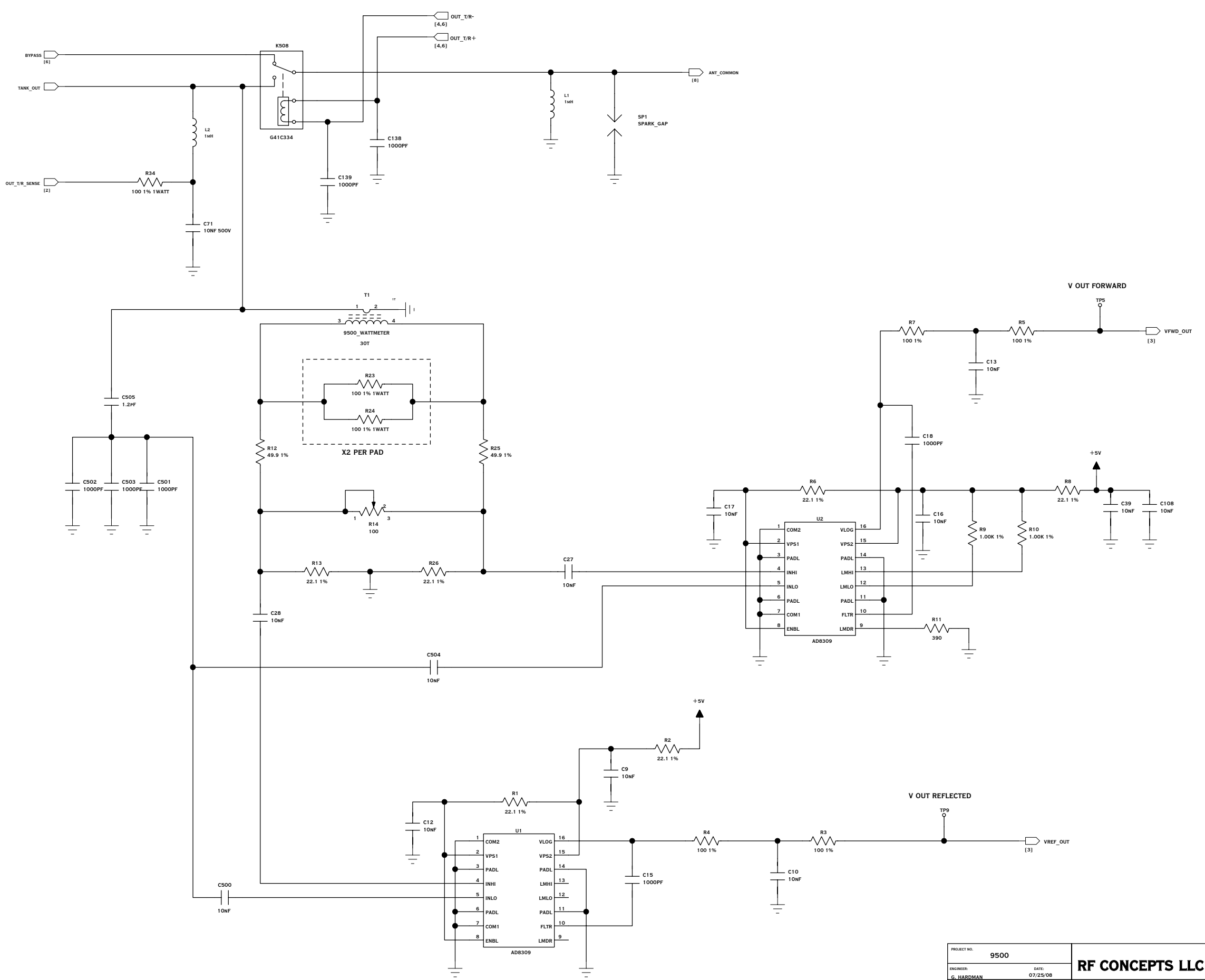
C

B

B

A

A



PROJECT NO. 9500	6185 ARAPAHOE RD. BOULDER, COLORADO 80303 PHONE: (303) 473-9232 FAX: (303) 473-9660	
ENGINEER: G. HARDMAN	DATE: 07/25/08	RF CONCEPTS LLC
DRAWN BY: R. FOCKEN	DRAFT DATE: 07/25/08	TITLE: SCH,OUTPUT/CONTROLLER,9500
DRAWING FILE: BCX-X421_REV_A.SCH	SIZE: C	DRAWING #: BCX-X421
OUTPUT WATT METER	SCALE:	REV. A
PADS POWERLOGIC DRAWING		SHEET 7 OF 8

6

5

4

3

2

1

D

D

C

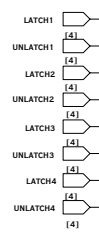
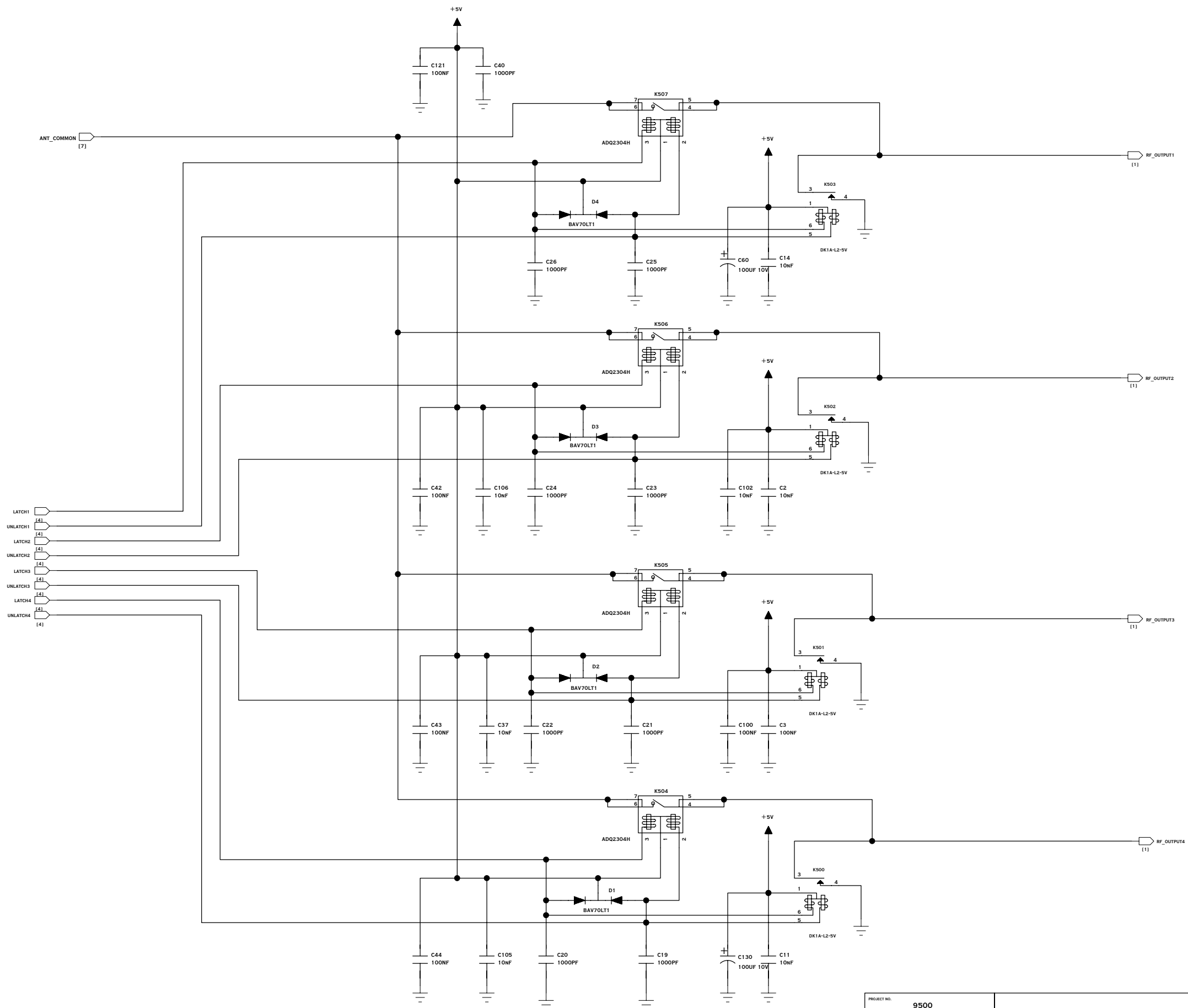
C

B

B

A

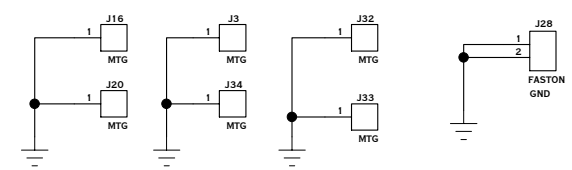
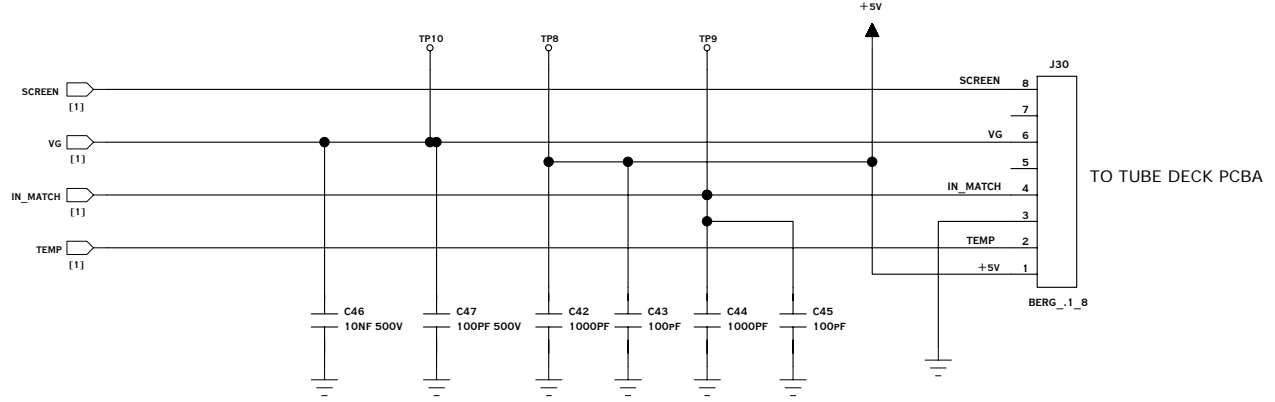
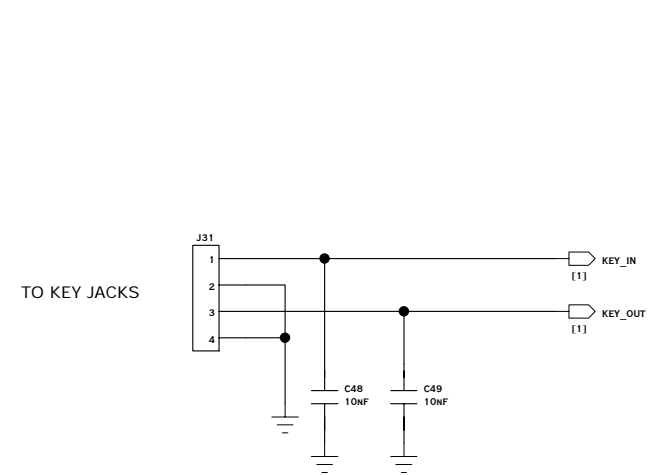
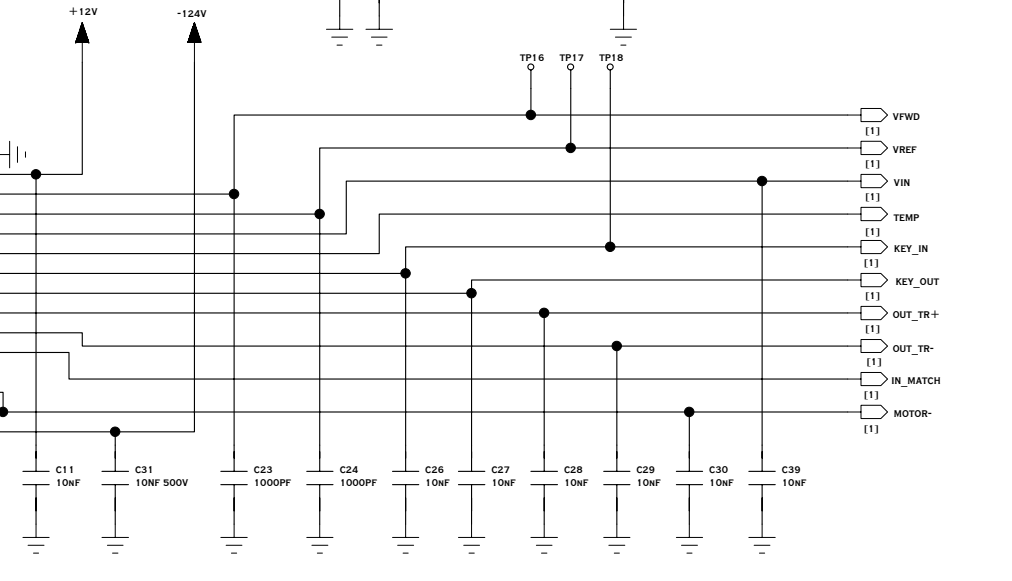
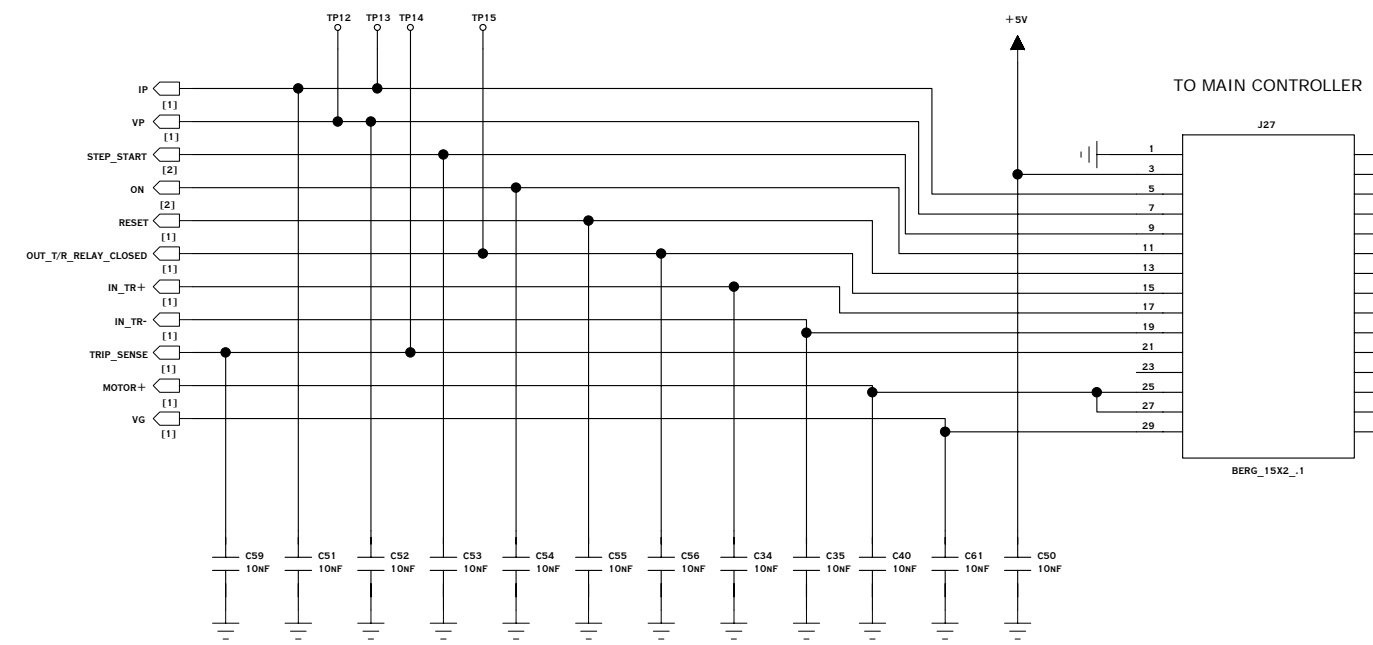
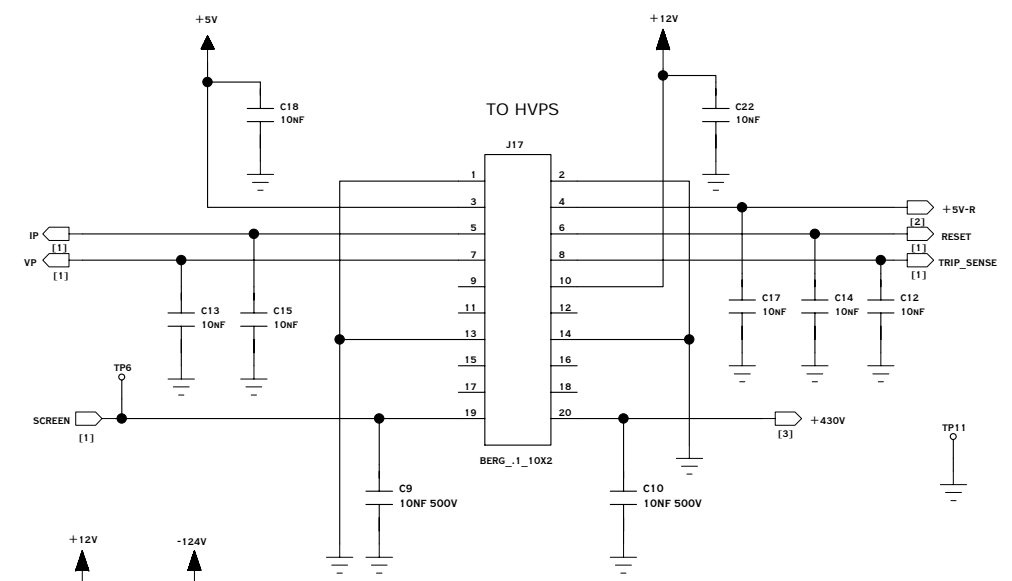
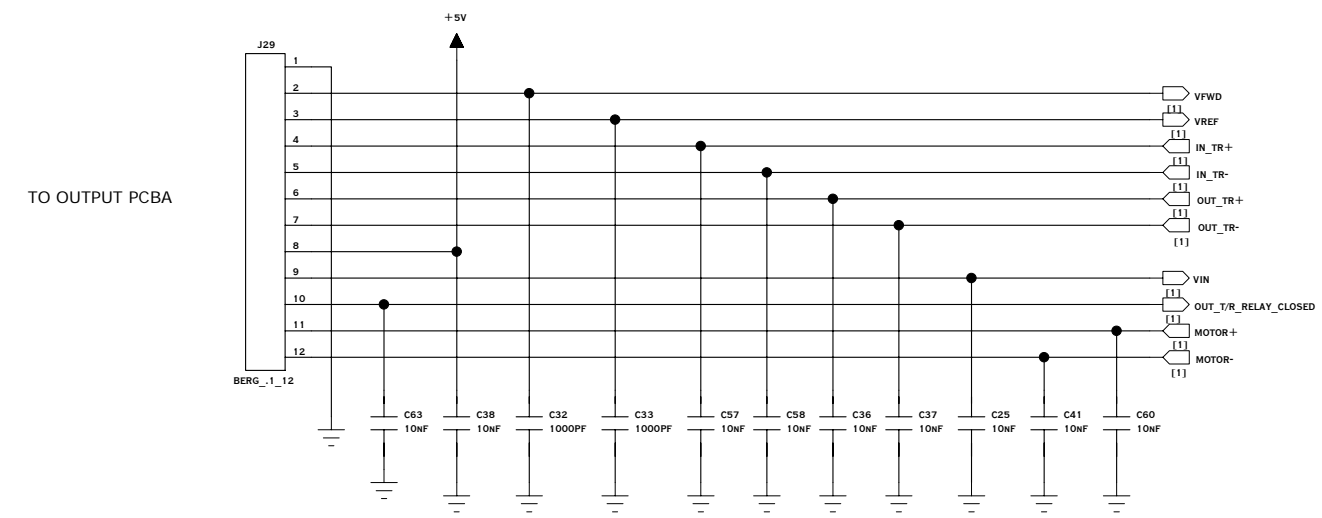
A



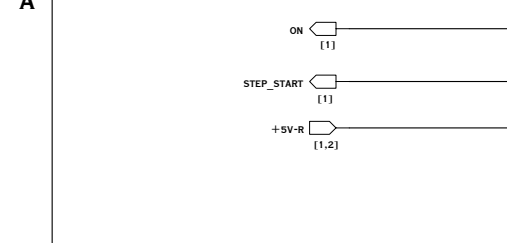
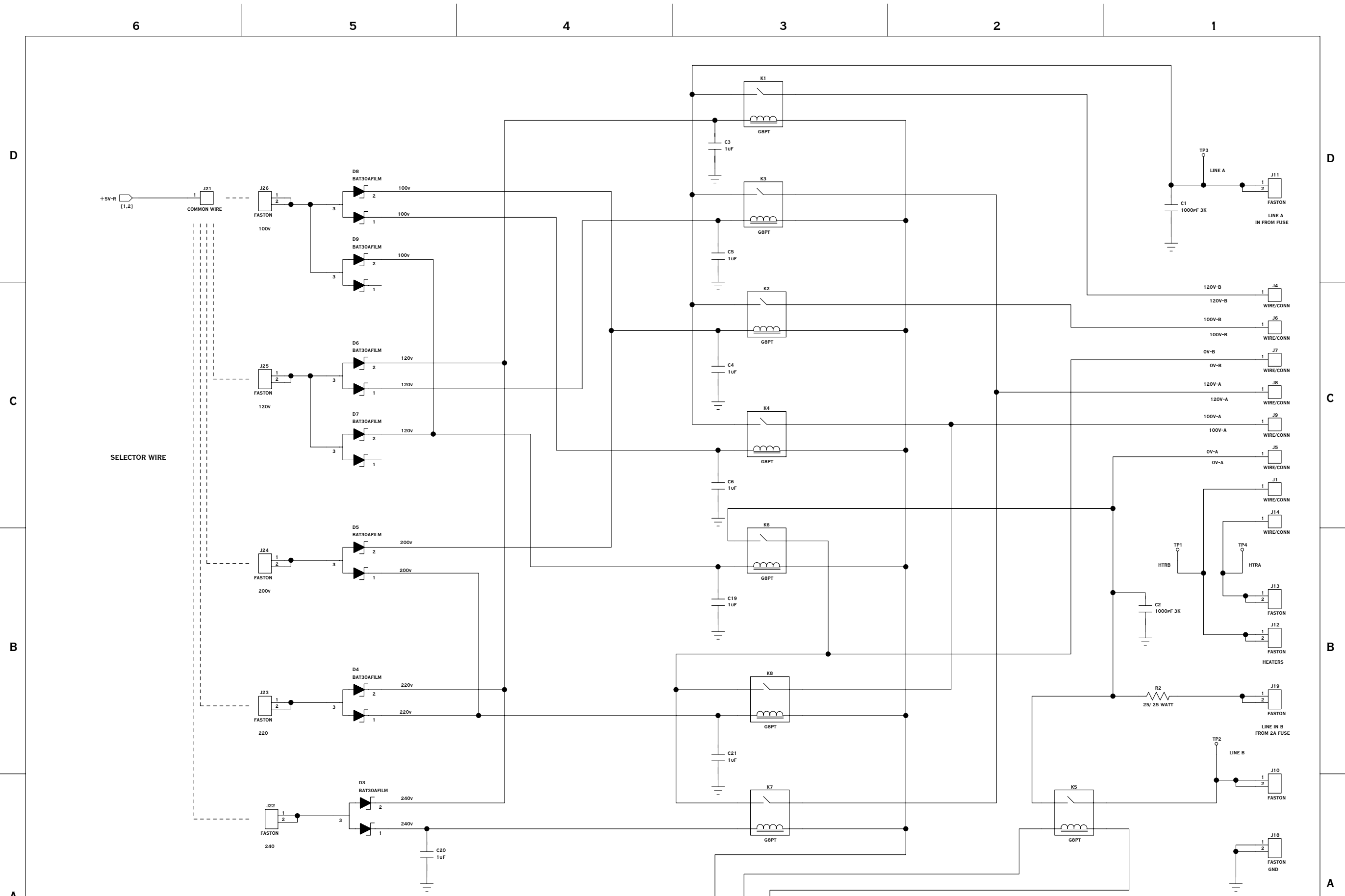
PROJECT NO. 9500		RF CONCEPTS LLC		6185 ARAPAHOE RD. BOULDER, COLORADO 80303 PHONE: (303) 473-9232 FAX: (303) 473-9660	
ENGINEER: G. HARDMAN	DATE: 07/25/08			TITLE: SCH,OUTPUT/CONTROLLER,9500	
DRAWN BY: R. FOCKEN	DRAFT DATE: 07/25/08	SIZE: C	DRAWING #: BCX-X421	REV. A	
DRAWING FILE: BCX-X421_REV_A.SCH		SCALE:		SHEET 8 OF 8	

6 5 4 3 2 1

REVISION HISTORY					
REV	ECO NO.	DESCRIPTION	CHANGED BY & DATE	CHECKED BY & DATE	EFFECTIVITY DATE

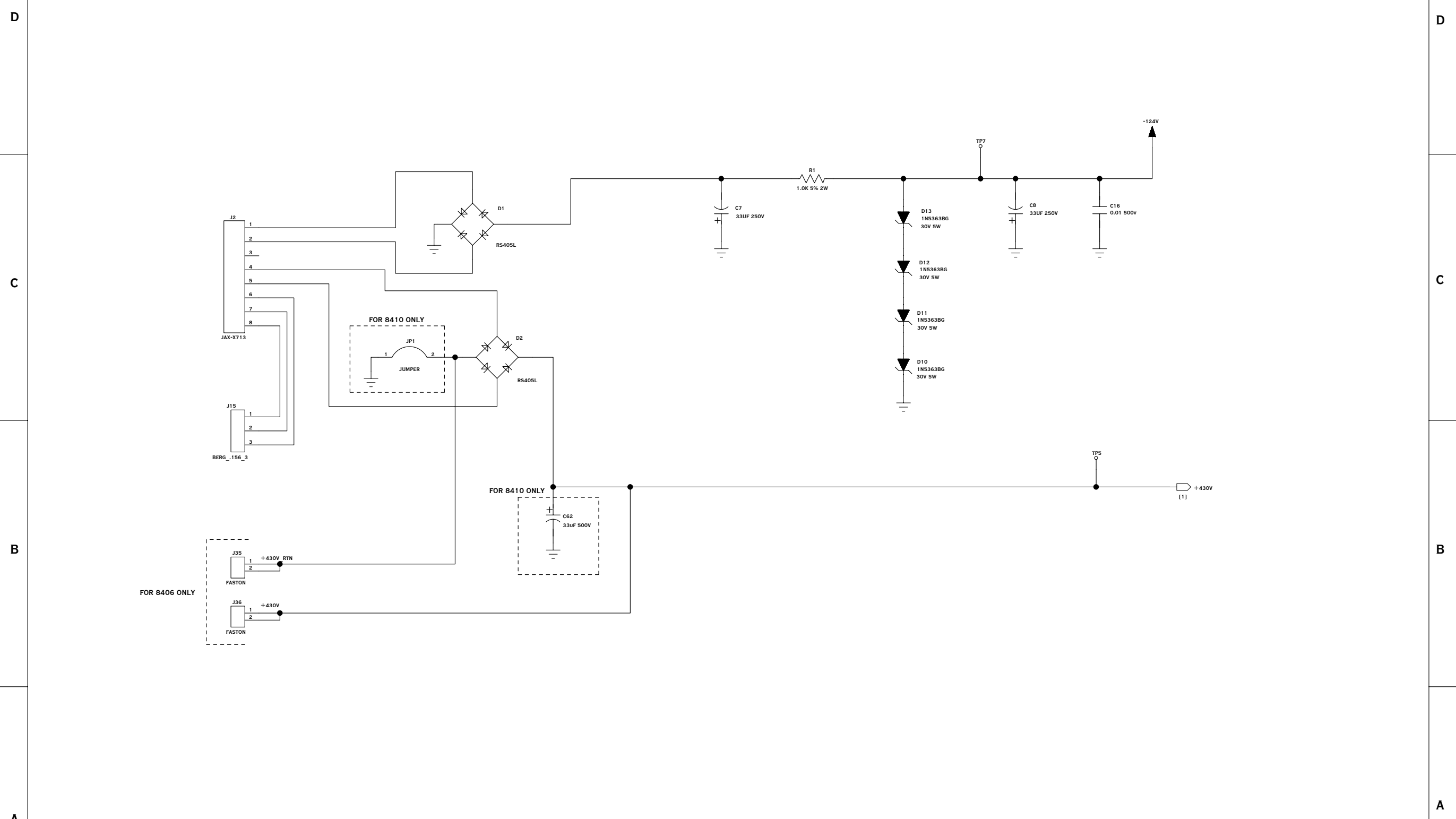


UNLESS OTHERWISE SPECIFIED DIMENSIONS ARE IN INCHES TOLERANCES ARE: .XX ±0.01 ANGLE: 0.5 .XXX ±0.001	PROJECT NO. 8410	RF CONCEPTS LLC 6185 ARAPAHOE RD. BOULDER, COLORADO 80303 PHONE: (303) 473-9232 FAX: (303) 473-9660
	DRAWN BY: B. FOCKEN	
PROPRIETARY NOTICE: THIS DOCUMENT AND DATA DISCLOSED HEREIN AND HEREWITH IS NOT TO BE REPRODUCED, USED, OR DISCLOSED IN WHOLE OR ANY PART TO ANYONE WITHOUT THE PERMISSION OF RF CONCEPTS LLC.	DATE: 02/04/11 DRAFT DATE: 02/04/11	TITLE: SCH,ALPHA 8410,MAINS
DRAWING FILE: BCX-X815_REV_A.SCH	SIZE: C	DRAWING #: BCX-X815
PADS POWERLOGIC DRAWING	SCALE:	REV. #: A



<small>UNLESS OTHERWISE SPECIFIED DIMENSIONS ARE IN INCHES TOLERANCES ARE: XX +/- 0.01 ANGLE: 0.5 XXX +/- 0.001</small>	<small>PROJECT NO.</small> 8410	RF CONCEPTS LLC <small>6185 ARAPAHOE RD. BOULDER, COLORADO 80303 PHONE: 303-473-9232 FAX: 303-473-9660</small>		
	<small>DRAWN BY:</small> B. FOCKEN	<small>DRAFT DATE:</small> 02/04/11	<small>TITLE:</small> SCH,ALPHA 8410,MAINS	
<small>PROPRIETARY NOTICE:</small> THIS DOCUMENT AND DATA DISCLOSED HEREIN AND HEREWITH IS NOT TO BE REPRODUCED, COPIED, OR DISCLOSED IN WHOLE OR ANY PART TO ANYONE WITHOUT THE PERMISSION OF RF CONCEPTS LLC.	<small>DRAWING FILE:</small> BCX-X815_REV_A.SCH	<small>SIZE</small> C	<small>DRAWING #</small> BCX-815	<small>REV.</small> A
<small>PADS POWERLOGIC DRAWING</small>	<small>SCALE</small>	<small>SHEET 2 OF 3</small>		

6 5 4 3 2 1



<small>UNLESS OTHERWISE SPECIFIED DIMENSIONS ARE IN INCHES TOLERANCES ARE: XX +/- 0.01 ANGLE: 0.5 XXX +/- 0.001</small>	<small>PROJECT NO.</small> 8410	<small>6185 ARAPAHOE RD. BOULDER, COLORADO 80303 PHONE: 303-473-9232 FAX: 303-473-9660</small>		
	<small>DRAWN BY:</small> B. FOCKEN	<small>DRAFT DATE:</small> 02/04/11	<small>TITLE:</small> SCH,ALPHA 8410 MAINS	
<small>PROPRIETARY NOTICE: THIS DOCUMENT AND DATA DISCLOSED HEREIN AND HEREWITH IS NOT TO BE REPRODUCED, USED, OR DISCLOSED IN WHOLE OR ANY PART TO ANYONE WITHOUT THE PERMISSION OF RF CONCEPTS LLC.</small>	<small>DRAWING FILE:</small> BCX-X815_REV_A.SCH	<small>SIZE</small> C	<small>DRAWING #</small> BCX-815	<small>REV.</small> A
	<small>PADS POWERLOGIC DRAWING</small>	<small>SCALE</small>	<small>SHEET 3 OF 3</small>	

6

5

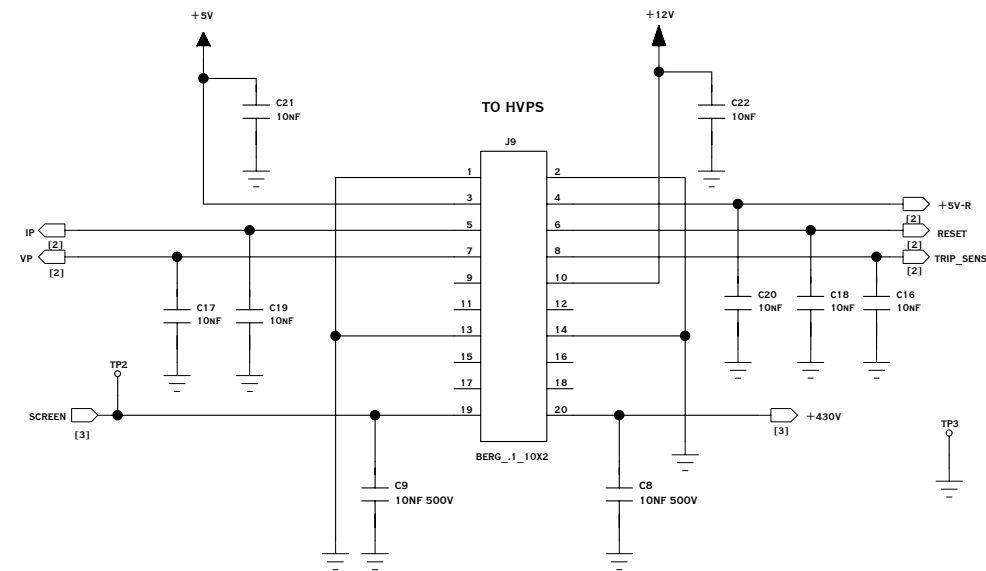
4

3

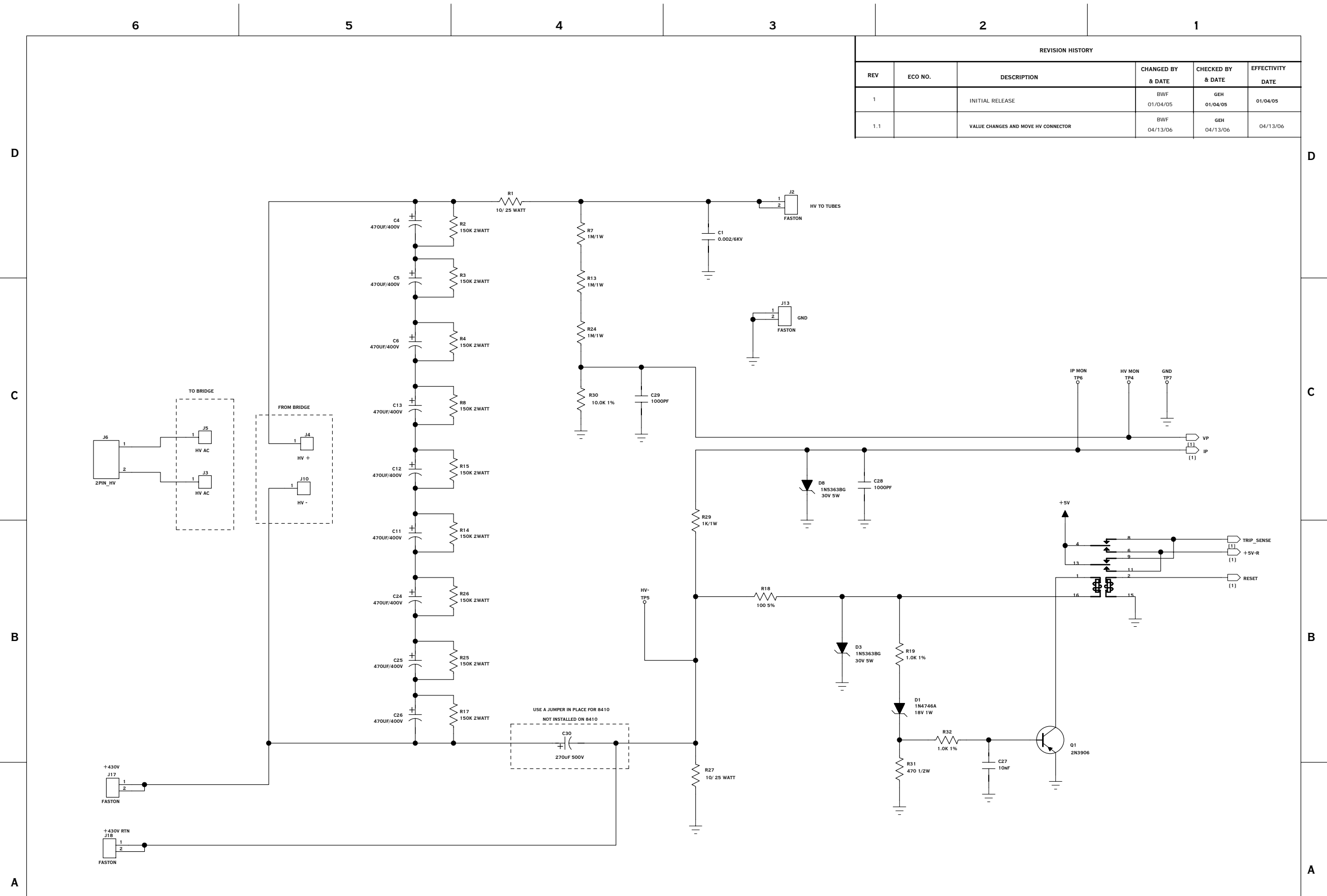
2

1

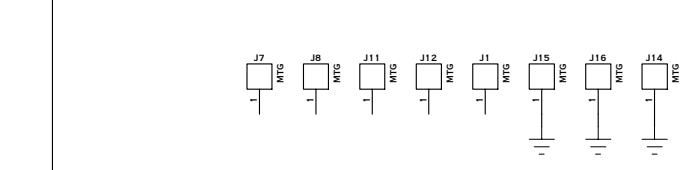
REVISION HISTORY					
REV	ECO NO.	DESCRIPTION	CHANGED BY & DATE	CHECKED BY & DATE	EFFECTIVITY DATE



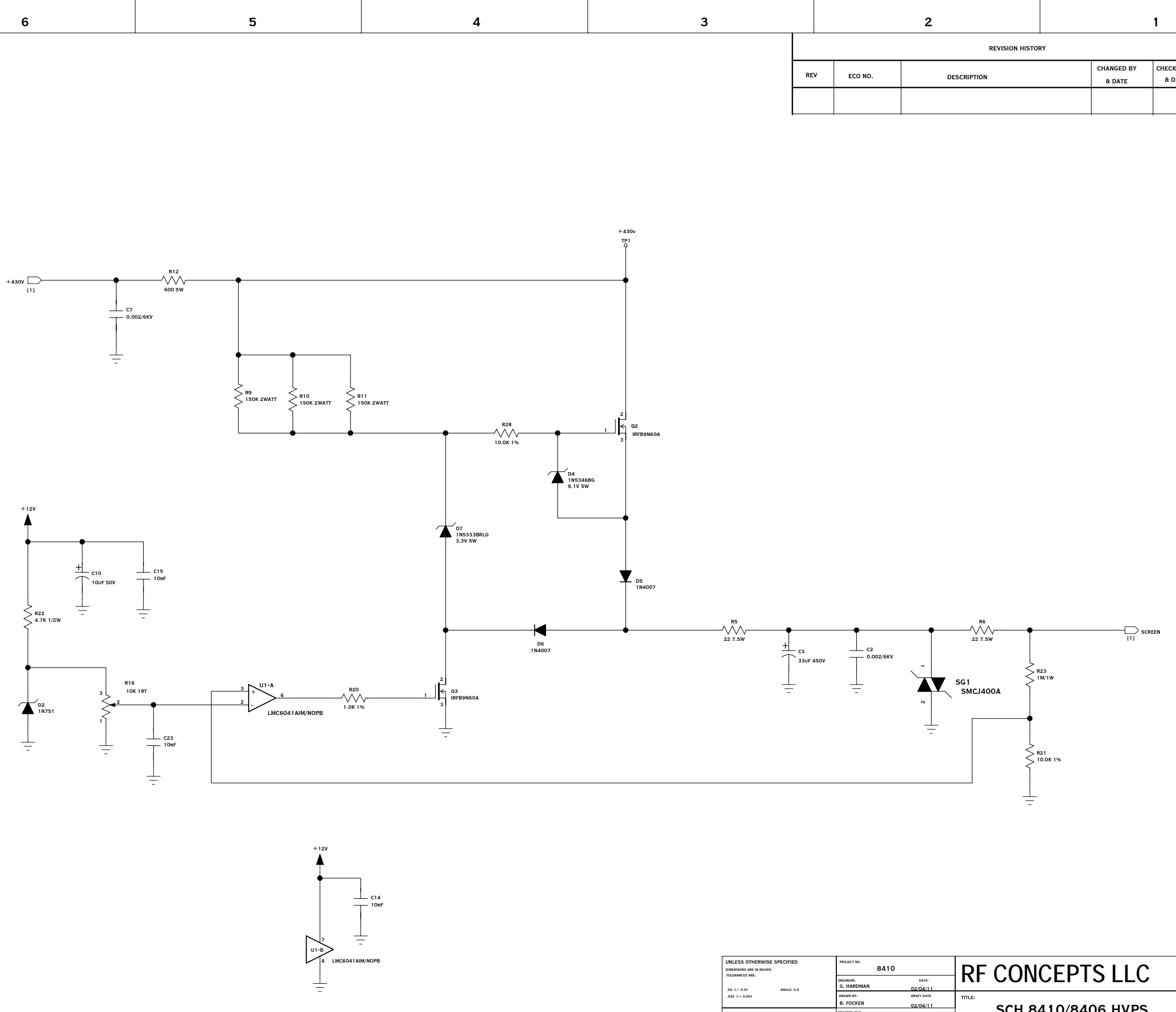
UNLESS OTHERWISE SPECIFIED DIMENSIONS ARE IN INCHES TOLERANCES ARE: XX +/- 0.01 ANGLE: 0.5 XXX +/- 0.001	PROJECT NO. 8410/8406	RF CONCEPTS LLC. 634 SOUTH SUNSET LONGMONT, COLORADO 80501 PHONE: (303) 473-9232 FAX: (303) 473-9660	
	ENGINEER: G. HARDMAN DATE: 02/04/11		DRAWN BY: B. FOCKEN DRAFT DATE: 02/04/11
PROPERTIES NOTICE: THIS DOCUMENT AND DATA DISCLOSED HEREIN AND HEREWITH IS NOT TO BE REPRODUCED, USED, OR DISCLOSED IN WHOLE OR ANY PART TO ANYONE WITHOUT THE PERMISSION OF RF CONCEPTS LLC.	DRAWING FILE: BCX-X816_REV_A.SCH	TITLE: SCH,8410/8406,HVPS	
PADS POWERLOGIC DRAWING	SIZE C	DRAWING # BCX-X816	REV. A
SCALE		SHEET 1 OF 3	



REVISION HISTORY					
REV	ECO NO.	DESCRIPTION	CHANGED BY & DATE	CHECKED BY & DATE	EFFECTIVITY DATE
1		INITIAL RELEASE	BWF 01/04/05	GEH 01/04/05	01/04/05
1.1		VALUE CHANGES AND MOVE HV CONNECTOR	BWF 04/13/06	GEH 04/13/06	04/13/06



<small>UNLESS OTHERWISE SPECIFIED DIMENSIONS ARE IN INCHES TOLERANCES ARE: .XX +/- 0.01 ANGLE: 0.5 .XXX +/- 0.001</small>	PROJECT NO. 8410/8406 ENGINEER: G. HARDMANN DATE: 02/04/11 DRAWN BY: B. FOCKEN DRAFT DATE: 02/04/11 DRAWING FILE: BCX-X816_REV_A.SCH	RF CONCEPTS LLC 634 SOUTH SUNSET LONGMONT, COLORADO 80501 PHONE: (303) 473-9232 FAX: (303) 473-9660
	TITLE: SCH,ALPHA 8410/8406, HVPS SIZE: C DRAWING #: BCX-X416 REV: A	
<small>PROPRIETARY NOTICE: THIS DOCUMENT AND DATA DISCLOSED HEREIN AND HEREBY IS NOT TO BE REPRODUCED, USED, OR DISCLOSED IN WHOLE OR ANY PART TO ANYONE WITHOUT THE PERMISSION OF RF CONCEPTS LLC.</small>	PADS POWERLOGIC DRAWING SCALE	SHEET 2 OF 3



REVISION HISTORY					
REV	ECO NO.	DESCRIPTION	CHANGED BY & DATE	CHECKED BY & DATE	EFFECTIVITY DATE

UNLESS OTHERWISE SPECIFIED DIMENSIONS ARE IN INCHES TOLERANCES ARE: XX .1-0.01 ANGLE 0.5 XXX .1-0.001	PROJECT NO. 8410	RF CONCEPTS LLC 634 SOUTH SUNSET LONGMONT, COLORADO 80501 PHONE: (303) 473-9232 FAX: (303) 473-9660		
	ENGINEER: G. HARDMAN DATE: 02/04/11			
PROPRIETARY NOTICE: THIS DOCUMENT AND DATA DISCLOSED HEREIN AND HEREWITH IS NOT TO BE REPRODUCED, USED, OR DISCLOSED IN WHOLE OR ANY PART TO ANYONE WITHOUT THE PERMISSION OF RF CONCEPTS LLC.	DRAWN BY: B. FOCKEN DRAFT DATE: 02/04/11	TITLE: SCH,8410/8406,HVPS		
	DRAWING FILE: BCX-X816_REV_A.SCH	SIZE C	DRAWING # BCX-X816	REV. A
	PADS POWERLOGIC DRAWING	SCALE	SHEET 3 OF 3	