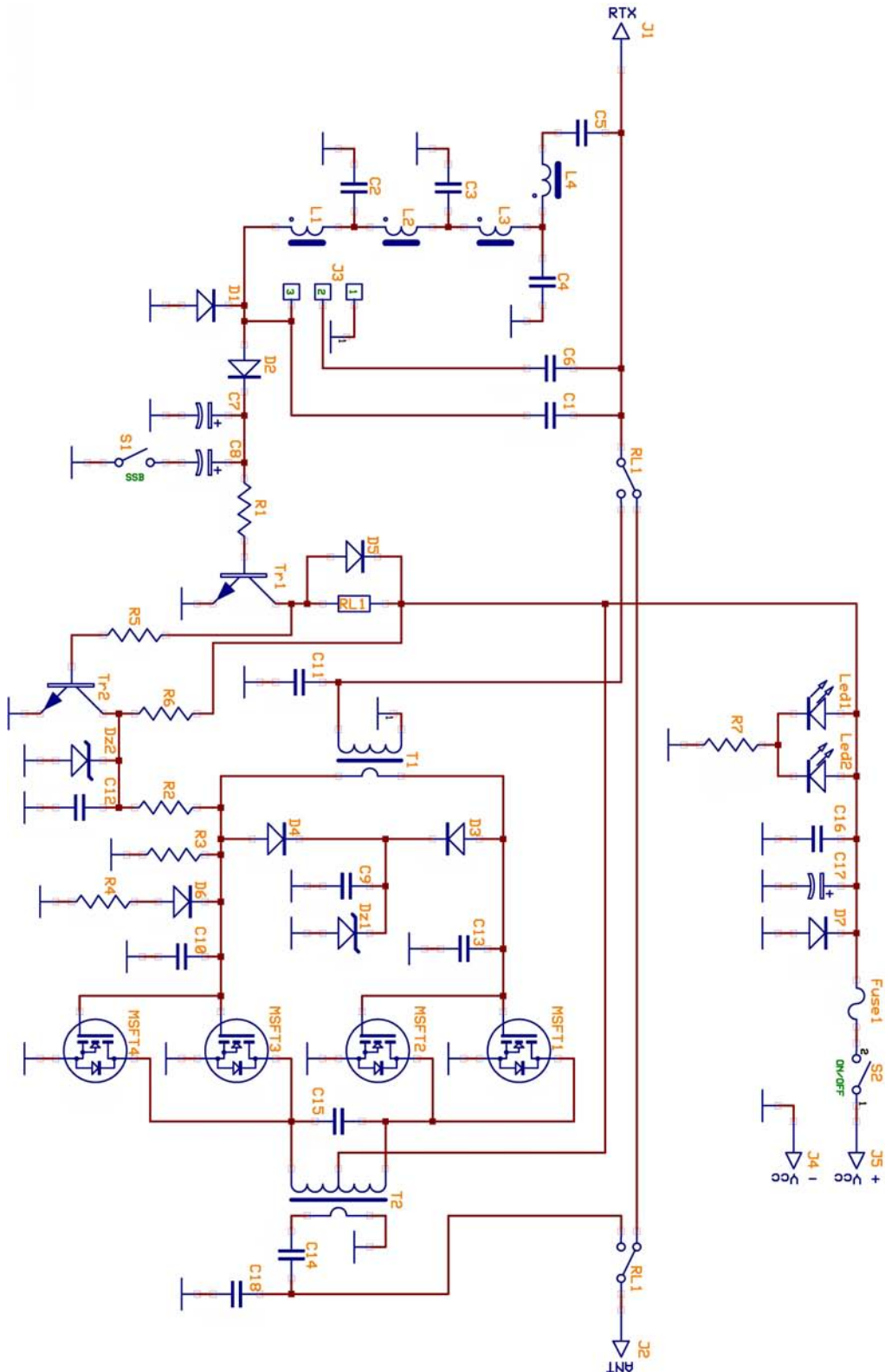
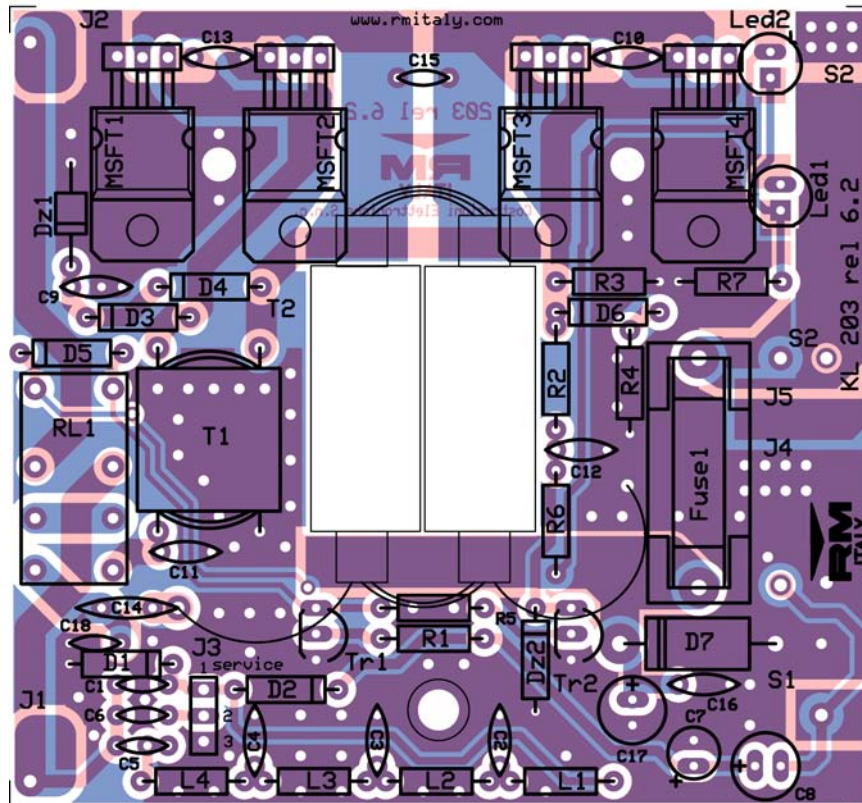




# Amplificatore KL203

Rel 6.20





-List of components

C 1	= 8,2 pF	50 V	NP0	Dz 2	= Zener 7,5 V ½W
C 2	= not present			Led 1	= not present
C 3	= not present			Led 2	= Led Rosso
C 4	= not present			TR 1	= BC 547 B
C 5	= not present			TR 2	= BC 547 B
C 6	= not present			MSFT 1	= MOS RM3
C 7	= 4,7 µF	16 V		MSFT 2	= MOS RM3
C 8	= 33 µF	16 V	Con relè Finder	MSFT 3	= MOS RM3
C 8	= 22 µF	16 V	Con relè GoodSky	MSFT 4	= MOS RM3
C 9	= 10 nF	50 V		S 1	= Switch (AM - SSB)
C 10	= 270 pF	50 V	N750	S 2	= Switch (ON - OFF)
C 11	= 180 pF	50 V	N750	L 1	= not present
C 12	= 100 nF	50 V		L 2	= not present
C 13	= 270 pF	50 V	N750	L 3	= not present
C 14	= 180 pF	500 V	N750	L 4	= not present
C 15	= 47 +180 pF	500V	N750	R1 1	= Relè 12 V 3022.7.012
C 16	= 100 nF	50 V		T 1	= Input transformer
C 17	= 100 µF	25 V		T 2	= Output transformer
C 18	= 33 pF	500 V	NP0	J 3	= not present
R 1	= 2,2 KΩ	¼W		Fuse	= 12 A
R 2	= 10 KΩ	¼W			
R 3	= 3,3 KΩ	¼W			
R 4	= 1,0 KΩ	¼W			
R 5	= 10 KΩ	¼W			
R 6	= 1,0 KΩ	¼W			
R 7	= 1,0 KΩ	¼W			
D 1	= 1N4148				
D 2	= 1N4148				
D 3	= 1N4148				
D 4	= 1N4148				
D 5	= 1N4148				
D 6	= 1N4148				
D 7	= 1N5400				
Dz 1	= Zener 20 V 1,3W				