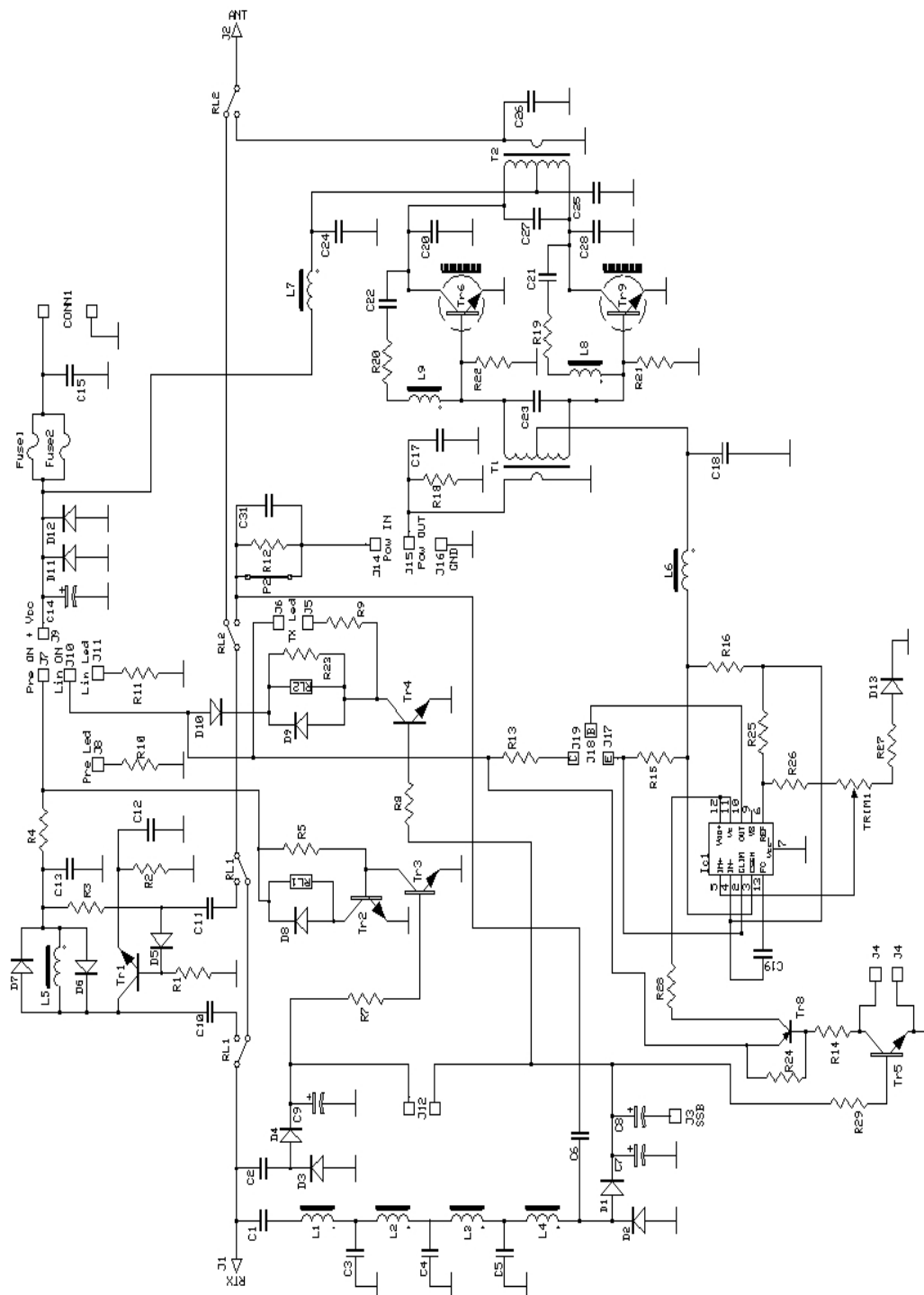
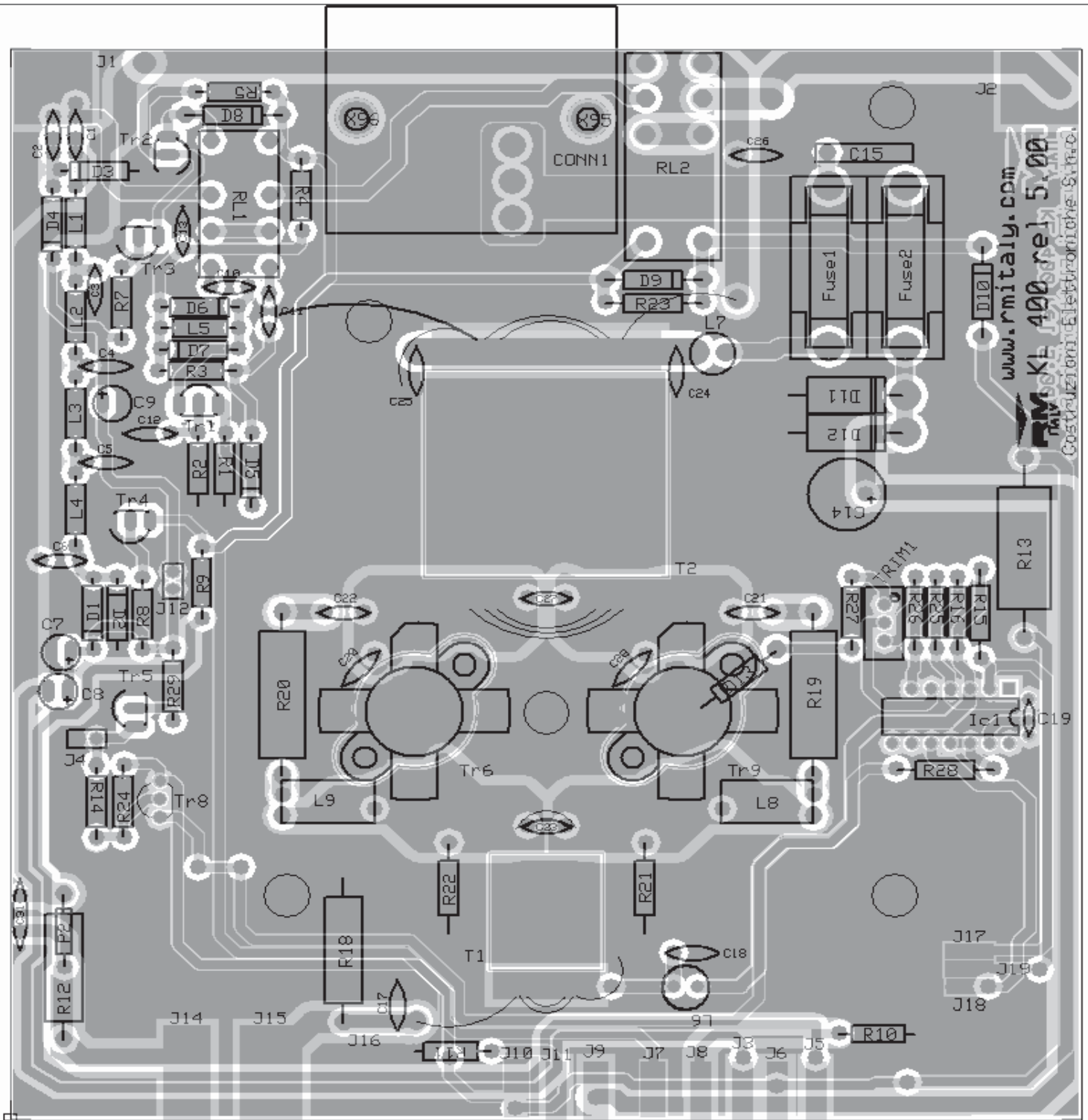


KL 405 Linear Amplifier

Schematic diagram

Version 5.00c





List of components

C ₁ = 3,3 pF	50 V	NP0	C ₈ = 33 μF	16 V	
C ₂ = 8,2 pF	50 V	NP0	C ₉ = 10 μF	16 V	
C ₃ = 82 pF	50 V	NP0	C ₁₀ = 150 pF	50 V	NP0
C ₄ = 100 pF	50 V	NP0	C ₁₁ = 56 pF	50 V	NP0
C ₅ = 100 pF	50 V	NP0	C ₁₂ = 470 pF	50 V	N750
C ₆ = 5,6 pF	50 V	NP0	C ₁₃ = 10 nF	50 V	
C ₇ = 2,2 μF	16 V		C ₁₄ = 470 μF	25V	
			C ₁₅ = 470 nF	100 V	Polyester

C ₁₇ = 270 pF	50 V	NP0	D ₁₀ = 1N4007
C ₁₈ = 10 nF	50 V		D ₁₁ = 1N5400
C ₁₉ = 1 nF	50 V		D ₁₂ = 1N5400
C ₂₀ = 220 pF	500 V	N750	D ₁₃ = 1N4007
C ₂₁ = 47 nF	50 V		Tr ₁ = BF 199
C ₂₂ = 47 nF	50 V		Tr ₂ = BC 547
C ₂₃ = Not Fitted			Tr ₃ = BC 547
C ₂₄ = 100 nF	50 V		Tr ₄ = BC 547
C ₂₅ = 100 nF	50 V		Tr ₅ = BC 547
C ₂₆ = 47 pF	1000 V	NP0	Tr ₆ = RM1051
C ₂₇ = 1100 pF	500 V	Silvered mica	Tr ₇ = 2SD2012
C ₂₈ = 220 pF	500 V	N750	Tr ₈ = BC327-25
C ₃₁ = 270 pF	500 V	N750	Tr ₉ = RM1051
R ₁ = 2,2 K Ω	1/4W		IC ₁ = LM723
R ₂ = 100 Ω	1/4W		L ₁ = 2,2 μ H
R ₃ = 12 K Ω	1/4W		L ₂ = 2,2 μ H
R ₄ = 100 Ω	1/4W		L ₃ = 2,2 μ H
R ₅ = 12 K Ω	1/4W		L ₄ = 2,2 μ H
R ₇ = 2,2 K Ω	1/4W		L ₅ = 10 μ H
R ₈ = 2,2 K Ω	1/4W		L ₆ = VK 200 1 wire
R ₉ = 1,0 K Ω	1/4W		L ₇ = VK 200 2 wires
R ₁₀ = 1,0 K Ω	1/4W		J ₄ = 2 Pin Header
R ₁₁ = 1,0 K Ω	1/4W		J ₁₂ = 2 Pin Header
R ₁₂ = 22 Ω	5W		Rl ₁ = Relè 12 V 30229012
R ₁₃ = 22 Ω	5W		Rl ₂ = Relè 12 V 41529012
R ₁₄ = 4,7 K Ω	1/4W		Fuse = 2 x 12A 5x20 Fast
R ₁₅ = 1,0 Ω	1/2W		T ₁ = Input transformer
R ₁₆ = 1,0 K Ω	1/4W		T ₂ = Output transformer
R ₁₈ = 180 Ω	2W		Conn ₁ = Phoenix PC 6-2-GF
R ₁₉ = 68 Ω	5W		
R ₂₀ = 68 Ω	5W		
R ₂₁ = 10 Ω	1/2W		
R ₂₂ = 10 Ω	1/2W		
R ₂₃ = Not Fitted			
R ₂₄ = 1,0 K Ω	1/4W		
R ₂₅ = 18 K Ω	1/4W		
R ₂₆ = 8,2 K Ω	1/4W		
R ₂₇ = 150 Ω	1/4W		
R ₂₈ = 1,0 Ω	1/2W		
R ₂₉ = 10 K Ω	1/4W		
Trim ₁ = 1,0 K Ω	Multiturn Trimmer		
D ₁ = 1N4148			
D ₂ = 1N4148			
D ₃ = 1N4148			
D ₄ = 1N4148			
D ₅ = 1N4148			
D ₆ = 1N4148			
D ₇ = 1N4148			
D ₈ = 1N4007			
D ₉ = 1N4007			