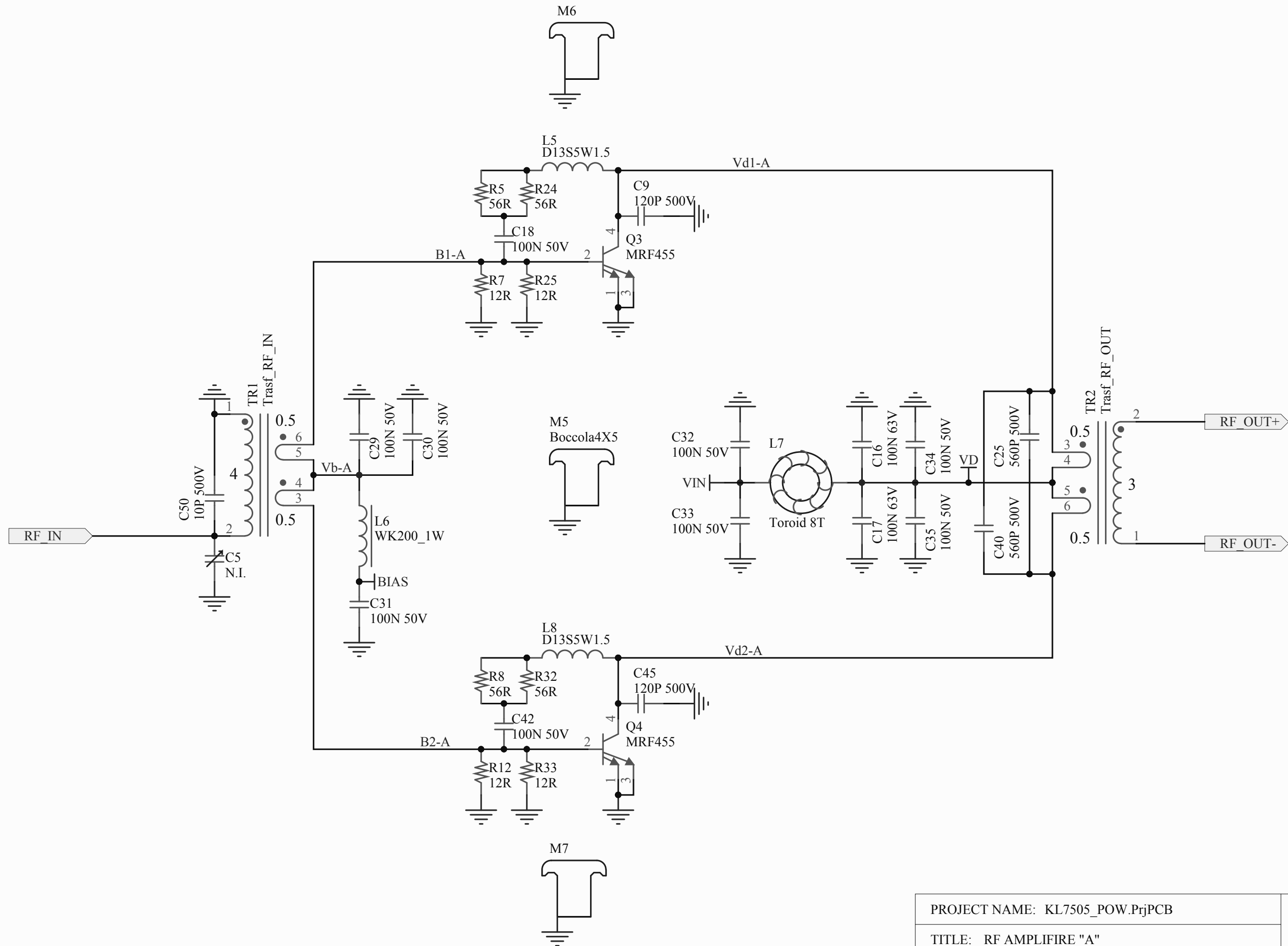


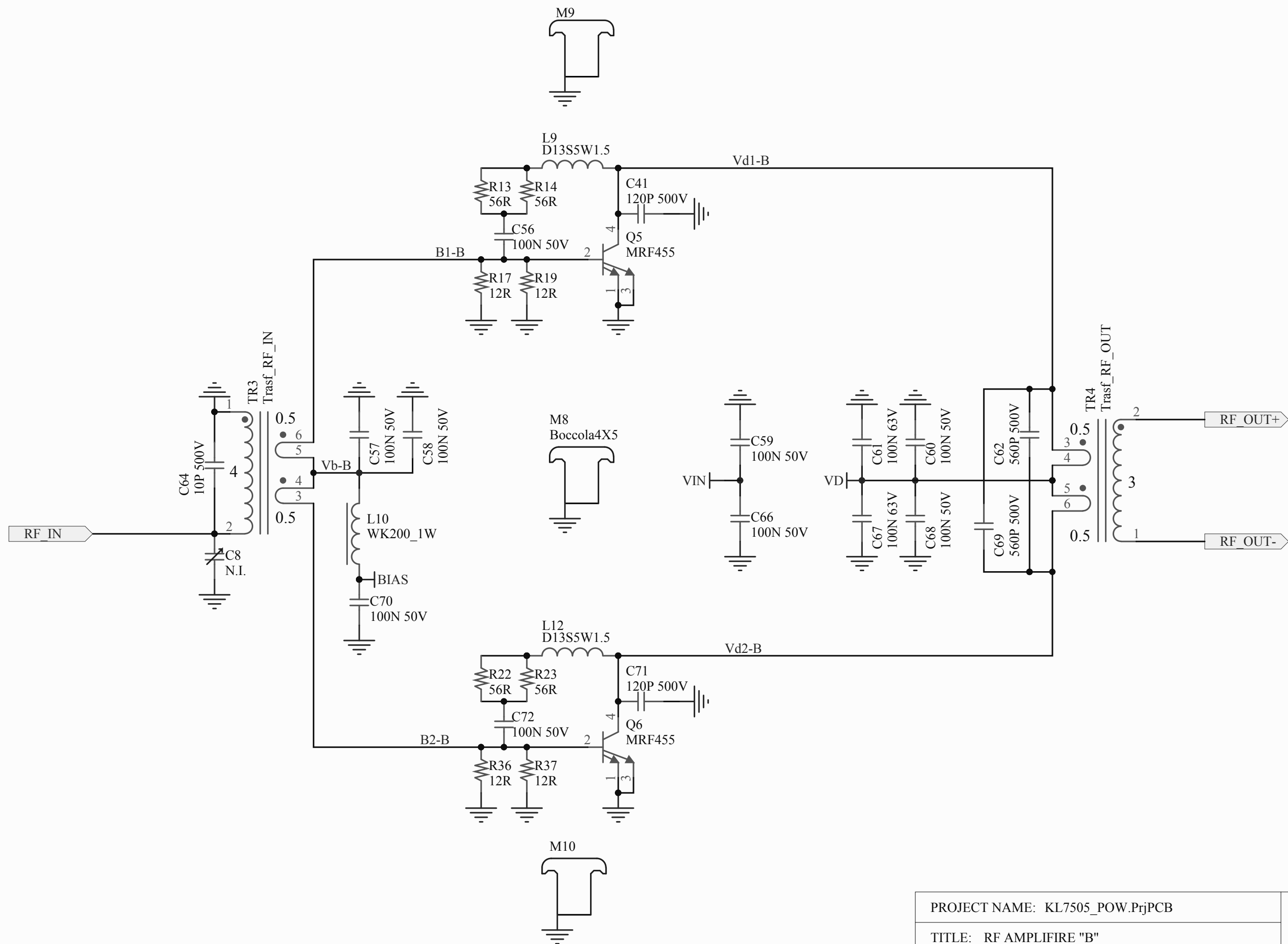
PROJECT NAME: KL7505_POW.PrjPCB		
TITLE: RF POWER BOARD		
DRAWN By: RM Italy		
DATE 12/05/2014	Rev. 1.0	PAGE 1 OF 3





PROJECT NAME: KL7505_POW.PrjPCB		
TITLE: RF AMPLIFIRE "A"		
DRAWN By: RM Italy		
DATE 12/05/2014	Rev. 1.0	PAGE 2 OF 3





PROJECT NAME: KL7505_POW.PrjPCB		
TITLE: RF AMPLIFIRE "B"		
DRAWN By: RM Italy		
DATE 12/05/2014	Rev. 1.0	PAGE 3 OF 3



PART LIST



KL7505_POW.PrjPCB

Comment	Description	Designator	Quantity
1000UF 50V	Cap Elect P7.5 D16 H25	C1, C44	2
100N 50V	Cap Cer N750 P200	C2, C3, C4, C6, C7, C10, C13, C18, C28, C29, C30, C31, C32, C33, C34, C35, C36, C37, C38, C39, C42, C43, C46, C47, C48, C49, C51, C52, C53, C54, C55, C56, C57, C58, C59, C60, C66, C68, C70, C72, C73	41
N.I.	Trimmer cilindrico cap 5-50pF	C5, C8, C26, C27	4
120P 500V	Cap Cer NP0 P200	C9, C21, C41, C45, C71	5
10P 500V	Cap Cer NP0 P200	C11, C15, C22, C50, C64	5
1N 50V	Cap Cer N750 P200	C12	1
N.I.	Cap Cer NP0 P200	C14, C77	2
100N 63V	Cap Poli R82 P200	C16, C17, C61, C67	4
33P 500V	Cap Cer NP0 P200	C19, C23, C76, C78, C79	5
27P 500V	Cap Cer NP0 P200	C20, C24	2
560P 500V	Cap Cer Mica P350	C25, C40, C62, C69	4
240P 500V	Cap Cer Mica P250	C63	1
N.I.	Cap Cer Mica P250	C65	1
1N5400	General Purpose Diode	D1, D2	2
1N4007	General Purpose Diode	D9, D10, D12, D13	4
CarFuse90°	Lamella Porta Fuse Auto 90°	J1	1
Conn_F_2P_50A	Conn Femmina 2 Poli 50A	J3	1
CONN_M	CONN_M_20P_10X2_Passo 2.54	J7	1
2P	Streep 2 POLI	J8	1
N.I.	Ind Aw Aria Diam 14, Spire6, DiamFilo1.5	L2	1
D14S6W1.5	Ind Aw Aria Diam 14, Spire6, DiamFilo1.5	L3, L4	2
D13S5W1.5	Ind Aw Aria Diam 13, Spire5, DiamFilo1.5	L5, L8, L9, L12	4
WK200_1W	Choke PTH WK200 1 FILO	L6, L10	2
Toroid 8T	Torroide 8 giri ->Lintz 120X0.18R	L7	1
Boccola4X5	Boccola 4X5 distanziale a saldare in ottone	M1, M2, M3, M4, M5, M6, M7, M8, M9, M10	10
2SD2012	Silicon NPN Triple Diffused Type	Q2	1
MRF455	30MHz NPN Pow Reansistor	Q3, Q4, Q5, Q6	4
150R	Ser PTH 1/4W	R1, R21	2
22R	Ser PTH 22R 5W MetalOx 5%	R2, R26, R34	3
56R	Ser PTH 56R 5W MetalOx 5%	R3, R5, R8, R13, R14, R22, R23, R24, R27, R32, R35	11
1K0	Ser PTH 1/4W	R4, R15	2
N.I.	Ser PTH 100R 5W MetalOx 5%	R6	1
12R	Ser PTH 12R 1/5W MetalOx 5%	R7, R12, R17, R19, R25, R33, R36, R37	8
1R	Ser PTH 1R 1/5W MetalOx 5%	R9, R10	2
18K	Ser PTH 1/4W	R16	1
8K2	Ser PTH 1/4W	R18	1
1K	Multiturn Trimmer	R20	1
470R	Ser PTH 470R 1/5W MetalOx 5%	R28, R29	2
180R	Ser PTH 180R 1/5W MetalOx 5%	R30, R31	2
100R	Ser PTH 100R 5W MetalOx 5%	R38	1
N.I.	Ser PTH 470R 1/5W MetalOx 5%	R40, R41	2
B12V_2S_8A-250V	Bobina 12V 2 Scambi da 8A 250V	RL1	1
B12V_2S_2A-125V	Bobina 12V 2 Scambi da 2A 125V	RL3, RL4, RL5	3
Trasf_RF_IN	Trasf_RF_OUT Z->1:4 Da Sbilanciato a Bilanciato	TR1, TR3	2
Trasf_RF_OUT	Trasf_RF_OUT Z->1:3 Da Bilanciato a Sbilanciato	TR2, TR4	2
Trasf_RF_IN	Trasf RF ANRA42 + Awolgimenti Cu smaltato	TR5	1
LM723	High precision voltage regulator	U1	1

