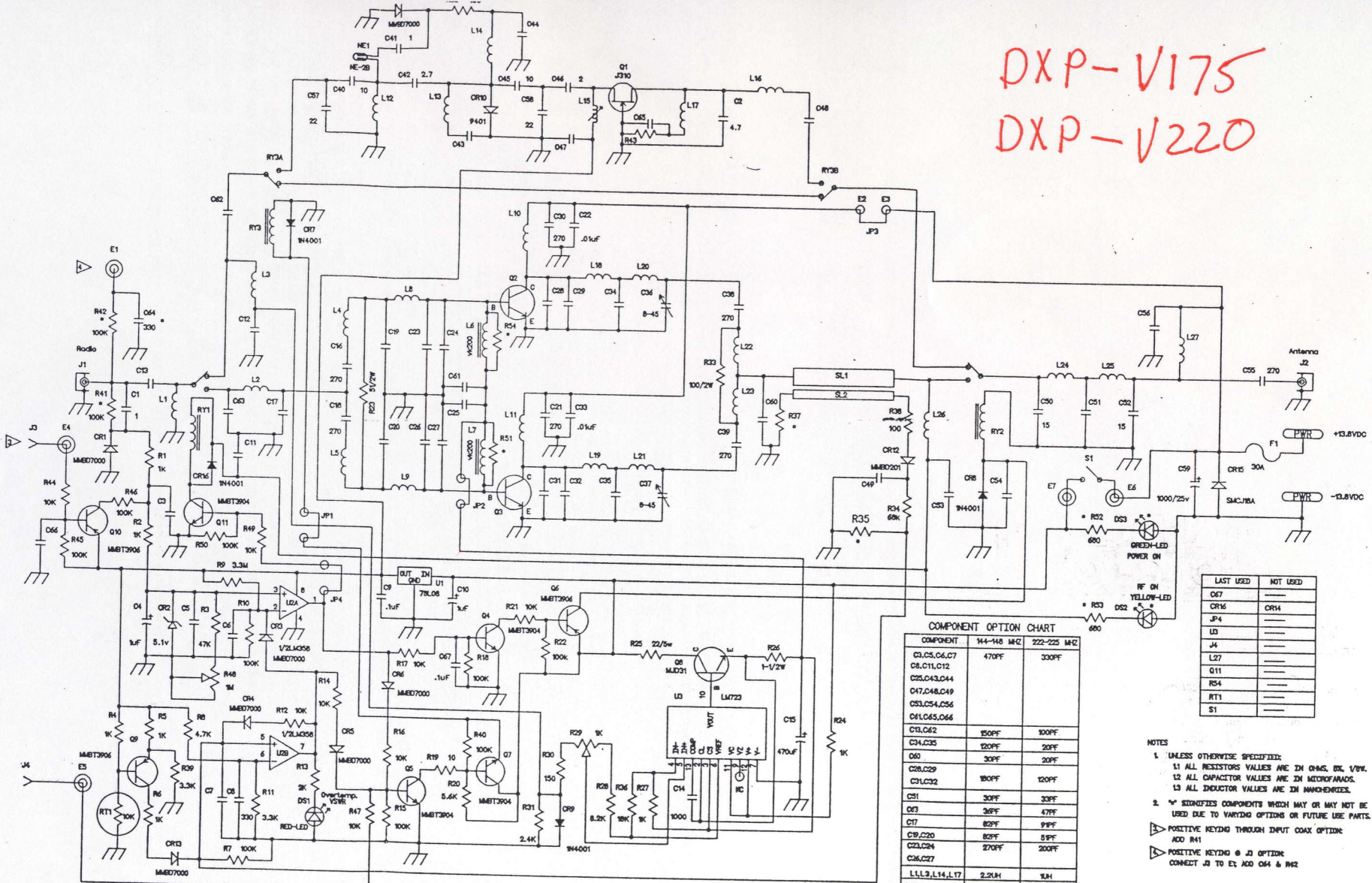


DXP-V175
DXP-V220



COMPONENT OPTION CHART

COMPONENT	144-148 MHz	222-225 MHz
C3,C5,C6,C7	470PF	300PF
C8,C11,C12	470PF	300PF
C25,C43,C44	100PF	20PF
C47,C48,C49	100PF	100PF
C53,C54,C56	100PF	100PF
C1,C62	150PF	100PF
C34,C35	150PF	20PF
C40	30PF	20PF
C28,C29	30PF	20PF
C1,C32	100PF	100PF
C51	30PF	30PF
C13	30PF	47PF
C17	80PF	9PF
C19,C20	80PF	5PF
C23,C24	270PF	200PF
C26,C27		
L1,L3,L14,L17	2.2UH	1UH
L16	99UH	53.5UH
L26,L27	2.2UH	1.0UH
R43	56 OHM	51 OHM
R51,R54	10 OHM/W	NOT USED

LAST USED	NOT USED
Q67	---
CR16	---
JP4	---
L3	---
J4	---
L27	---
Q11	---
R54	---
RT1	---
S1	---

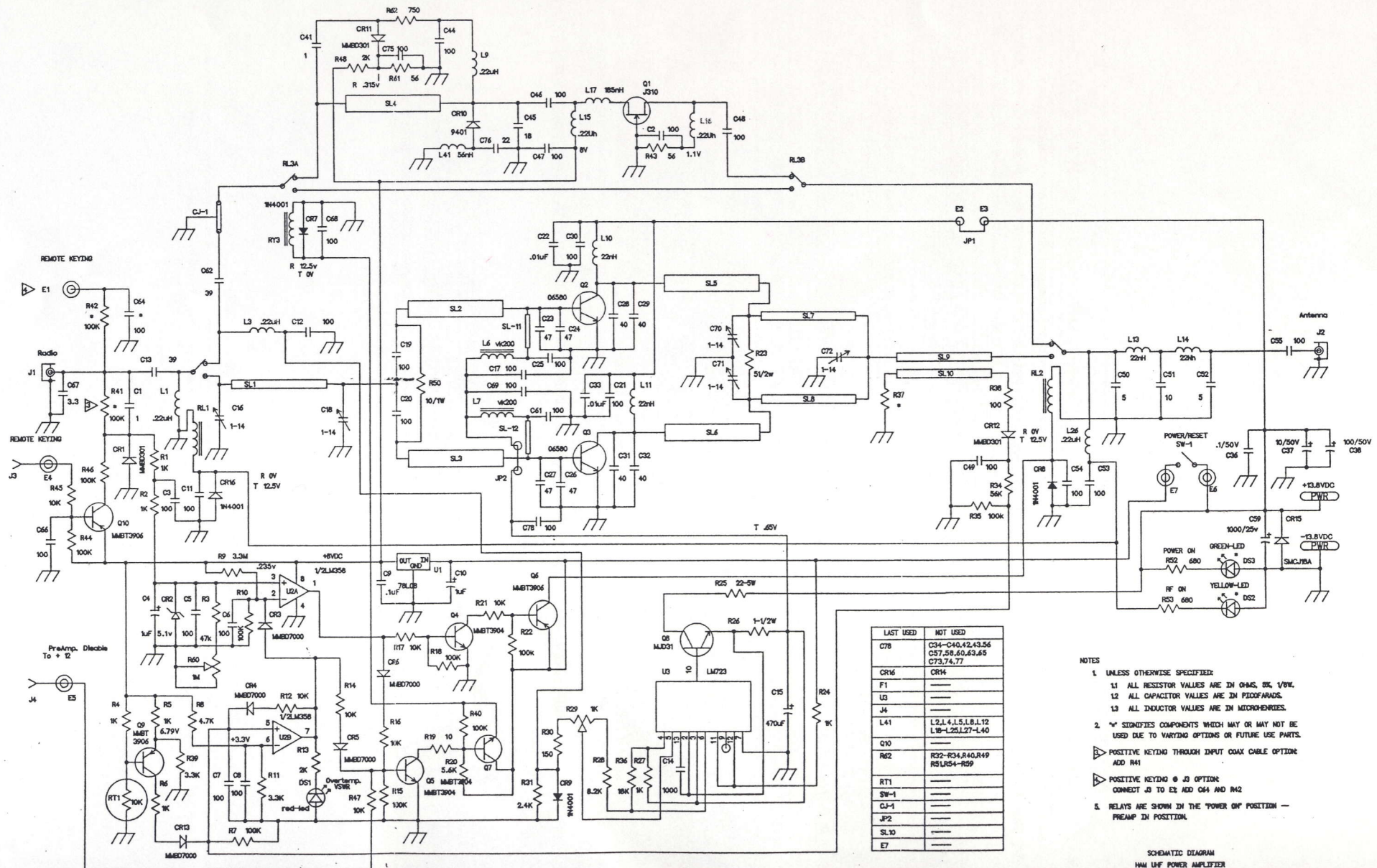
NOTES

- UNLESS OTHERWISE SPECIFIED:
 11 ALL RESISTOR VALUES ARE IN OHMS, BK, 1/W.
 12 ALL CAPACITOR VALUES ARE IN MICROFARADS.
 13 ALL INDUCTOR VALUES ARE IN MILLIHENRIES.
- * INDICATES COMPONENTS WHICH MAY OR MAY NOT BE USED DUE TO VARYING OPTIONS OR FUTURE USE PARTS.

▲ POSITIVE KEYING THROUGH INPUT COAX OPTION
 ADD R41

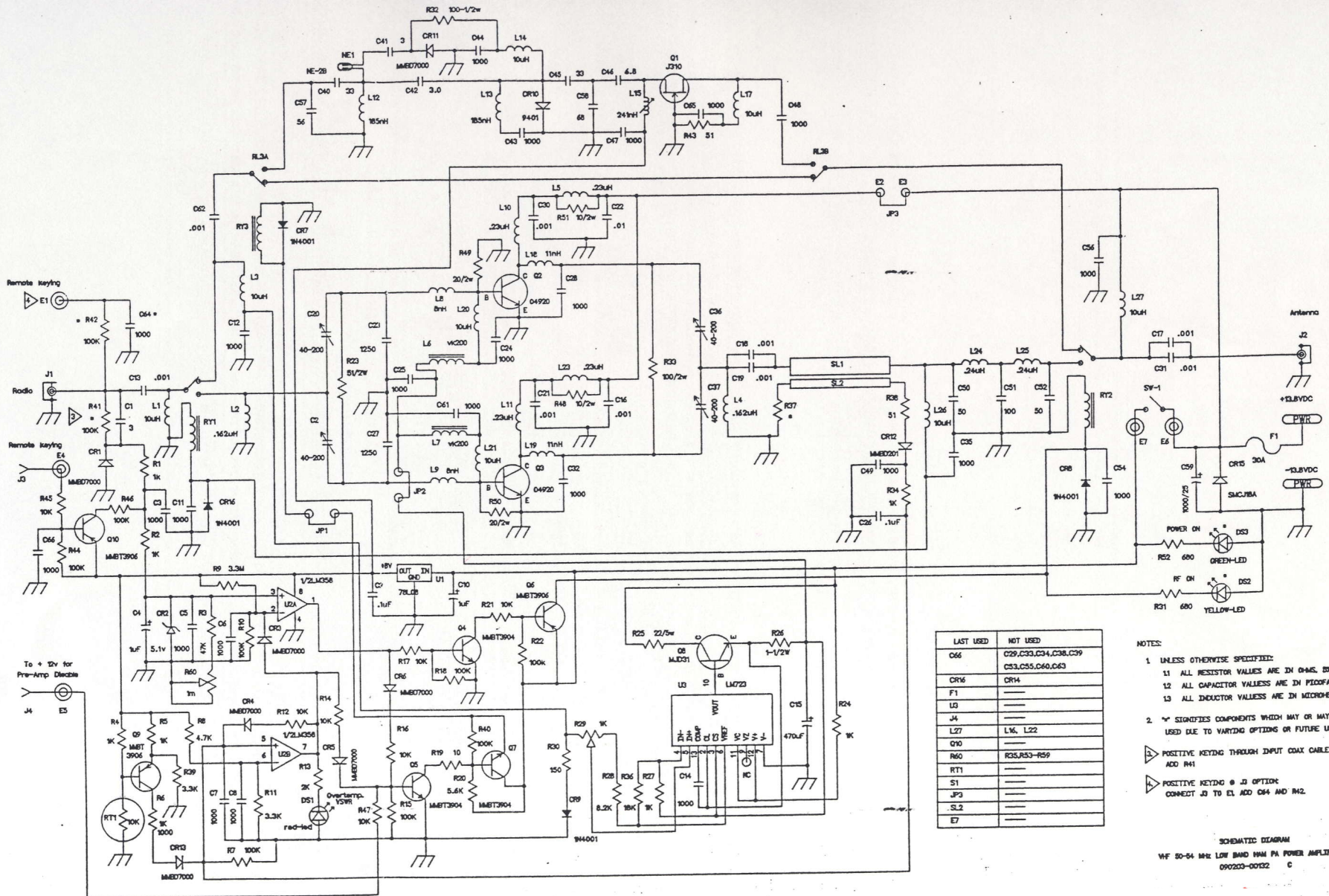
▲ POSITIVE KEYING @ J3 OPTION
 CONNECT J3 TO E1 ADD Q64 & R42

DXP-U150



LAST USED	NOT USED
C78	C34-C40,42,43,56 C57,58,60,63,65 C73,74,77
CR16	CR14
F1	---
L3	---
J4	---
L41	L2, L4, L5, L8, L12 L18-L25, L27-L40
Q10	---
R82	R32-R34, R40, R49 R51, R54-R59
RT1	---
SW-1	---
CJ-1	---
JP2	---
SL10	---
E7	---

- NOTES
- UNLESS OTHERWISE SPECIFIED:
 - ALL RESISTOR VALUES ARE IN OHMS, BK. 1/KΩ.
 - ALL CAPACITOR VALUES ARE IN PICOFARADS.
 - ALL INDUCTOR VALUES ARE IN MICROHENRIES.
 - * INDICATES COMPONENTS WHICH MAY OR MAY NOT BE USED DUE TO VARYING OPTIONS OR FUTURE USE PARTS.
- ▶ POSITIVE KEYING THROUGH INPUT COAX CABLE OPTION: ADD R41
 - ▶ POSITIVE KEYING @ J3 OPTION: CONNECT J3 TO E2; ADD C44 AND R42
5. RELAYS ARE SHOWN IN THE "POWER ON" POSITION - PREAMP IN POSITION.



LAST USED	NOT USED
C66	C29,C33,C34,C38,C39
CR16	CR14
F1	
L3	
J4	
L27	L16, L22
Q10	
R60	R35,R53-R59
RT1	
S1	
JP3	
SL2	
E7	

- NOTES:
- UNLESS OTHERWISE SPECIFIED:
 - ALL RESISTOR VALUES ARE IN OHMS, EX. 1/W.
 - ALL CAPACITOR VALUES ARE IN PICOFARADS.
 - ALL INDUCTOR VALUES ARE IN MICROHENRIES.
 - * S SIGNIFIES COMPONENTS WHICH MAY OR MAY NOT BE USED DUE TO VARYING OPTIONS OR FUTURE USE PARTS.
- POSITIVE KEYING THROUGH INPUT COAX CABLE OPTION: ADD R41
 POSITIVE KEYING @ J3 OPTION: CONNECT J3 TO E1. ADD C64 AND R42.

SCHEMATIC DIAGRAM
 HF 50-54 MHz LOW BAND PA POWER AMPLIFIER
 090203-00332 C

DXP -L180