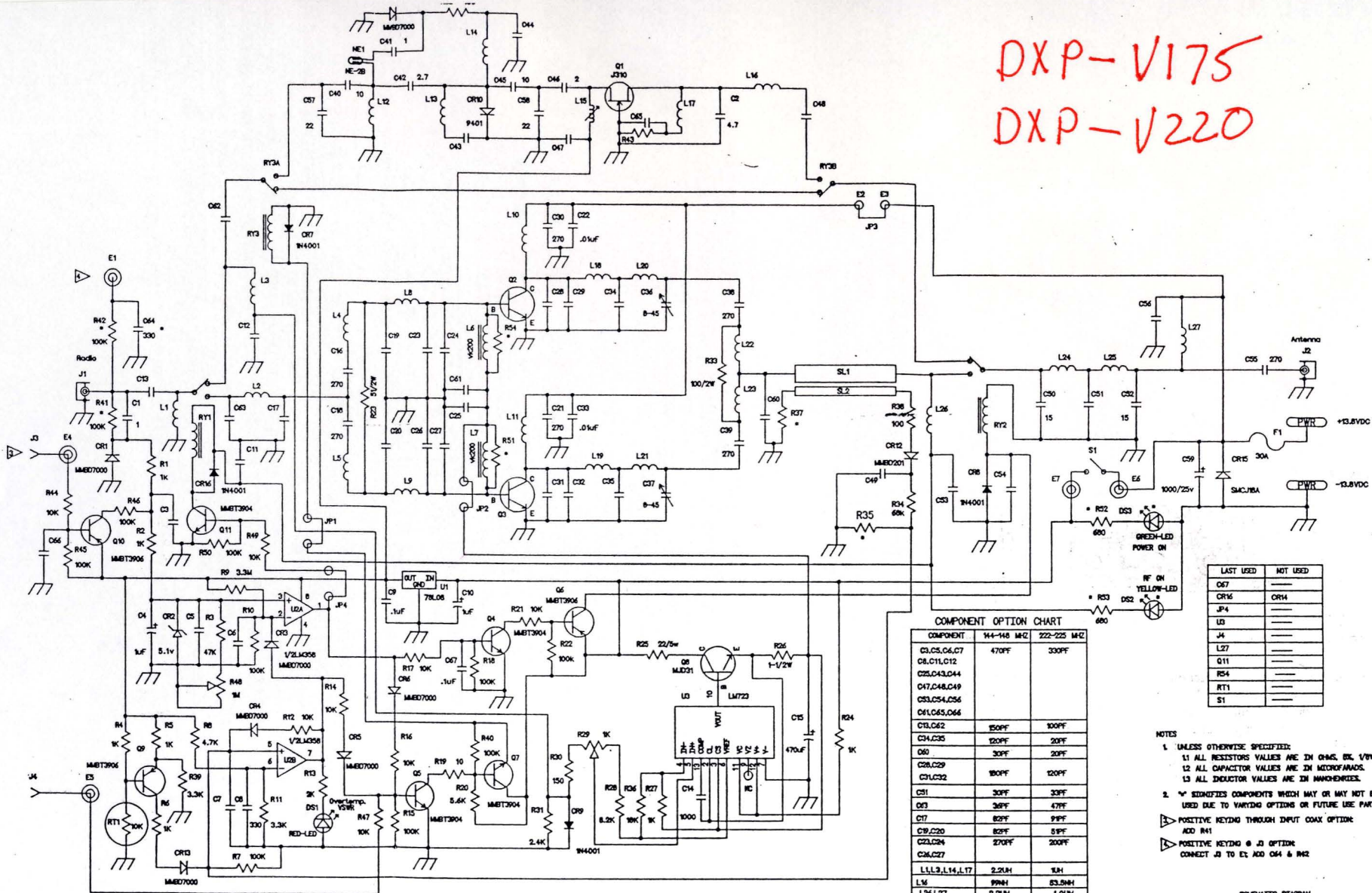


DXP-V175
DXP-V220



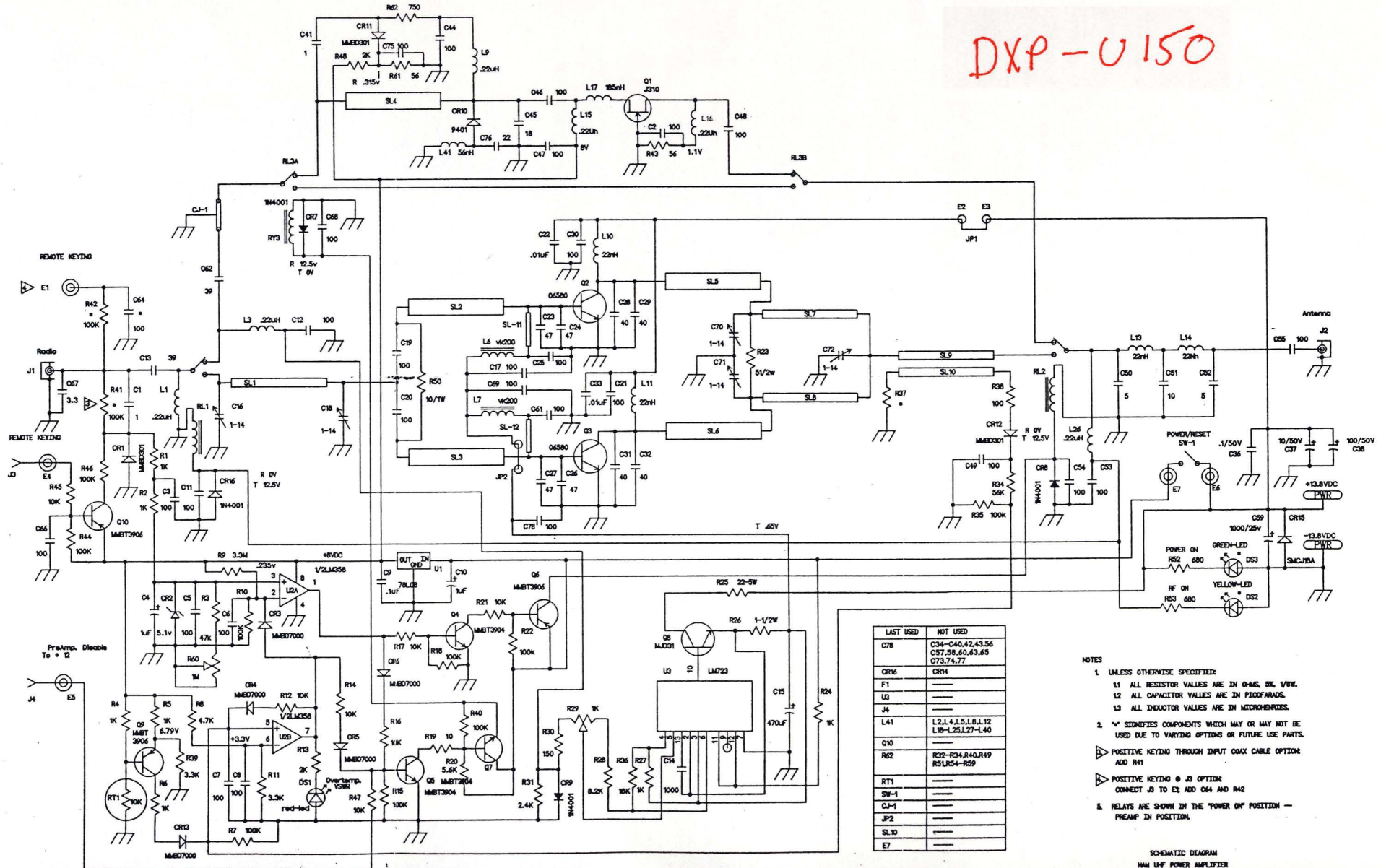
COMPONENT OPTION CHART

COMPONENT	144-148 MHz	222-225 MHz
C3,C5,C6,C7	470PF	330PF
C8,C11,C12	—	—
C25,C43,C44	—	—
C47,C48,C49	—	—
C53,C54,C56	—	—
C41,C45,C66	—	—
C13,C62	150PF	100PF
C14,C35	100PF	20PF
C60	30PF	20PF
C28,C29	100PF	120PF
C71,C32	—	—
C51	30PF	33PF
C63	20PF	47PF
C17	82PF	91PF
C19,C20	82PF	5PF
C23,C24	270PF	200PF
C26,C27	—	—
L1,L3,L14,L17	2.5UH	1.8H
L4	999H	83.59H
L26,L27	2.5UH	1.0UH
R43	56 OHM	01 OHM
R51,R54	10 OHM/1W	NOT USED

LAST USED	NOT USED
C67	—
CR16	CR14
JP4	—
L3	—
J4	—
L27	—
Q11	—
R54	—
RT1	—
S1	—

- NOTES
- UNLESS OTHERWISE SPECIFIED:
 11 ALL RESISTOR VALUES ARE IN OHMS, BK, 1/4W.
 12 ALL CAPACITOR VALUES ARE IN MICROFARADS.
 13 ALL INDUCTOR VALUES ARE IN MILLIHENRIES.
 - * V INDICATES COMPONENTS WHICH MAY OR MAY NOT BE USED DUE TO VARYING OPTIONS OR FUTURE USE PARTS.
- ▲ POSITIVE KEYING THROUGH INPUT COAX OPTION
ADD R41
- ▲ POSITIVE KEYING @ J1 OPTION
CONNECT J1 TO E1; ADD C64 & R42

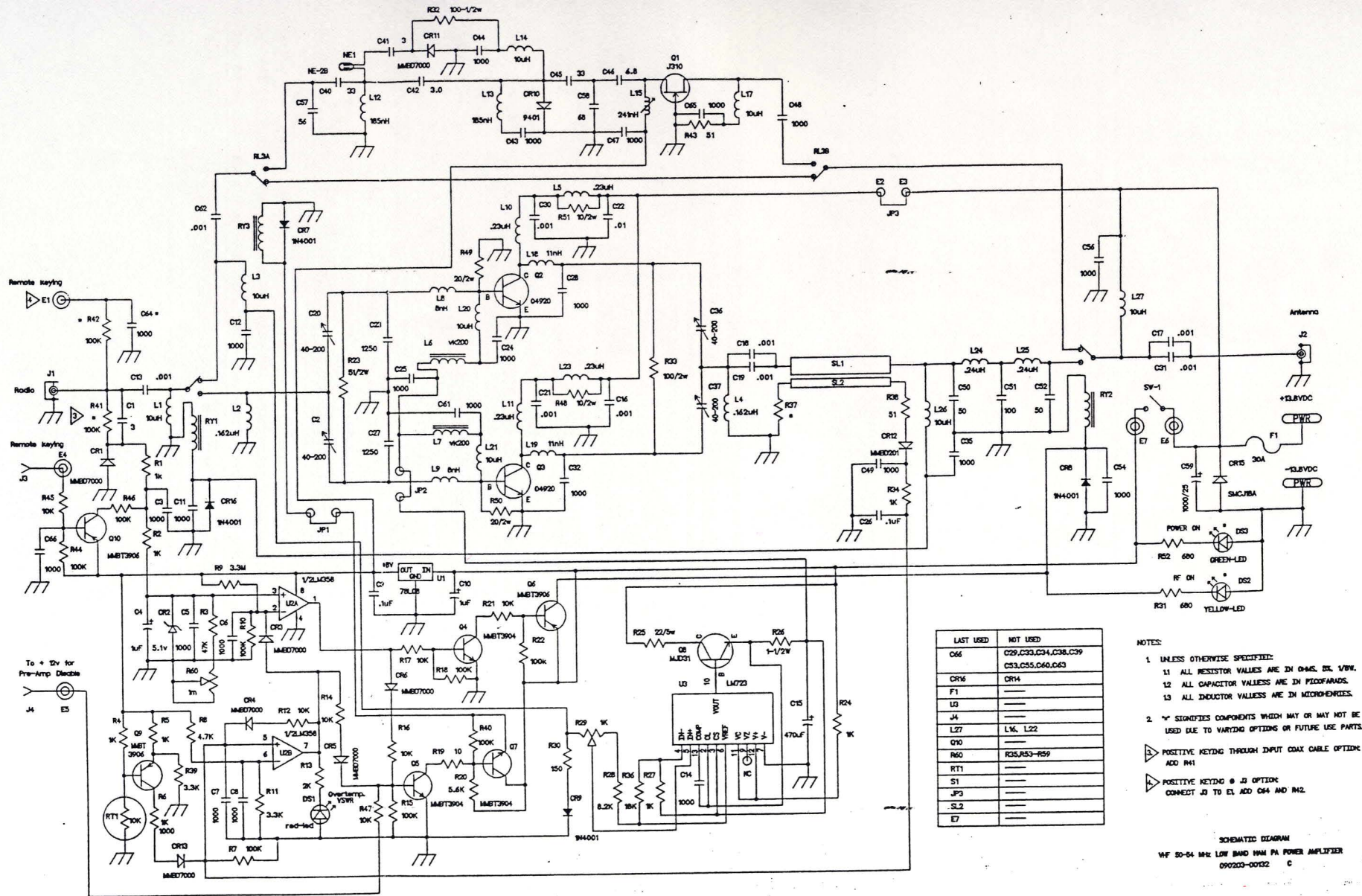
DXP-0150



LAST USED	NOT USED
C78	C34-C40,42,43,56
	C57,58,60,63,65
	C73,74,77
CR16	CR4
F1	---
L3	---
J4	---
L41	L2,1,4,1,5,1,8,1,12
	L10-L12,17-L40
Q10	---
R62	R32-R34,R40,R49
	R51,R54-R59
RT1	---
SW-1	---
CJ-1	---
JP2	---
SL10	---
E7	---

- NOTES
- UNLESS OTHERWISE SPECIFIED:
 - ALL RESISTOR VALUES ARE IN OHMS, 5K, 10K, 100K, 1M, 10M, 100M, 1K, 10K, 100K, 1M, 10M, 100M.
 - ALL CAPACITOR VALUES ARE IN PICOFARADS.
 - ALL INDUCTOR VALUES ARE IN MICROHENRES.
 - SIGNIFIES COMPONENTS WHICH MAY OR MAY NOT BE USED DUE TO VARYING OPTIONS OR FUTURE USE PARTS.
- ▷ POSITIVE KEYING THROUGH INPUT COAX CABLE OPTION - ADD R41
 ▷ POSITIVE KEYING @ J3 OPTION - CONNECT J3 TO E2, ADD C64 AND R42
 5. RELAYS ARE SHOWN IN THE POWER ON POSITION - PREAMP IN POSITION.

SCHEMATIC DIAGRAM
HAM LF POWER AMPLIFIER



LAST USED	NOT USED
C66	C29, C33, C34, C38, C39
CR16	CR14
F1	
L4	
J4	
L27	L16, L22
Q10	
R60	R25, R33-R39
RT1	
S1	
JP3	
SL2	
E7	

- NOTES:
- UNLESS OTHERWISE SPECIFIED:
 - ALL RESISTOR VALUES ARE IN OHMS, IN, K, OR M.
 - ALL CAPACITOR VALUES ARE IN PICOFARADS.
 - ALL INDUCTOR VALUES ARE IN MICROHENRIES.
 - * SIGNIFIES COMPONENTS WHICH MAY OR MAY NOT BE USED DUE TO VARYING OPTIONS OR FUTURE USE PARTS.
- ▷ POSITIVE KEYING THROUGH INPUT COAX CABLE OPTION ADD R41
 ▷ POSITIVE KEYING @ J2 OPTION CONNECT J2 TO E1 AND C64 AND R42.

SCHEMATIC DIAGRAM
 WF 50-54 MHz LOW BAND 144 MHz PA POWER AMPLIFIER
 090203-00022 C