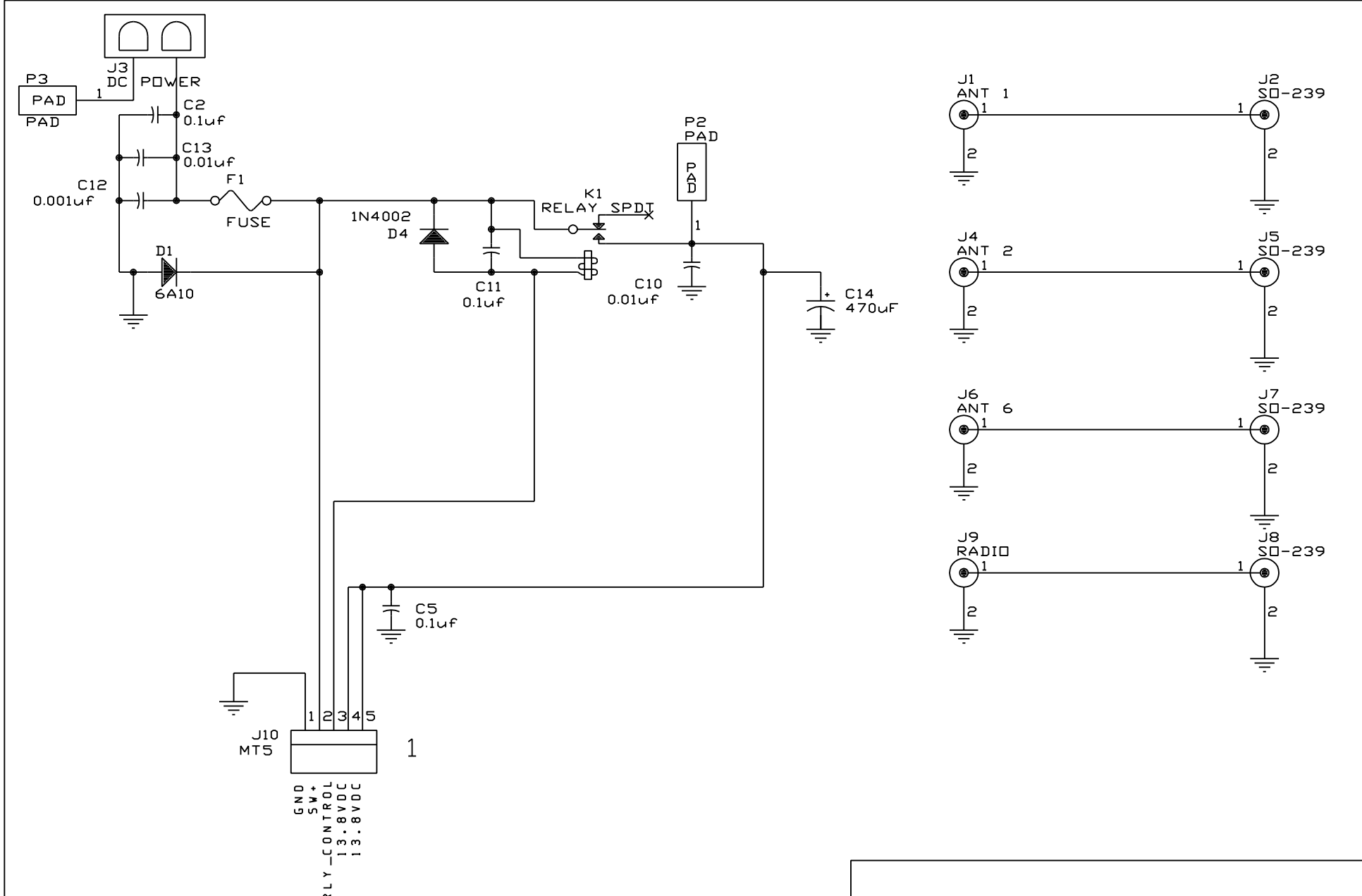
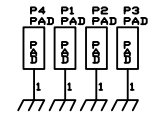
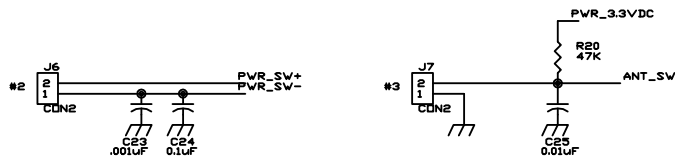
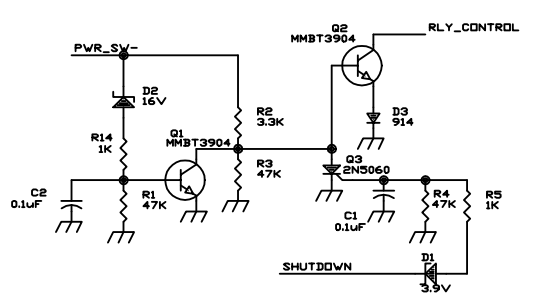
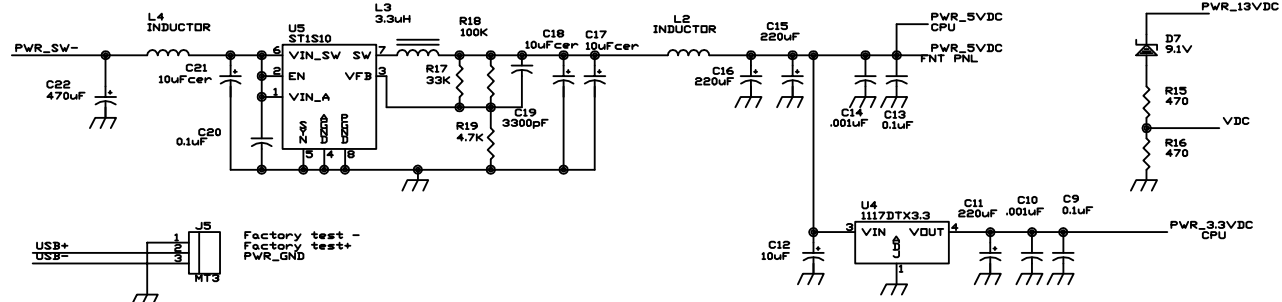
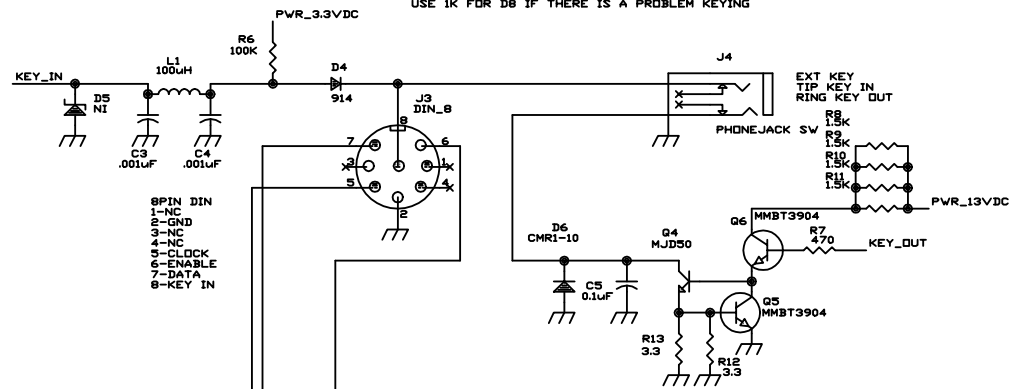
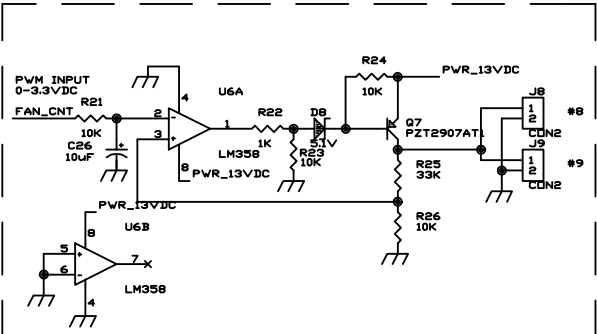
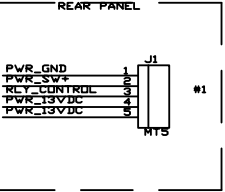
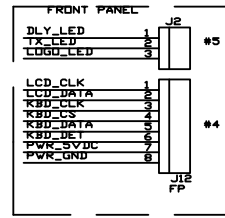
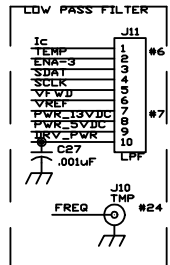
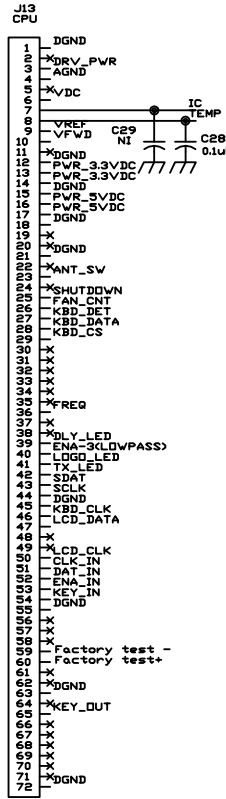


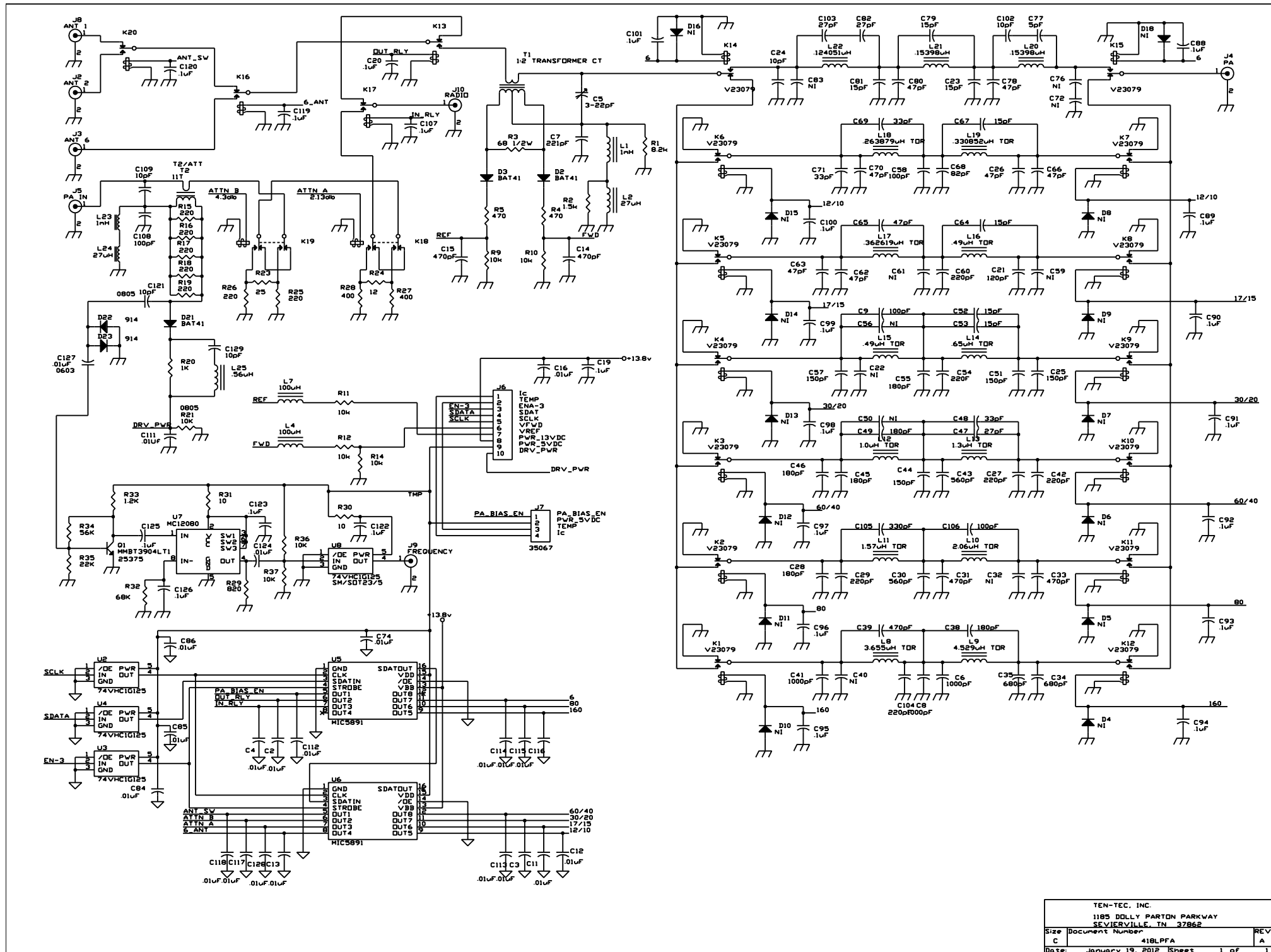
LABELED FOR 418	
TITLE: centralprocessingunit_reve	
Document Number:	REV:
Date: 10/22/2010 4:22:18 PM	Sheet: 1/1

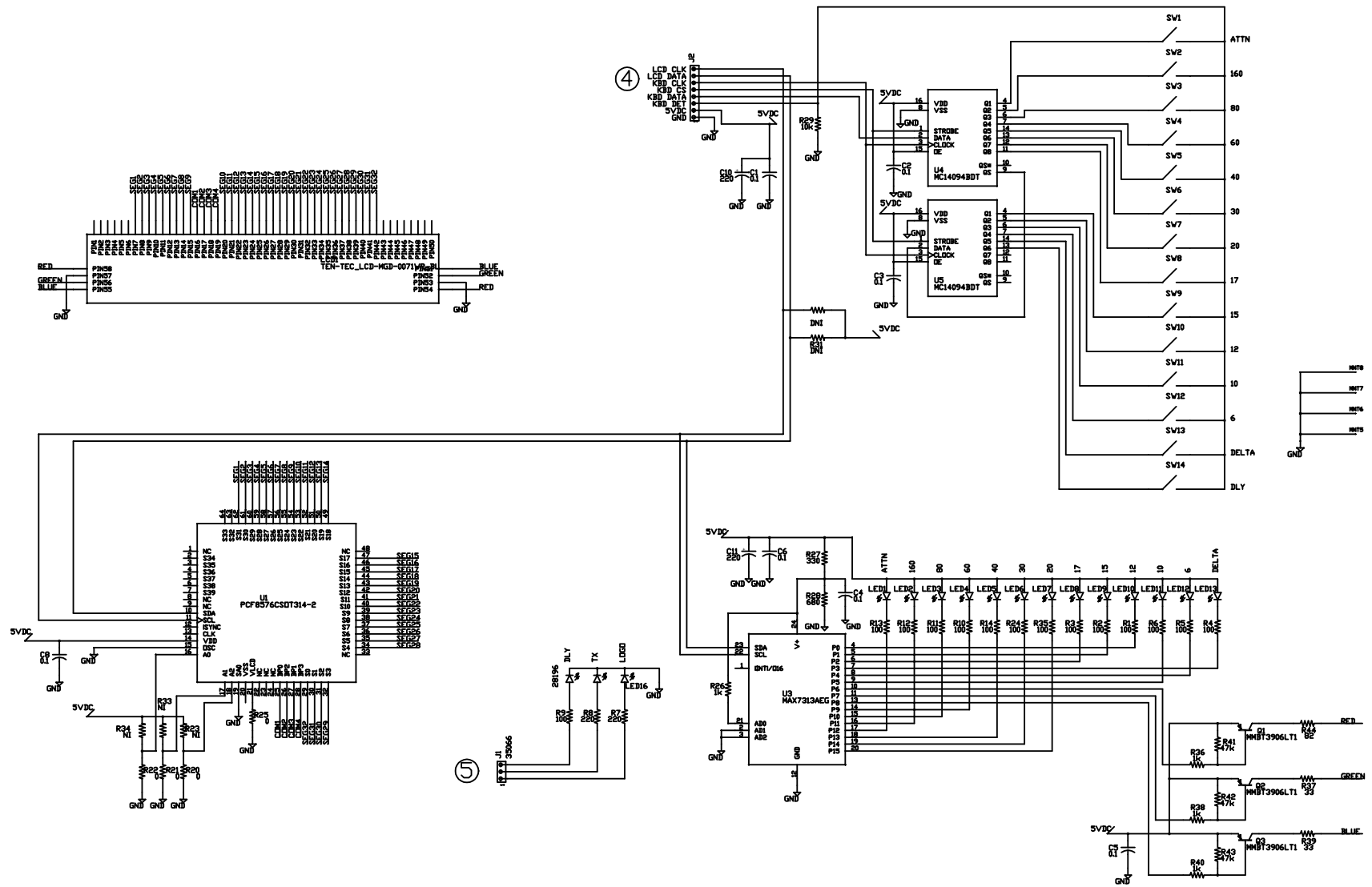


Title		
REAR PANEL PCB		
Size	Document Number	REV
A	78397	A
Date:	January 30, 2012	Sheet 1 of 1



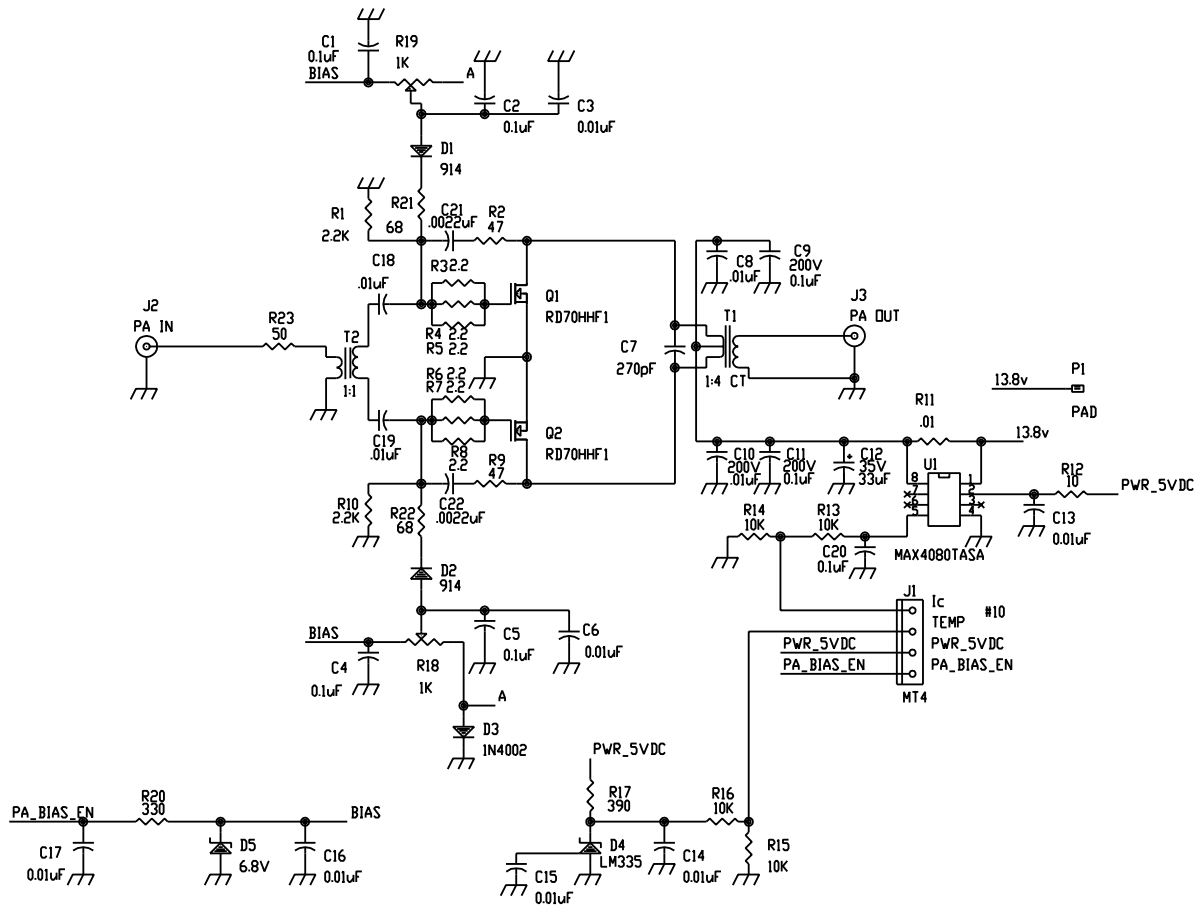
TEN-TEC		
Title	419 I/O	REV
Size	Document Number	A
Date	March 29, 2012	Sheet 1 of 1





Resistance in Ohms unless otherwise noted
Capacitance in uF unless otherwise noted

TITLE: 418_DISPLAY.	
Document Number: 82099	
Date: 1/18/2012 4:10:14 PM	Sheet: 1/1



TEN-TEC			
Title	418 POWER AMP		
Size	Document Number	REV	
A	82100	A	
Date:	May 22, 2012	Sheet	1 of 1