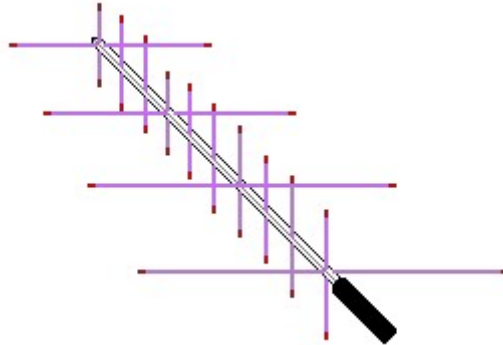




911 E. Fox Farm Rd. #2
Cheyenne, WY 82007

ArrowAntennas.com
Simply the Best

(307) 222-4712
info@arrowantennas.com



Arrow II Satellite Antenna

AO27 Up-link 145.580 Down-link 436.800

The Arrow II line of antennas has been engineered to provide maximum gain and efficiency in the smallest practical size & weight. **ONLY 28 oz.**

Aluminum **Arrow Shafts** are used for elements.

The 2 in-line gamma matches (not shown) are pre-assembled & pre-tuned. One connector for VHF and one for UHF. These are BNC only.

The boom is $\frac{3}{4}$ " square (with round corners) 63" long. Note the big black foam grip for easy holding. Slide the back of the black foam handle grip forward to uncover $\frac{1}{4}$ "-20 threaded tripod holes.

Boom & elements all have plastic tips for safety.

Guarantee

No hassle refund

If you are not completely satisfied with any ARROW ANTENNA Product it can be returned for a FULL refund less shipping and handling within 90 DAYS of purchase date.

SIMPLY THE BEST

Model

146/440-14 (All Suffixes)

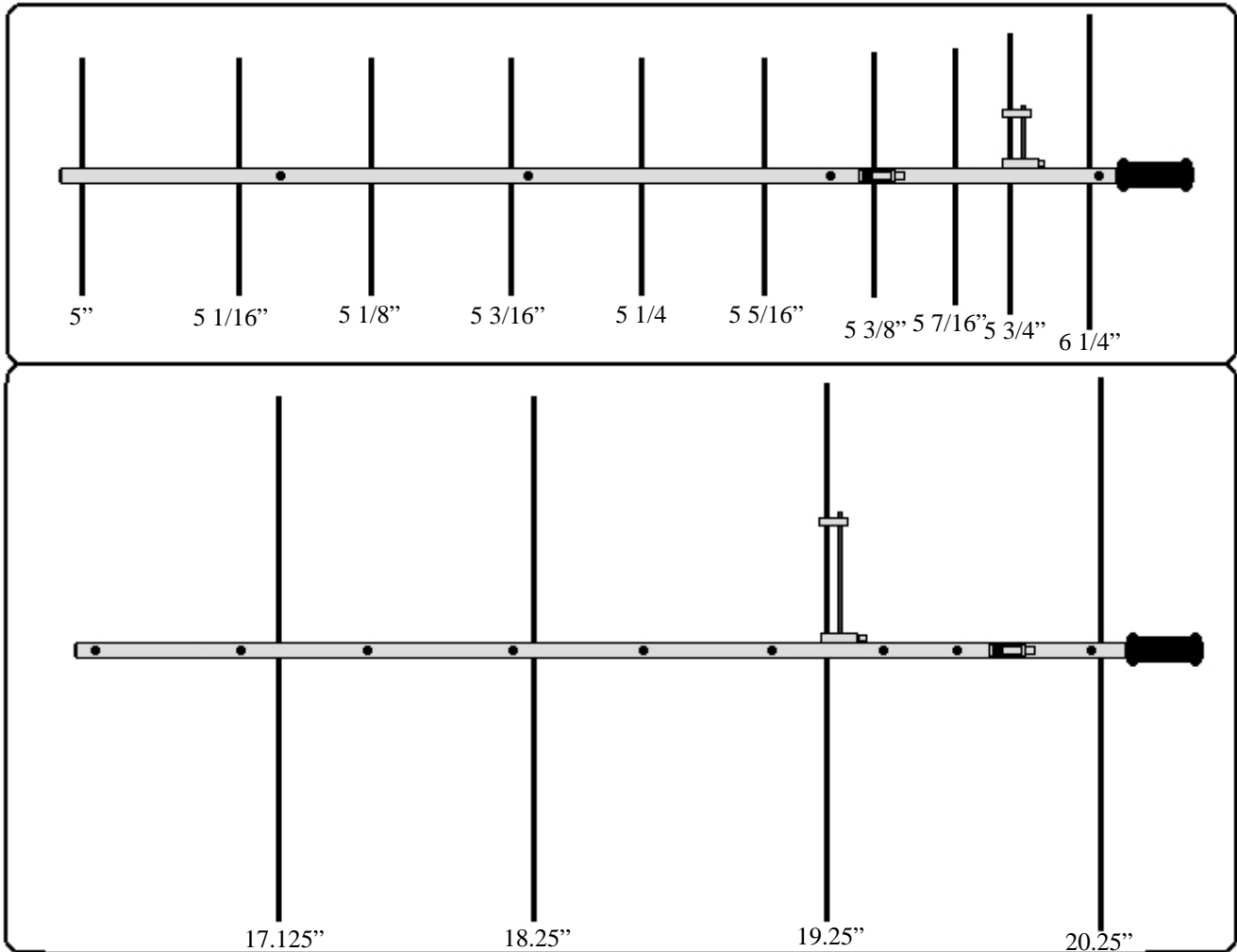
4 Elements for VHF
10 Elements for UHF

We don't invent antennas.
We simply build them better.

Part #

Model 146/440-14 (All Suffixes) Parts List

14644010	Boom - with End Caps and Foam Handle
146440BP	2 piece Boom - with End Caps and Foam Handle
AK 440 DE	437 Driven Element pair - with Gamma Match, End Caps, Inserts & Stud
AK 440 D8	8 th Director Element Pair - with End Caps, Inserts, & Stud
AK 440 D7	7 th Director Element Pair - with End Caps, Inserts, & Stud
AK 440 D6	6 th Director Element Pair - with End Caps, Inserts, & Stud
AK 440 D5	5 th Director Element Pair - with End Caps, Inserts, & Stud
AK 440 D4	4 th Director Element Pair - with End Caps, Inserts, & Stud
AK 440 D3	3 rd Director Element Pair - with End Caps, Inserts, & Stud
AK 440 D2	2 nd Director Element Pair - with End Caps, Inserts, & 2 1/4 Stud
AK 440 D1	1 st Director Element Pair - with End Caps, Inserts, & 2 1/4 Stud
AK 440 R	Reflector Element Pair - with End Caps, Inserts, & Stud
AK 146 DE	146 Driven Element Pair - with End Caps Inserts, & 2 1/2" Stud
AK 146 D1	1 st Director Element Pair - with End Caps, Inserts, & 2 1/4" Stud
AK 146 D2	2 nd Director Element Pair - with End Caps, Inserts, & 2 1/4" Stud
AK 146 R	Reflector Element Pair - with End Caps, Inserts, & 2 1/4 " Stud
2.250	2 1/4 " All Thread Stud for all Elements (2 for \$1.)
SC 9/32	Red End Caps For Elements (10 for \$1.)
FP 125	Black End Caps for the Boom (4 for \$1.)
3128 Black	Black Foam Handle Grip

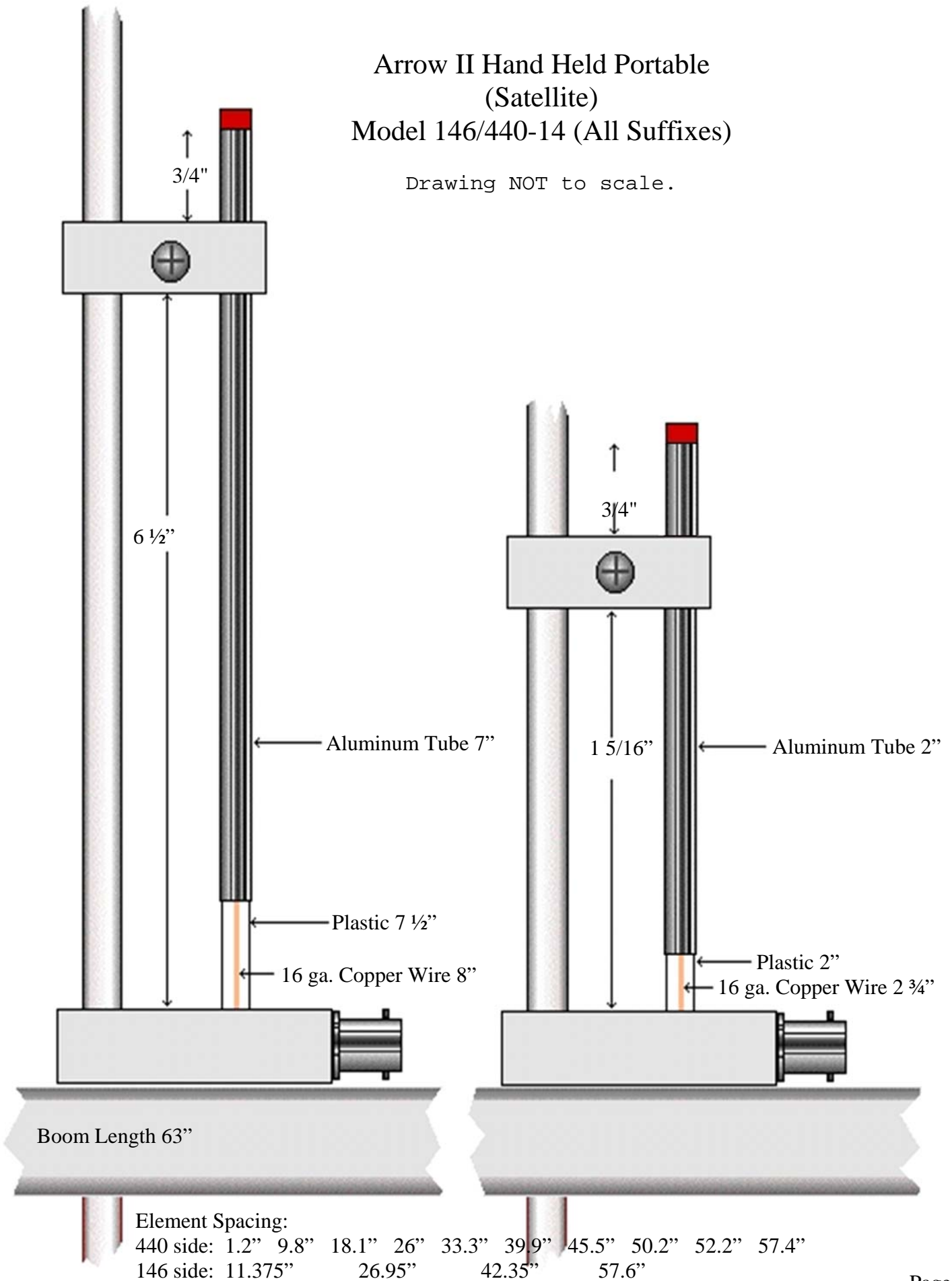


Assembly Instructions

Attach the elements to the boom as shown above by screwing the elements together through holes in the boom. Attach feed lines to the BNC connectors. That's it. The antenna is pre-tuned and ready to go.

Arrow II Hand Held Portable
 (Satellite)
 Model 146/440-14 (All Suffixes)

Drawing NOT to scale.



← Arrow Antenna →

911 E. Fox Farm Rd. #2
Cheyenne, WY 82007

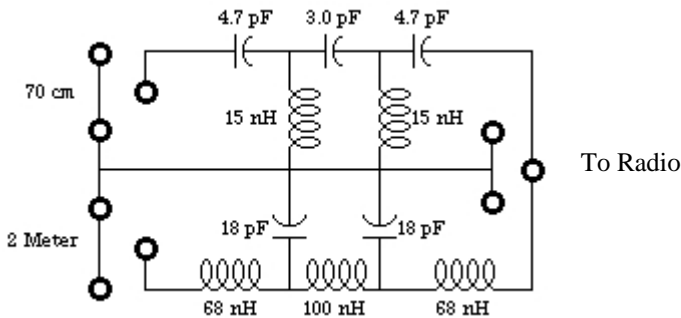
ArrowAntennas.com
Simply the Best

(307) 222-4712
info@arrowantennas.com

Model 10W (Low Power)

When ordered together, duplexer comes installed in the boom.

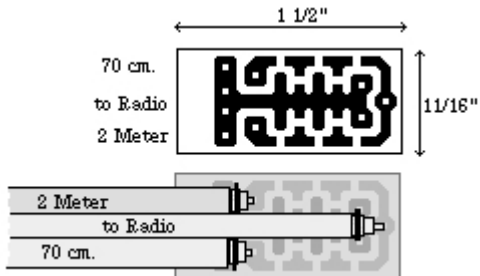
Duplexer for 146/437-10 & 146/440-10



All surface mount components.

Maximum Power is 10 Watts.

Duplexer fits inside the boom. Coax is routed under Foam Grip.



Guarantee

No hassle refund

If you are not completely satisfied with any ARROW ANTENNA Product it can be returned for a FULL refund less shipping and handling within 90 DAYS of purchase date.

SIMPLY THE BEST

Installation:

1. Remove the foam grip and the plastic end cap from the boom.
2. Slide the Duplexer in the end of the boom at an angle. Reseat new plastic end cap.
3. Using your finger, apply some corn starch to the inside of the foam grip and to the antenna cables and boom.
4. Slide the foam grip over the coax cables and boom as shown above.
5. Blow the corn starch off with an air can or compressed air.

ASSEMBLY CHECKLIST FOR OUR SHIPPING DEPARTMENT.

Circle Antenna Being Assembled:

146/440-14 146/440-14BP 146/440-14WBP

146/440-14W

Solid Boom Split Boom Duplexer installed to match driven elements.

14 element holes

Hole are clear

4 tripod holes - threaded

End Caps

Foam Handle Grip

2 @ 20 1/4" elements

1 @ 19 1/4" driven element.

1 @ 19 1/4" non-driven element

2 @ 18 1/4" elements

2 @ 17 1/8" elements

4 studs

2 @ 5.02" elements paired

2 @ 5.06" elements paired

2 @ 5.12" elements paired

2 @ 5.18" elements paired

2 @ 5.22" elements paired

2 @ 5.3" elements paired

2 @ 5.35" elements paired

2 @ 5.4" elements paired

1 @ 5.73" driven element paired with 1 @ 5.73" non-driven element

2 @ 6.22" elements paired