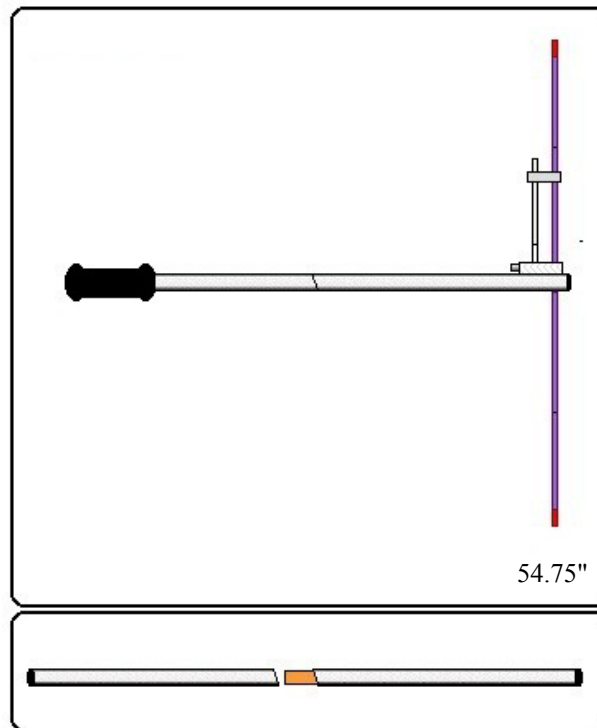


← Arrow Antenna →

911 E. Fox Farm Rd. #2
Cheyenne, WY 82007

ArrowAntennas.com
Simply the Best

(307) 222-4712
info@arrowantennas.com



2 Piece Boom

The Arrow II line of antennas has been engineered to provide maximum gain and efficiency in the smallest practical size & weight.

Aluminum **Arrow Shafts** are used for elements.

The in-line gamma match is pre-assembled & pre-tuned. BNC connector only.

The boom is $\frac{3}{4}$ " square (with round corners) 60" long.

Boom & elements all have plastic tips for safety.

Guarantee

No hassle refund

If you are not completely satisfied with any ARROW ANTENNA Product it can be returned for a FULL refund less shipping and handling within 90 DAYS of purchase date.

SIMPLY THE BEST

Model

52-1BP

Dipole for the 6 meter band.

We don't invent antennas.
We simply build them better.

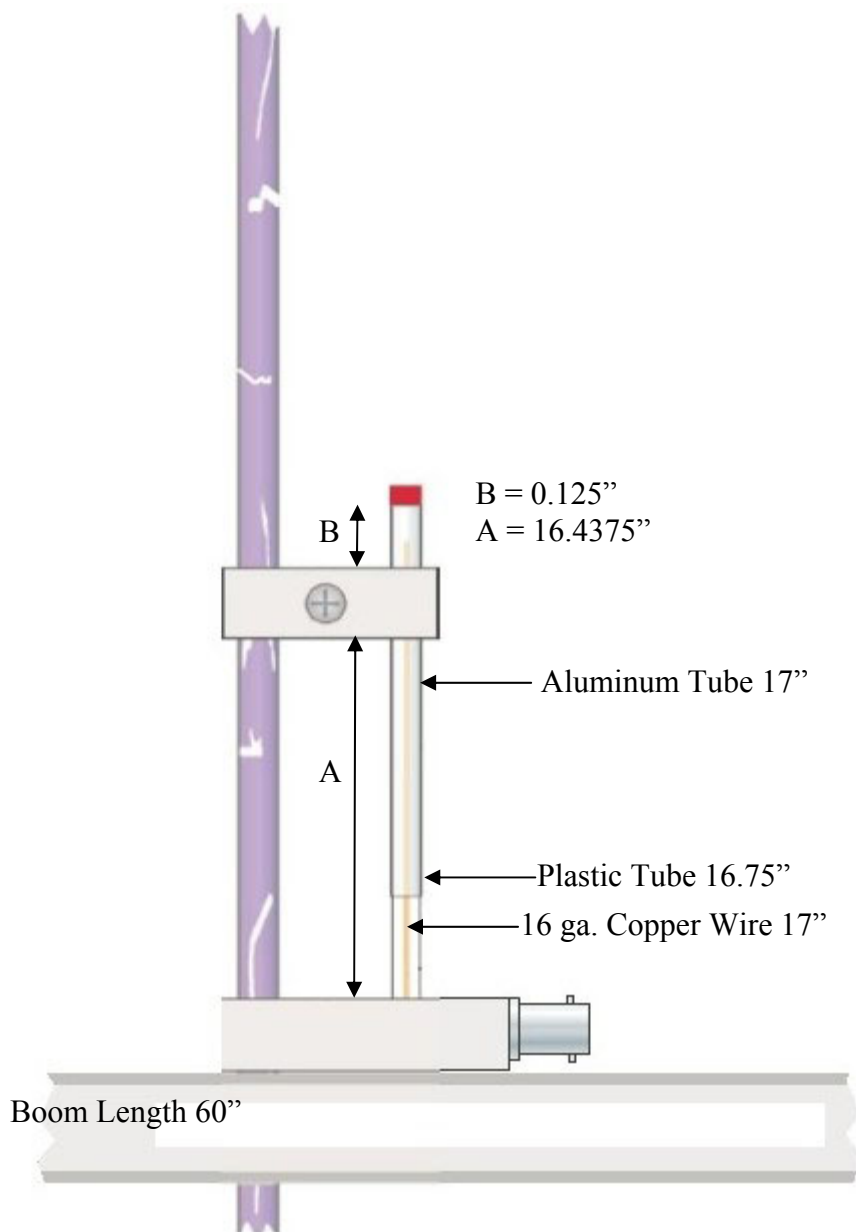
Part #	Price
52 01BPEX	\$29.00
52 19.250	\$25.00
1.5	\$ 1.00
2.25	\$ 1.00
SC 9/32	\$ 1.00
FP 125	\$ 1.00

Model 52-1BP Parts List

Two Piece Boom 3/4" X 68"
 52 Driven Element Pair - with End Caps Inserts, & 2 1/2" Stud (19 1/4 ")
 1.5" All Thread Stud for all Elements (2 for \$1.)
 2.25" All Thread Stud for all Elements (2 for \$1.)
 Red End Caps For Elements (10 for \$1.)
 Black End Caps for the Boom (4 for \$1.)
 (Please add \$8.00 S & H per order. Thank you.)

Assembly Instructions

Assemble the boom. Attach the element to the boom as shown above by screwing the elements together through holes in the boom. Attach feed lines to the BNC connectors. That's it. The antenna is pre-tuned and ready to go.



ASSEMBLY CHECKLIST FOR OUR SHIPPING DEPARTMENT.

Circle Antenna Being Assembled:

52-1BP

___ Split Boom

___ 1 element hole

___ Hole is clear

___ 4 tripod holes - threaded

___ End Caps

___ Foam Handle Grip

___ 1 @ 30" driven element paired with 1 @ 30" non-driven element

___ 2 @ 24.75" element extensions

___ 1 @ 2.25" treaded 8-32 stud.

___ 2 @ 1.5" treaded 8-32 studs.