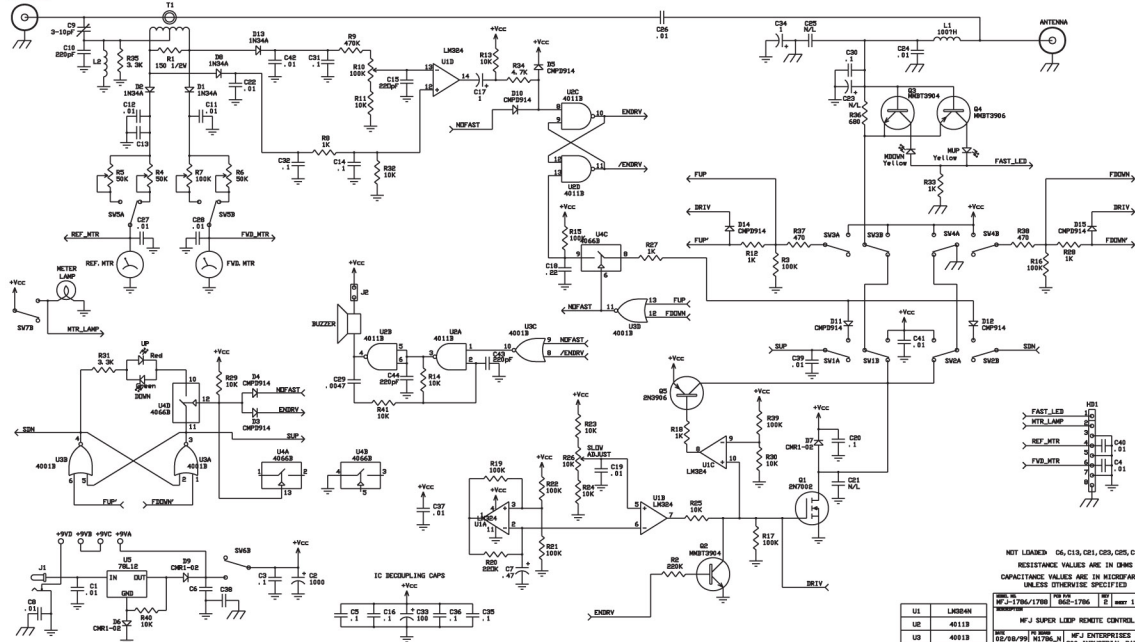


TRANSMITTER



NOT LOADED C6, C13, C21, C23, C25, C38  
 RESISTANCE VALUES ARE IN OHMS  
 CAPACITANCE VALUES ARE IN MICROFARADS  
 UNLESS OTHERWISE SPECIFIED

IC	U1	LM384N
	U2	40113
	U3	40113
	U4	40663
REL. NO.	NFJ-1786/1788	REV. 1 or 1
DESIGNER	662-1786	
NFJ SUPER LEEP REMOTE CONTROL		
NFJ ENTERPRISES INC.		
300 INDUSTRIAL PARK RD		
STARBUCKLE, MS 39759		