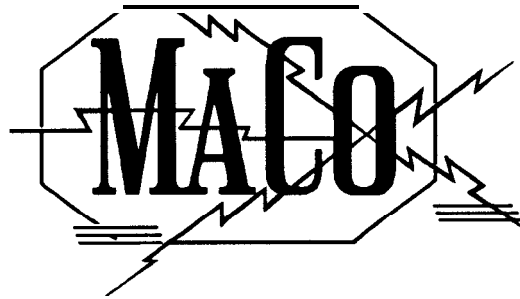
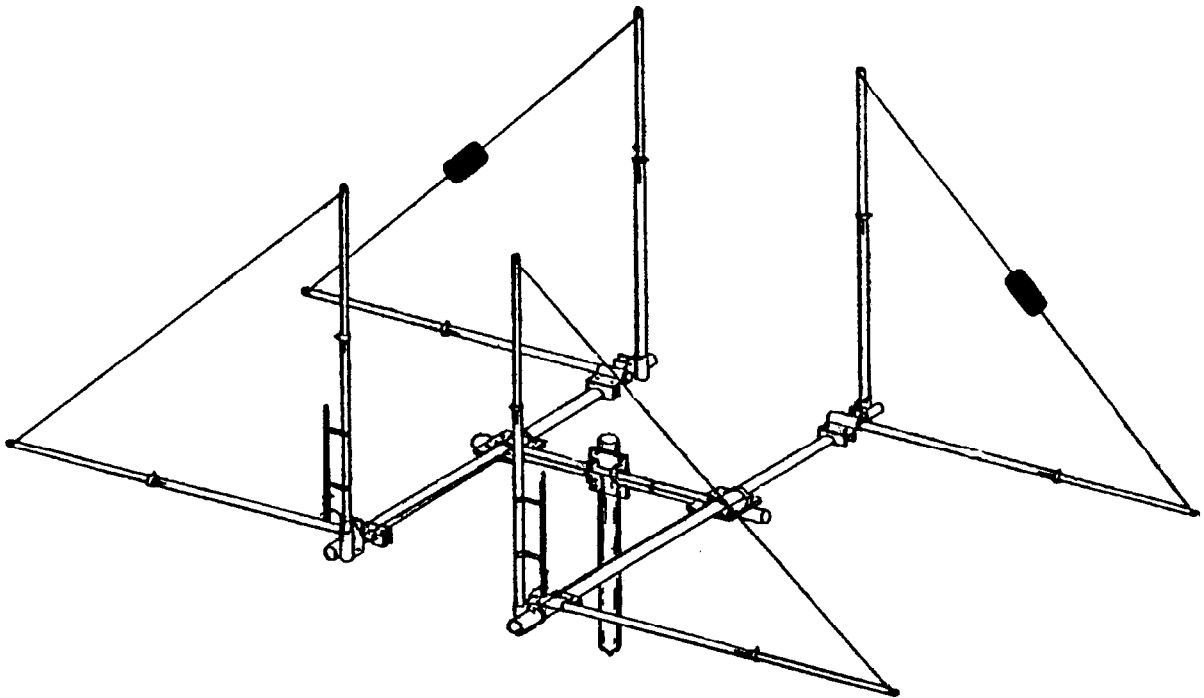


ASSEMBLY INSTRUCTIONS



V-QUAD STACKING KIT



VQ2SK

Maco Antennas - a Division of Charles Electronics, LLC
302 S. East St. Mount Carroll, IL 61053
815-244-3500

VQ2SK

PARTS LIST

<u>PART</u>	<u>QTY</u>	<u>OD</u>	<u>SIZE</u>	<u>LENGTH</u>	<u>DESCRIPTION</u>	<u>CHECKLIST</u>
T60P	2	1 ½"	.050	60"	ALUMINUM TUBING	_____
T61	1	1.400"	.050	24"	BOOM SPLICE SWAGED TO 1.400	_____
WH2	1			18'	CO PHASE HARNESS	_____
P01	1		¼"x5"	5"	BOOM TO MAST PLATE	_____

HARDWARE BAG

U02	4	1 ½"			PLATED U-BOLTS	_____
S02	4	1 ½"			PLATED SADDLES	_____
N03	8	5/16"			LOCK NUTS	_____
	1				INSTRUCTION SHEET	_____
	1				WARRANTY SHEET	_____

WHEN ORDERING REPLACEMENT PARTS, ALWAYS GIVE THE PART NUMBER AND DESCRIPTION.

MACO ANTENNAS
A DIVISION OF CHARLES ELECTRONICS, LLC
302 S. EAST ST.
MT. CARROLL, IL 61053
815-244-3500 (phone)
815-244-3501 (fax)
www.macoantennas.net

PLEASE NOTE: In an effort to keep the price down on Maco Antennas, we elected not to remove all burrs and rough edges. We are aware that this needs to be done. We suggest that you use a file and sandpaper to assure the parts slip together easily.

Rev 05/2011

VQ2SK

ASSEMBLY INSTRUCTIONS

FIGURE 1

Slide the swaged end of 1 1/2" O.D. tubing into one end of the other 1 1/2" O.D. section. Adjust for a total boom length of 10 feet.

FIGURE 2

Center the plate on the coupled sections and attach with the 1 1/2" U-bolts and saddles and 5/16" lockwashers and hex nuts. Avoid over-tightening the U-bolts in order to not crush and weaken the boom.

FIGURE 3

On one of the V-Quads, the gamma match will have to be moved across to it's partner element. Reassemble that gamma match so that both gamma matches will be in the vertical position, as shown.

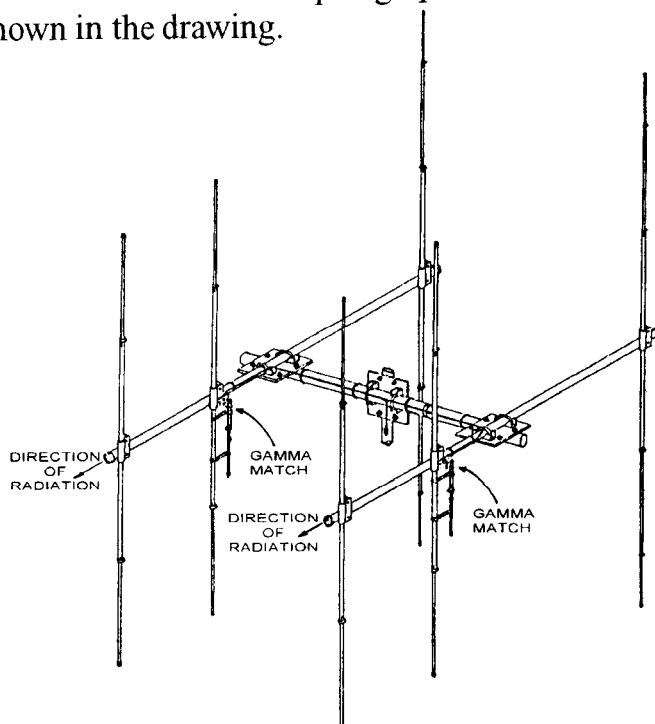
Install both V-Quads on the stacking boom as shown in the drawing.

Connect the two PL-259's to the two SO-239's at the gamma matches, and tape the coax. harness to the boom, as shown in Fig. 2.

Any length of RG-8 or RG-58 coax. cable may be used between the antenna phasing harness and the transmitter. For the best all around performance mount the VQ2 antennas in the vertical and horizontal position as shown in Fig. 3. Also, the gamma matches must be in the vertical position as shown on the drawing.

M103C STACKING

A pair of M103C's may be stacked by using the VQ2 Stacking Kit. Simply follow the assembly instructions given for the VQ2 Stacking Kit and disregard the first two paragraphs of the step labeled "Fig. 3". Continue with the paragraph "Connect the two PL-259's -----". Orient the gamma match as shown in the drawing.



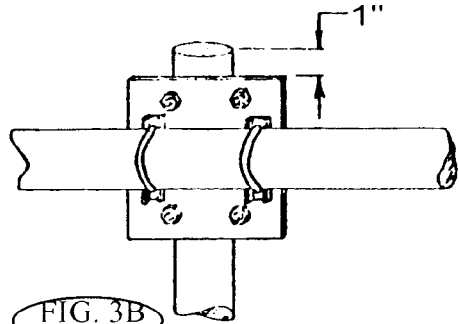


FIG. 3B

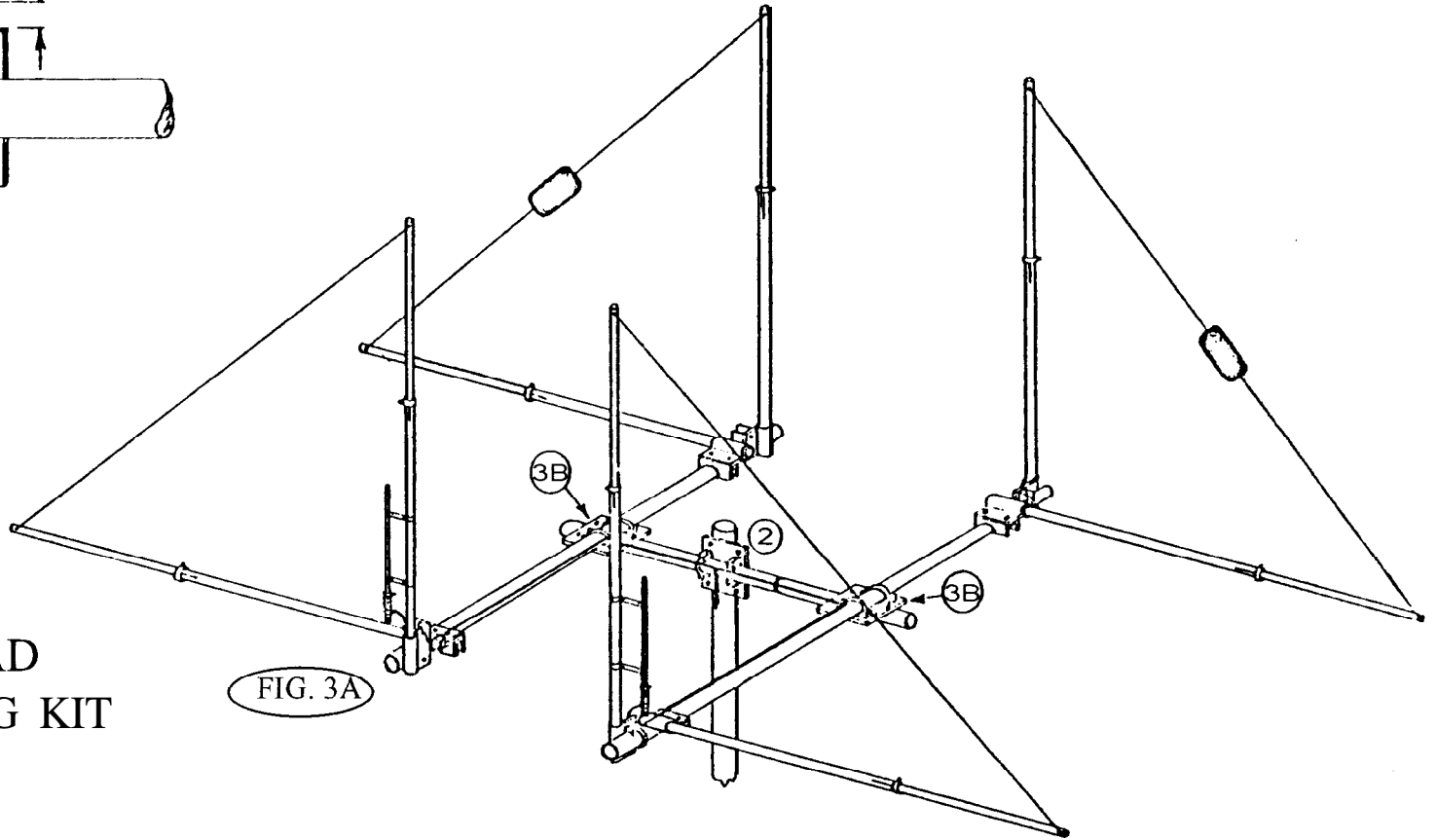
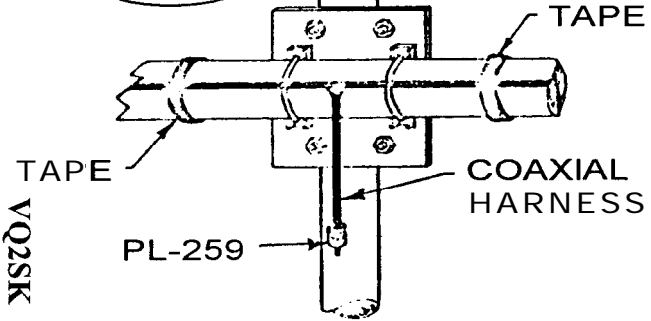


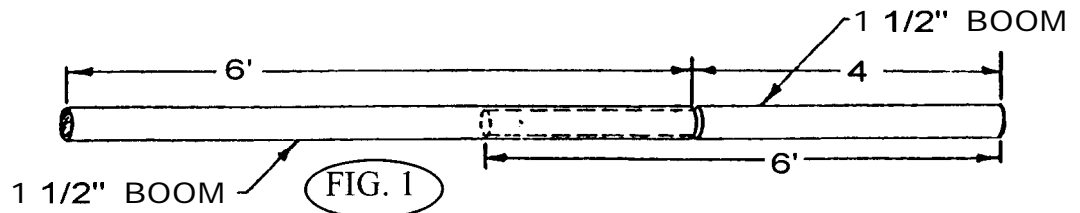
FIG. 3A

V-QUAD STACKING KIT

FIG. 2



VQ2SK



1 1/2" BOOM

FIG. 1

VQ2SK



Caution:

**TAKE CARE TO AVOID ANY CONTACT WITH
OVERHEAD POWER LINES WHEN RAISING,
INSTALLING, OR REPAIRING YOUR
ANTENNA, TOWER, OR ROTOR.**

DEATH WILL OCCUR!



Installing and rigging towers, masts and antennas require specialized skills and experience. Information supplied by MACo assumes that all products will be installed by personnel having these skills and have installed similar products before. No one should attempt to install towers or masts without these knowledgeable skills.

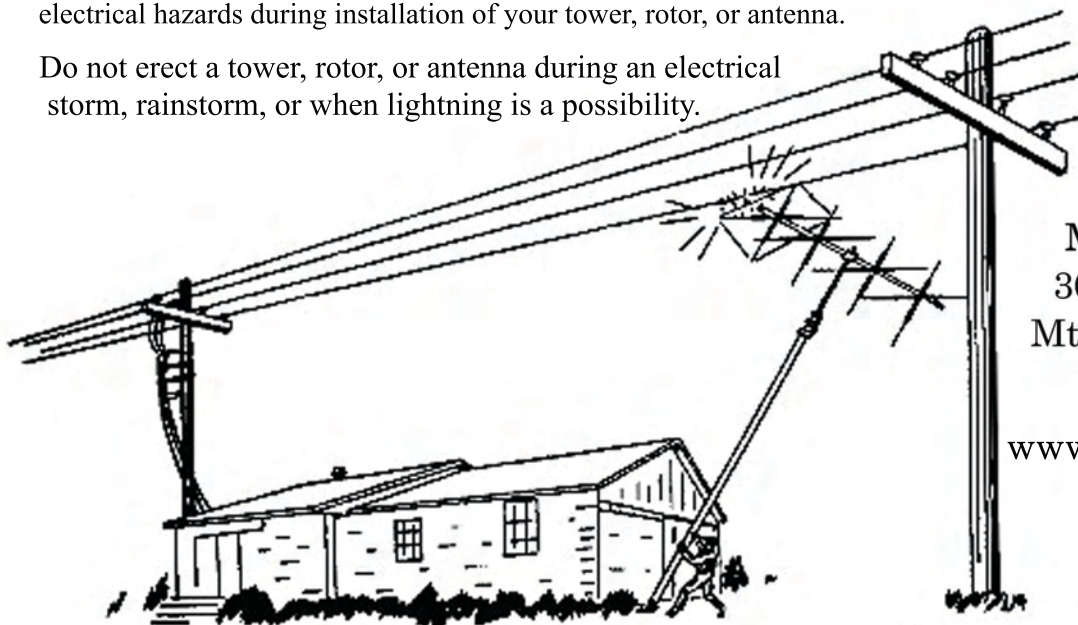
MACo assumes no liability if faulty or dangerous installation practices are used. There are available, trained and experienced personnel to assist in installation, maintenance, or disassembly. Contact your local installer if consultation or assistance is required.

All tower and antenna installations should be thoroughly inspected at least twice a year by qualified, experienced, and trained personnel to insure proper performance and safety standards.

Electrical Warning

An additional warning precaution is given to be careful of surrounding high voltage power wires and other electrical hazards during installation of your tower, rotor, or antenna.

Do not erect a tower, rotor, or antenna during an electrical storm, rainstorm, or when lightning is a possibility.



MACo Antennas
302 S. East Street
Mt. Carroll, IL 61053

www.macoantennas.net
(815) 244-3500

MACo Antennas is a Division of Charles Electronics, LLC