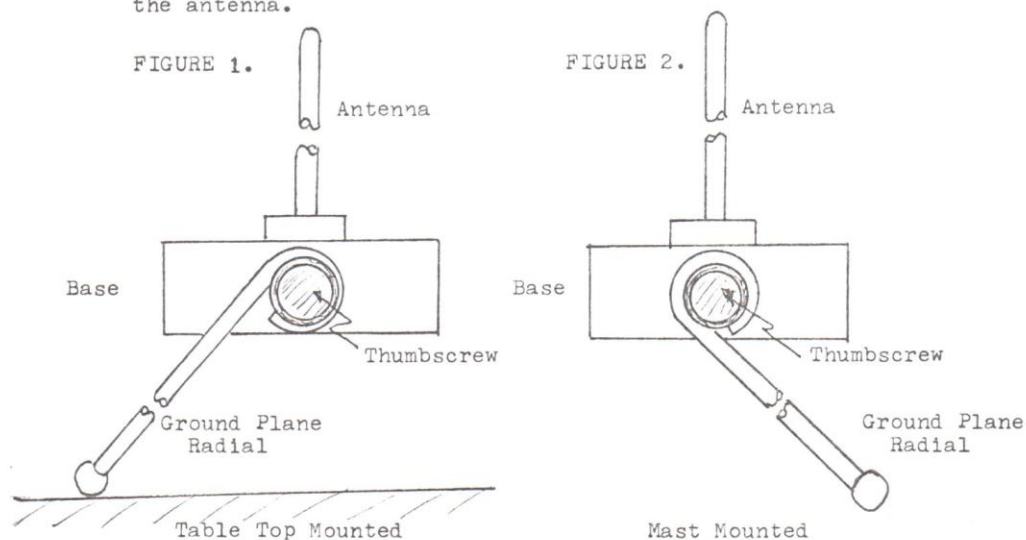


A-607 Two Meter Ground Plane Manual

MODEL A-607
2-Meter Ground Plane

1. Connect a coax feedline (50 ohm impedance) to the antenna connector.
2. Loosen thumbscrews and unfold the ground plane radials.
3. If the antenna is to be set upon a table or other hard object, the radials should be positioned as shown in Figure 1. In this configuration, the weight of the antenna will tend to tighten the radials on the base. The radial angle to the vertical axis should be approximately 30 degrees for table mounting.
4. If the antenna is to be mounted on a temporary support such as a mast or pole, the Figure 2 configuration should be used. The weight of the radials will now tend to tighten the thumbscrews to the base.
5. SWR may be adjusted by changing the angle of the ground plane radials with respect to the vertical axis. SWR may vary as a function of height above ground and the proximity of metal objects in the immediate vicinity of the antenna.



Palomar Engineers

1924-F West Mission Road, Escondido, CA 92025 • Phone (619) 747-3343