

SPECIFICATIONS

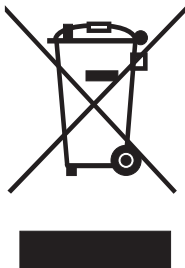
Type	: 1/2 wave length (λ)
Impedance	: 50 Ohm (Ω)
Frequency	: 22-30 MHz
Polarization	: Vertical
SWR	: 1.15/1
Gain	: + 8 dBi
Max. power	: 2000 Watt P.E.P
Band width	: 8000 kHz (800 cx)
Weight	: 2 kg / 4.41 lbs
Length	: 5270 mm / 207.48 inches
Whip	: Fiber / graphite

The HIMALAYA WB is a fixed antenna, specially de-signed to give maximum results in the CB channel band +10 and + 12 m. A standard socket «SO-239» is used for the connection of the antenna.

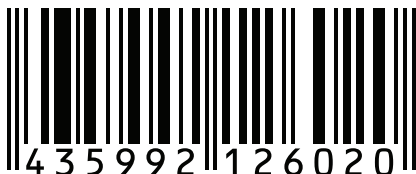


Any under warranty expedition must be done to our factory in Barcelona - Spain, the only authorized to decide about the warranty

application (an original proof of purchase sales receipt must be included).



Art. N° AFFM316



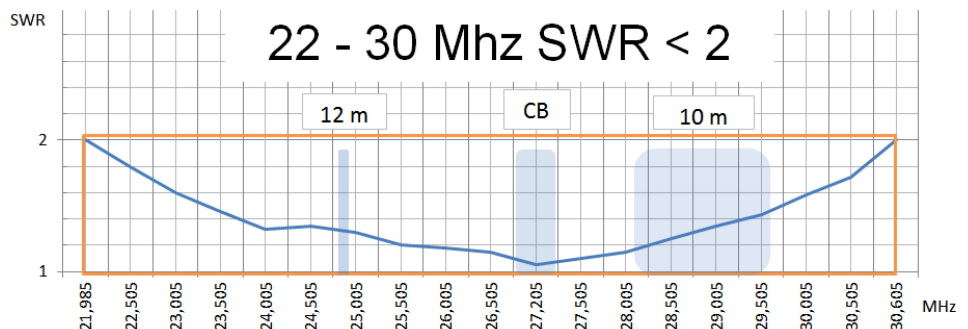
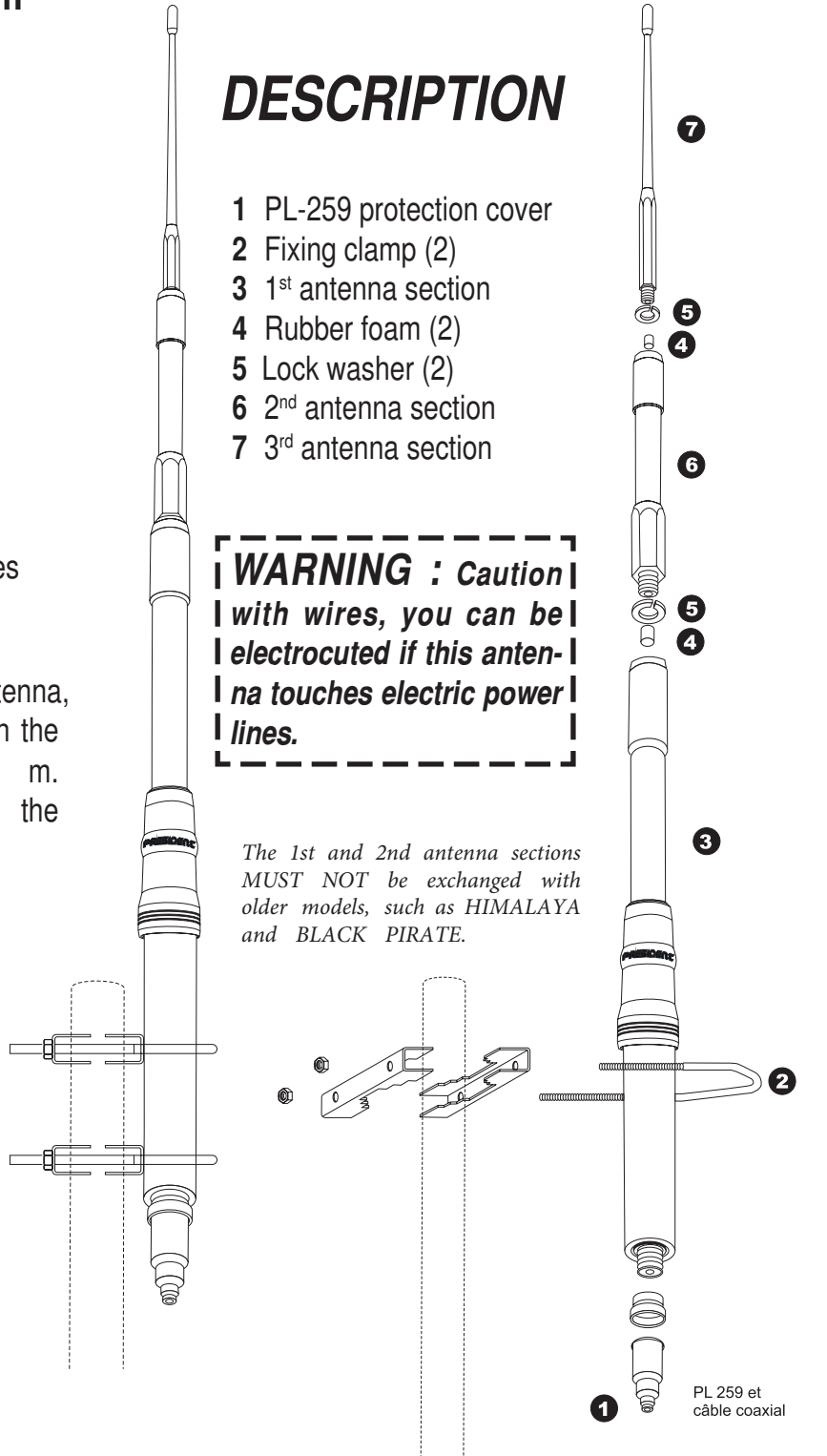
3 435992 126020

DESCRIPTION

- 1 PL-259 protection cover
- 2 Fixing clamp (2)
- 3 1st antenna section
- 4 Rubber foam (2)
- 5 Lock washer (2)
- 6 2nd antenna section
- 7 3rd antenna section

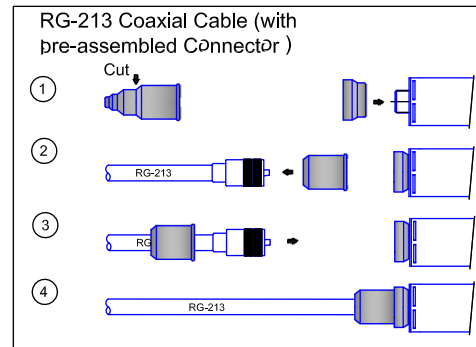
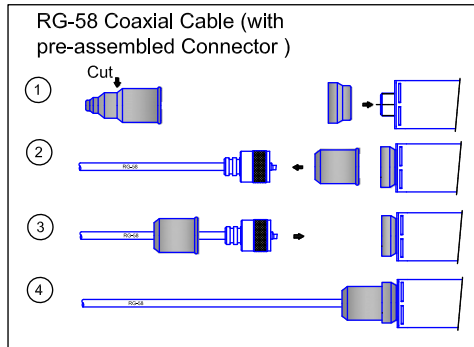
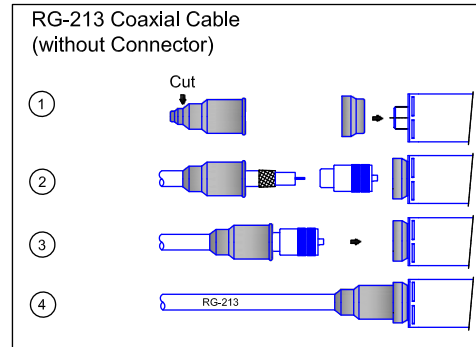
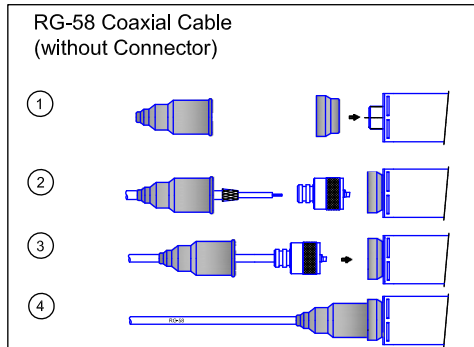
WARNING : Caution
with wires, you can be electrocuted if this antenna touches electric power lines.

The 1st and 2nd antenna sections MUST NOT be exchanged with older models, such as HIMALAYA and BLACK PIRATE.



MADE IN EUROPE - SPAIN

CABLE ASSEMBLY SCHEME



HIMALAYA WB is a handmade antenna with high quality materials, checked one by one, and entirely built in our factory located in Barcelona, SPAIN.

HIMALAYA WB is a pre-tuned antenna and does not need any regulation by customer's side.

HIMALAYA WB is an external fixed antenna specially designed to give maximum results in the CB band, 10m band (28MHz) and 12m band (24MHz).

Installation of this product near to power lines is dangerous. We do recommend to mount your antenna at minimum 3 meters above the roof, as far as possible from other structures, such as walls or buildings and away from any metal objects in the area.

We do recommend to use good coax cable (RG-213), as short as possible, to get the best performance. It is expectable no cable joints between transceiver and antenna. Be sure that cable is not pinched, shorted, broken or kinked.

Before mounting your antenna, check that your radio transceiver and SWR-meter work properly.

All these recommendations are all you need to do in order to have best performance.

In case of having followed all our recommendations, you have some setbacks with measurements, or you find there is something wrong with its performance; it will be due to faulty installation or unappropriated site selection.

For the purpose of solving these setbacks, you should check all antenna installation and also its mounting location. But if you continue having same difficulties than before, we do recommend installing a good GROUND to drain off static electricity build-up by connecting a ground cable to mast. In addition to this, you could add one extra improvement either by making a cable coil (1) or by using some ferrite rings (2).

(1) Cable Coil. It could be necessary to coil the cable around 3 or 4 turns next to antenna connection. Each turn should have a diameter of about 20 or 30 centimetres.

(2) Ferrite Ring. It could be necessary to install 10 Ferrite Rings in cable, 25 centimetres away from antenna connection, separate 20-25 centimetres each one.

You will find more details and pictures on: www.president-electronics.com

- TECHNICAL ADVICE - Preventive maintenance:

To make easier the antenna dismantling if needed later, WE DO RECOMMEND TO PROTECT THE MECHANICAL PARTS (mounting bracket) WITH SOME GREASE (like silicone). This will avoid any jam.