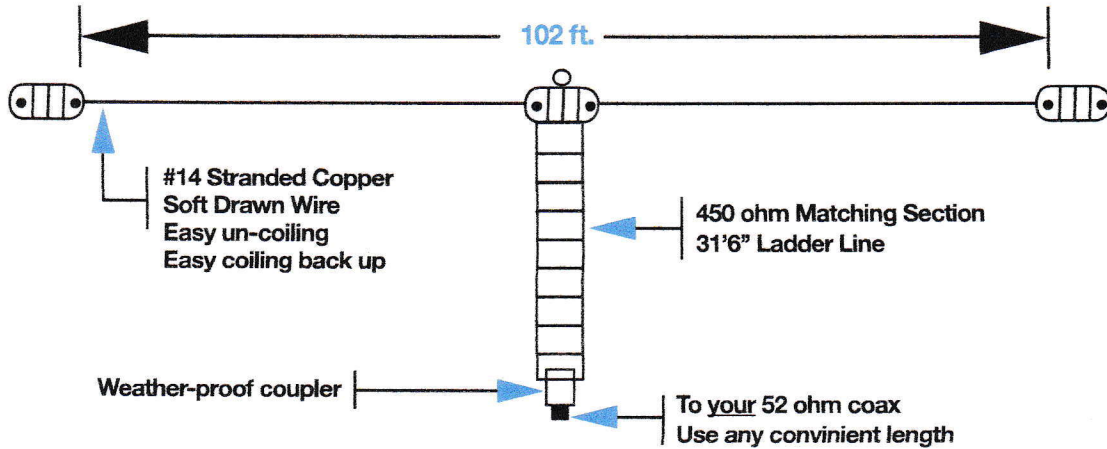




**PORTABLE G5RV
GREAT FOR FIELD DAY
OR ANY OTHER EVENT OR
FUNCTION! WEIGHTS ONLY 3lbs**

The G5RV Multi-Band Antenna



This antenna should be supported with rope or other nonconductor.
The Ladder Line should come away from the flat-top at a right angle for at least 15 feet.

The antenna can be erected as an inverted vee (120° minimum included angle).

Use a piece of heat-shrinkable tubing for weather-proofing your PL-259 coax plug.

A suitable antenna tuner will permit operation on all bands 80 through 10.

The G5RV Functions as follows:

- 3.5/4.0 MHz A half-wave dipole folded up at the center
- 7.0/10 MHz A colinear array with two half-waves fed in-phase
- 14 MHz A center-fed long wire of 3 half-waves fed out-of-phase
- 18 MHz Two full-wave antennas fed in-phase
- 21/24 MHz A 5 half-wave long wire
- 28 MHz Two long-wire antennas, each 3 half-wave, fed in-phase

This antenna was designed by Louis Varney, G5RV, in 1946

Radio Oasis, LLC
320 Osborne Road
Loudonville, NY 12211
518-432-3936
www.radio-oasis.com