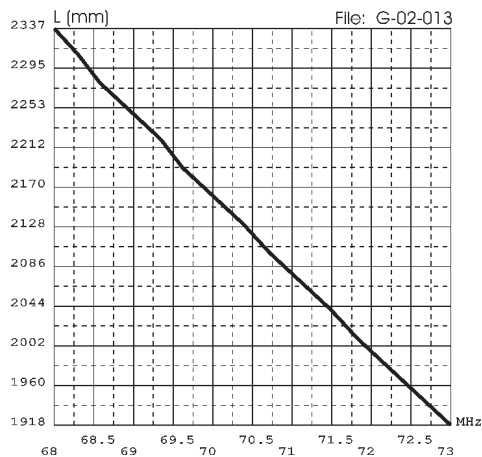
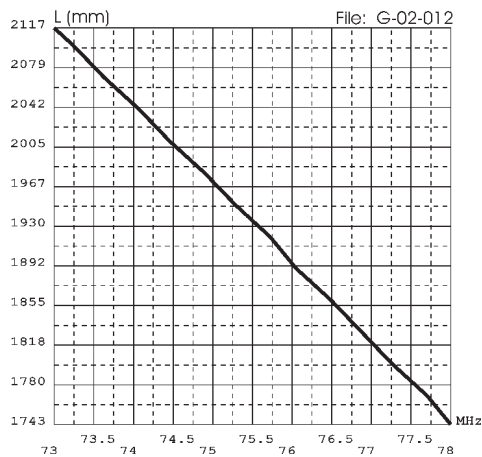


TYPICAL TUNING DIAGRAMS

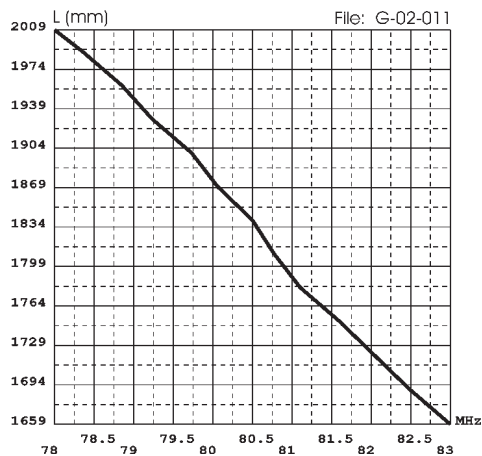
CX 4-68



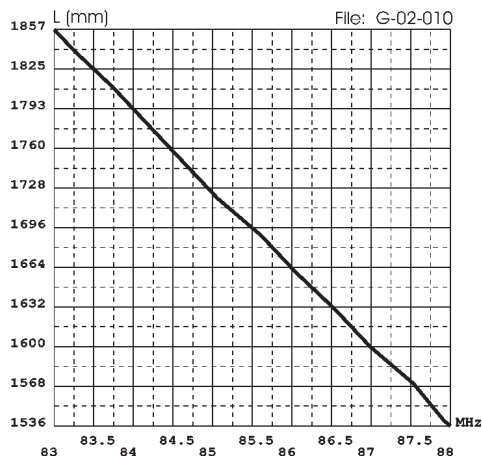
CX 4-73



CX 4-78



CX 4-83



NOTE:

- L is the length indicated in the above pictures.
- It is recommended to use the curves just as a guide. Fine-tuning by using an SWR-Meter.

CX 4m series

VHF Base Station Antennas 68..88 MHz



HI-QUALITY ANTENNAS MADE IN ITALY

© Copyright SIRIO antenne - Technical Data are subjected to change - Printed in ITALY - Rev. 09/04/2008 - Cod. ID075

Installation Manual

DESCRIPTION

3/4 λ VHF antenna for base station service made of high quality materials to get the best performance and the maximum efficiency. It is completely manufactured with aluminium tubes and nylon for its great robustness and it is supplied with a solid steel bracket for an easy and safe installation. Its Gamma Match feed makes it earthed for a perfect protection against the static discharges. Simple and strong, it is particularly recommended for a professional use.

SPECIFICATIONS

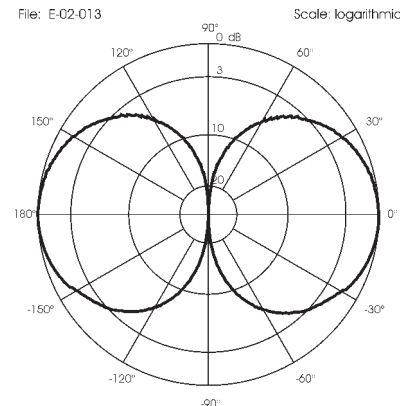
Electrical Data

| | |
|------------------------|--|
| Type | : 3/4 λ Coax. J-Pole |
| Frequency Range | : CX 4-68 from 68 to 73 MHz tunable by diagram : CX 4-73 from 73 to 78 MHz tunable by diagram : CX 4-78 from 78 to 83 MHz tunable by diagram : CX 4-83 from 83 to 88 MHz tunable by diagram |
| Impedance | : 50 Ω Unbalanced |
| Radiation (H-plane) | : 360° Omnidirectional |
| Radiation (E-plane) | : Beamwidth at -3 dB = 60° |
| Radiation angle deg. | : 3° |
| Polarization | : Vertical |
| Gain | : 2 dBd - 4.15 dBi |
| Bandwidth @ SWR 1.5 | : CX 4-68 ≥ 1.7 MHz @ 68 MHz : CX 4-73 ≥ 2.0 MHz @ 73 MHz : CX 4-78 ≥ 2.5 MHz @ 78 MHz : CX 4-83 ≥ 2.5 MHz @ 83 MHz |
| SWR @ res. freq. | : ≤ 1.2 |
| Max Power | : 500 Watts |
| Feed System / Position | : Gamma Match / Base |
| Connector | : UHF Female |

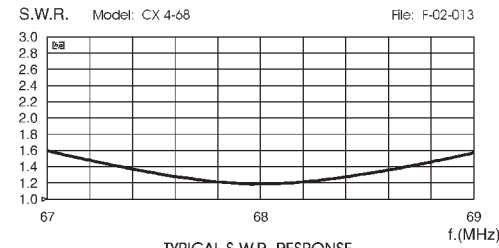
Mechanical Data

| | |
|------------------------|----------------------------------|
| Materials | : Nylon, Brass, Steel, Aluminium |
| Wind Load / Resistance | : 97 N at 150 Km/h / 150 Km/h |
| Wind Surface | : 0.08 m ² |
| Height (approx.) | : from 2700 to 3360 mm |
| Weight (approx.) | : 1900 gr |
| Mounting Mast | : Ø 35-42 mm |

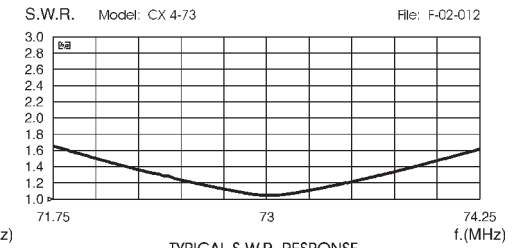
TYPICAL RADIATION PATTERN in E-plane at mid band



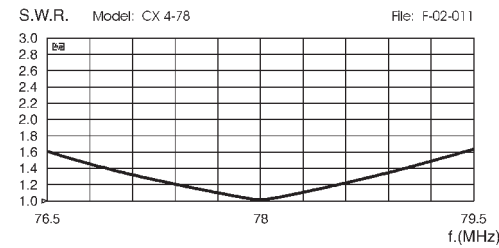
TYPICAL S.W.R. RESPONSE



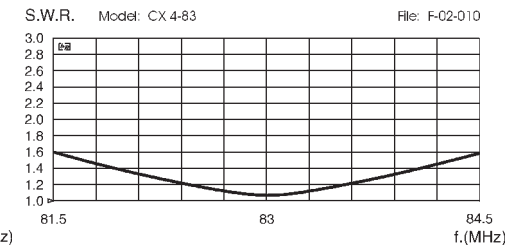
TYPICAL S.W.R. RESPONSE



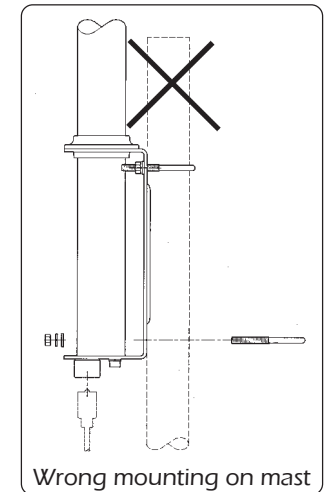
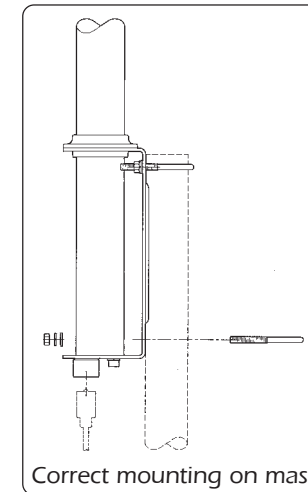
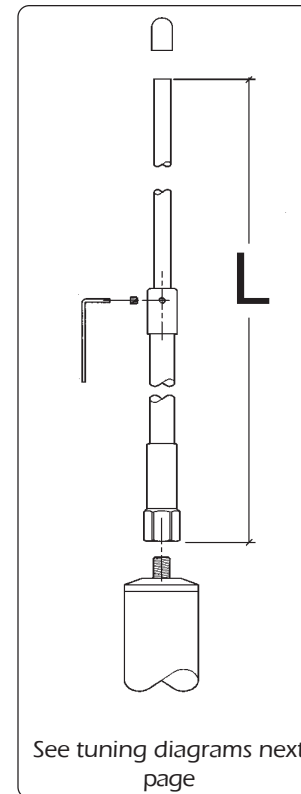
TYPICAL S.W.R. RESPONSE



TYPICAL S.W.R. RESPONSE



MOUNTING INSTRUCTIONS



HARDWARE PARTS LIST

| Qty | Descriptions |
|-----|-------------------------------|
| n.2 | M6x160 U-bolts |
| n.4 | M6 Flat washer |
| n.4 | M6 Lock washer |
| n.4 | M6 Hex nut |
| n.1 | M4x4 Hexagon socket set screw |
| n.1 | 2mm Exagonal key |
| n.1 | Ø10mm PVC cap |



HI-QUALITY ANTENNAS MADE IN ITALY