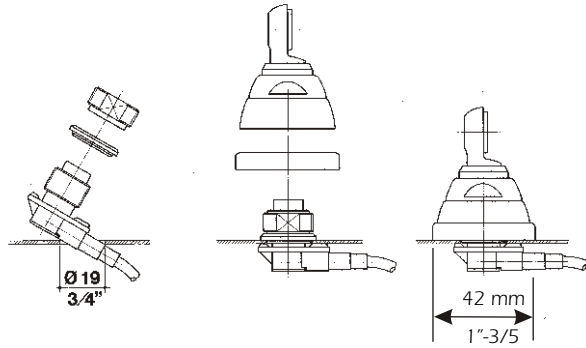
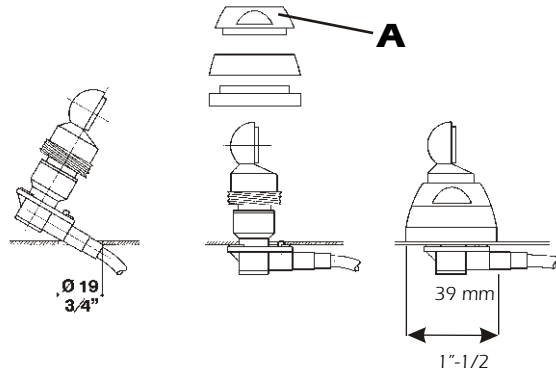


MOUNT INSTALLATIONS

"S" Mount



"SL" Mount



REMARK: Be careful during installation do not use too much strenght but tighten the metal ring **A** by means of the suitable tool. **TIGHTENING TORQUE: 4 Nm ± 10%**

ATTENZIONE: Porre attenzione durante l'installazione. Non serrare con troppa forza ma avvitare l'anello metallico **A** utilizzando la chiave adeguata. **COPPIA DI SERRAGGIO: 4 Nm ± 10%**

ALTERNATIVE MOUNT TYPE



MAG 125 S:

Frequency Range: from DC to 500 MHz
Overall Size: Ø 127 mm
Materials: Chromed Brass, Nylon, Rubber
Cable: 3.6 m RG 58 / PL 259 R male
Antenna connection: UHF-female

P/N 2502602.01 MAG 125 S



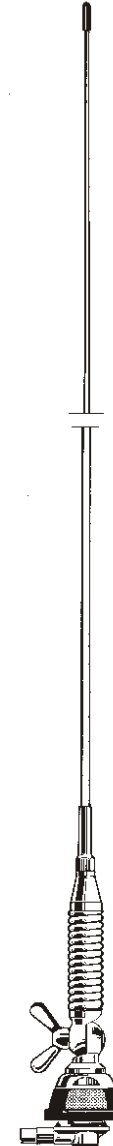
SIRIO
antenne

HI-QUALITY ANTENNAS MADE IN ITALY

© Copyright SIRIO antenne - Technical Data are subjected to change - Printed in ITALY - Rev. 15/07/2006 - Cod. ID108

MG 75

VHF Mobile Antennas 66...88 MHz Fiberglass whip



Installation Manual

DESCRIPTION

1/4 mobile antennas covering the frequency range of 66...88 MHz by using the enclosed cutting diagram. It is made of black fiberglass tapered whip and supplied with "S" or "SL" mount.

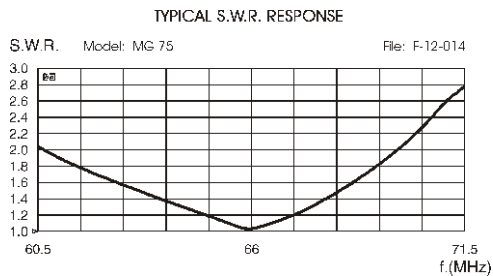
SPECIFICATIONS

Electrical Data

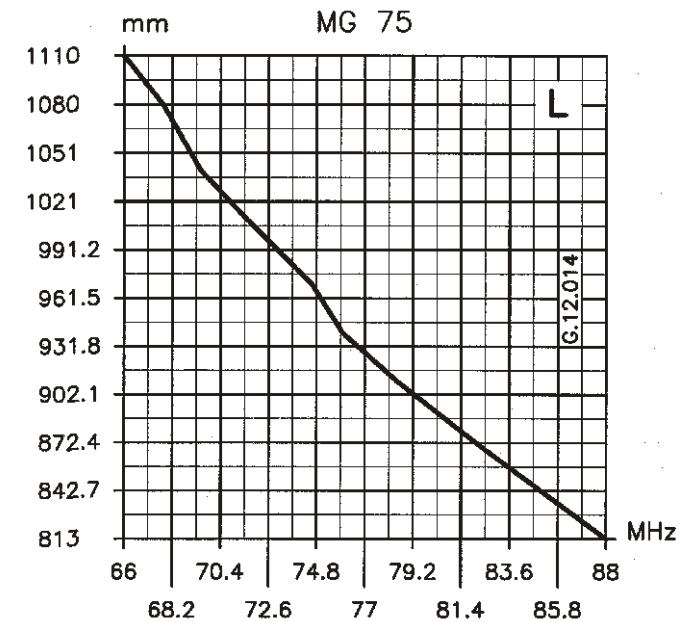
Type : 1/4
 Frequency Range : from 66 to 88 MHz tunable by cutting
 Impedance : 50
 Radiation : Omnidirectional
 Polarization : Linear Vertical
 Gain : 0 dB ref. to a 1/4 whip
 Bandwidth @ SWR 2 : 9 MHz @ 66 MHz ("SL" mount)
 SWR @ res. freq. : 1.2 @ 66 MHz ("SL" mount)
 Max Power : 100 Watts
 Standard Mount : "SL", mounting hole 19 mm, cable 5m RG 58
 Alternative Mount : "S", mounting hole 19 mm, cable 5m RG 58

Mechanical Data

Materials : Fiberglass, Nylon, Chromed Brass
 Height (approx.) : 1110 mm
 Weight (approx.) : 420 gr



TUNING INSTRUCTIONS



NOTE:

- Use the curves just as a guide. For fine-tuning please use an SWR-Meter.