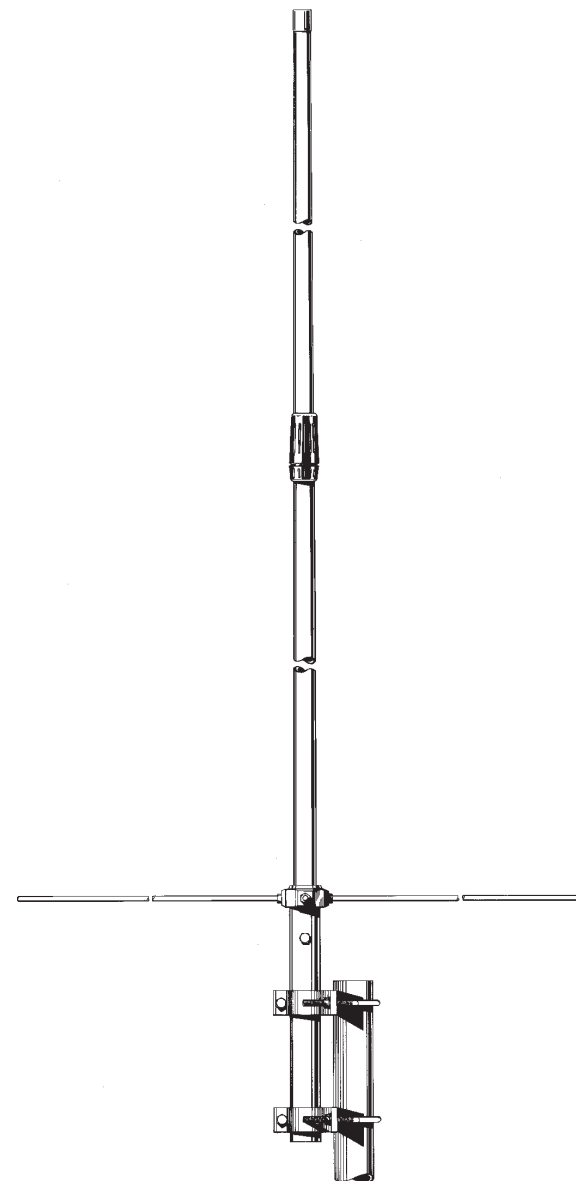


Model SA 22 N

Fiberglass Hi-Gain VHF Antenna 142-148 MHz



Installation Manual

DESCRIPTION

Ground Plane colinear base station antenna developed to be used in the 2m amateur band. It is made of hi-quality materials to get the best robustness and performance. Its whip is of brass protected by a conic fiberglass tube and its radials are of stainless steel to get the maximum strength and the best efficiency. It is supplied with a solid aluminium bracket for an easy and safe fitting to the support mast.

SPECIFICATIONS

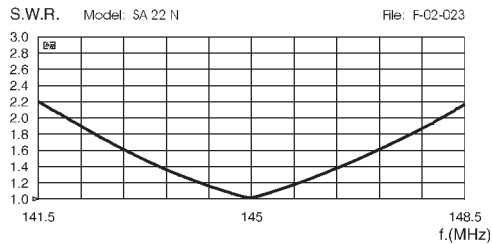
Electrical Data

Type	:	2 x 5/8 λ Ground Plane Colinear
Frequency Range	:	142-148 MHz
Impedance	:	50 Ω
Radiation (H-plane)	:	360° Omnidirectional
Radiation (E-plane)	:	Beamwidth at -3 dB = 35°
Radiation angle deg.	:	-14°
Polarization	:	Vertical
Gain	:	3.6 dBd - 5.75 dBi
Bandwidth at V.S.W.R. 2:1	:	6 MHz
V.S.W.R. at res. freq.	:	≤ 1.2 : 1
Max Power	:	200 Watts
Feed System / Position	:	Transformer DC-Ground / Base
Connection	:	"N" Female Gold Plated

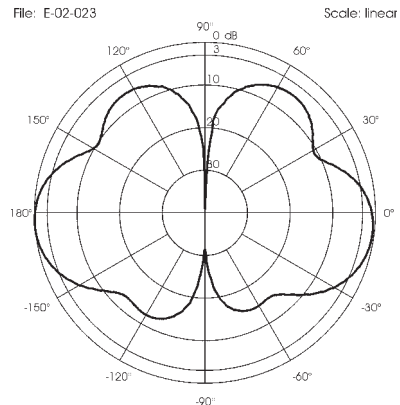
Mechanical Data

Materials	:	Brass, Fiberglass, Stainless Steel, Aluminium
Wind Resistance	:	160 Km/h
Length (approx.)	:	2790 mm
Weight (approx.)	:	1220 gr
Radial Length (approx)	:	495 mm
Mounting Mast	:	Ø 35-54 mm

TYPICAL S.W.R. RESPONSE



TYPICAL RADIATION PATTERN in E-plane at 145 MHz



MOUNTING INSTRUCTIONS

