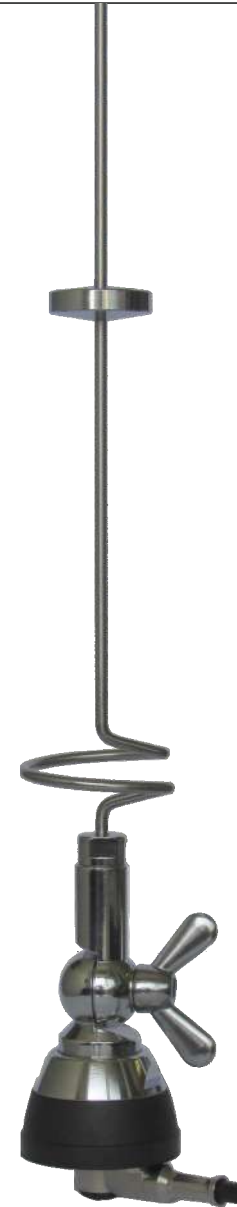


SDB 702

Dual Band Mobile Antenna 2 m / 70 cm Bands



Installation Manual

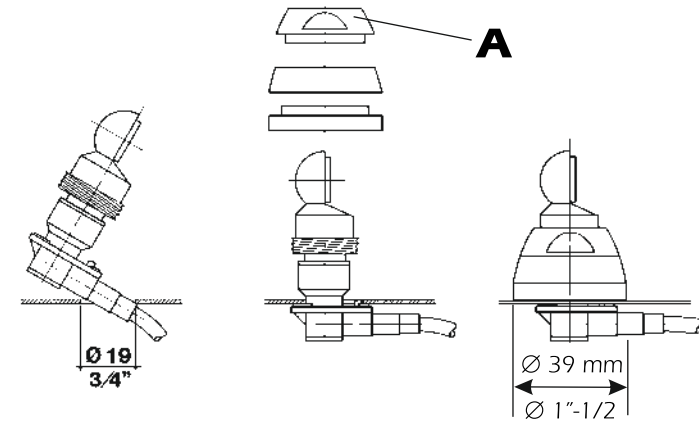
DESCRIPTION

Dual-band vehicular antenna working on 2m and 70 cm bands. The very best materials have been used to guarantee the maximum strength and the best performance. The whip, made of 17/7 PH stainless steel, has an inclination system that allows the 90°.

SPECIFICATIONS

Electrical Data	SDB-702
Type	VHF: $1/4 \lambda$ UHF: $5/8 \lambda$
Frequency Range	VHF: 141 - 149 MHz UHF: 430 - 440 MHz
Impedance	50 Ω
Radiation (H-plane)	360° Omnidirectional
Polarization	Linear Vertical
Gain	VHF: 0 dB ref. to $\lambda/4$ whip UHF: 2 dB ref. to $\lambda/4$ whip
SWR @ res. freq.	VHF: ≤ 1.8 ; UHF: ≤ 1.3
Bandwidth @ SWR ≤ 2	VHF ≥ 8 MHz; UHF: ≥ 20 MHz
Max Power (CW) @30°C	100 Watts
Standar Mount	"SL" Ttype
Cable Lenght / Type	5 m, 16.4 ft / RG 58
Mechanical Data	
Materials	Stainless Steel 17/7 PH, Nylon, Chromed Brass
Height (approx.)	470 mm, 1.55 ft
Weight (approx.)	360 gr, 0.8 lb
Mounting Hole	$\varnothing 19$ mm, 0.75 in

MOUNTING INSTRUCTIONS



REMARK:

Be careful during installation do not use too much strenght but tighten the metal ring **A** by means of the suitable tool. **TIGHTENING TORQUE: 4 Nm \pm 10%**

ATTENZIONE:

Porre attenzione durante l'installazione. Non serrare con troppa forza ma avvitare l'anello metallico **A** utilizzando la chiave adeguata. **COPIA DI SERRAGGIO: 4 Nm \pm 10%**