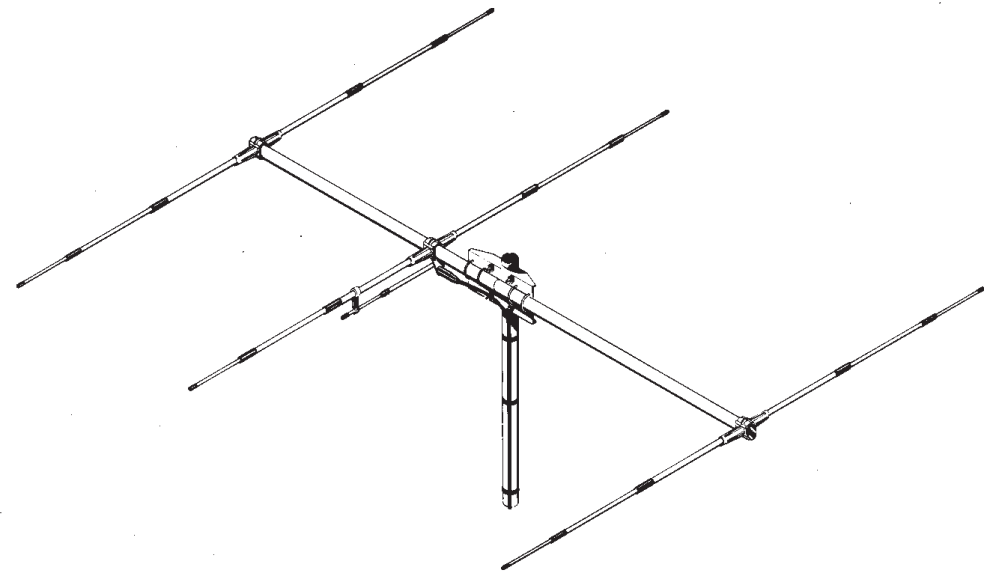


SY 27-3
CB Base Station Antenna (27 MHz)



Installation Manual

DESCRIPTION

3 elements Yagi Beam antenna working on 27 MHz band with Gamma Match System. It has been completely made of anticorodal aluminium and supplied with big section Boom and steel bracket for the fitting on the support mast. The fixing part with rapid mounting system is made of die-cast metal to get the maximum strength. Every elements is supplied with jointing sleeves of polythene for a perfect water-proofing. Its supplied with UHF Female connector.

SPECIFICATIONS

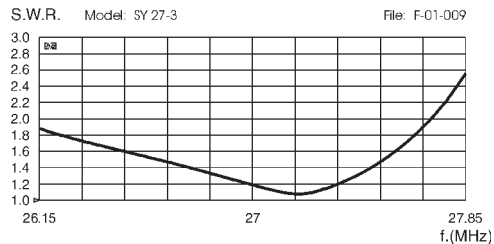
Electrical Data

Type	:	3 Elem. Yagi Beam Antenna
Frequency Range	:	26.1-27.7 MHz @ SWR ≤ 2
Impedance	:	50 Ω
Radiation	:	Directional
Polarization	:	Horizontal
Gain	:	8.5 dBd - 10.65 dBi
Bandwidth @ SWR ≤ 2	:	≥ 1800 KHz (160 channel)
SWR @ res. freq.	:	≤ 1.2
Max Power	:	1000 Watts (CW) continuous, 3000 Watts (CW) short time
Front to Back Ratio	:	20 dB
Connector	:	UHF Female

Mechanical Data

Materials	:	Aluminium, Nylon, Steel
Wind Load / Resistance	:	86 N at 150 Km/h / 120 Km/h
Wind surface	:	0.07 m ²
Dimensions (approx)	:	5740 x 2710 x 100 mm
Boom Length / Diameter	:	2710 mm / Ø 33 mm
Max. element lenght	:	5740 mm
Element Diameter	:	Ø 8-12-16 mm
Turning Radius	:	3350 mm
Weight (approx.)	:	4700 gr
Mounting Mast	:	Ø 35-50 mm

TYPICAL S.W.R. RESPONSE



HI-QUALITY ANTENNAS MADE IN ITALY

ID098

MOUNTING INSTRUCTIONS

1.0 Assembling of elements

Extract the telescopic elements unstringing the tube Ø 12 and mount the jointing sleeve fixing the first section by means of the supplied phillips screw. Assemble the second jointing sleeve, string the top tube Ø 8 together with its PVC cap and fix the end section by your phillips screw.

1.1 Placing of elements on the Boom

See the picture.

1.2 Assembling of elements to the Boom

String the tuning element of Gamma Match on one element of the radator dipole, insert the elements into the metal support and fix them by using the screws and key supplied.

2.0 Assembling of Gamma Match

Extract the final tube of Gamma Match to the length L1=220 mm and fix **without locking** the flat end Ø 12 to the connector by using the supplied nut and washer. Move the tuning element towards the Boom stringing the end part Ø 8 of Gamma Match as far as size L=610 mm. Then fix the tuning element by means of screw and key. Check once again the sizes L and L1, lock the nut on the flat part of Gamma Match and mount the PVC protection cap.

3.0 Assembling of bracket to the Boom

See the picture.

PLEASE, PAY ATTENTION. THE GREAT LOCKING TORQUE OF NUTS THAT FIX THE BOOM CAN CAUSE DAMAGE TO THIS LAST ONE.

3.1 Installation to the support tube

See the picture.

4.0 Cable connection

See the picture.

