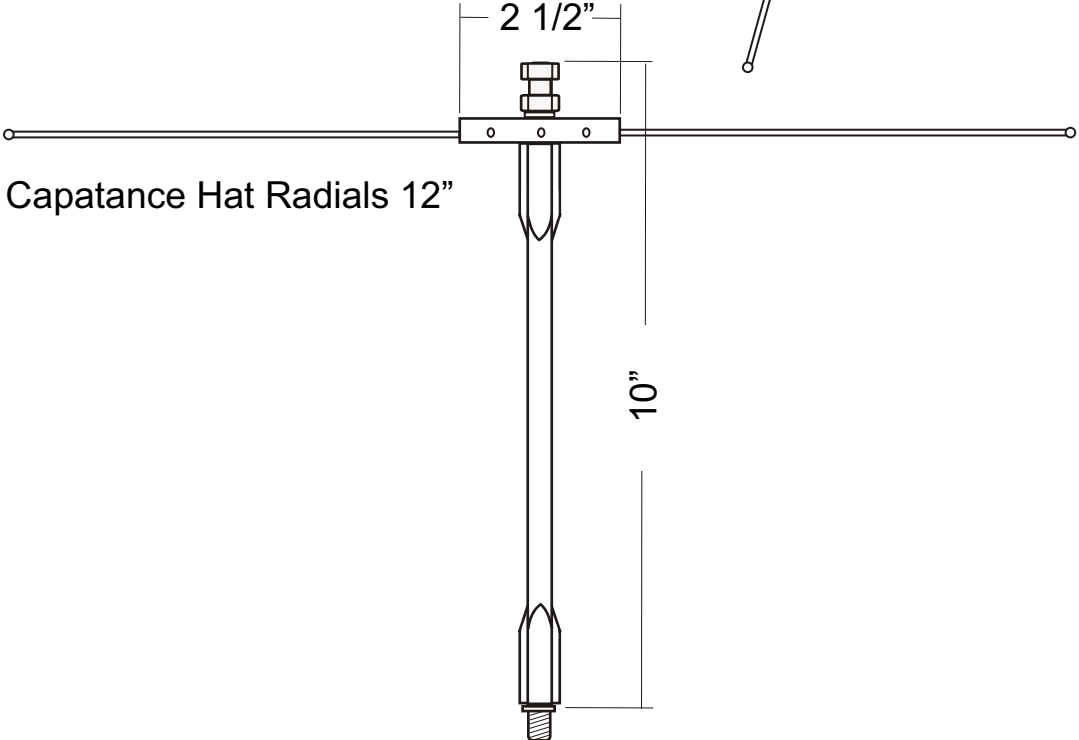
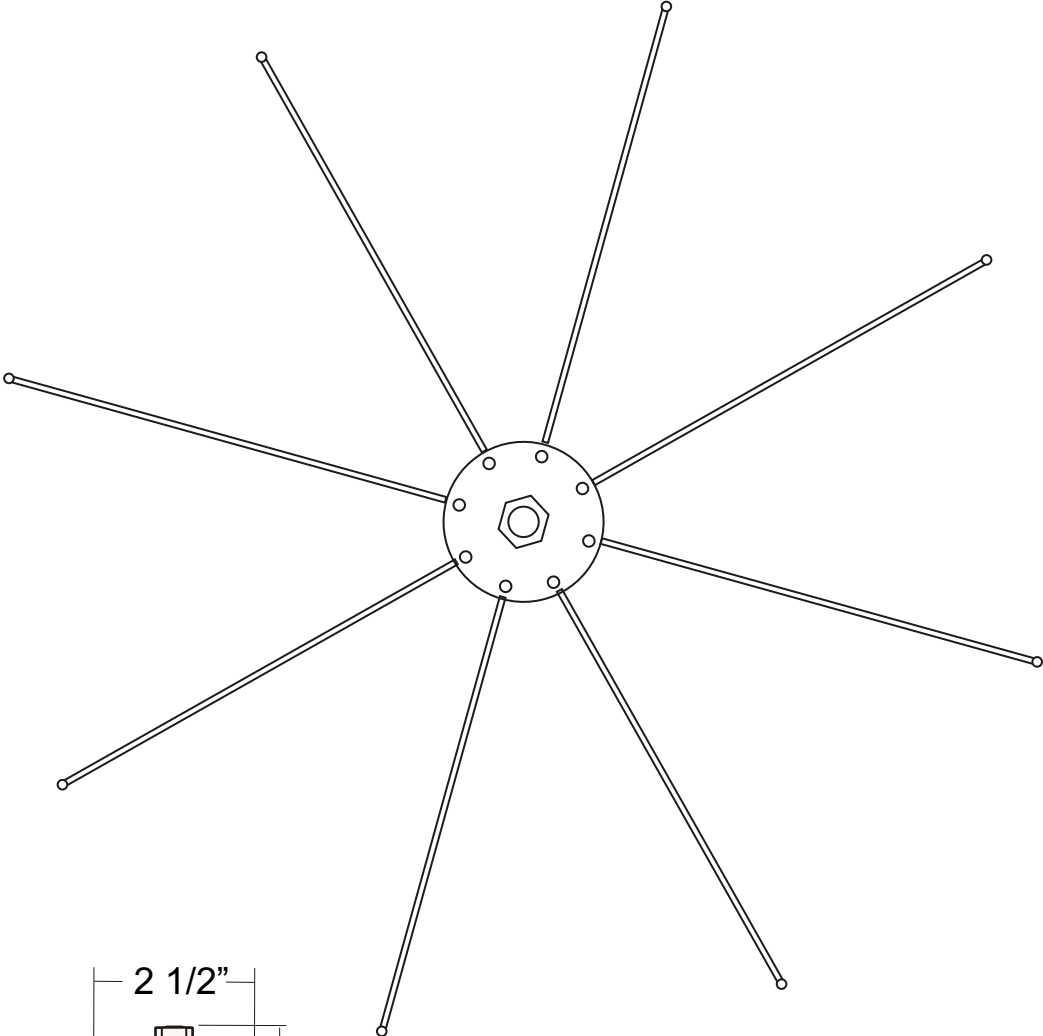
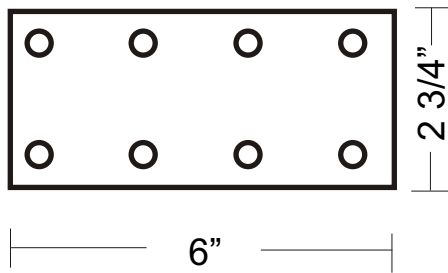


CH-1

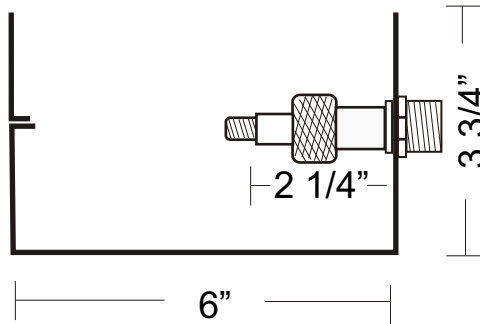


LTMT-1

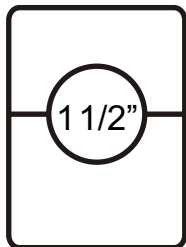
Bolt Holes are 3/8"



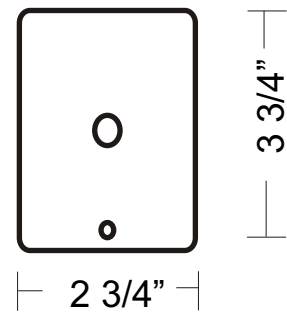
Side View



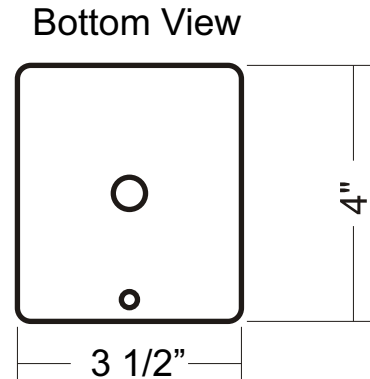
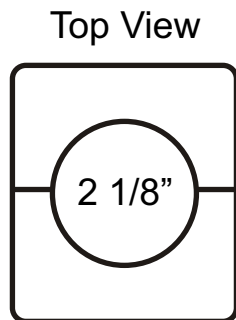
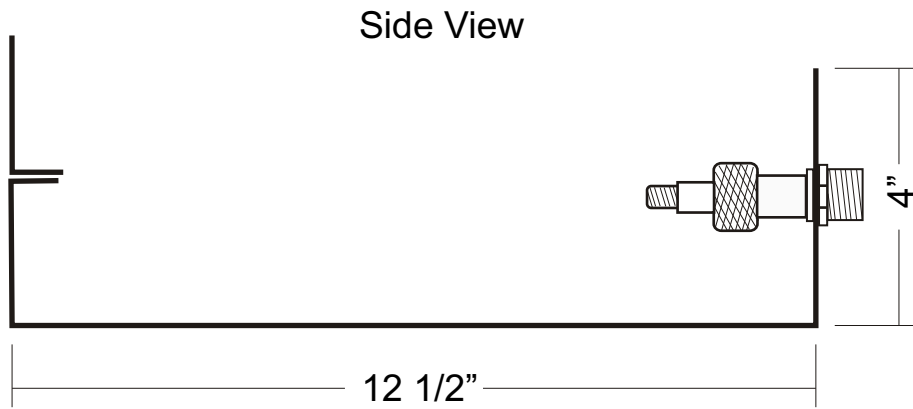
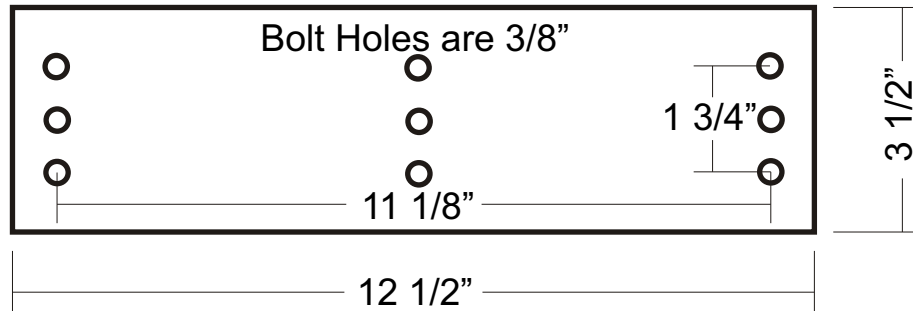
Top View



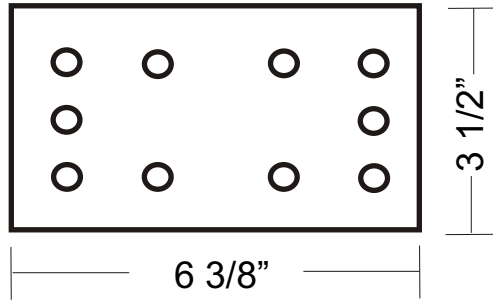
Bottom View



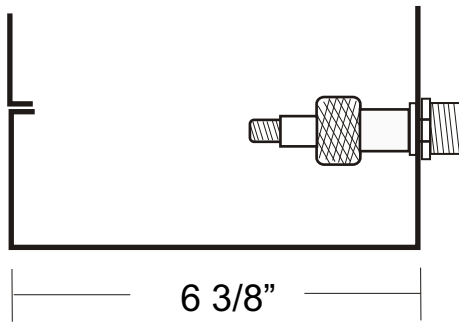
MT-1



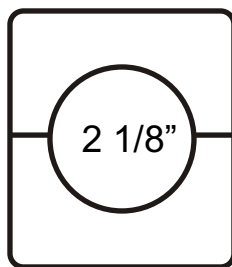
MT-1S



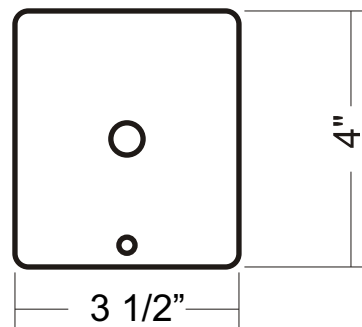
Side View



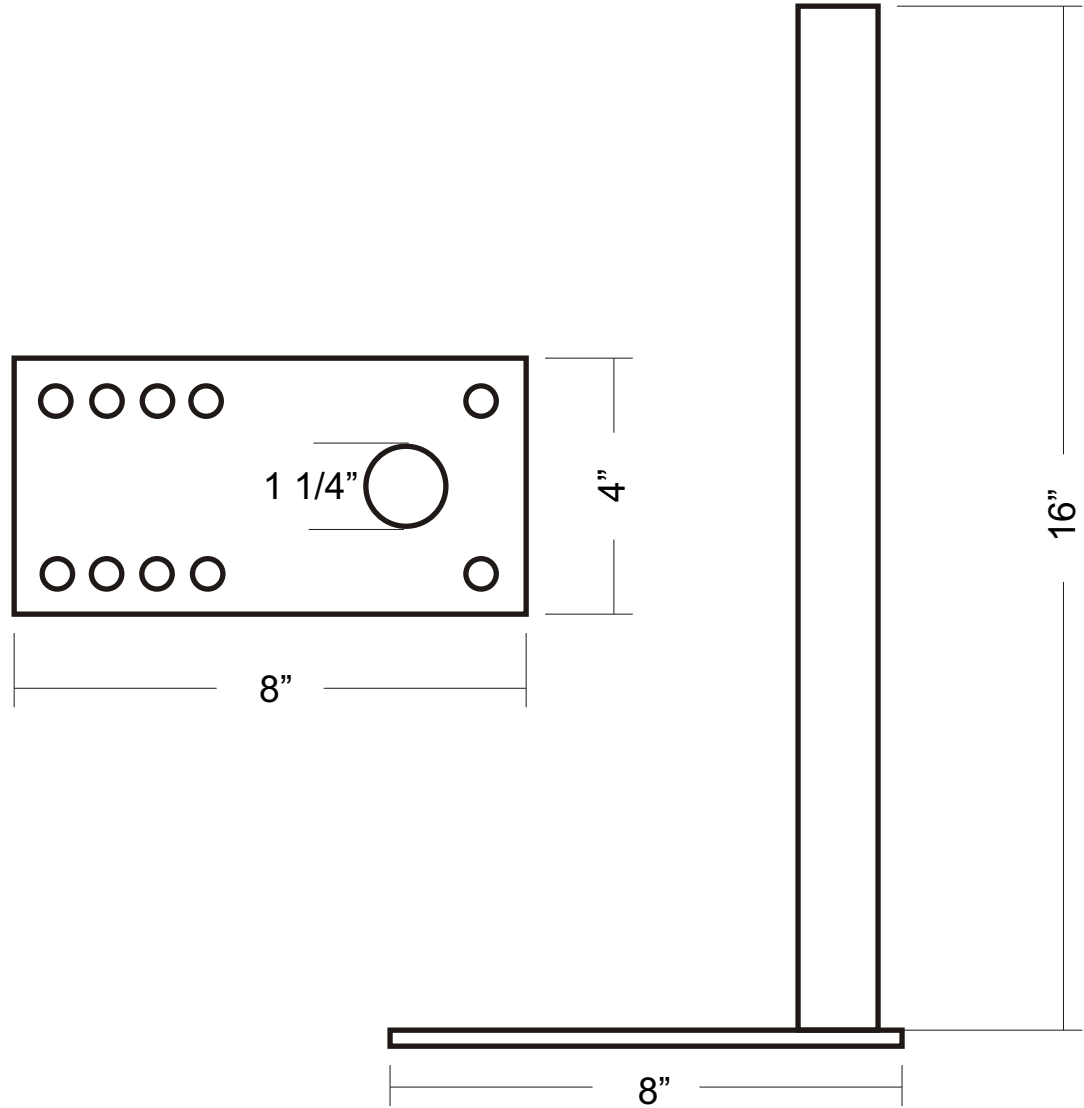
Top View



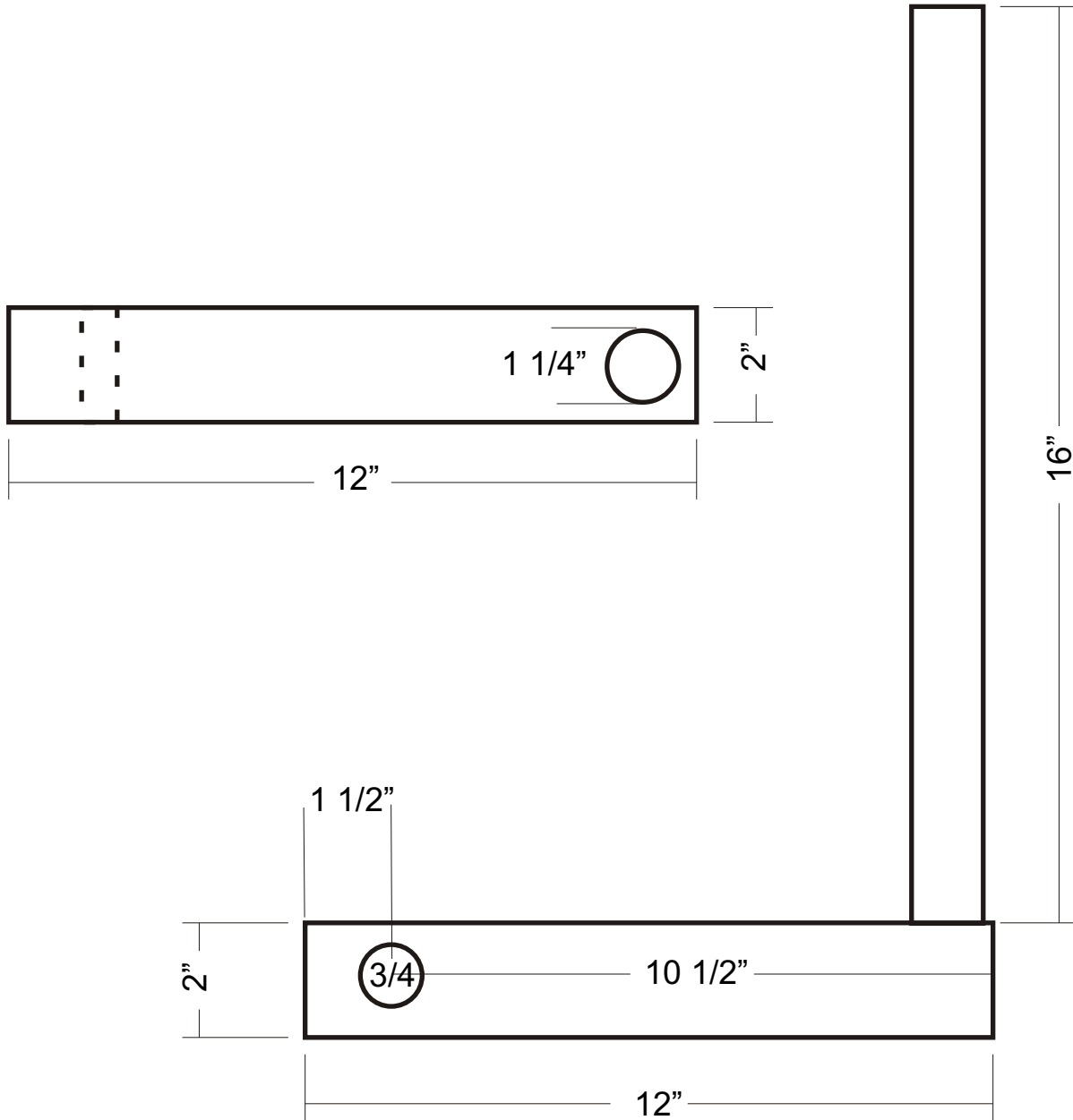
Bottom View



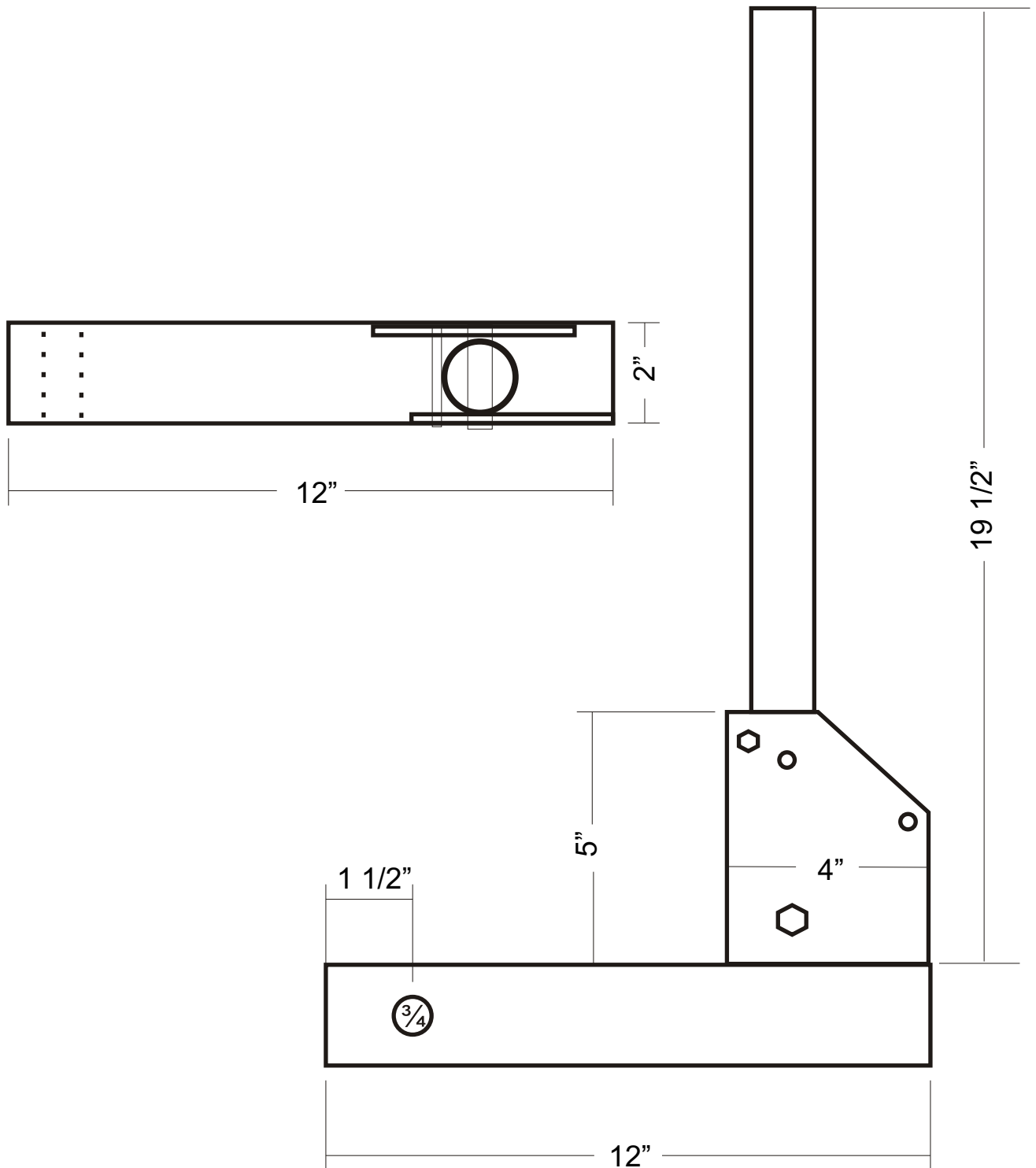
MT-2



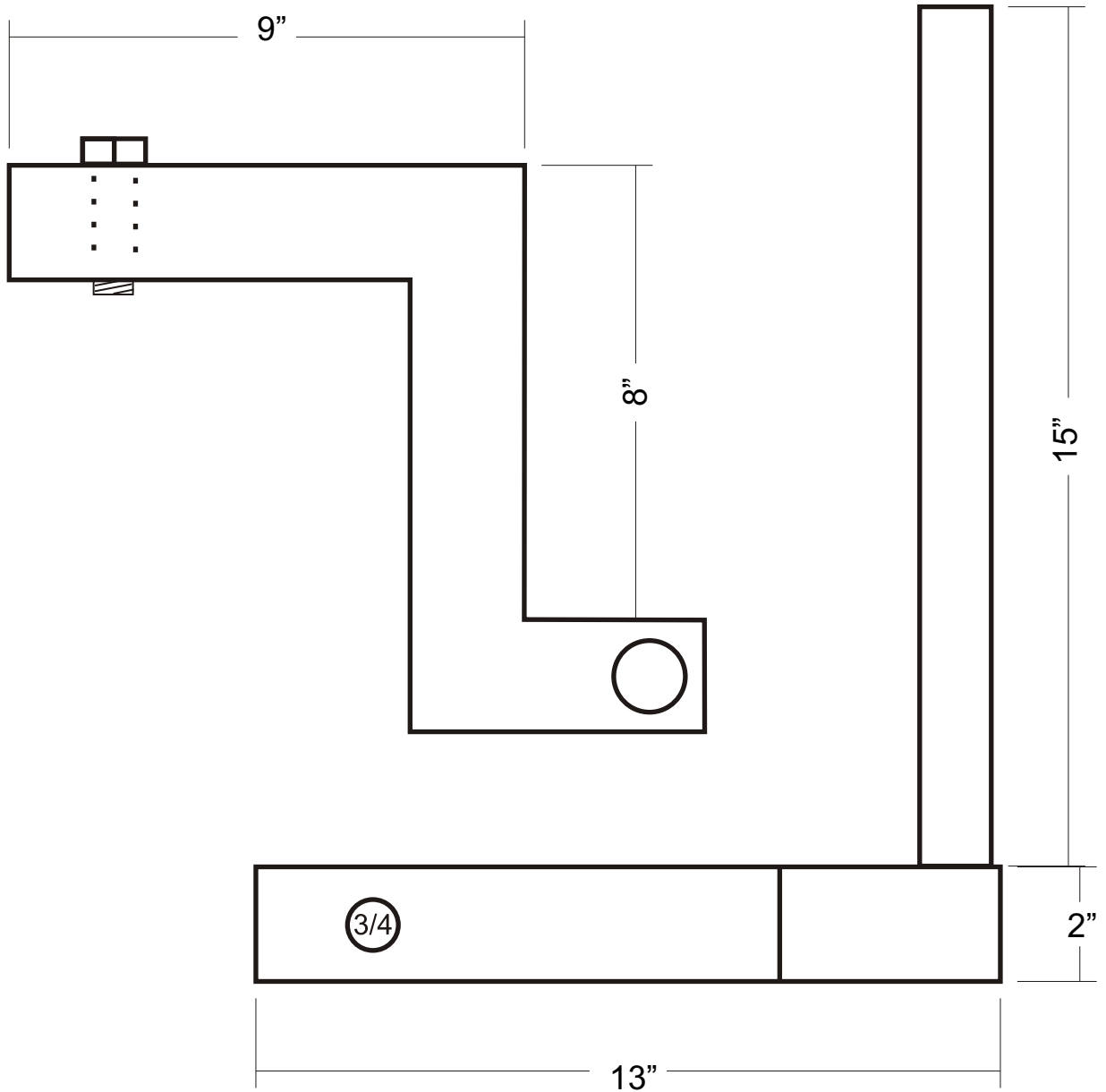
MT-3



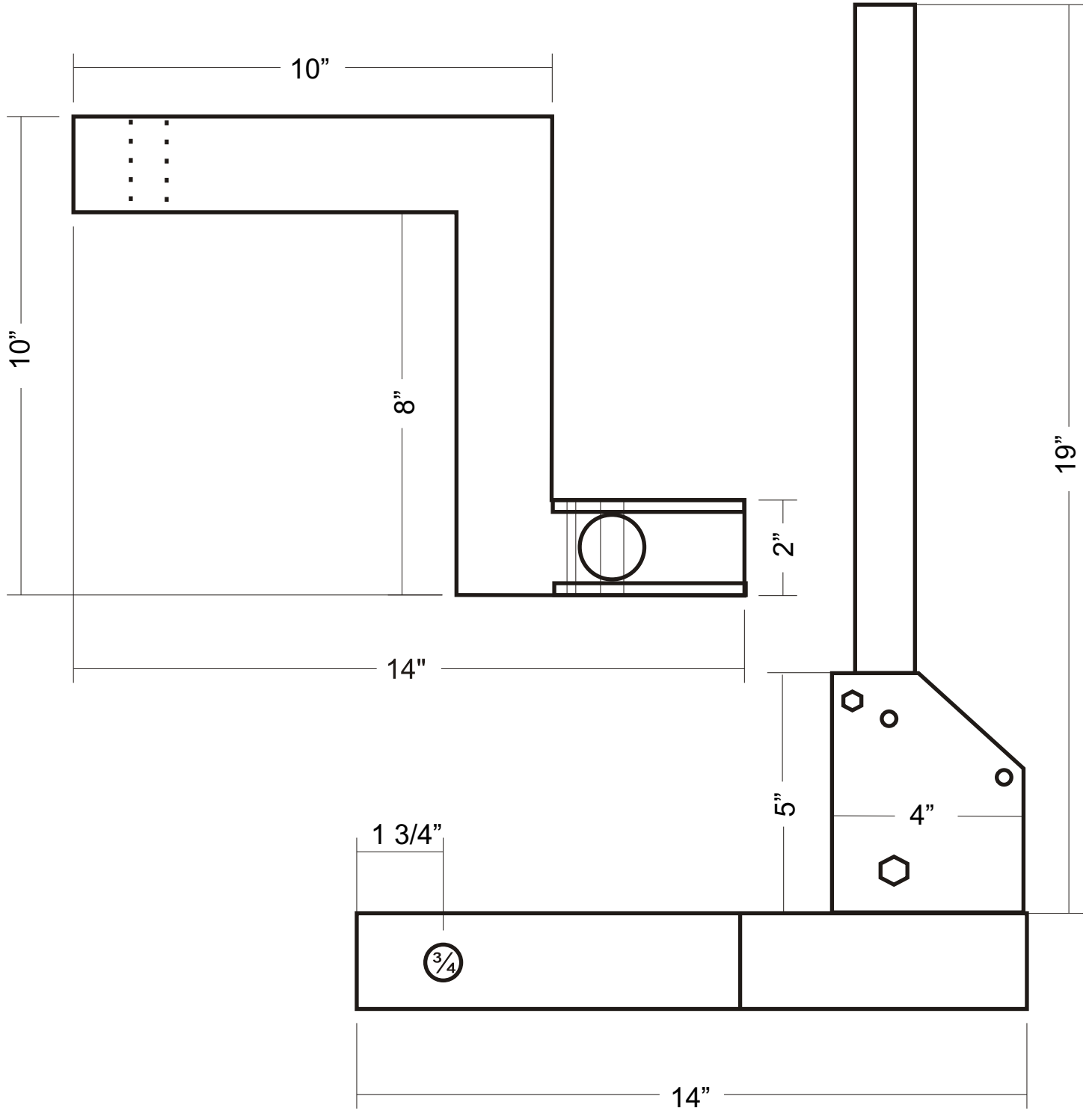
MT-3FB



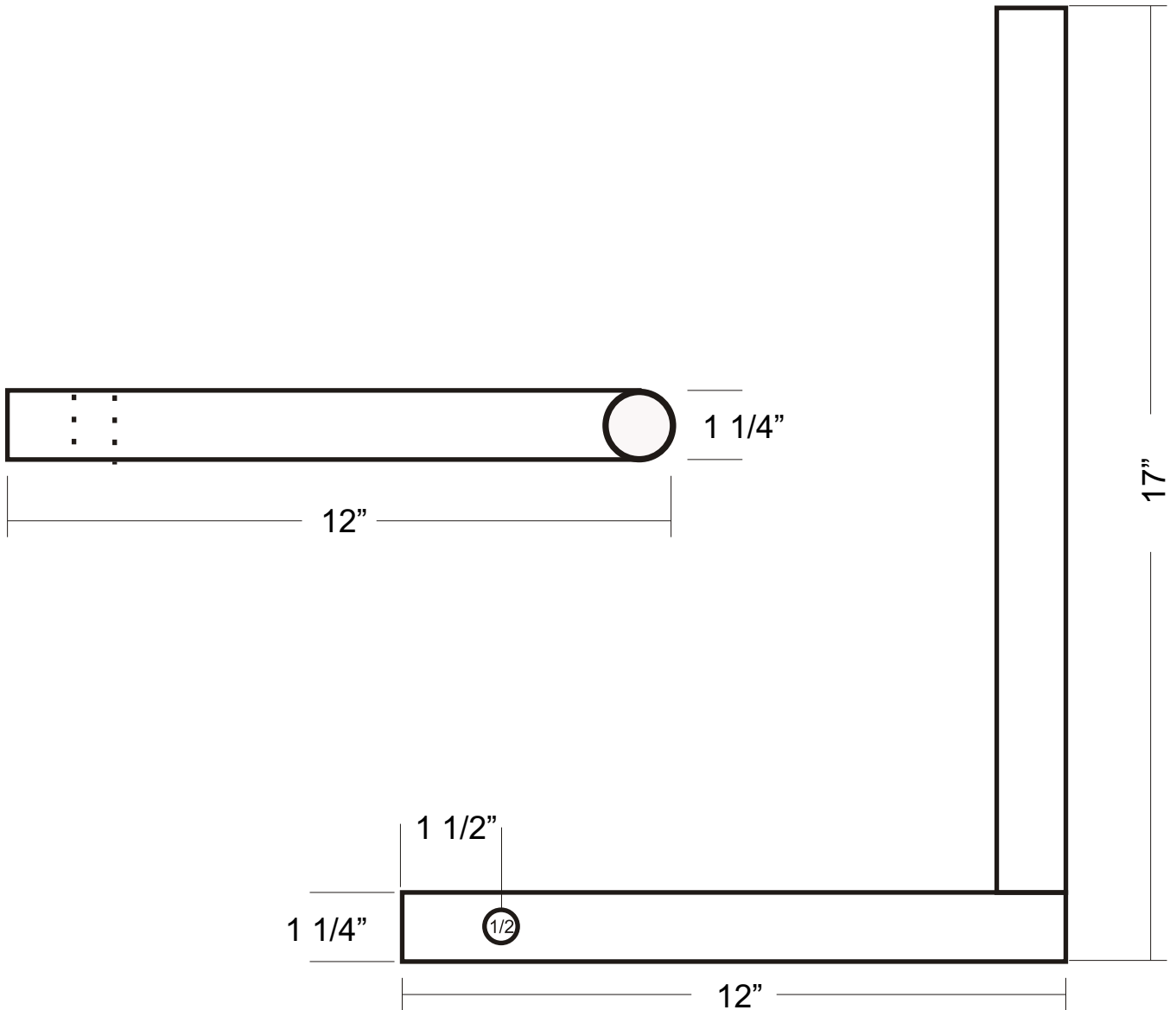
MT-30S



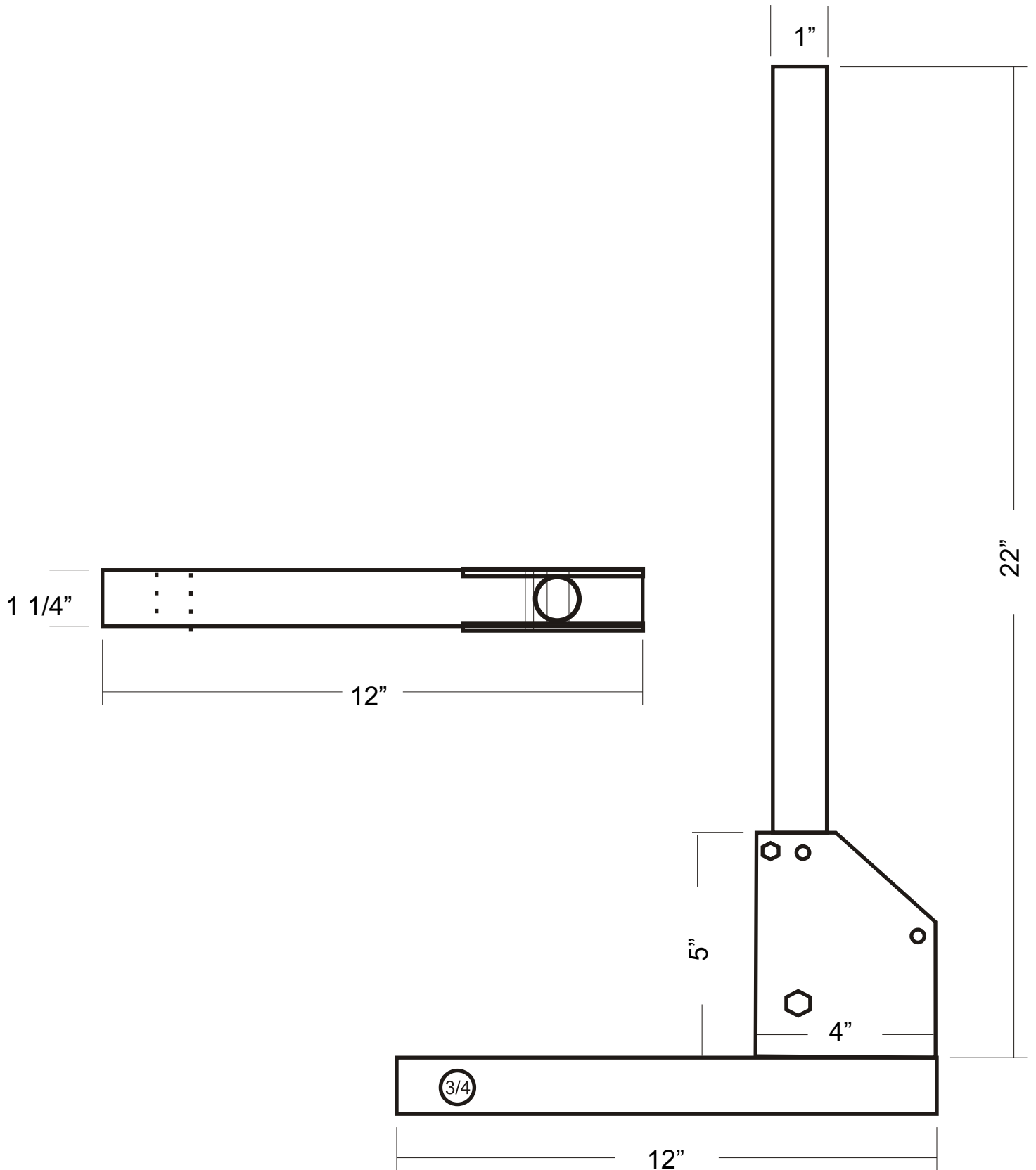
MT-30FB



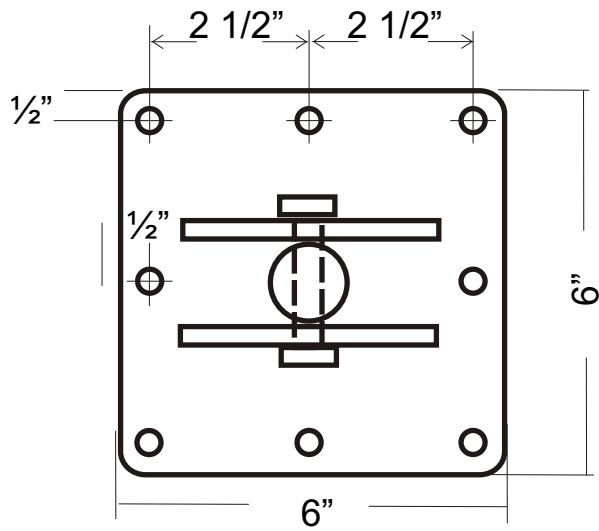
MT-4



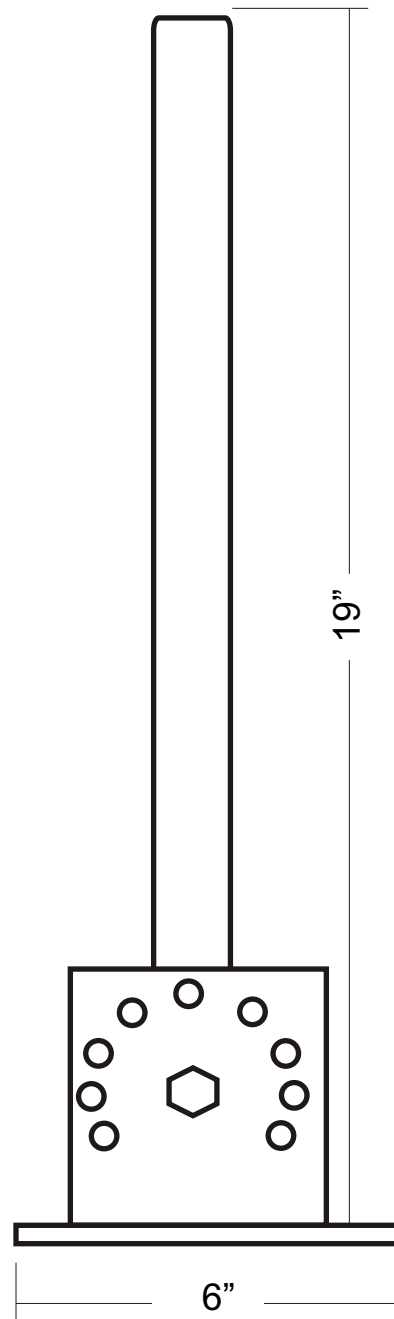
MT-4FB



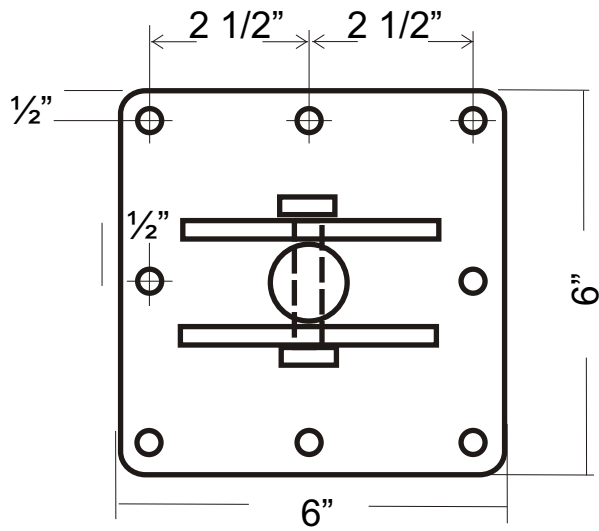
MT-5



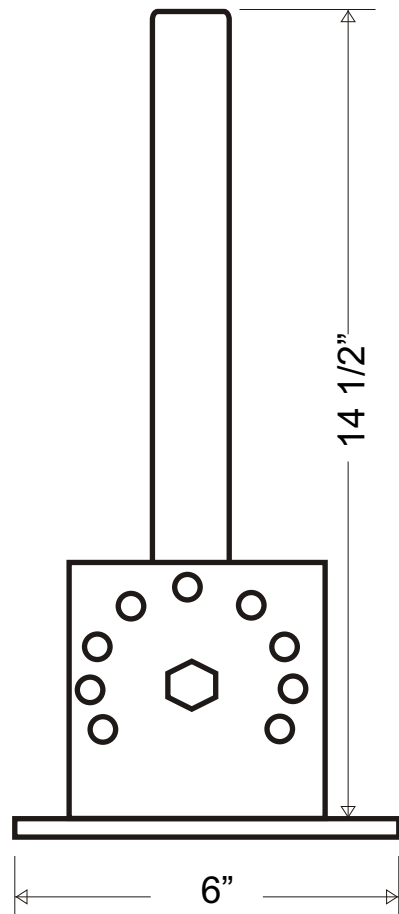
All Holes 3/8"



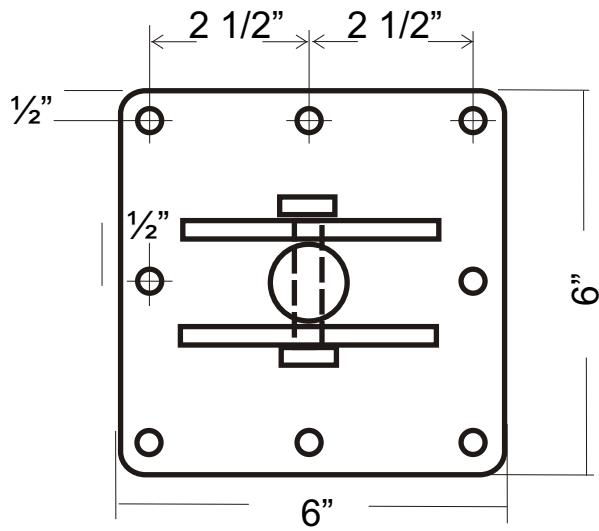
MT-5S



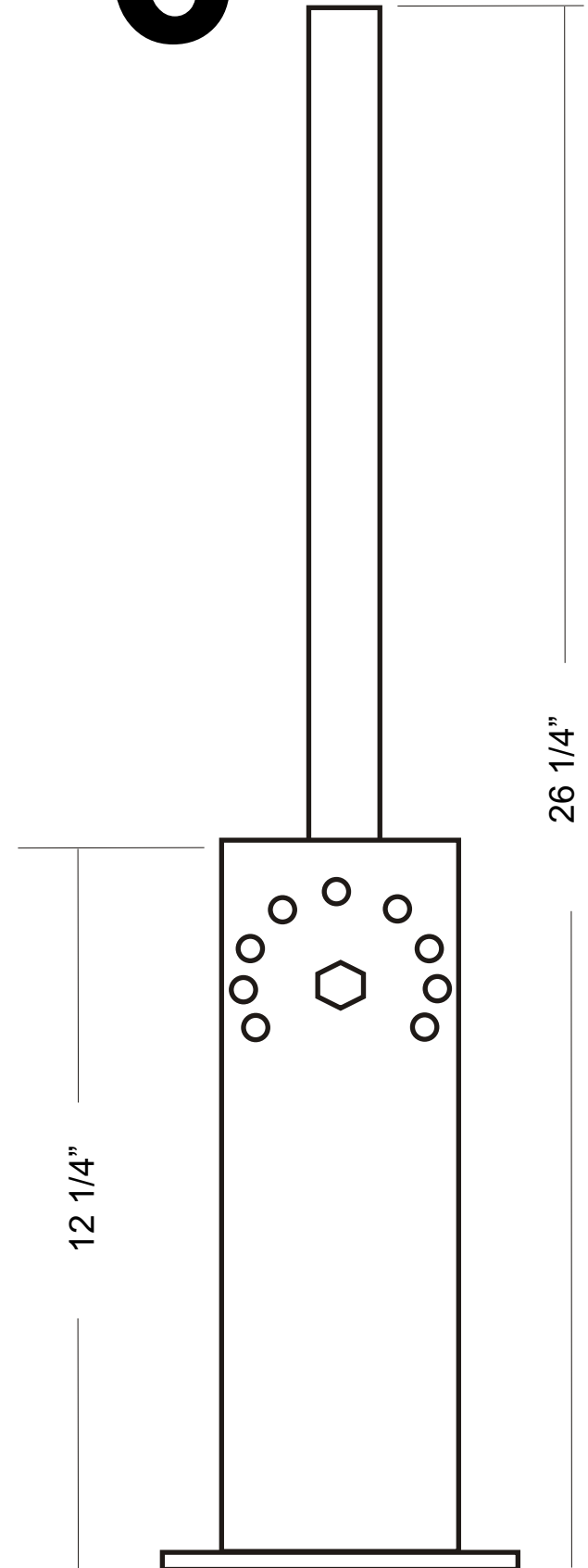
All Holes 3/8"



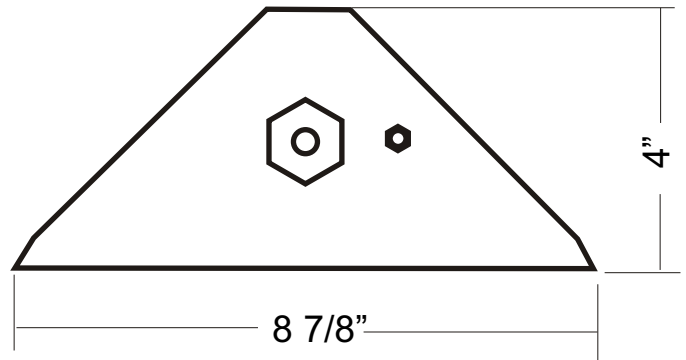
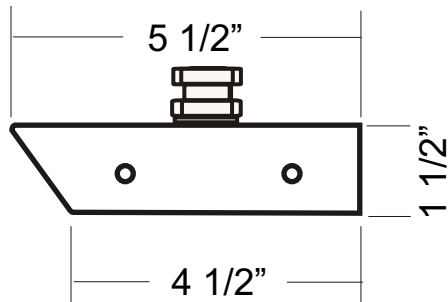
MT-6



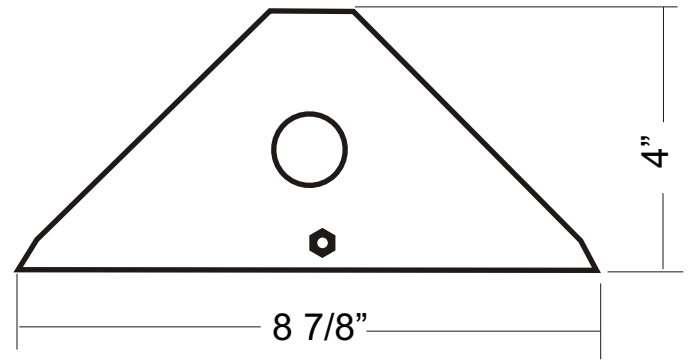
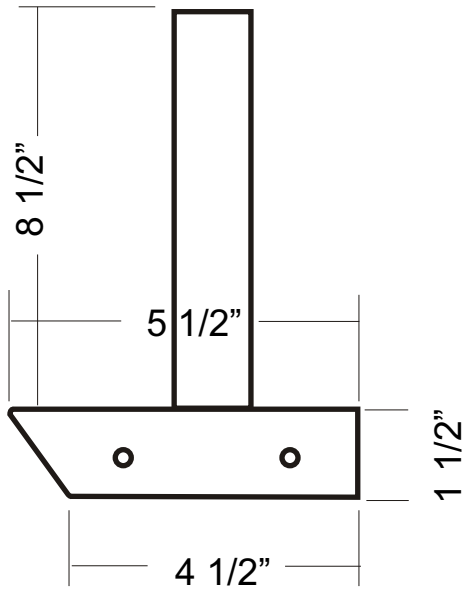
All Holes 3/8"



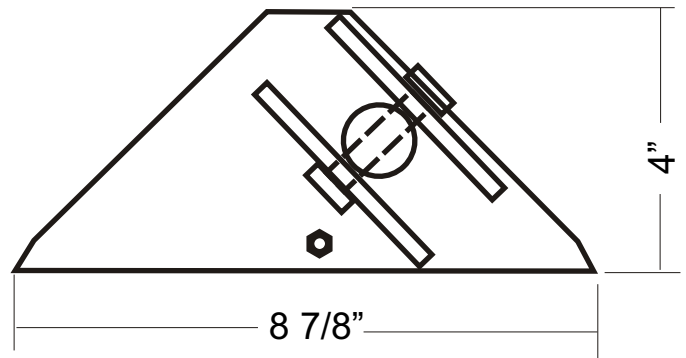
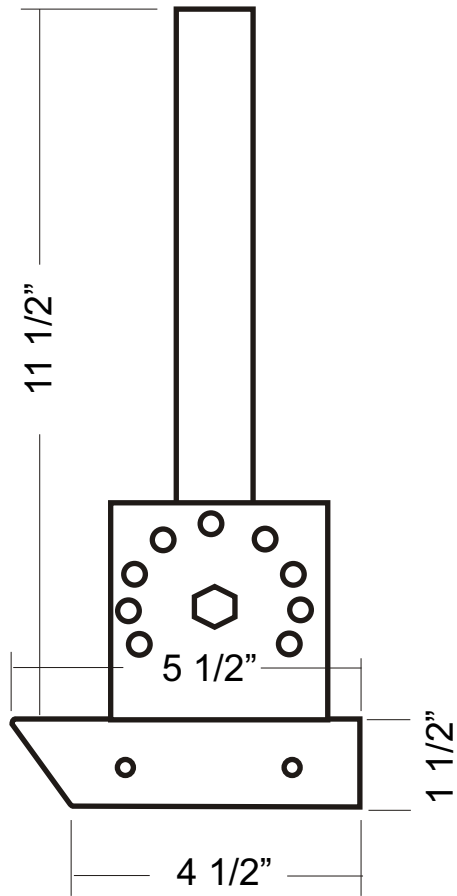
MT-7



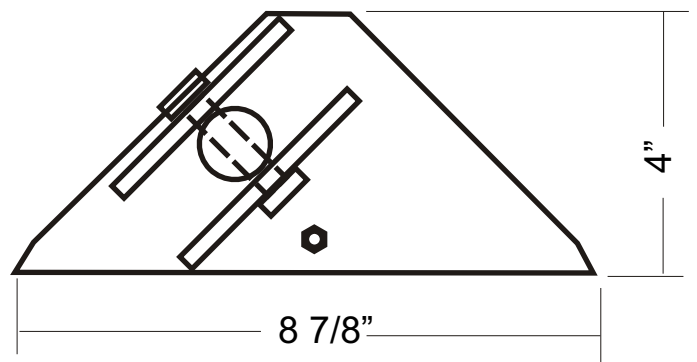
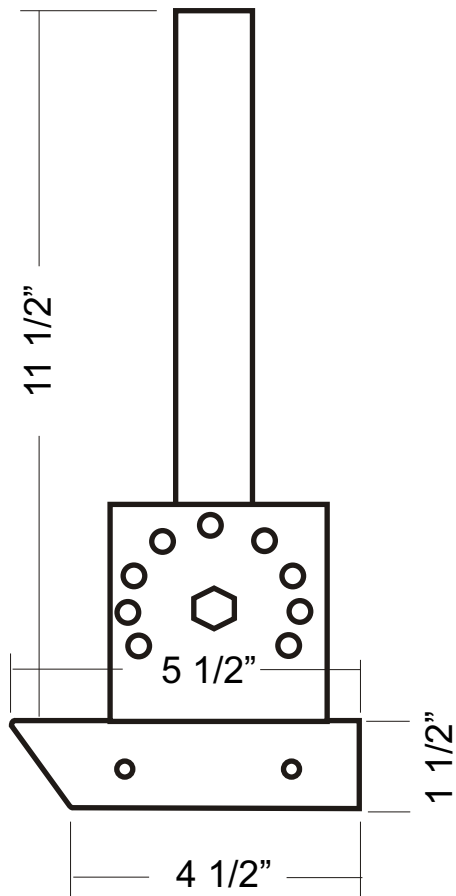
MT-7P



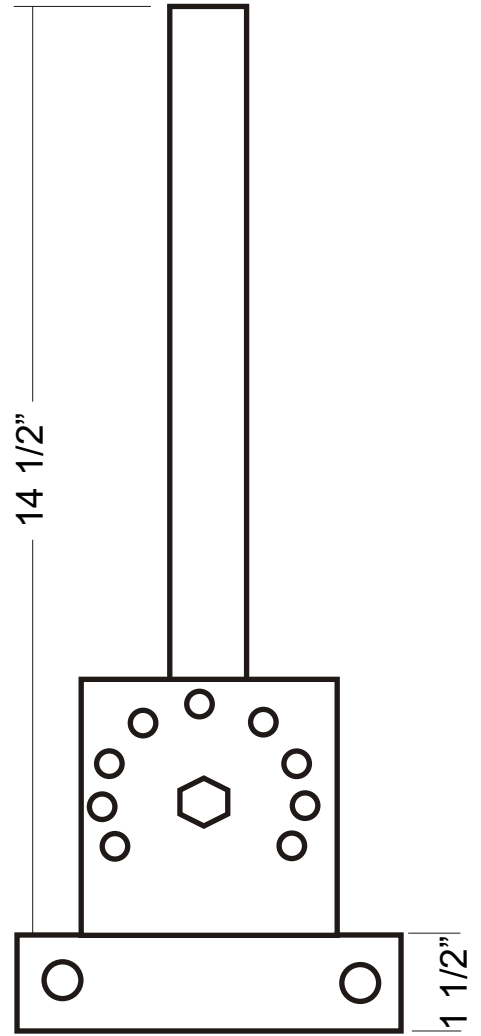
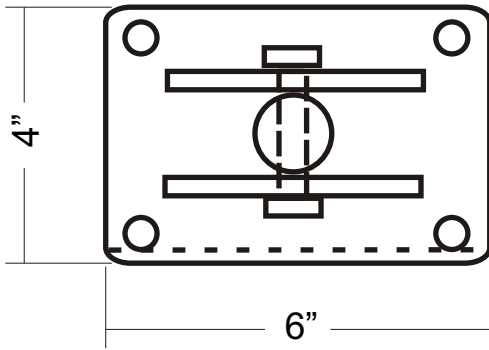
MT-7FBP



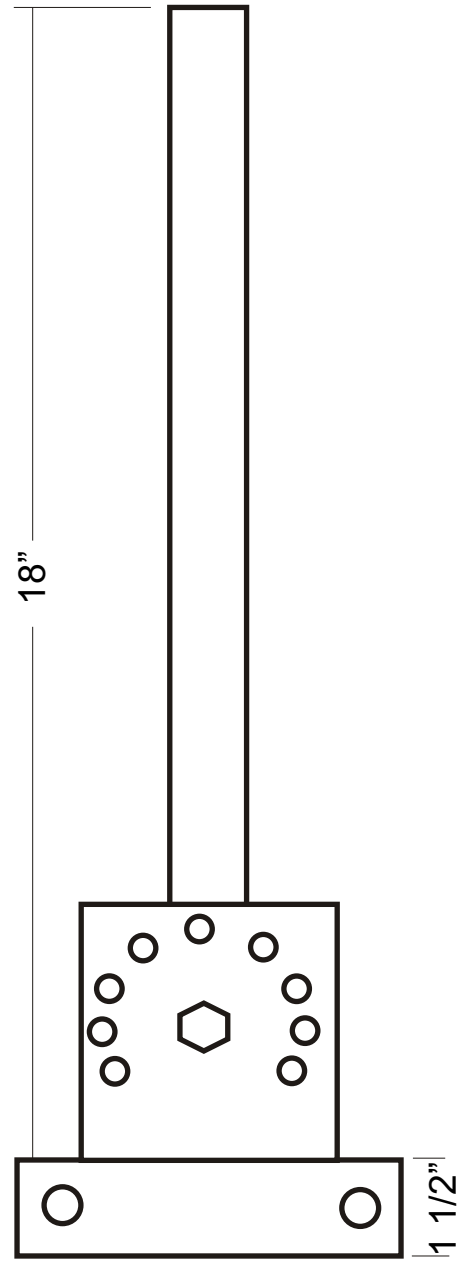
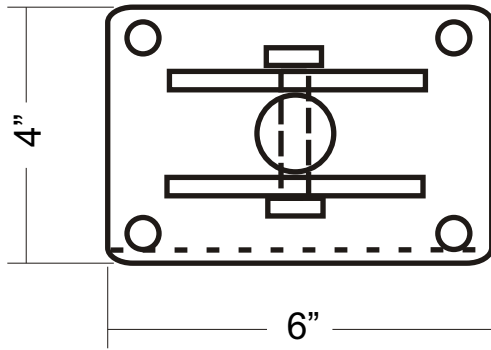
MT-7FBD



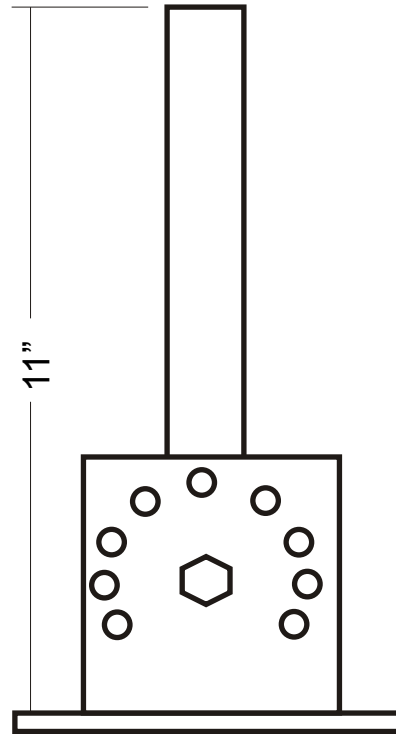
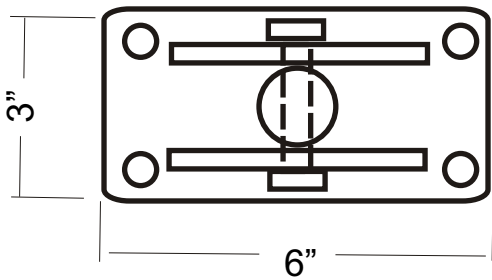
MT-10S



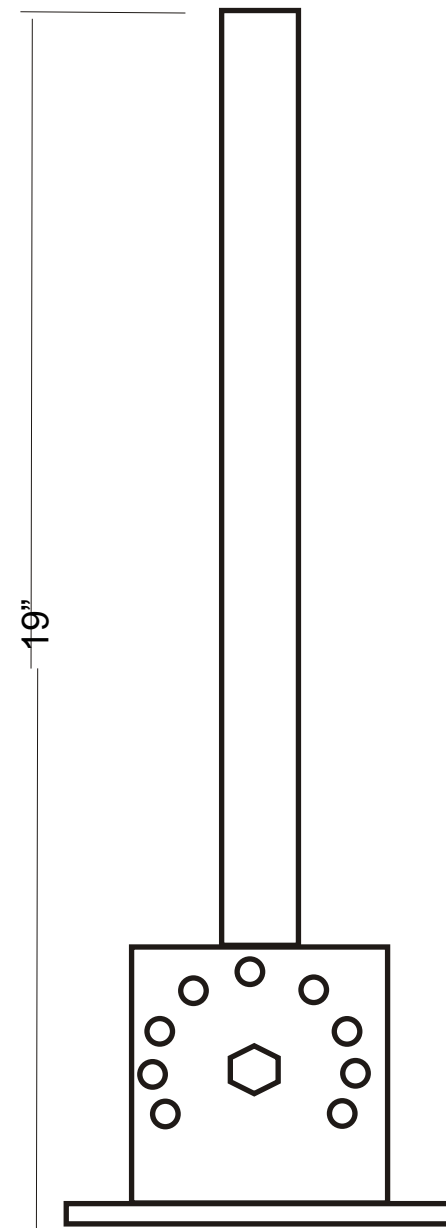
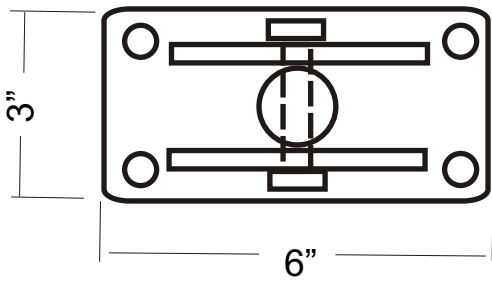
MT-10L



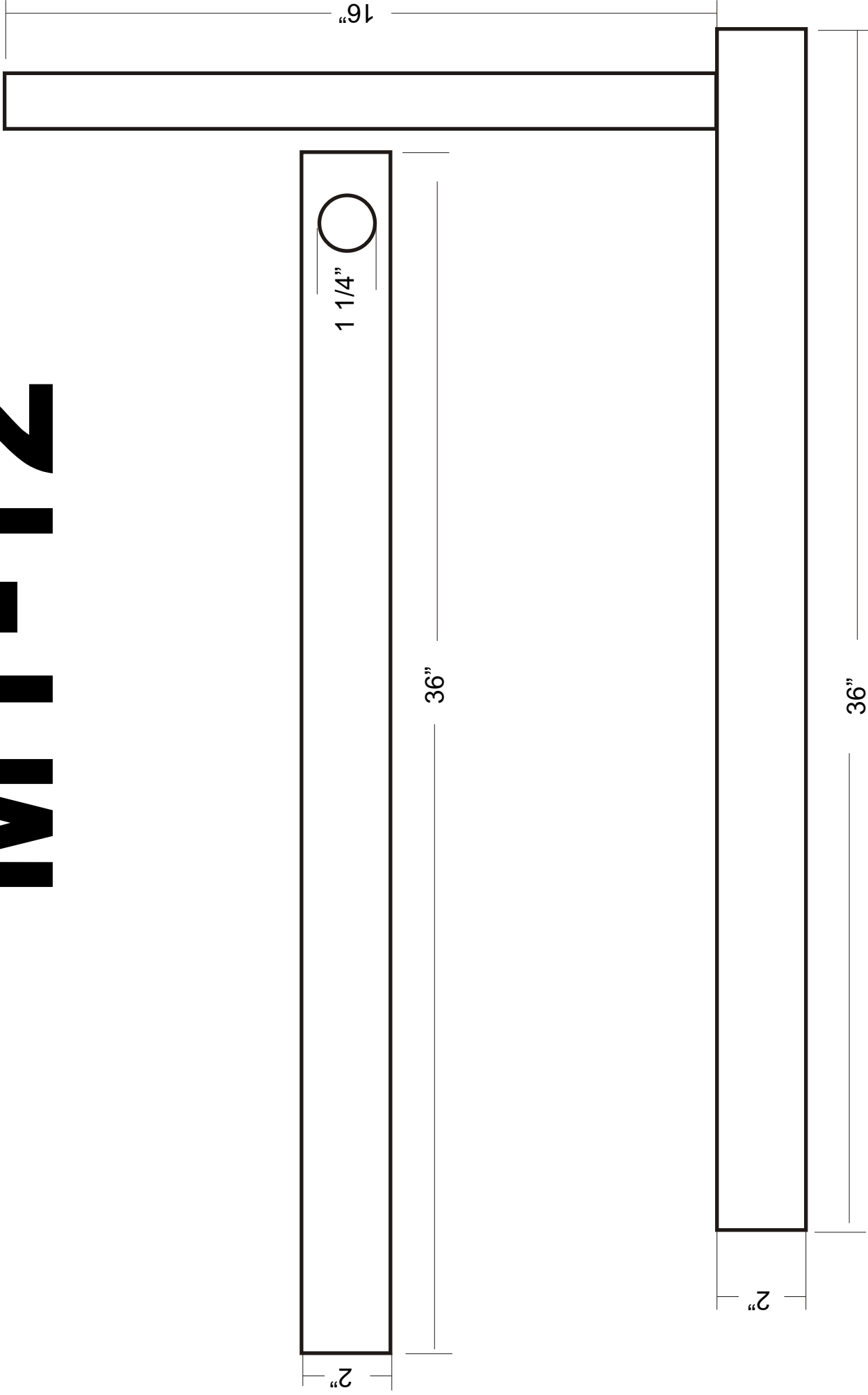
MT-11S



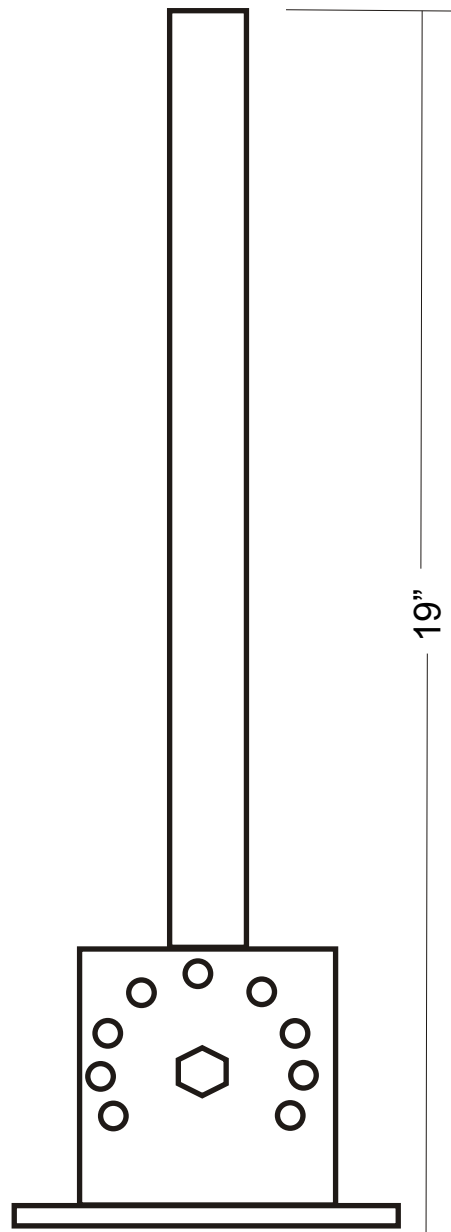
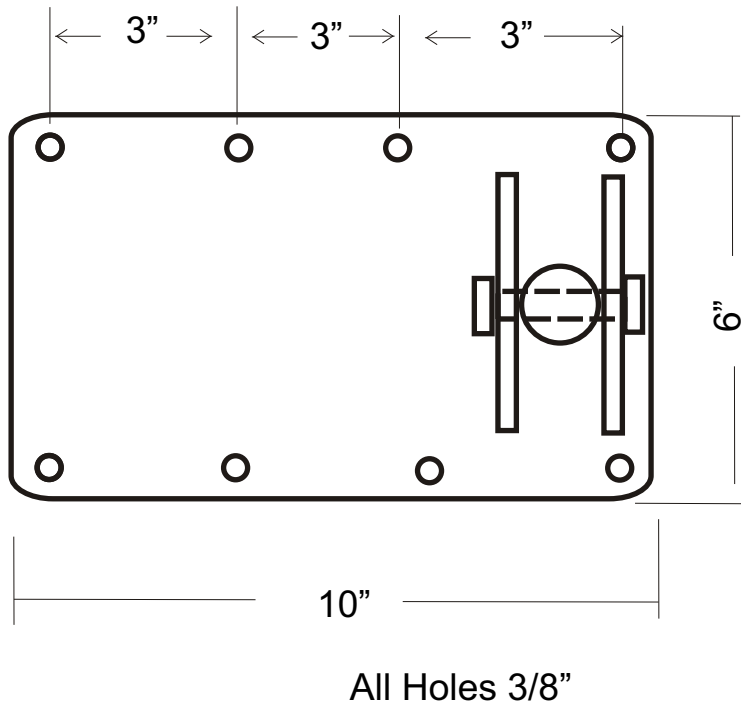
MT-11L



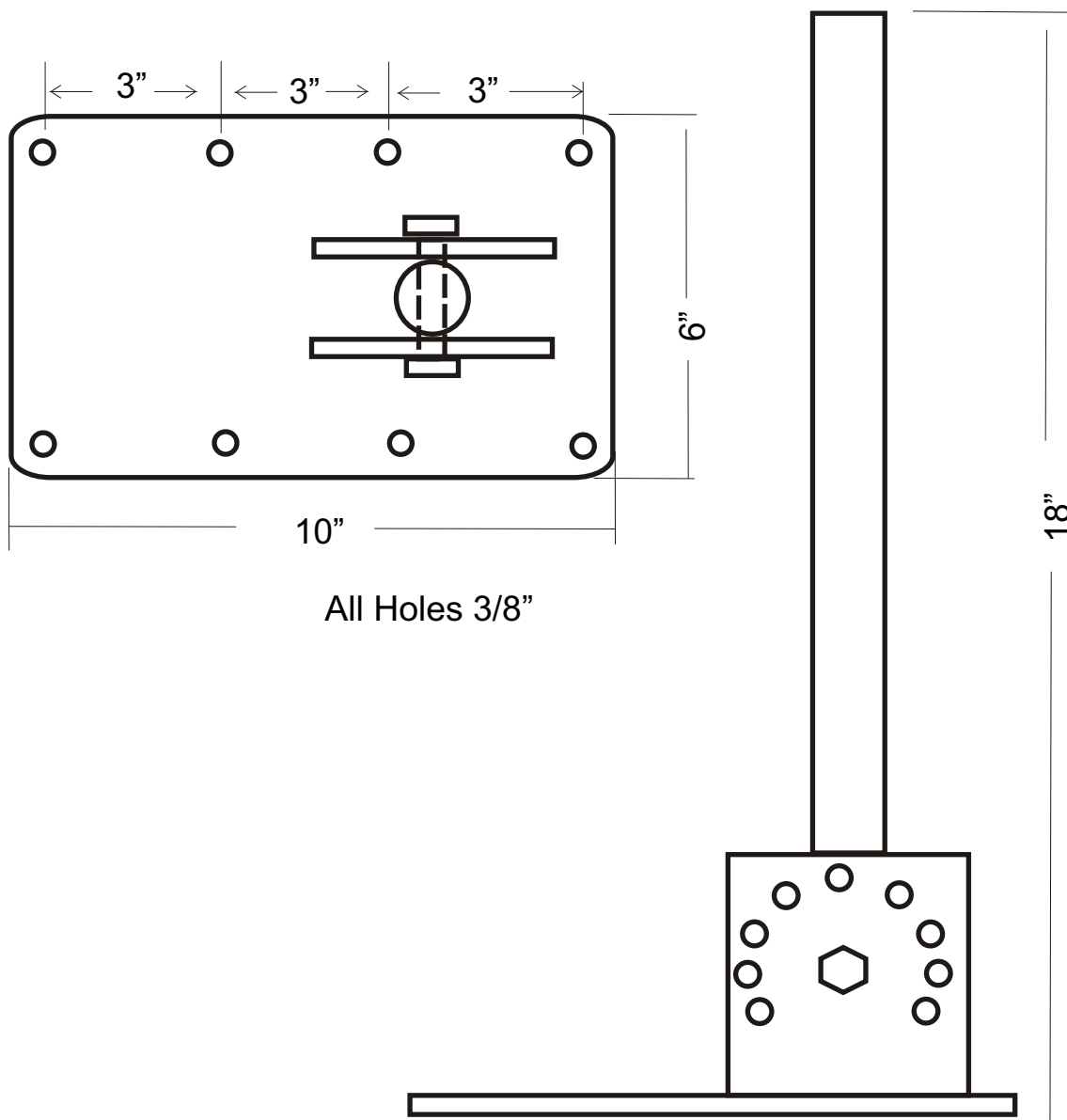
MT-12



MT-14



MT-15



Lift & Lay

