

# TELREX ANTENNA

## ASSEMBLY INSTRUCTIONS

MODEL

CMRTEL1045/10-30

SERIAL NO.

70037

PUR. DATE

3-6-84

### IMPORTANT!

WHEN REFERRING TO THIS CUSTOM-BUILT TELREX EQUIPMENT, PLEASE SUPPLY MODEL NUMBER, SERIAL NUMBER, DATE OF PURCHASE AND FROM WHOM, SO THAT WE CAN MORE EFFECTIVELY HANDLE YOUR INQUIRY.

### NOTE:

TO HELP PRESERVE ELECTRICAL CONTINUITY, ONLY TELREX ANTI-SEIZE (ANTI-CORROSIVE) COMPOUND (NO OTHER) SHOULD BE APPLIED TO ALL ALUMINUM TUBING MATING SECTIONS. THIS IS CONTAINED IN THE ENCLOSED ROUND PILL BOX. WARNING! DO NOT USE IT ON INSULATORS OR ACROSS ELECTRICAL CONNECTIONS.

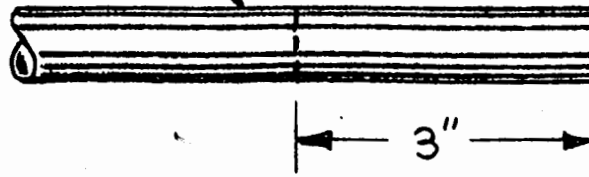
ANTENNAS  
SINCE 1921

Communication and TV Antennas  
**telrex** LABORATORIES

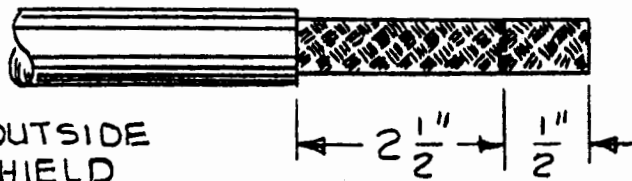
ASBURY PARK NEW JERSEY, U.S.A.

# INSTRUCTIONS FOR PREPARATION OF COAXIAL LEAD IN LINE

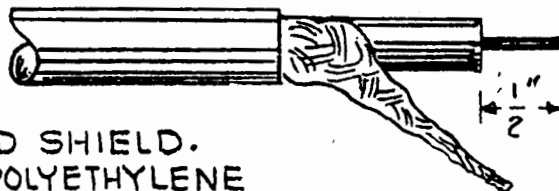
52Ω RG-8/U, 14/U OR 17/U



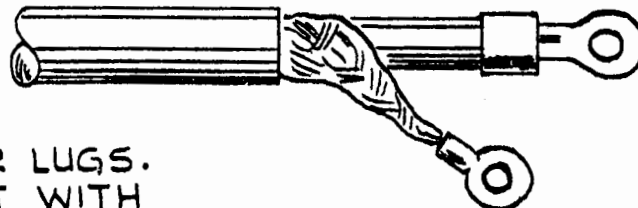
STRIP OFF 3" OF OUTSIDE  
JACKET COVERING SHIELD



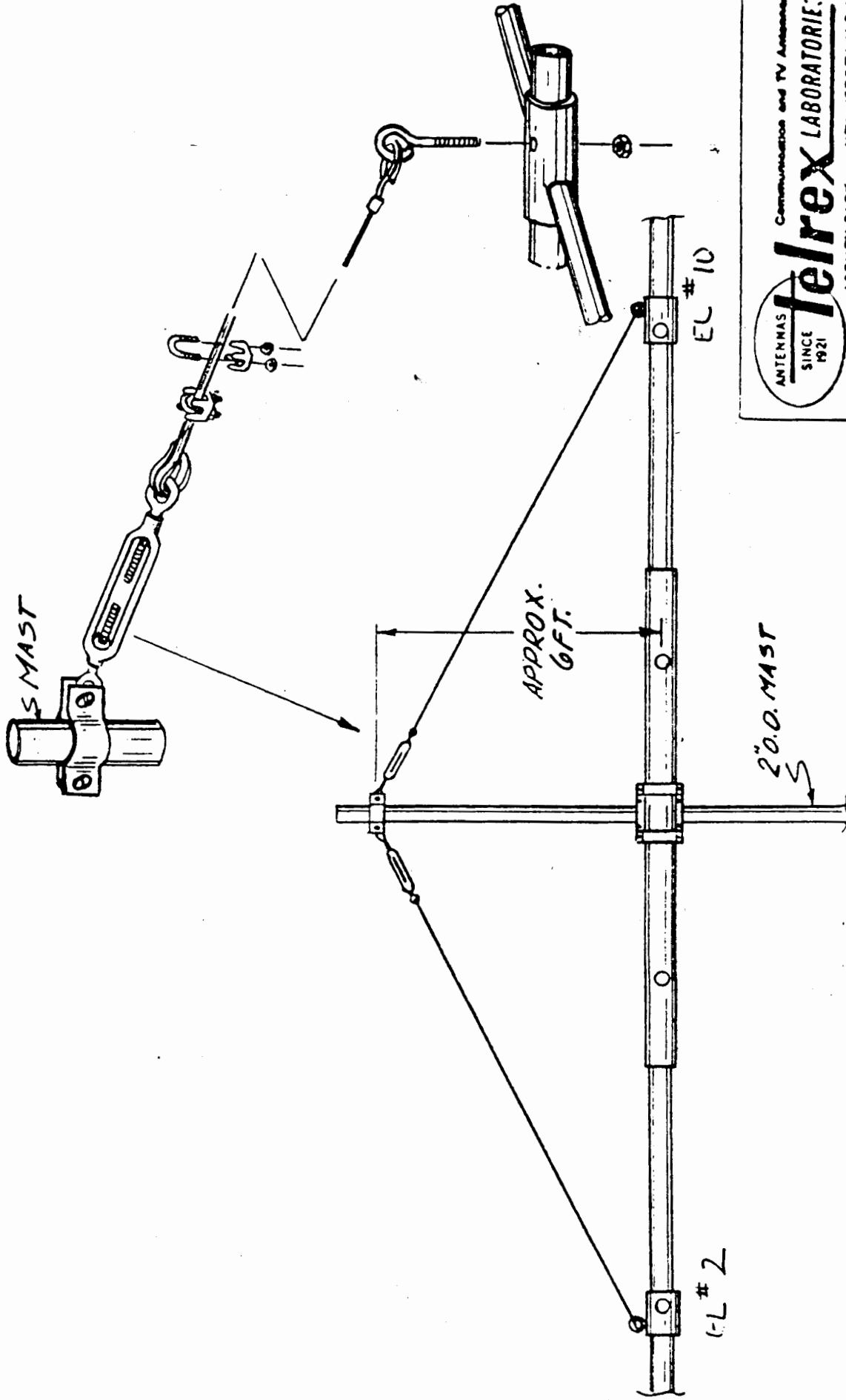
COMB OUT AND BRAID SHIELD.  
STRIP OFF 1/2" OF POLYETHYLENE  
COVERING CENTER CONDUCTOR



SOLDER ON SOLDER LUGS.  
TAPE AND/OR COAT WITH  
KRYLON OR EQUAL FOR  
WEATHER PROTECTION.



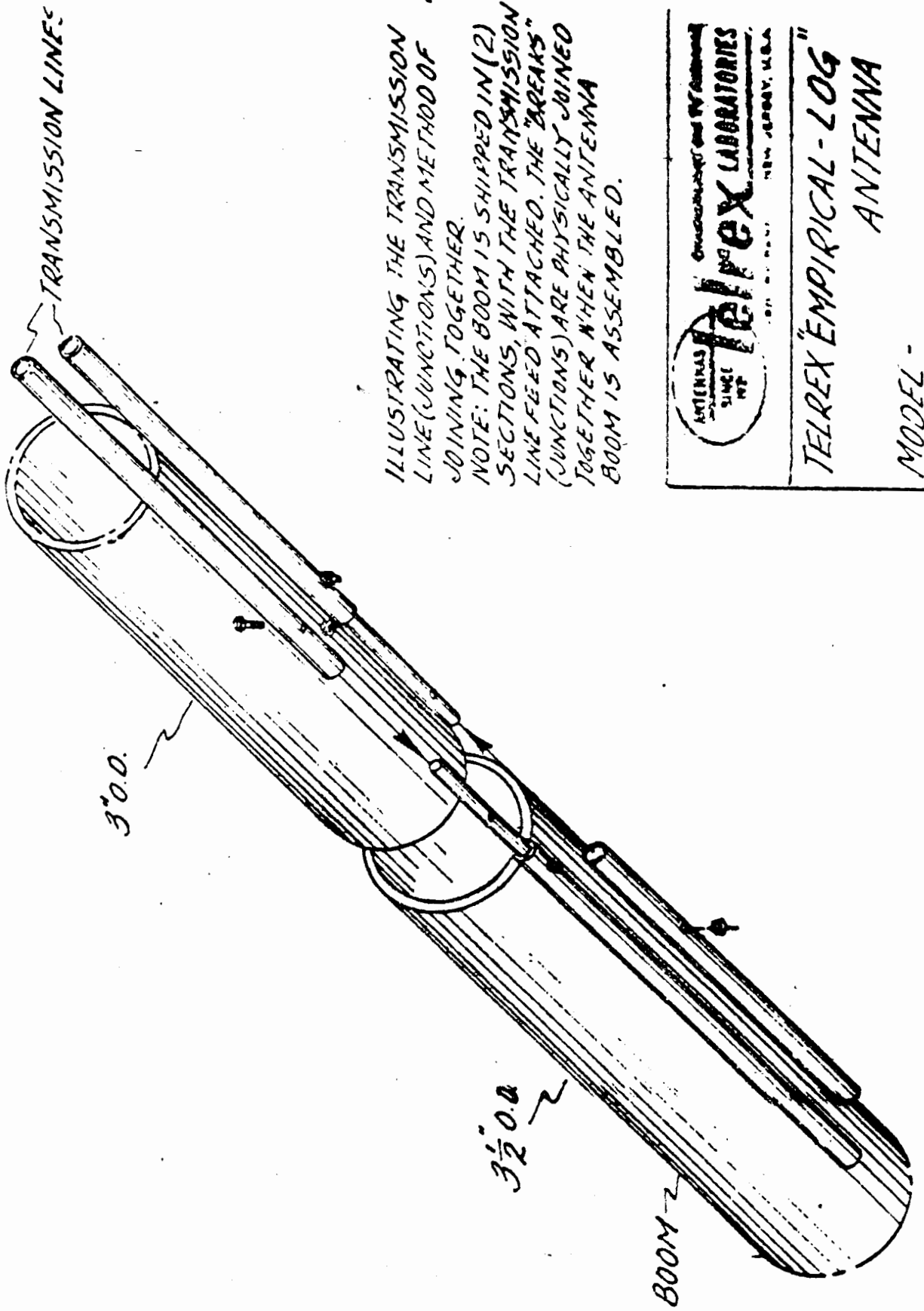
*telrex* LABS  
ASBURY PARK N.J. U.S.A



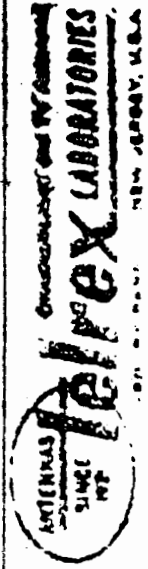
ANTENNAS SINCE 1921  
**Telrex** LABORATORIES  
 COMMUNICATIONS and TV ANTENNAS  
 ABBURY PARK NEW JERSEY, U.S.A.

STRUT ASSEMBLY  
 MODEL .

DRWG NO-C721204R6



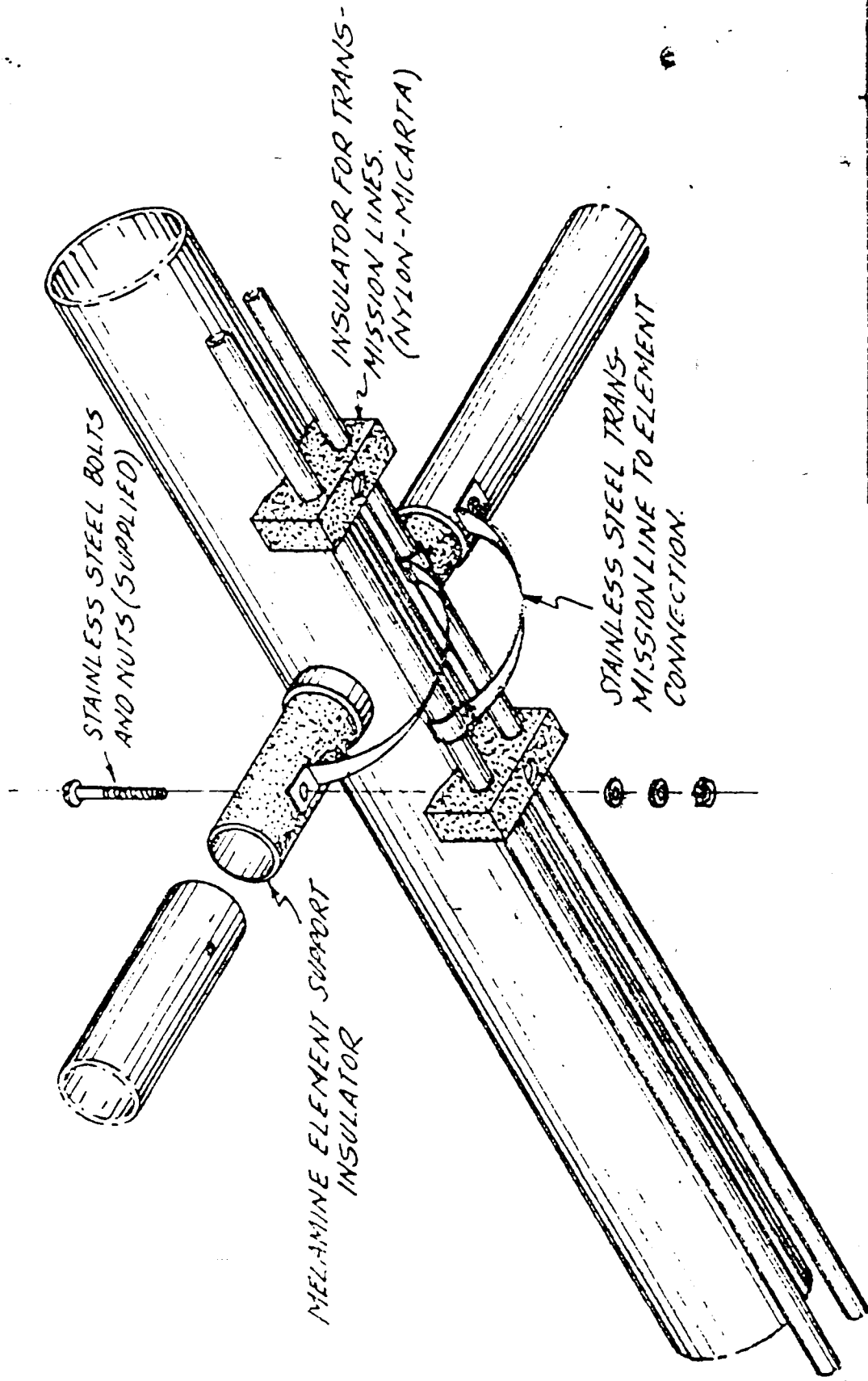
ILLUSTRATING THE TRANSMISSION LINE (JUNCTIONS) AND METHOD OF JOINING TOGETHER.  
 NOTE: THE BOOM IS SHIPPED IN (2) SECTIONS, WITH THE TRANSMISSION LINE FEED ATTACHED. THE "BREAKS" (JUNCTIONS) ARE PHYSICALLY JOINED TOGETHER WHEN THE ANTENNA BOOM IS ASSEMBLED.



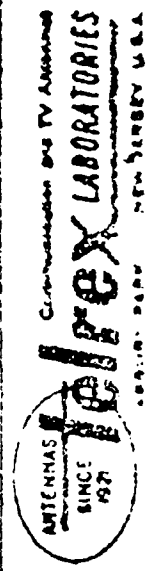
TELREX "EMPIRICAL-LOG" ANTENNA

MODEL -

DRWG. NO. - 886 8250-4AR



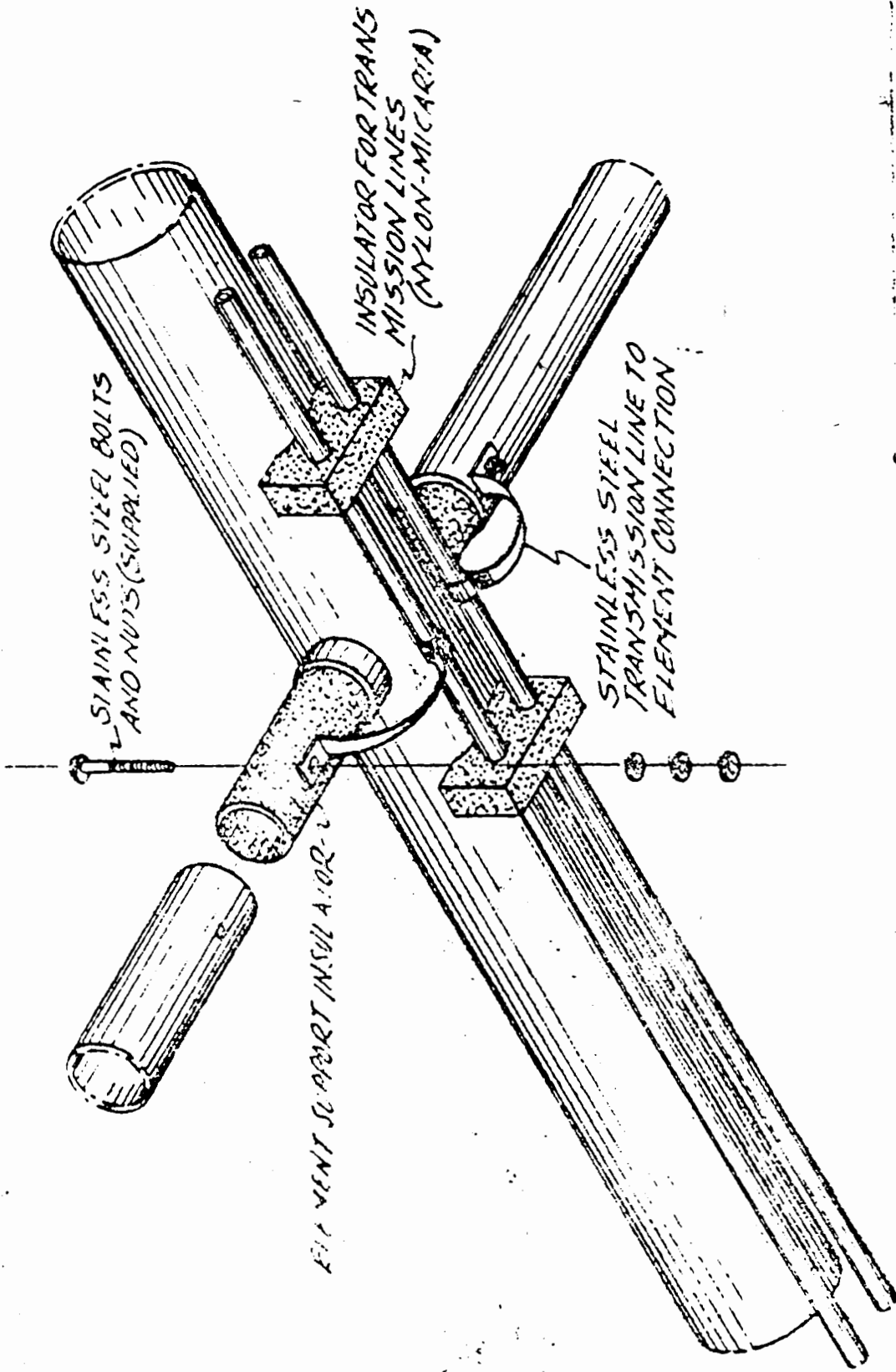
ILLUSTRATING - THE S/S STRAPS WHICH  
 TRANSPOSE THE ELEMENTS TO THE  
 TRANSMISSION LINE TUBING ON ODD  
 NUMBERED ELEMENTS #1, 3, 5  
 (SEE PRINT #0668250-1CE.)



TELREX "EMPIRICAL-LOG"  
 ANTENNA

MODEL -

DRWG NO. - 0668250-2AR



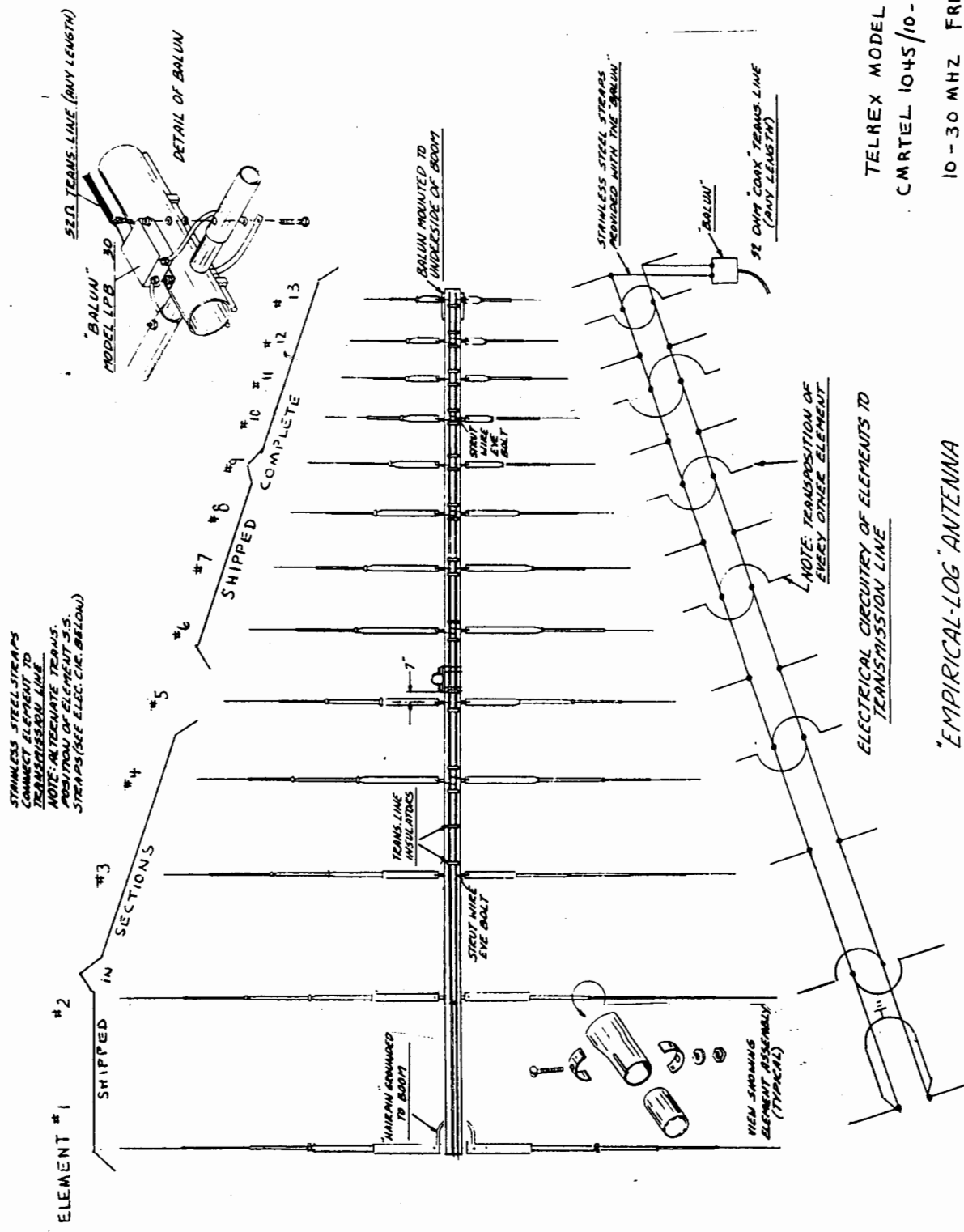
ANTENNAS SINCE 1925  
**TELREX** LABORATORIES  
 CORPORATION 401 IV AVENUE  
 NEW YORK 17, N.Y. U.S.A.

TELREX "EMPIRICAL-LOG"  
 ANTENNA

MODEL -

DRAWING NO. - 0668250-3AR

ILLUSTRATING - THE S/S STRAPS WHICH CONNECT TO THE EVEN NUMBERED ELEMENTS, WITHOUT TRANSPORTING, ON ALL EVEN # ELEMENTS, #2, 4, (SEE PRINT # 0668250-1 CE.



TELREX MODEL,  
CMRTEL 1045/10-30  
10-30 MHZ FREQ

"EMPIRICAL-LOG" ANTENNA