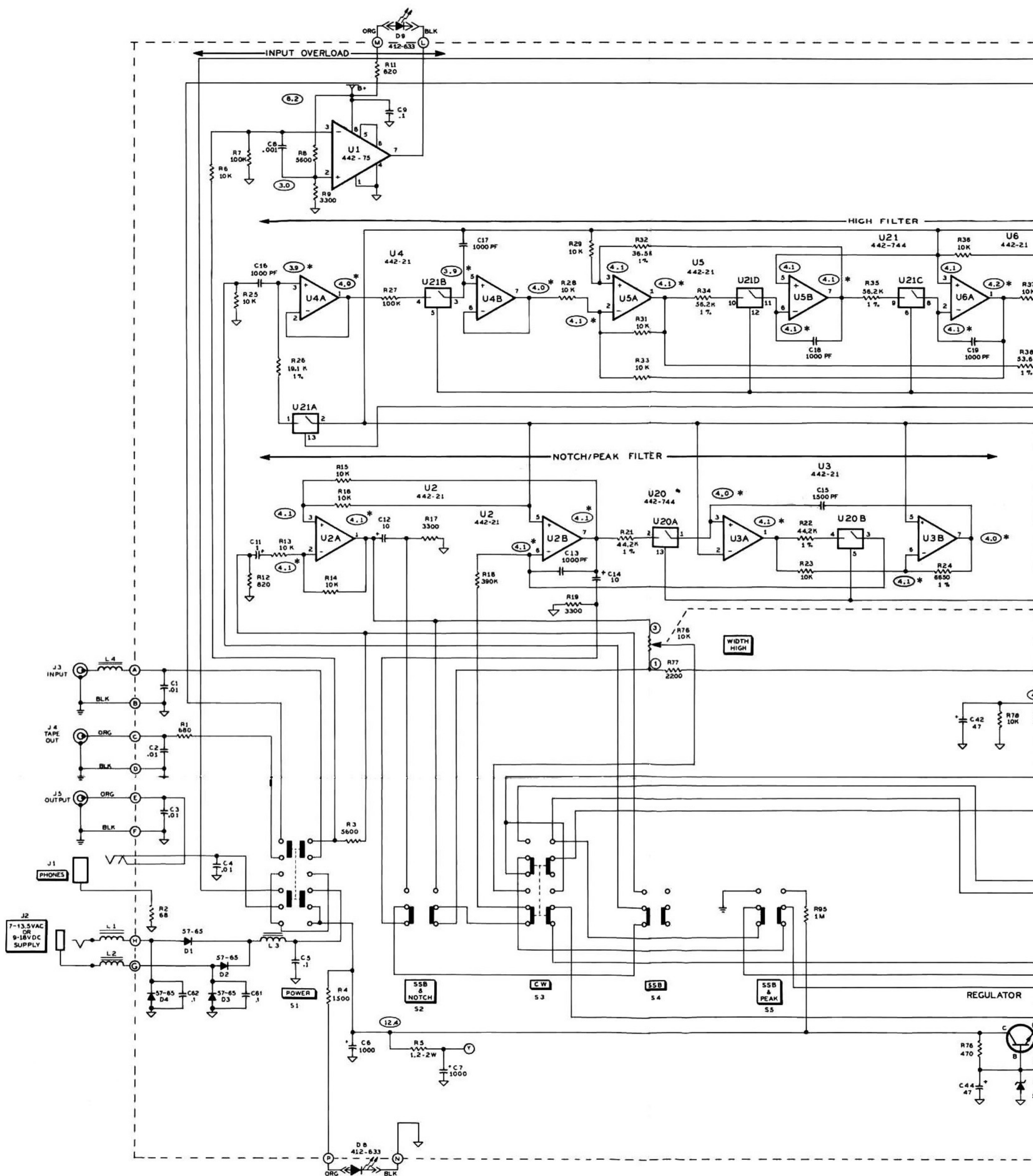
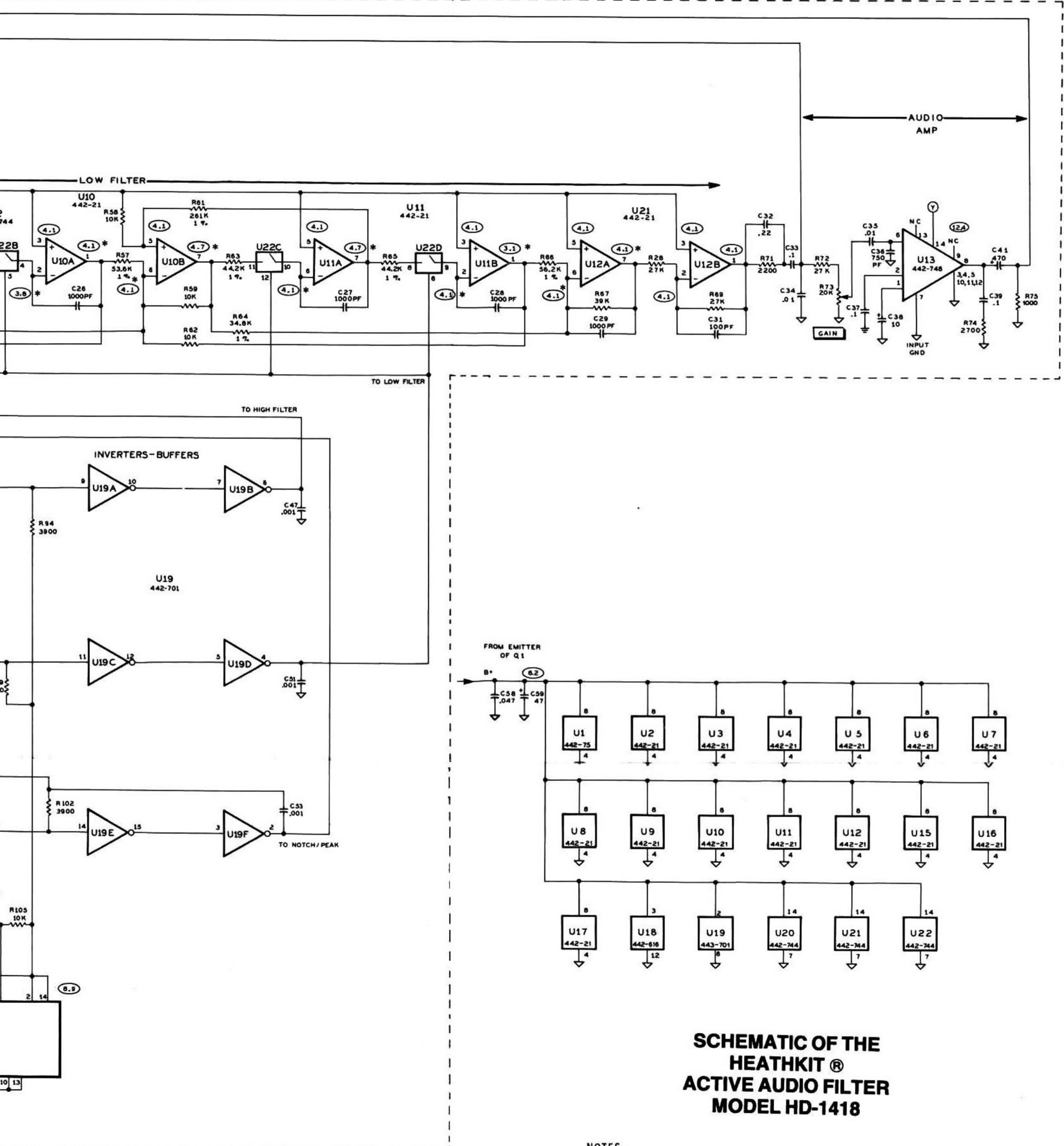


**SCHEMATIC OF THE
HEATHKIT®
ACTIVE AUDIO FILTER
MODEL HD-1418**

- NOTES:
1. ALL RESISTORS ARE 1/4-WATT, 5% UNLESS MARKED OTHERWISE. RESISTOR VALUES ARE IN OHMS (K=1,000, M=1,000,000).
 2. ALL CAPACITOR VALUES ARE IN µF (MICROFARADS) UNLESS MARKED IN PF (PICOFARADS).
 3. ○ INDICATES A WIRE CONNECTION ON THE CIRCUIT BOARD.
 4. ⊥ INDICATES A CHASSIS GROUND.
 5. ⊕ INDICATES A CIRCUIT BOARD GROUND.
 6. ○ INDICATES A DC VOLTAGE (±20%) MEASURED WITH A HIGH IMPEDANCE VOLTMETER FROM THE POINT INDICATED TO CHASSIS GROUND. ALL MEASUREMENTS WERE TAKEN WHILE THE FILTER WAS BEING POWERED BY A 14-VOLT POWER CUBE.
 7. ALL PUSHBUTTON SWITCHES EXCEPT POWER ARE SHOWN IN THE OUT POSITION.
 8. ALL COILS ARE HAND-WOUND. (VALUES ARE NOT GIVEN).
- * THESE VOLTAGES MAY VARY WITH DIFFERENT SWITCH AND CONTROL SETTINGS.





**SCHEMATIC OF THE
HEATHKIT®
ACTIVE AUDIO FILTER
MODEL HD-1418**

NOTES:

1. ALL RESISTORS ARE 1/4-WATT, 5% UNLESS MARKED OTHERWISE. RESISTOR VALUES ARE IN OHMS (K=1,000, M=1,000,000).
2. ALL CAPACITOR VALUES ARE IN μ F (MICROFARADS) UNLESS MARKED IN PF (PICOFARADS).
3. ○ INDICATES A WIRE CONNECTION ON THE CIRCUIT BOARD.
4. ⊥ INDICATES A CHASSIS GROUND.
5. ↓ INDICATES A CIRCUIT BOARD GROUND.
6. ○ INDICATES A DC VOLTAGE ($\pm 20\%$) MEASURED WITH A HIGH IMPEDANCE VOLTMETER FROM THE POINT INDICATED TO CHASSIS GROUND. ALL MEASUREMENTS WERE TAKEN WHILE THE FILTER WAS BEING POWERED BY A 14-VOLT POWER CUBE.
7. ALL PUSHBUTTON SWITCHES EXCEPT POWER ARE SHOWN IN THE OUT POSITION.
8. ALL COILS ARE HAND-WOUND. (VALUES ARE NOT GIVEN).
- * THESE VOLTAGES MAY VARY WITH DIFFERENT SWITCH AND CONTROL SETTINGS.