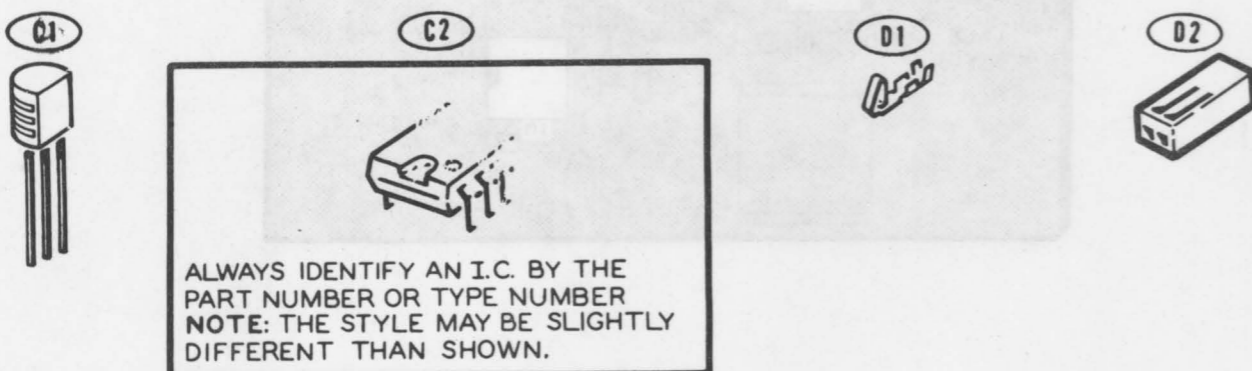
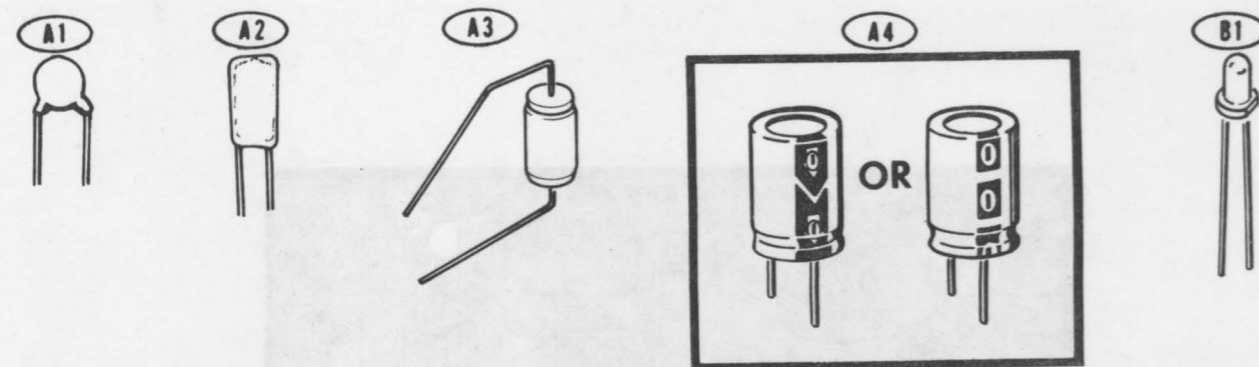
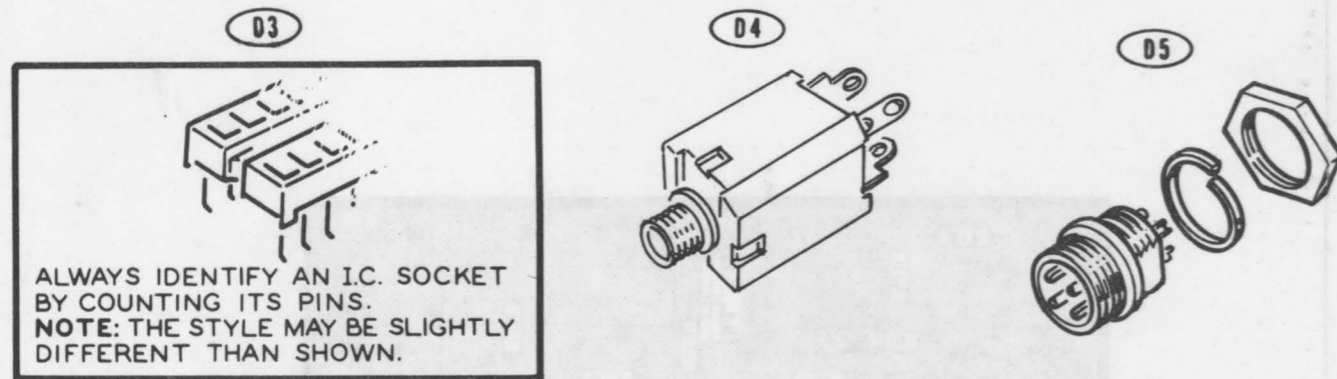


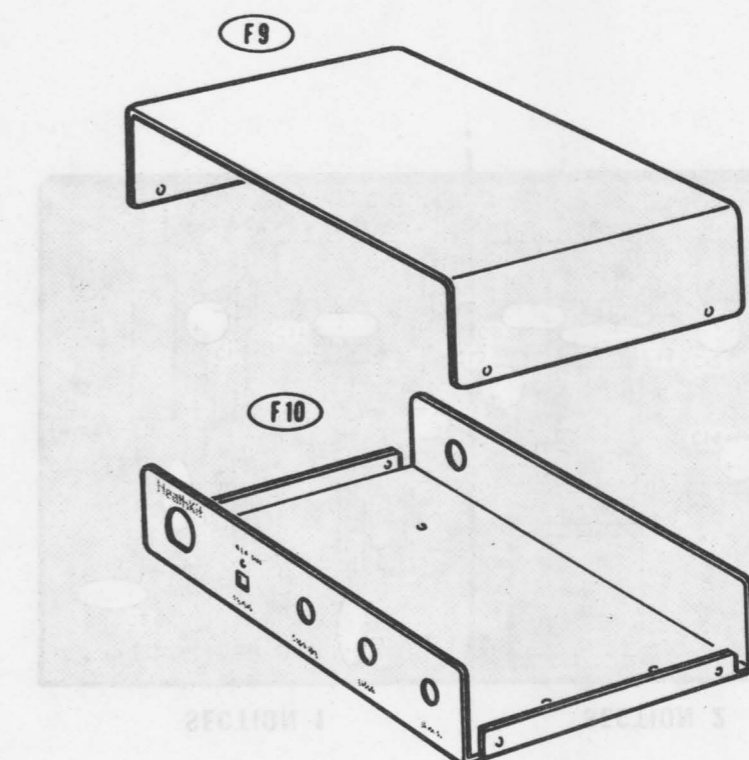
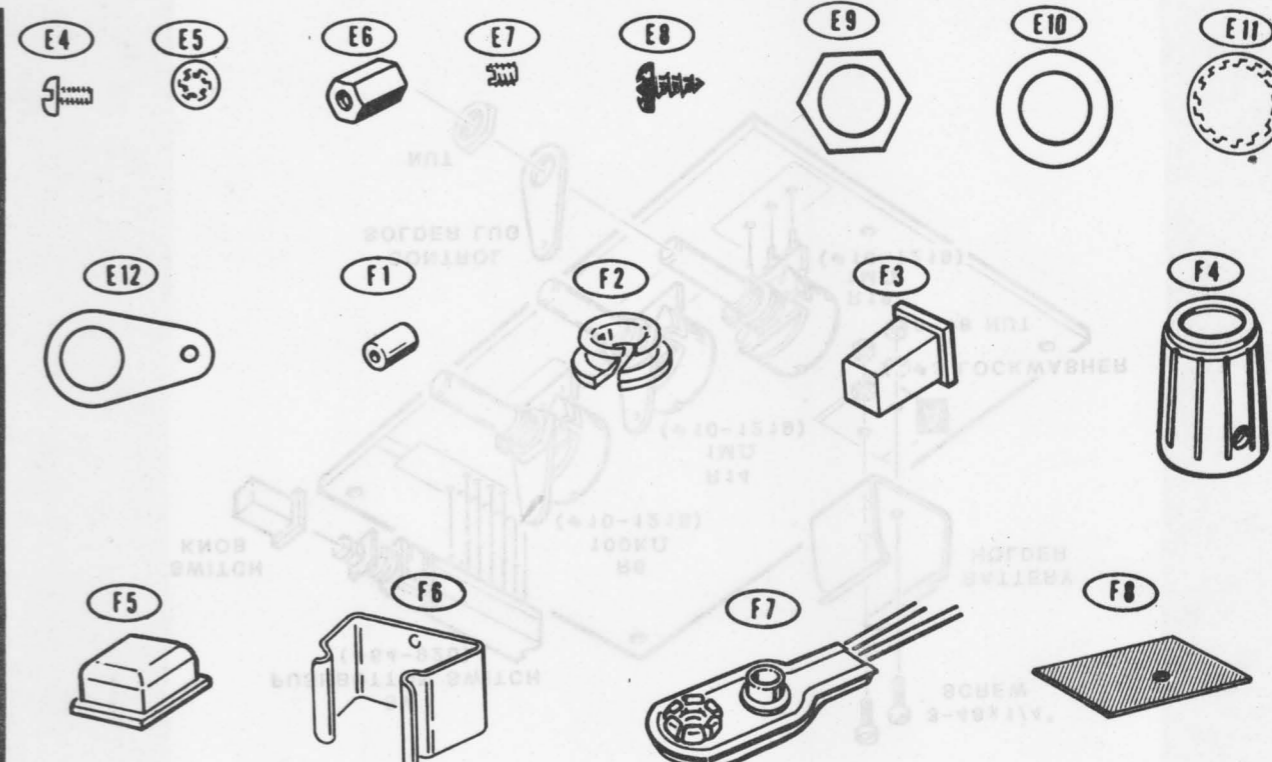
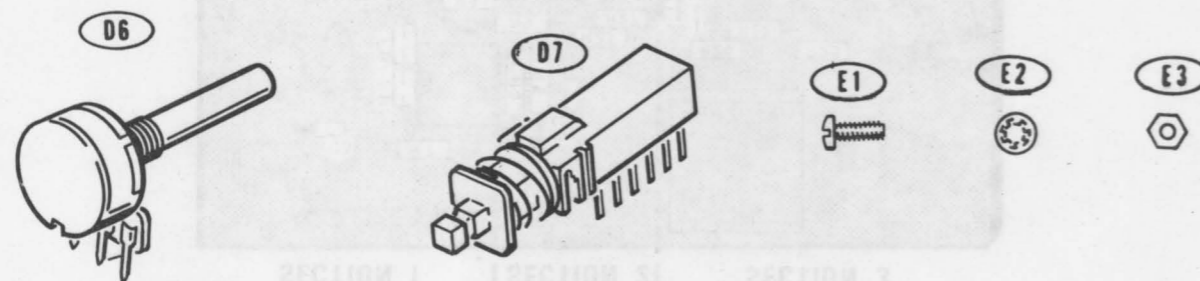
ILLUSTRATION BOOKLET



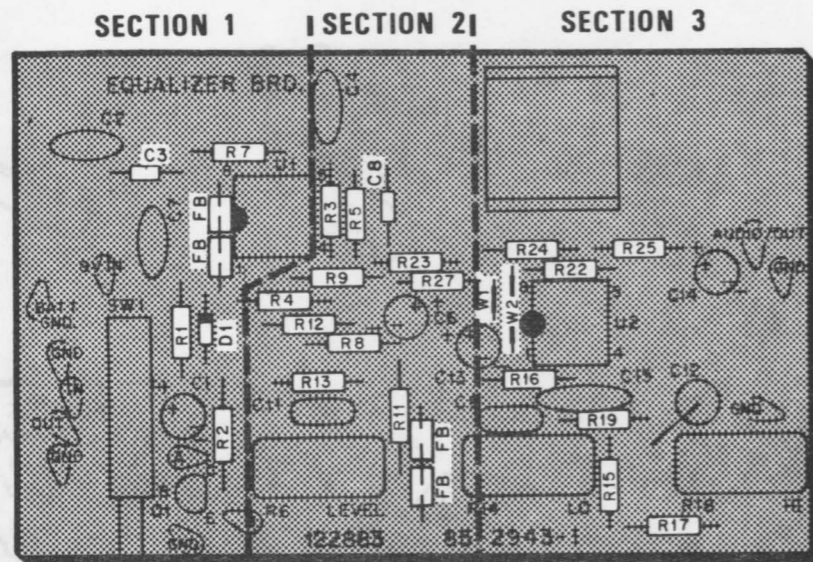
ALWAYS IDENTIFY AN I.C. BY THE PART NUMBER OR TYPE NUMBER
NOTE: THE STYLE MAY BE SLIGHTLY DIFFERENT THAN SHOWN.



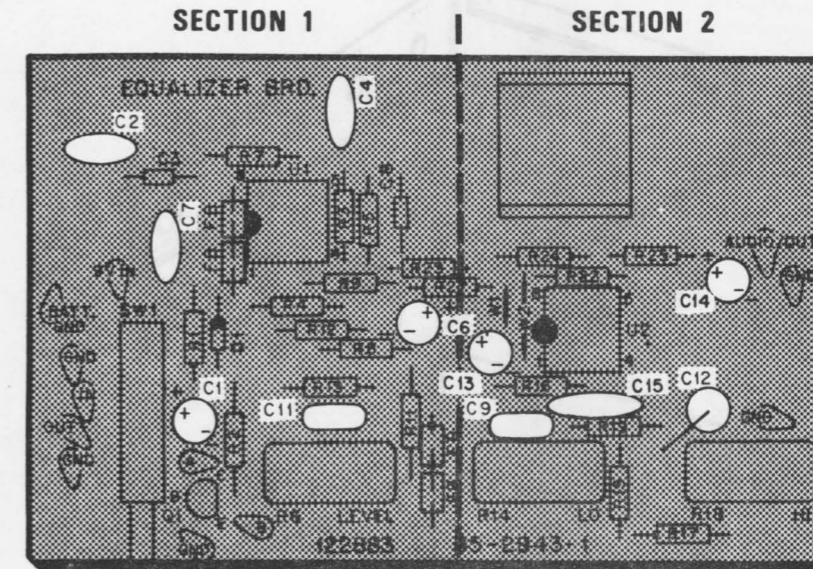
ALWAYS IDENTIFY AN I.C. SOCKET BY COUNTING ITS PINS.
NOTE: THE STYLE MAY BE SLIGHTLY DIFFERENT THAN SHOWN.



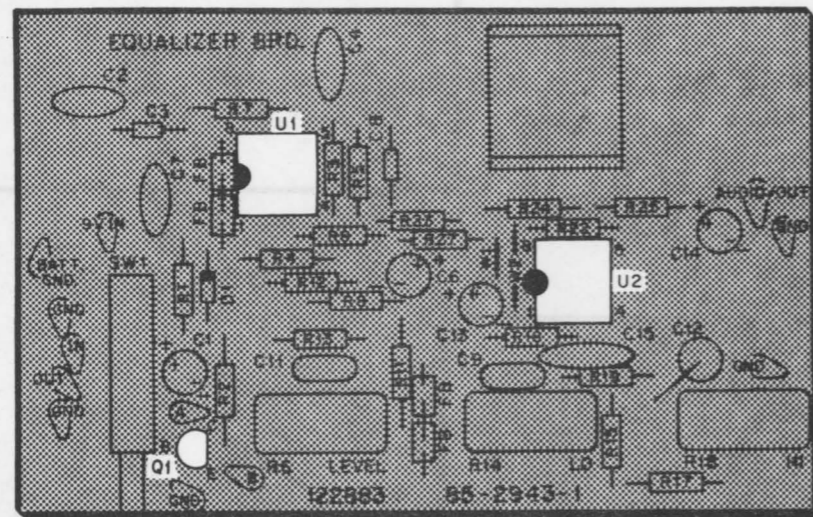
Model HD-1986



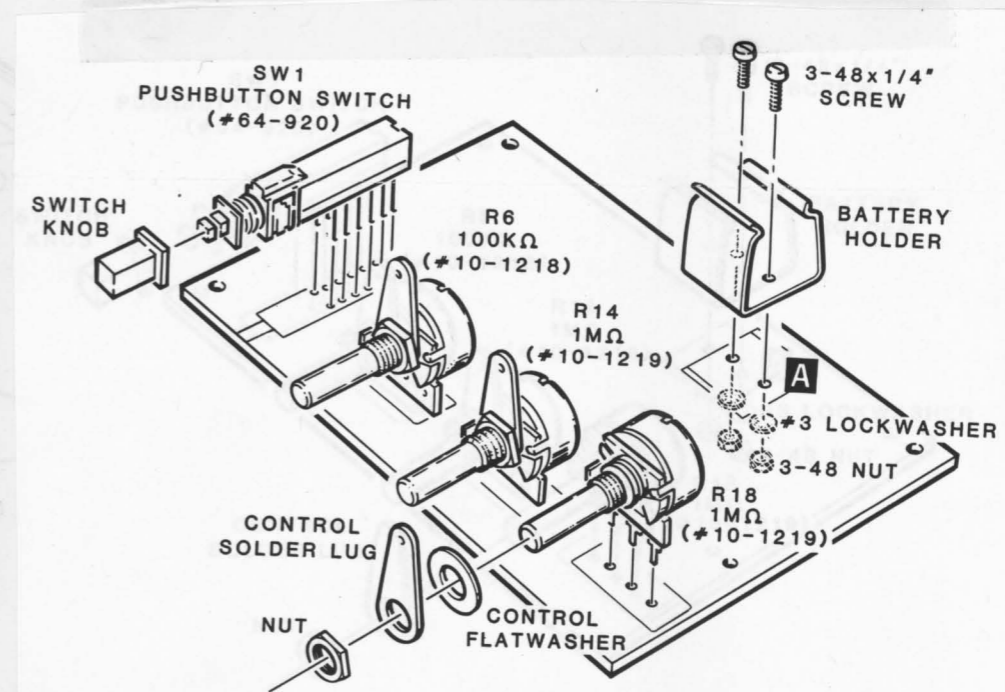
PICTORIAL 1-1



PICTORIAL 1-3

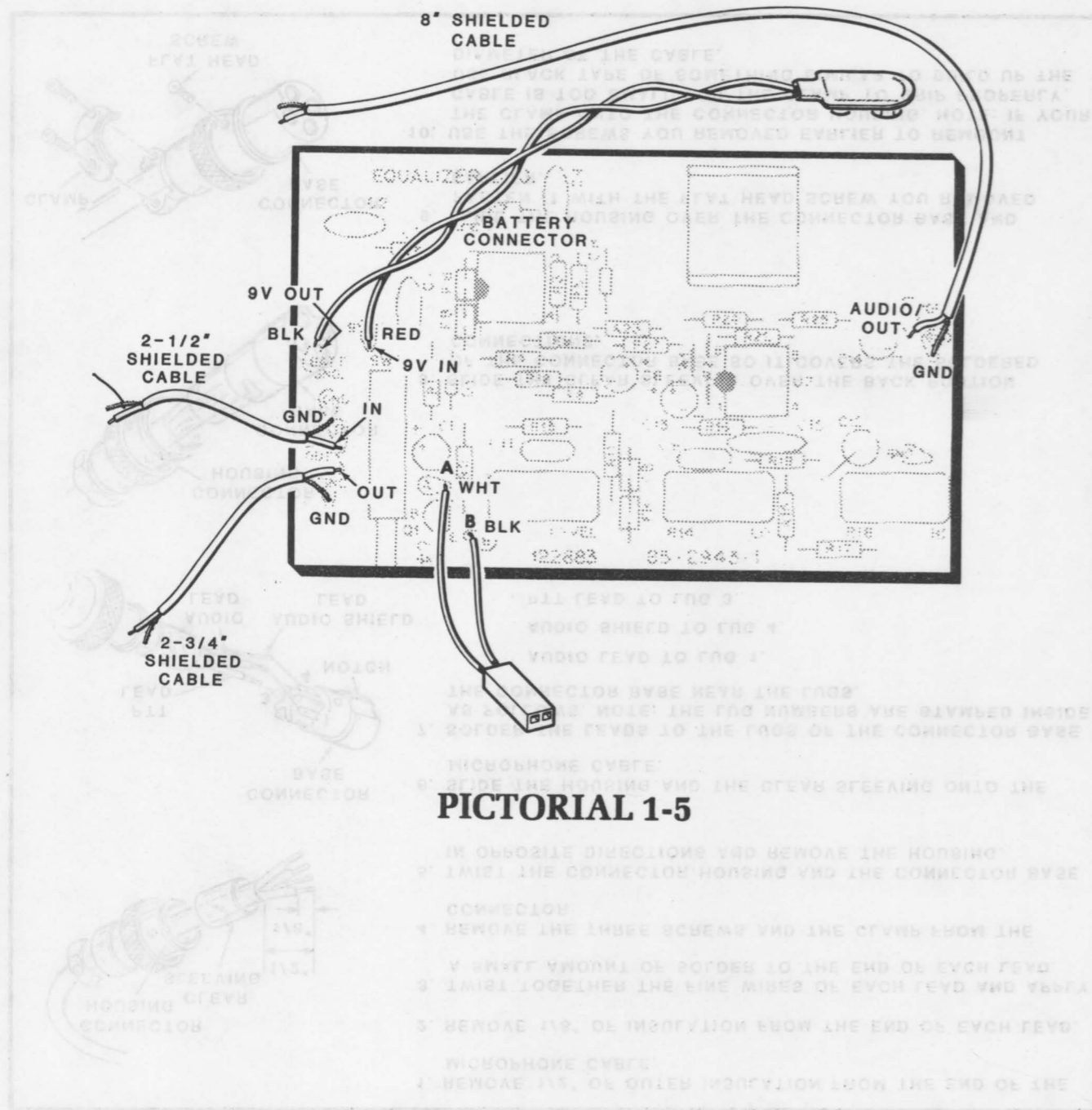


PICTORIAL 1-2



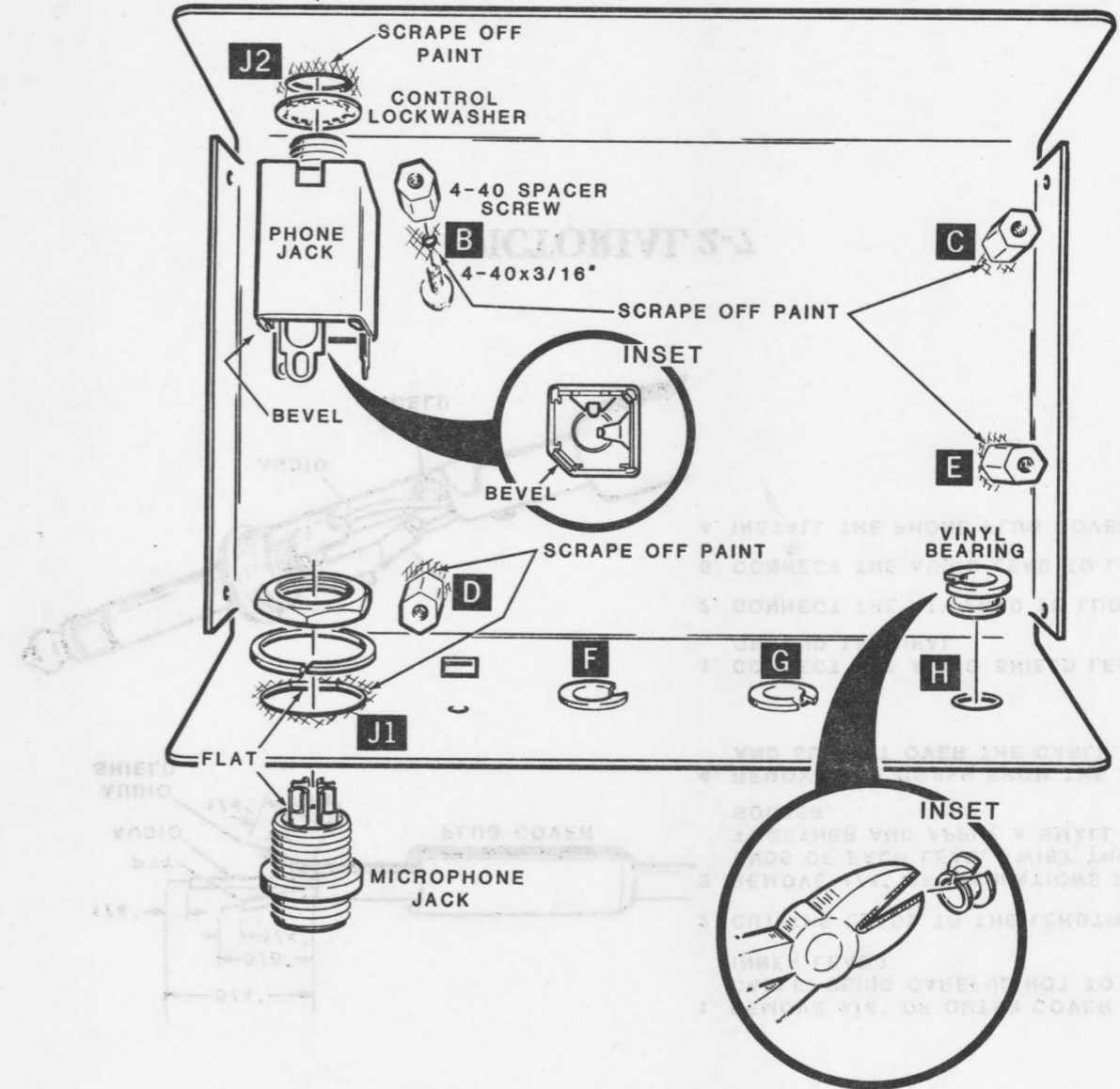
PICTORIAL 1-4

PICTORIAL 1-5



PICTORIAL 1-5

- CONTROL NUT
- CONTROL FLAT WASHER



PICTORIAL 2-1

1. REMOVE 1/2" OF OUTER INSULATION FROM THE END OF THE MICROPHONE CABLE.
2. REMOVE 1/8" OF INSULATION FROM THE END OF EACH LEAD.
3. TWIST TOGETHER THE FINE WIRES OF EACH LEAD AND APPLY A SMALL AMOUNT OF SOLDER TO THE END OF EACH LEAD.
4. REMOVE THE THREE SCREWS AND THE CLAMP FROM THE CONNECTOR.
5. TWIST THE CONNECTOR HOUSING AND THE CONNECTOR BASE IN OPPOSITE DIRECTIONS AND REMOVE THE HOUSING.
6. SLIDE THE HOUSING AND THE CLEAR SLEEVING ONTO THE MICROPHONE CABLE.
7. SOLDER THE LEADS TO THE LUGS OF THE CONNECTOR BASE AS FOLLOWS. NOTE: THE LUG NUMBERS ARE STAMPED INSIDE THE CONNECTOR BASE NEAR THE LUGS.
 - AUDIO LEAD TO LUG 1.
 - AUDIO SHIELD TO LUG 4.
 - PTT LEAD TO LUG 3.
8. SLIDE THE CLEAR SLEEVING OVER THE BACK PORTION OF THE CONNECTOR BASE SO IT COVERS THE SOLDERED CONNECTIONS.
9. SLIDE THE HOUSING OVER THE CONNECTOR BASE AND FASTEN IT WITH THE FLAT HEAD SCREW YOU REMOVED EARLIER.
10. USE THE SCREWS YOU REMOVED EARLIER TO REMOUNT THE CLAMP ONTO THE CONNECTOR HOUSING. NOTE: IF YOUR CABLE IS TOO SMALL FOR THE CLAMP TO GRIP PROPERLY, USE BLACK TAPE OF SOMETHING SIMILAR TO BUILD UP THE DIAMETER OF THE CABLE.

PICTORIAL 2-6

1. REMOVE 3/4" OF OUTER COVER FROM THE CABLE. BEING CAREFUL NOT TO CUT THE INNER LEADS.
2. CUT THE LEADS TO THE LENGTHS SHOWN.
3. REMOVE 1/4" OF INSULATIONS FROM THE ENDS OF EACH LEAD. TWIST THE FINE WIRES TOGETHER AND APPLY A SMALL AMOUNT OF SOLDER.
4. REMOVE THE COVER FROM THE PHONE PLUG AND SLIDE IT OVER THE CABLE.
1. CONNECT THE AUDIO SHIELD LEAD TO THE GROUND TERMINAL.
2. CONNECT THE PTT LEAD TO LUG 2.
3. CONNECT THE AUDIO LEAD TO LUG 1.
4. INSTALL THE PHONE PLUG COVER.

PICTORIAL 2-7

SCHEMATIC OF THE HEATHKIT® MODEL HD-1986 MICROLIZER

NOTES:

1. ALL RESISTORS ARE 1/4-WATT, 5% UNLESS MARKED OTHERWISE. RESISTORS VALUES ARE IN OHMS (K= 1,000,M=1,000,000).
2. ALL CAPACITOR VALUES ARE IN μ F (MICROFARADS) UNLESS MARKED IN pF (PICOFARADS).
3. ○ INDICATES A WIRE CONNECTION ON THE CIRCUIT BOARD.
4. ≡ INDICATES A CHASSIS GROUND.
5. ▽ INDICATES A CIRCUIT BOARD GROUND.
6. ○ INDICATES A DC VOLTAGE ($\pm 20\%$) MEASURED WITH A HIGH IMPEDANCE VOLTMETER FROM THE POINT INDICATED TO CHASSIS GROUND. ALL MEASUREMENTS WERE TAKEN WHILE THE FILTER WAS BEING POWERED BY A 9-VOLT BATTERY.

