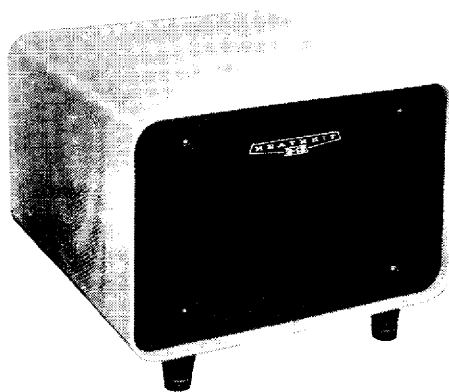


Assembly  
and  
Operation  
of the



# COMMUNICATIONS SPEAKER

MODEL SB-600



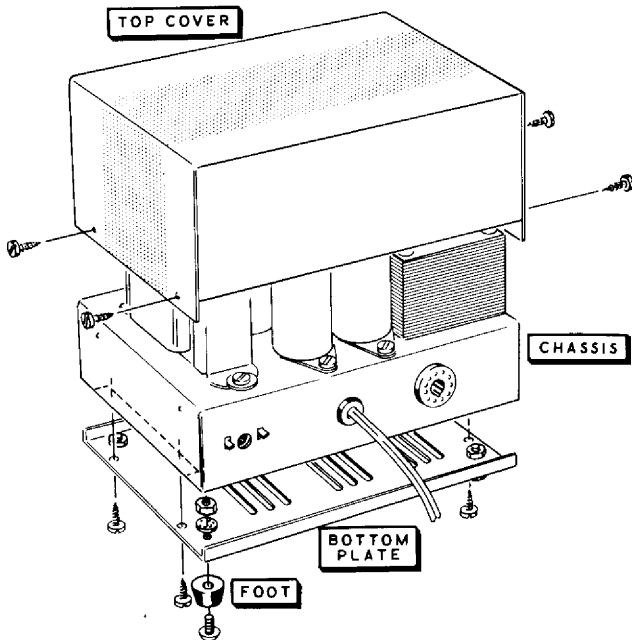
## TABLE OF CONTENTS

Introduction. . . . .	2
Parts List. . . . .	2
Step-By-Step Assembly	
Baffle Board Mounting. . . . .	4
Speaker And Front Panel Mounting. . . . .	4
Speaker Wiring And Final Assembly. . . . .	6
Installing The Model HP-23 AC Power Supply. . . . .	7
Specifications. . . . .	8
Replacement Parts Price List. . . . .	8

The Heath Company reserves the right to discontinue instruments and to change specifications at any time without incurring any obligation to incorporate new features in instruments previously sold.

HEATH COMPANY  
BENTON HARBOR,  
MICHIGAN 49022

Copyright © 1966  
Heath Company  
All rights reserved



PICTORIAL 5

### INSTALLING THE MODEL HP-23 AC POWER SUPPLY

The Heathkit Model HP-23 AC Power Supply can be mounted in the speaker cabinet as follows:

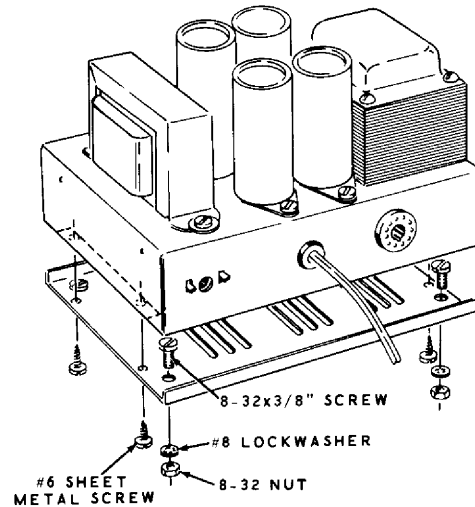
Refer to Pictorial 5 for the following steps.

- ( ) Remove the top cover and bottom plate from the Power Supply. Save four of the #6 sheet metal screws for a later step.
- ( ) Remove the four rubber feet from the bottom plate. Save the 8-32 screws, #8 lockwashers, and 8-32 nuts for the following step.

Refer to Pictorial 6 for the following steps.

- ( ) Install the four 8-32 x 3/8" screws in the mounting feet holes in the bottom plate. Use #8 lockwashers and 8-32 nuts.
- ( ) Install the bottom plate on the chassis with four #6 sheet metal screws.

NOTE: The top cover, rubber feet, and remaining four #6 sheet metal screws that were removed from the Power Supply will not be used.

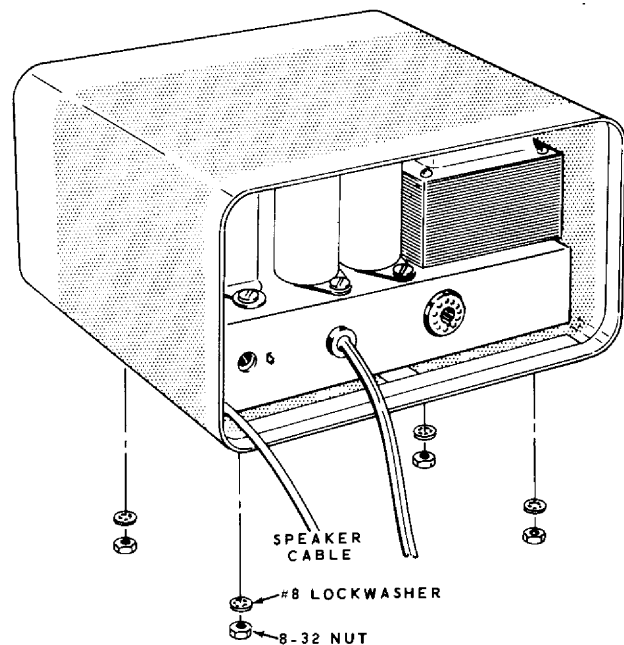


PICTORIAL 6

Before installing the Power Supply in the cabinet, make sure the On-Off switch is in the On position.

- ( ) Refer to Pictorial 7 and install the Power Supply by positioning the four bottom plate screws through the four holes in the cabinet. Use #8 lockwashers and 8-32 nuts on these screws.

This completes the installation of the Power Supply.



PICTORIAL 7

## SPECIFICATIONS

Speaker Size. . . . .	6" x 9" oval.
Voice Coil Impedance. . . . .	8 $\Omega$ .
Resonant Frequency. . . . .	82 cps (open air).
Frequency Response. . . . .	300 to 3000 cps.
Magnet Weight. . . . .	3.16 oz.
Cabinet. . . . .	Aluminum, gray wrinkle finish.
Dimensions. . . . .	10" wide x 6-1/2" high x 10-1/2" deep.
Net Weight. . . . .	3-1/2 lbs.

NOTE: Refer to the Kit Builders Guide for Service and Warranty information.

## REPLACEMENT PARTS PRICE LIST

PART No.	PRICE Each	DESCRIPTION	PART No.	PRICE Each	DESCRIPTION
<b>CABINET-FRONT PANEL</b>			<b>#8 Hardware</b>		
90-337	8.70	Cabinet	250-278	.05	#8 x 1-3/4" sheet metal screw
203-447-1	2.10	Front panel	254-2	.05	#8 lockwasher
			252-4	.05	8-32 nut
<b>SPEAKER-BAFFLE BOARD</b>			<b>Other Hardware</b>		
401-108	5.00	Speaker, 8 $\Omega$	253-9	.05	#6 flat washer
94-420	1.25	Baffle board	252-10	.05	Speednut
<b>CLAMP-FEET-PLUG-SPACER</b>			<b>MISCELLANEOUS</b>		
207-3	.10	Cable clamp	343-6	.05/ft	Shielded cable
261-9	.05	Rubber foot	490-5	.10	Nut starter
261-25	.05	Plastic foot	331-6	.15	Solder
438-4	.10	Phono plug	391-43	1.05	Heathkit nameplate
255-59	.15	Plastic spacer	595-815	2.00	Manual

### HARDWARE

#### #6 Hardware

250-10	.05	6-32 x 1/2" screw
250-296	.05	6-32 x 1-1/4" screw, black
250-8	.05	#6 x 3/8" sheet metal screw
254-1	.05	#6 lockwasher
252-3	.05	6-32 nut

The above prices apply only on purchases from the Heath Company where shipment is to a U.S.A. destination. Add 10% (minimum 25 cents) to the price when ordering from an authorized Service Center or Heathkit Electronic Center to cover local sales tax, postage and handling. Outside the U.S.A. parts and service are available from your local Heathkit source and will reflect additional transportation, taxes, duties and rates of exchange.