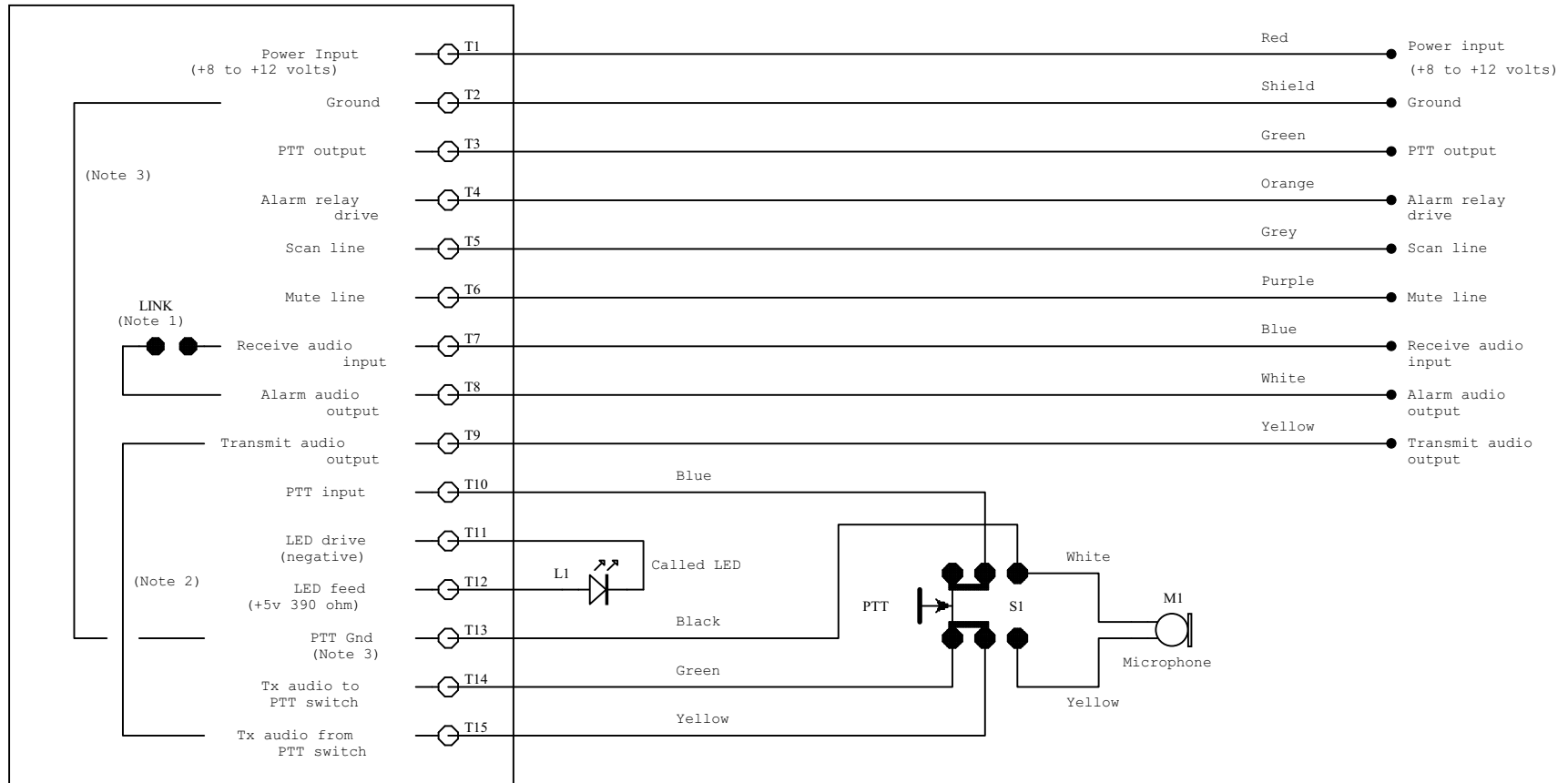
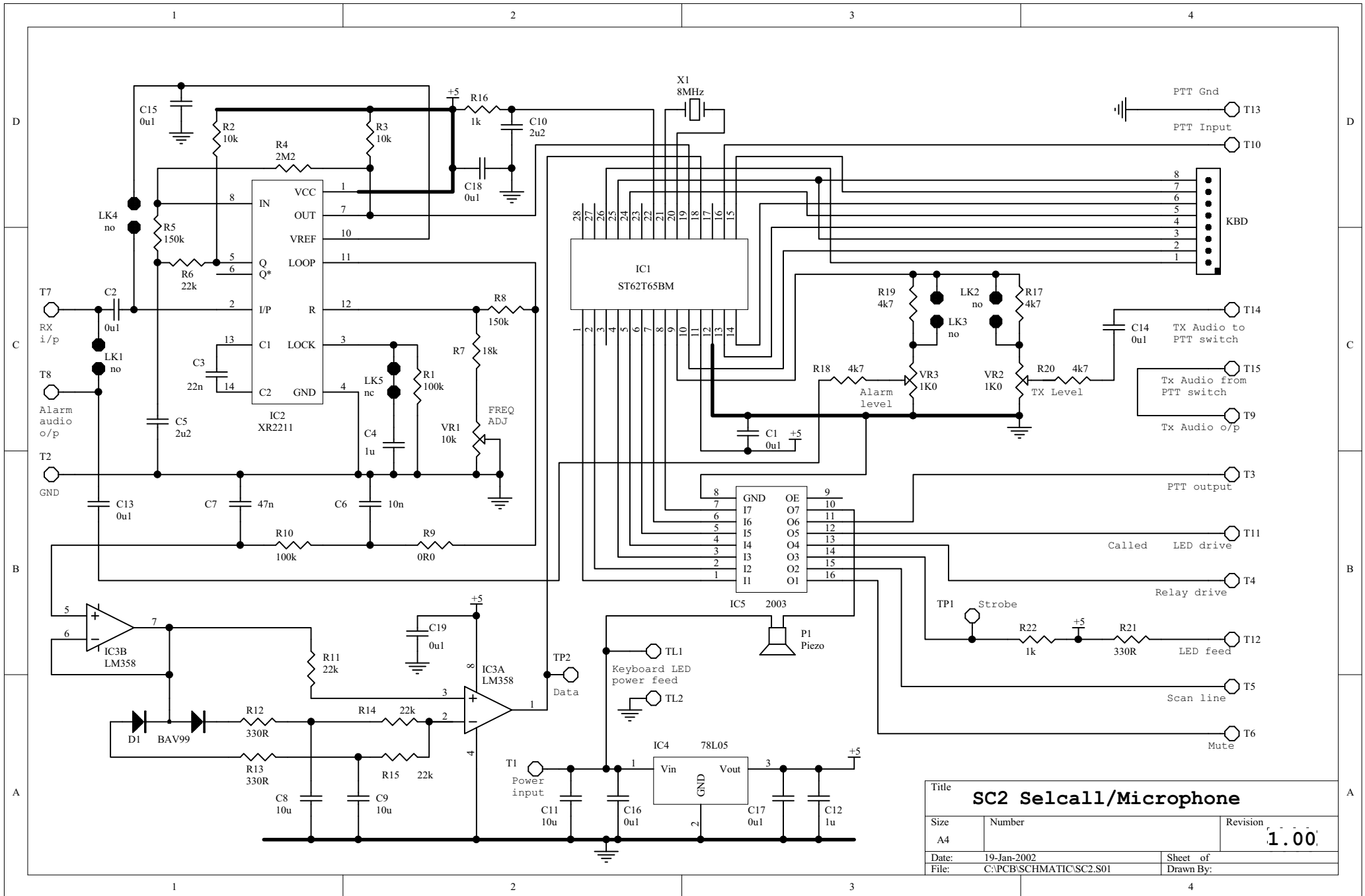


# SC2 micro board



Note 1 - Make LINK1 to feed Alarm audio back into Rx  
 Note 2 - T9 and T1 are linked on SC2 micro board  
 Note 3 - T2 and T1 are linked on SC2 micro board

Title		
SC2 Microphone internal wiring		
Size	Number	Revision
A4		1.00
Date:	19-Jan-2002	Sheet of
File:	C:\PCB\SCHMATIC\SC2BOARD.S01	Drawn By:



Title		
<b>SC2 Selcall/Microphone</b>		
Size	Number	Revision
A4		<b>1.00</b>
Date:	19-Jan-2002	Sheet of
File:	C:\PCB\SCHMATIC\SC2.S01	Drawn By: