

Jp1+

R2

C4

C5

R3

C1

R4

C7

DA1

C6

R5

L1

C9

C8

C13

C10

U2

R6, R7

DA2

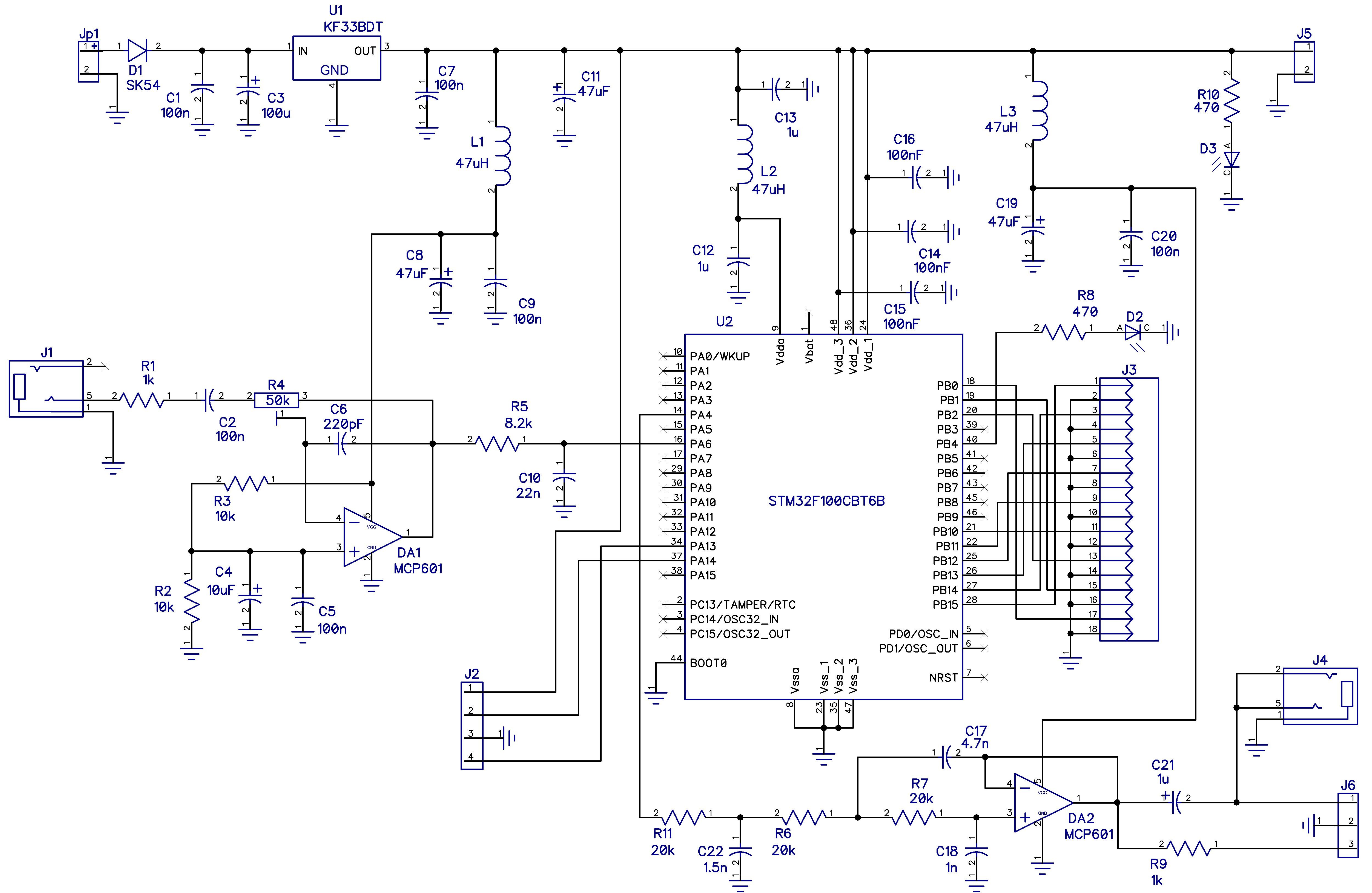
C21

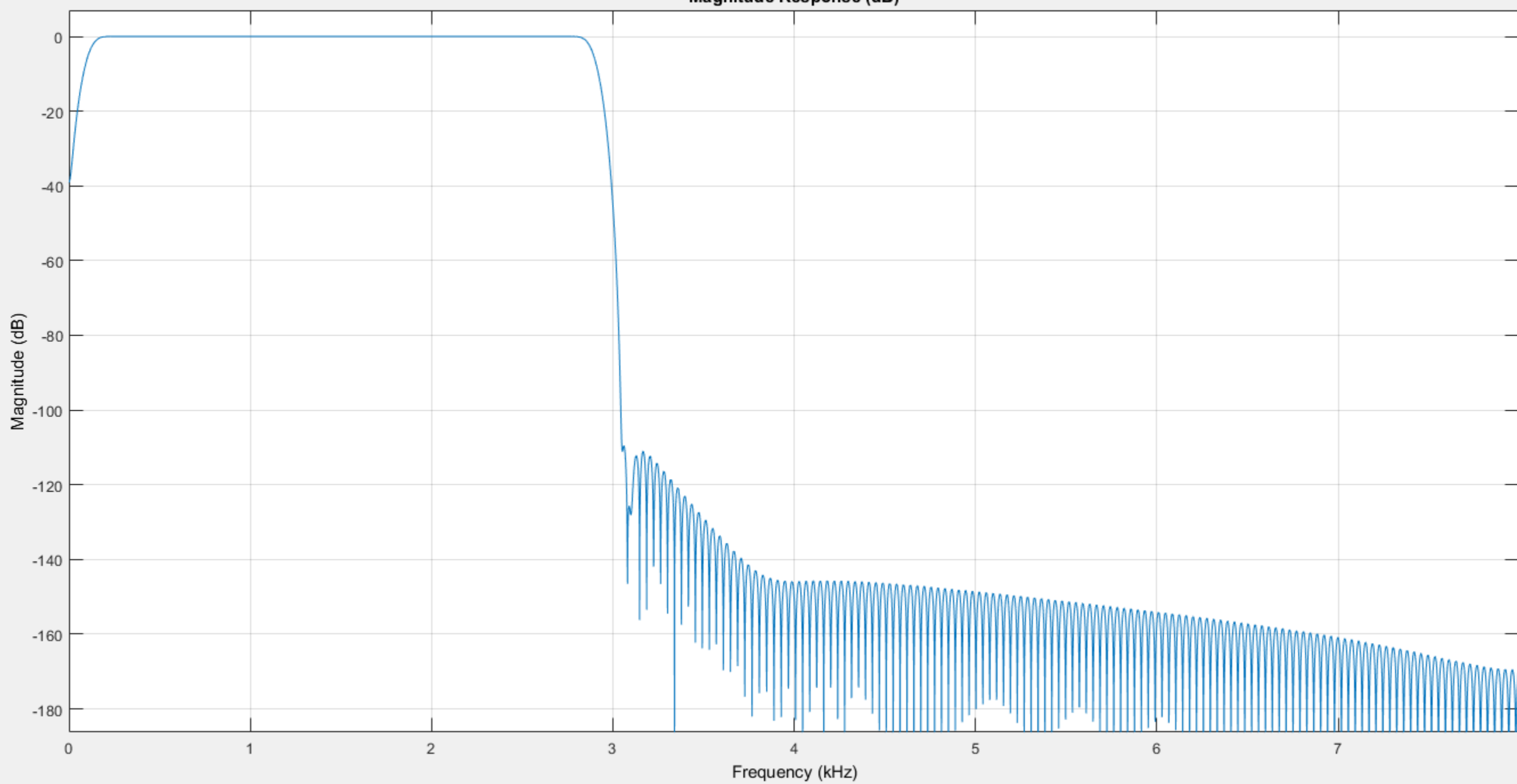
C20

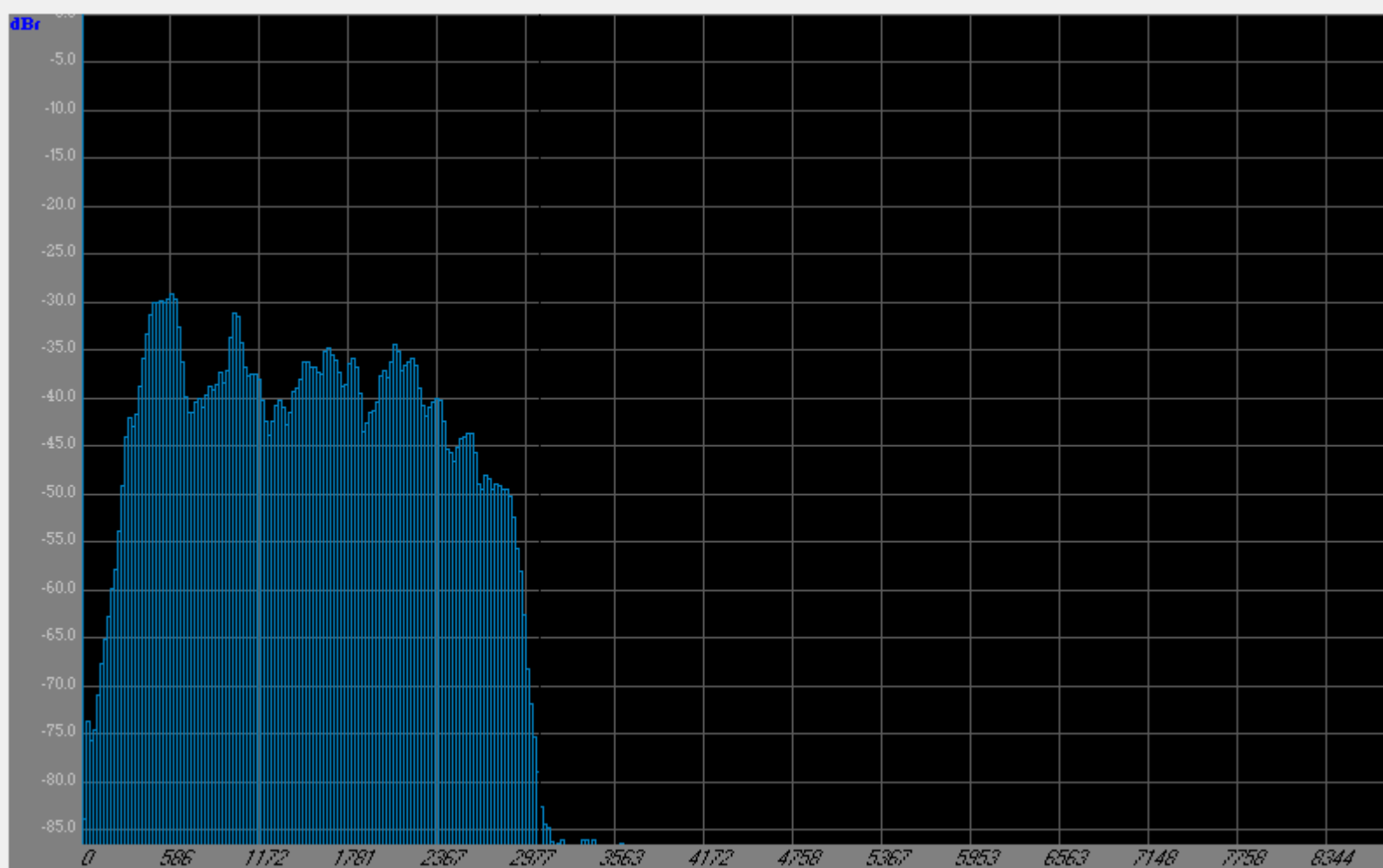
C19

D3

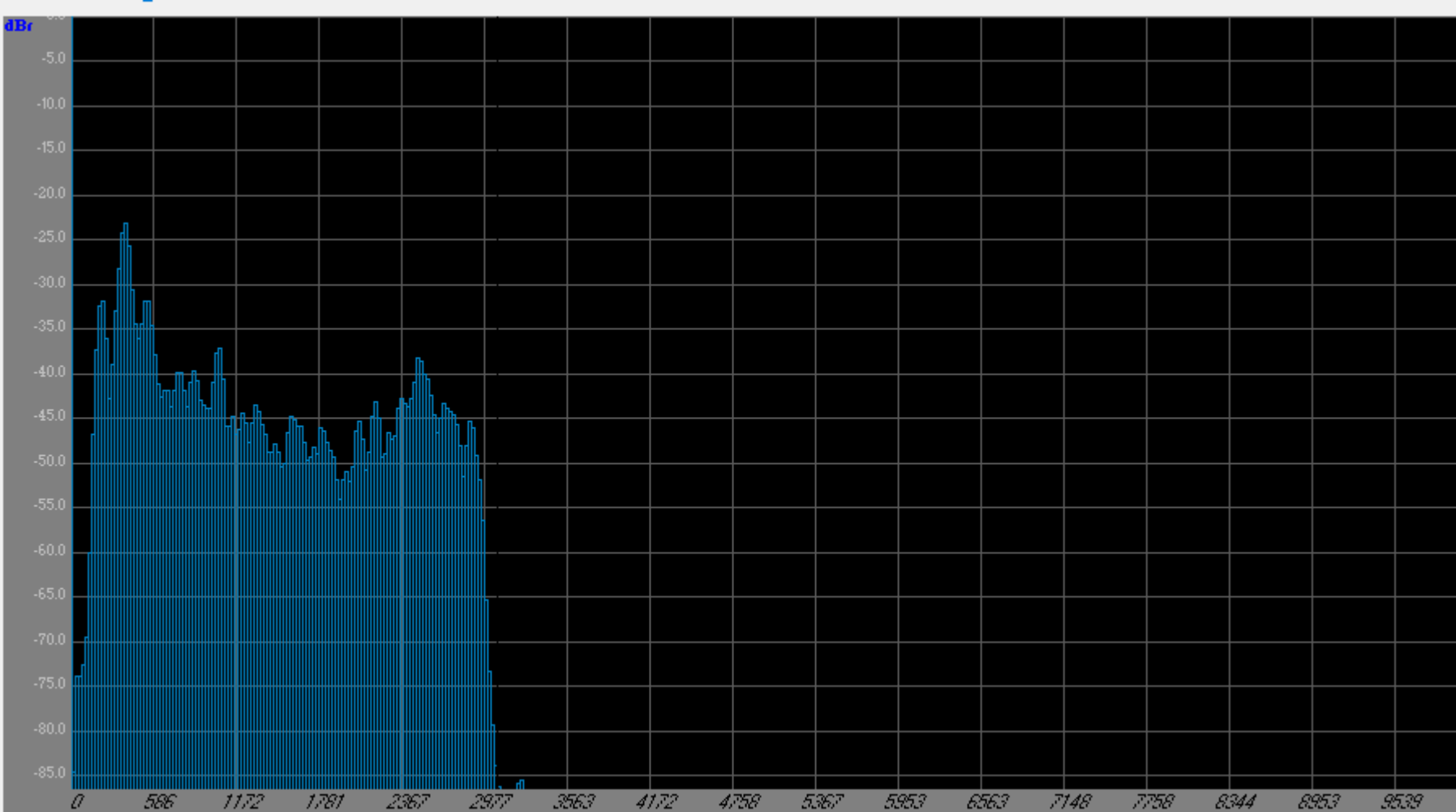
R1A







Points = 4096 | Sampling = 96000Hz | Smoothing = Blackman Opt1 | File = C:\Program Files (x86)\Visual Analyzer\VA.ini | UID = DF5C1DF75AEC668015880C45CF0



Points = 4096 [Sampling = 96000Hz] [Smoothing = Blackman Opt1] [Inj = C:\Program Files (x86)\Visual Analyzer\VA.ini] [IID = D5C1E9E7EA5C6E8915889C45E899148]