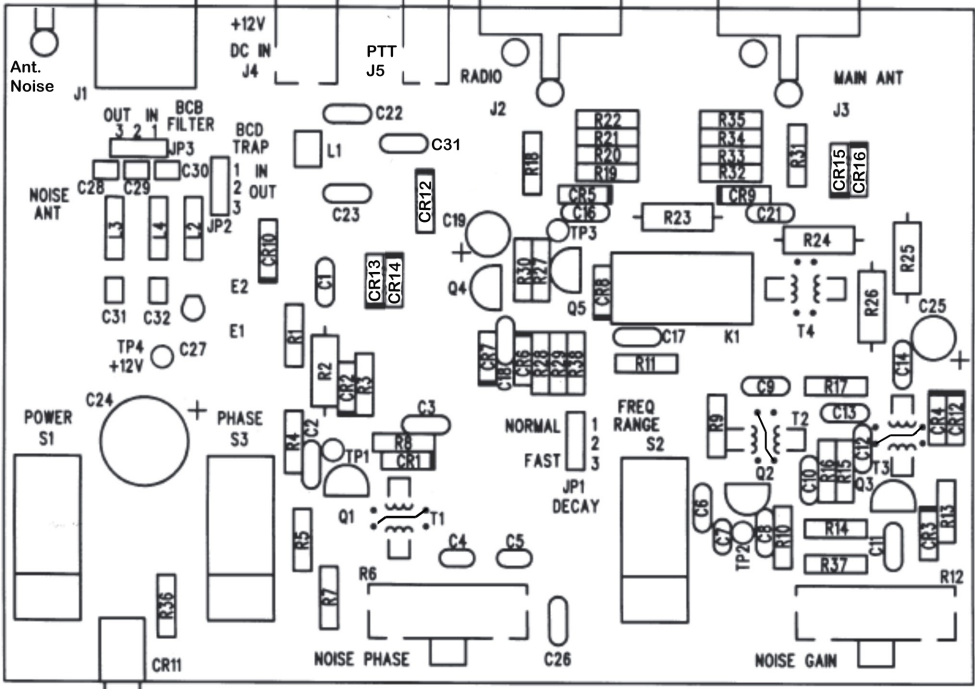
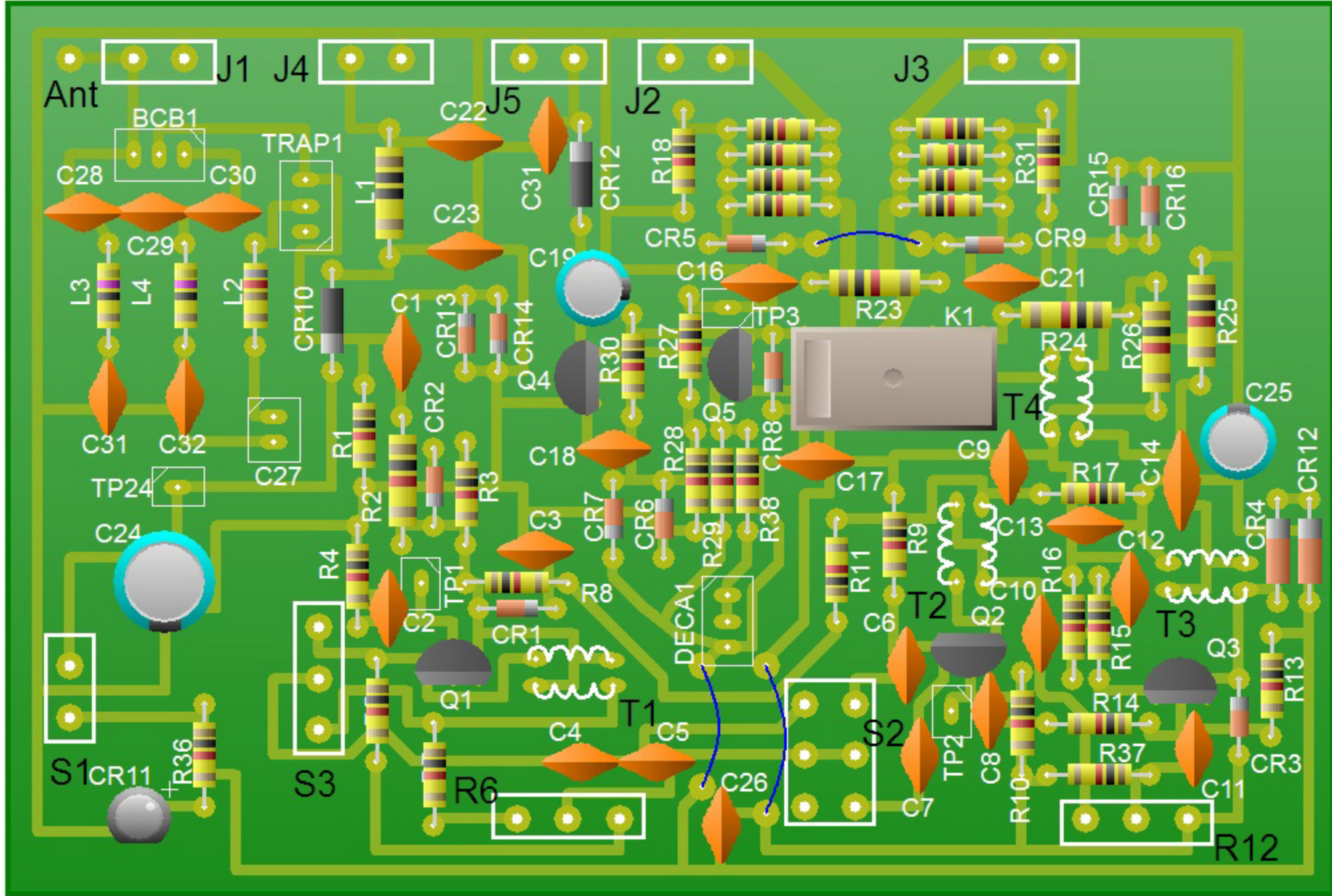


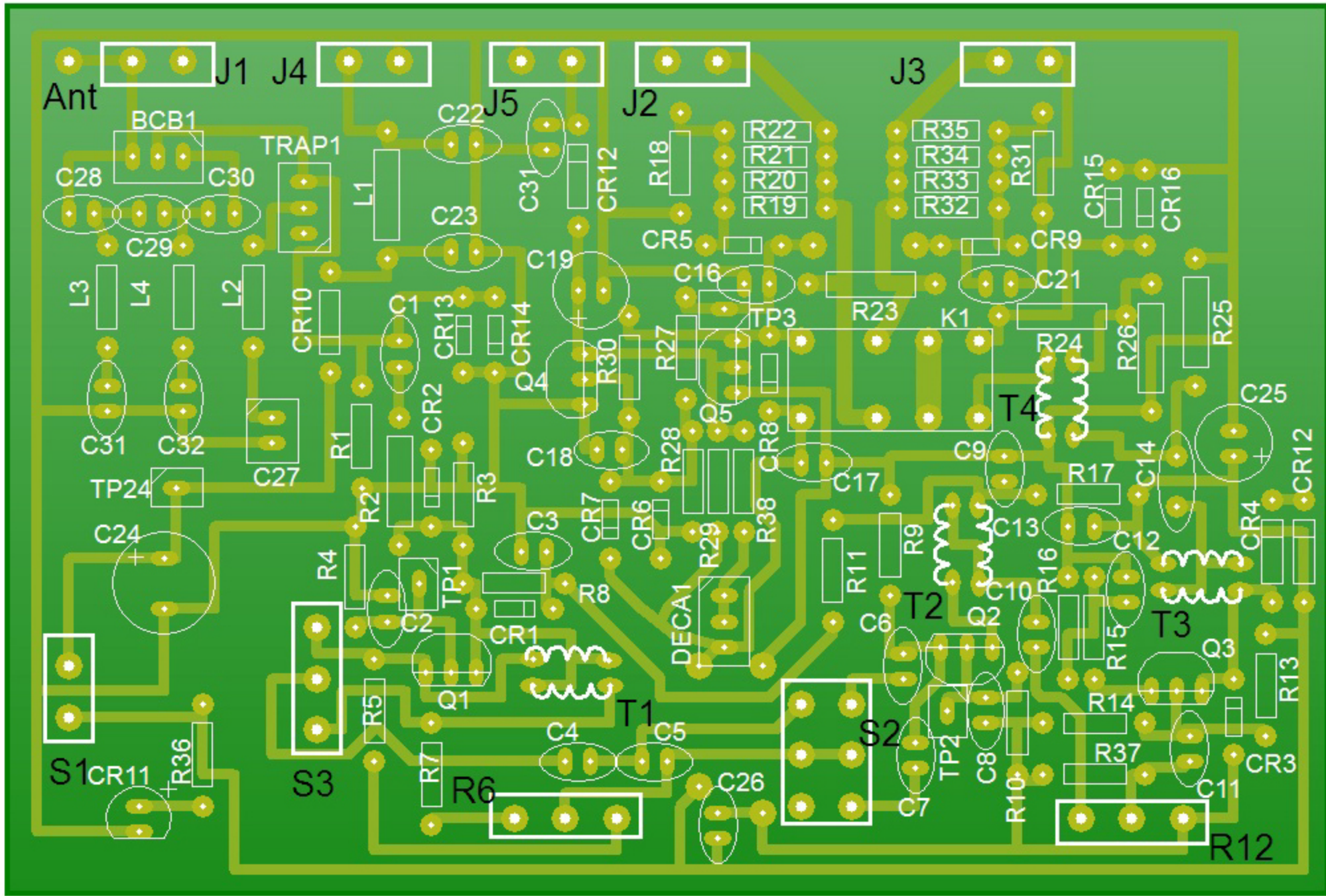
USE JP1 TO ADJUST DECAY TIME AFTER KEY-UP:
 JUMPER PINS 1 & 2 FOR NORMAL DECAY
 JUMPER PINS 2 & 3 FOR FAST DECAY

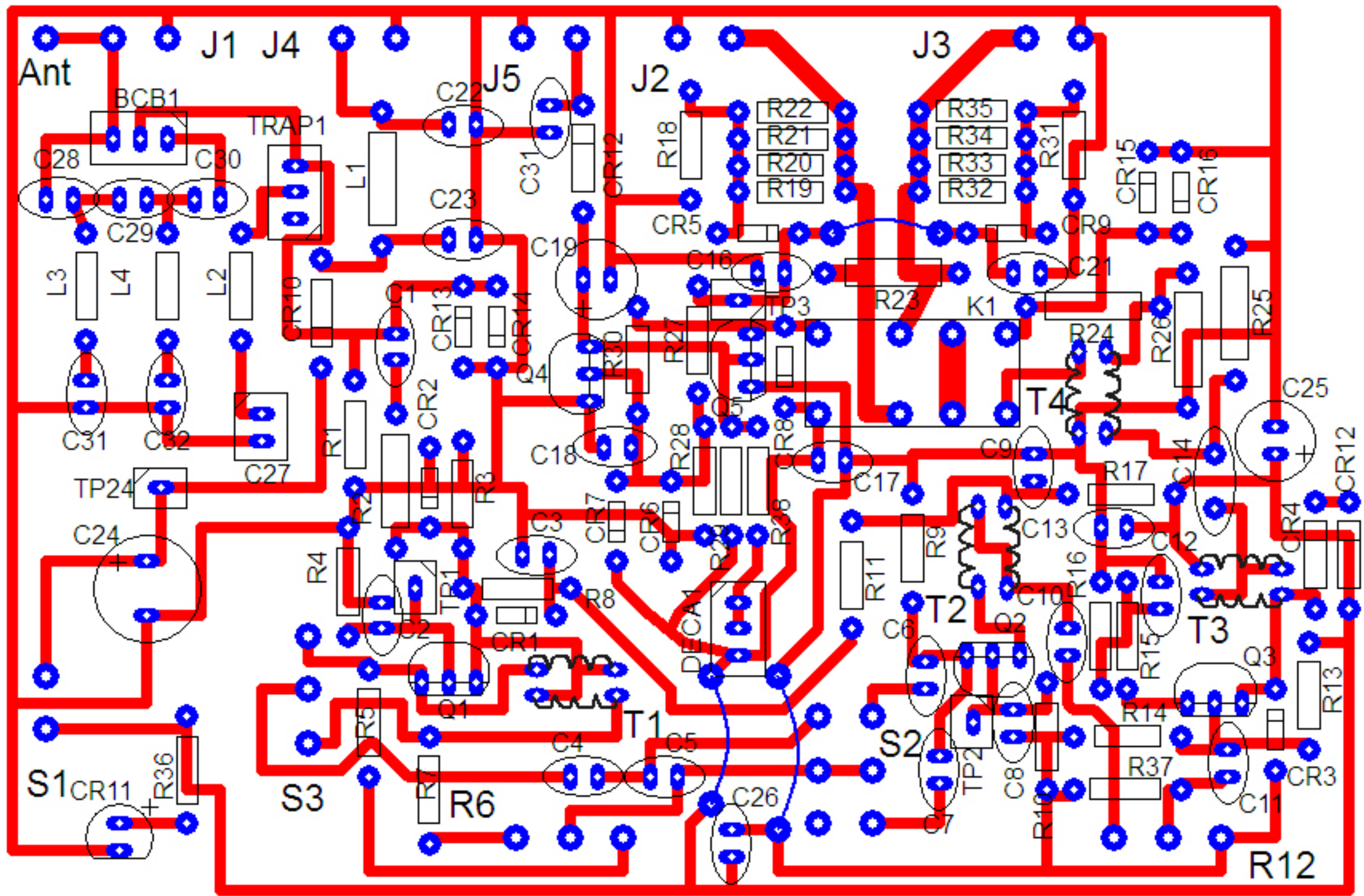
USE JP2 FOR BC BAND TRAP
 JUMP 1 & 2 TOGETHER FOR BC BAND TRAP
 JUMP 2 & 3 TOGETHER TO DISABLE TRAP

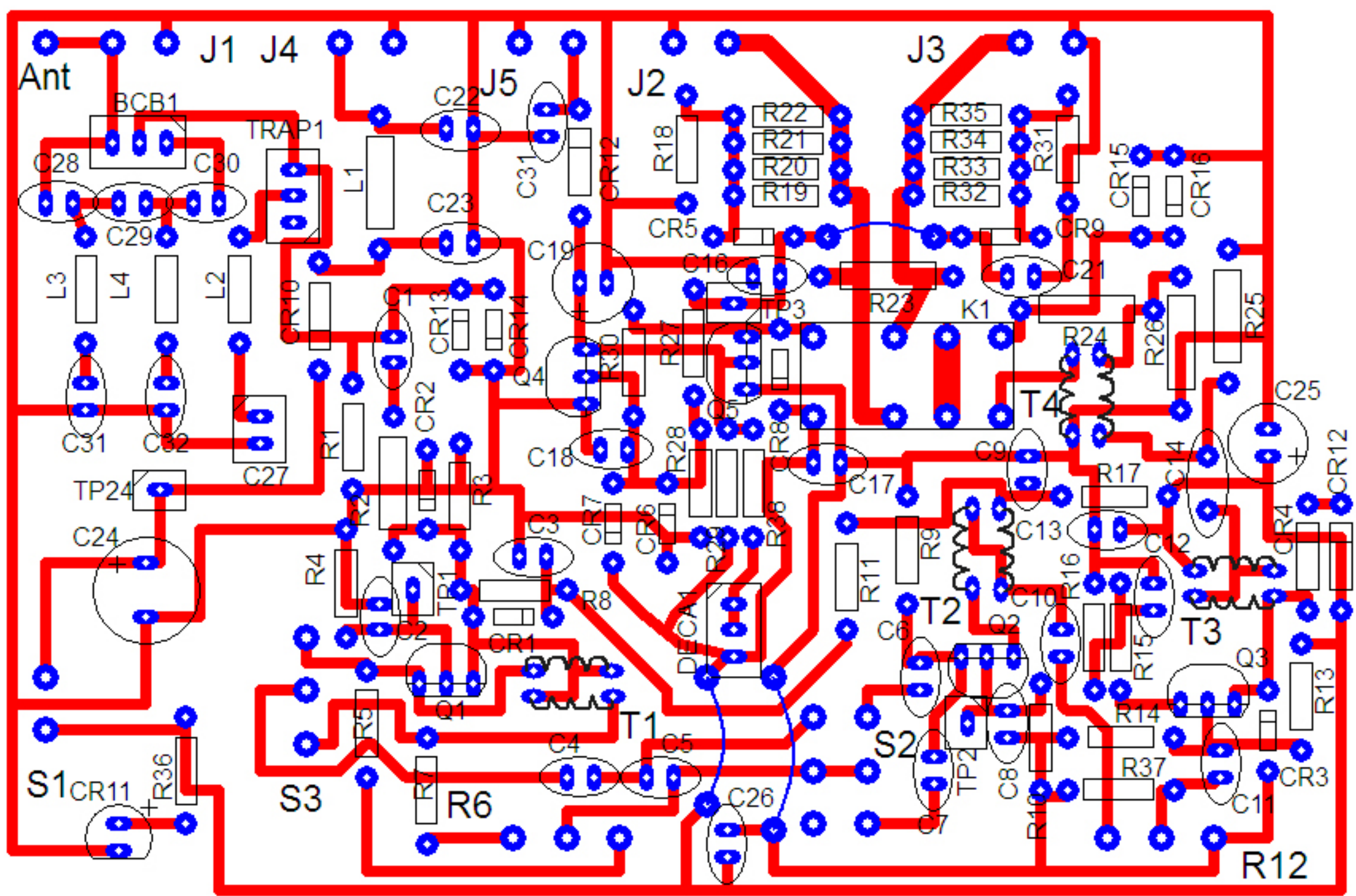
USE JP3 FOR BCB FILTER
 JUMP 1 & 2 TOGETHER FOR BC BAND FILTER
 JUMP 2 & 3 TOGETHER TO DISABLE FILTER











130 mm

85 mm

