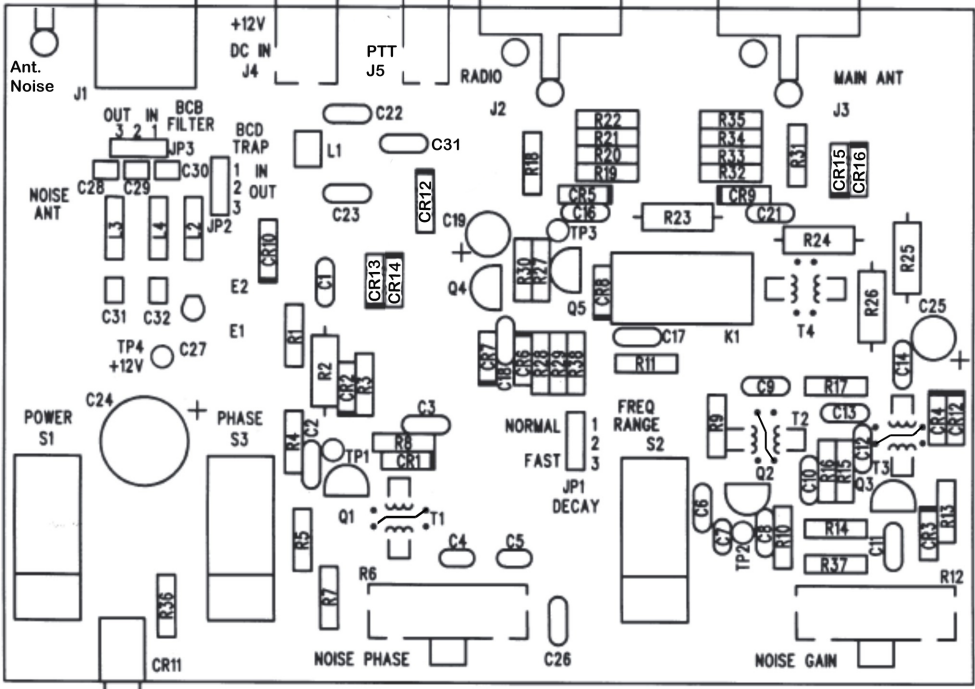
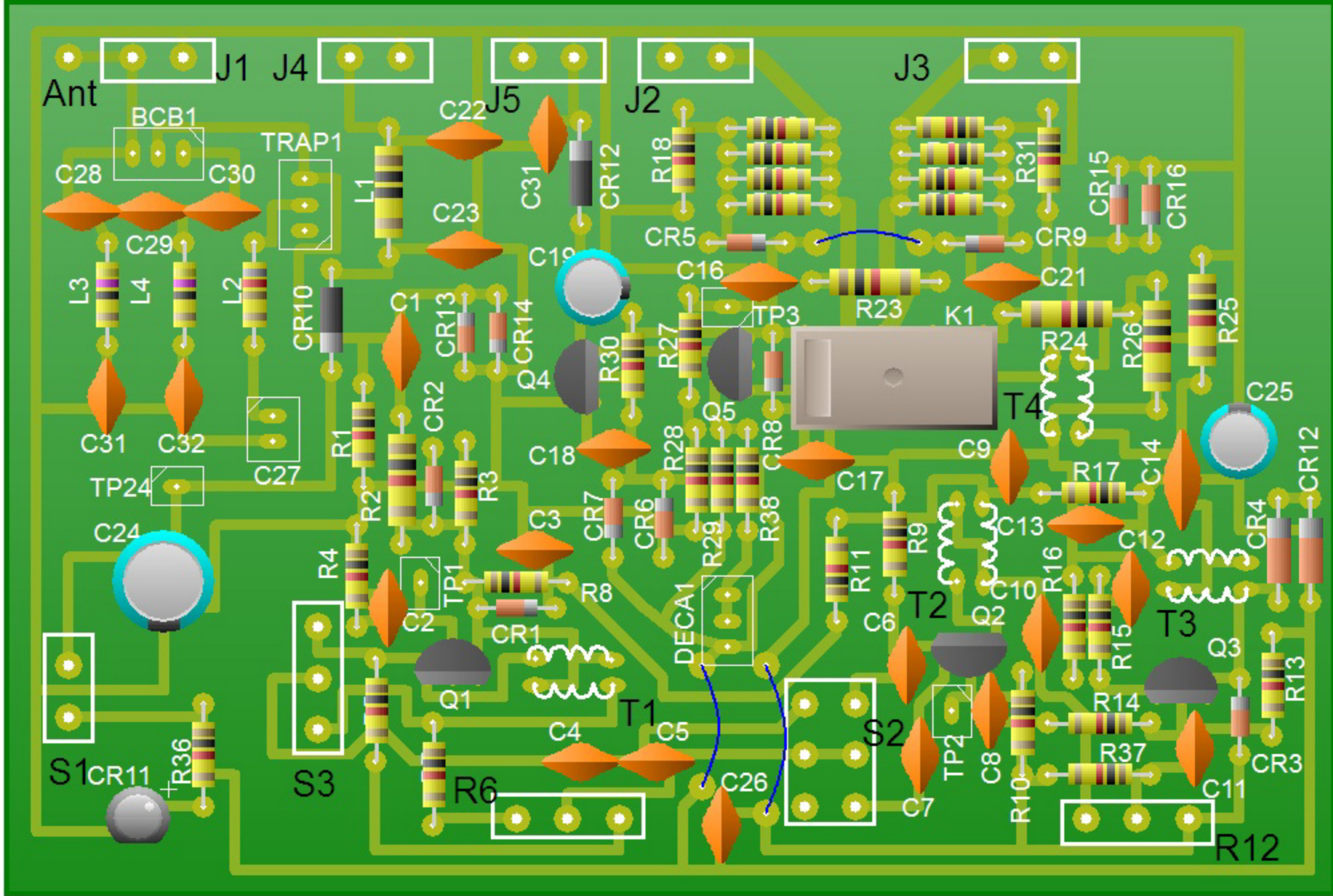


USE JP1 TO ADJUST DECAY TIME AFTER KEY-UP:  
 JUMPER PINS 1 & 2 FOR NORMAL DECAY  
 JUMPER PINS 2 & 3 FOR FAST DECAY

USE JP2 FOR BC BAND TRAP  
 JUMP 1 & 2 TOGETHER FOR BC BAND TRAP  
 JUMP 2 & 3 TOGETHER TO DISABLE TRAP

USE JP3 FOR BCB FILTER  
 JUMP 1 & 2 TOGETHER FOR BC BAND FILTER  
 JUMP 2 & 3 TOGETHER TO DISABLE FILTER





Ant

J1 J4

J5 J2

J3

BCB1

TRAP1

C28 C30

C22 C23

C31

L3 L4

L2

CR10

C1

CR13

CR14

C19

CR5

C16

TP3

R23

K1

C21

R24

R26

R25

CR15

CR16

C31 C32

TP24

C24

C27

R1

CR2

R3

C18

CR7

CR6

R28

R29

R38

C17

C9

T4

R17

C14

C25

CR4

CR12

S1

CR11

R36

S3

R4

C2

TP1

CR1

R8

CR6

R29

R38

C10

T2

Q2

C13

R16

C12

T3

Q3

CR3

R13

S3

R6

Q1

C4

T1

C5

C26

DECA1

S2

TP2

C7

R10

C8

R15

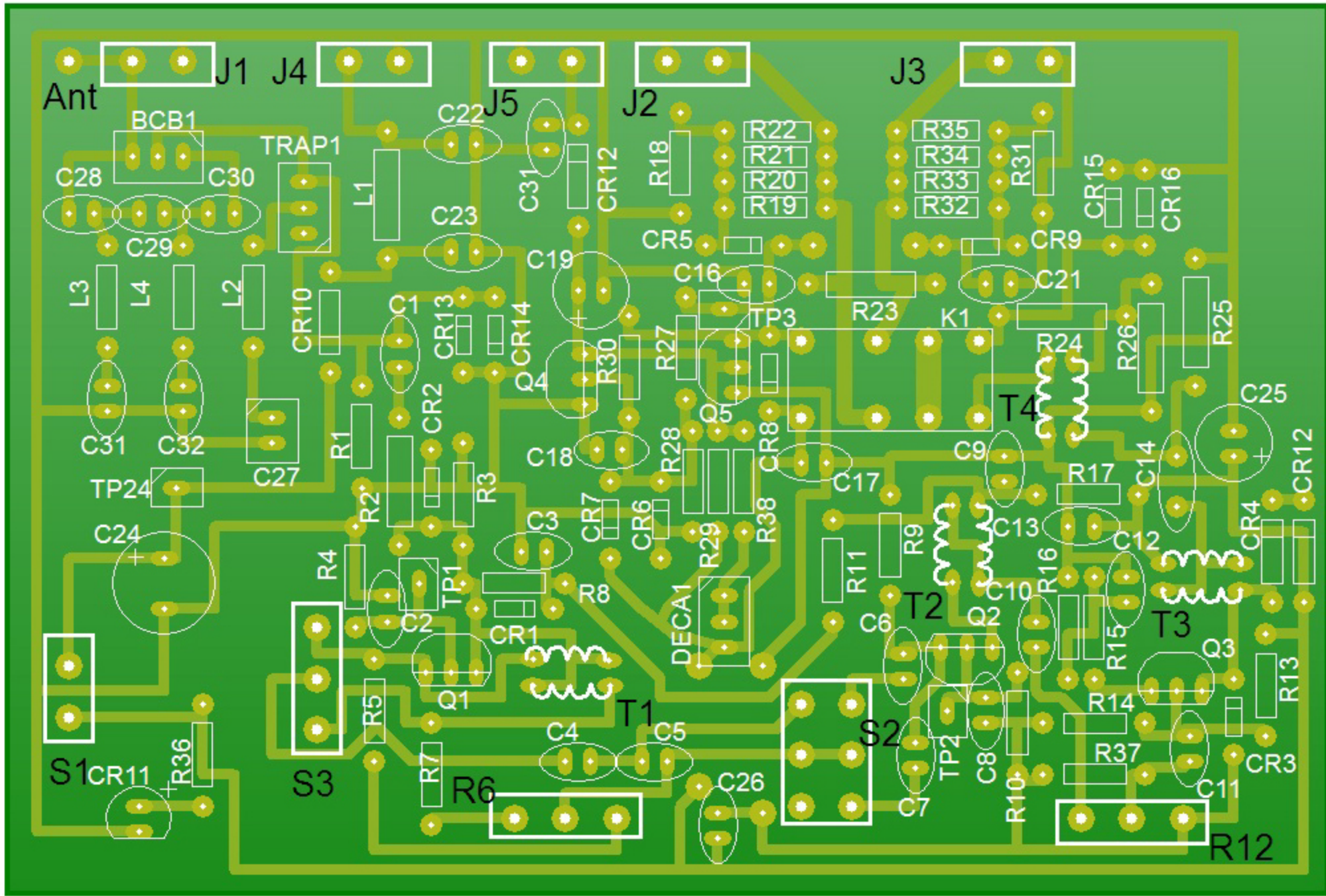
R14

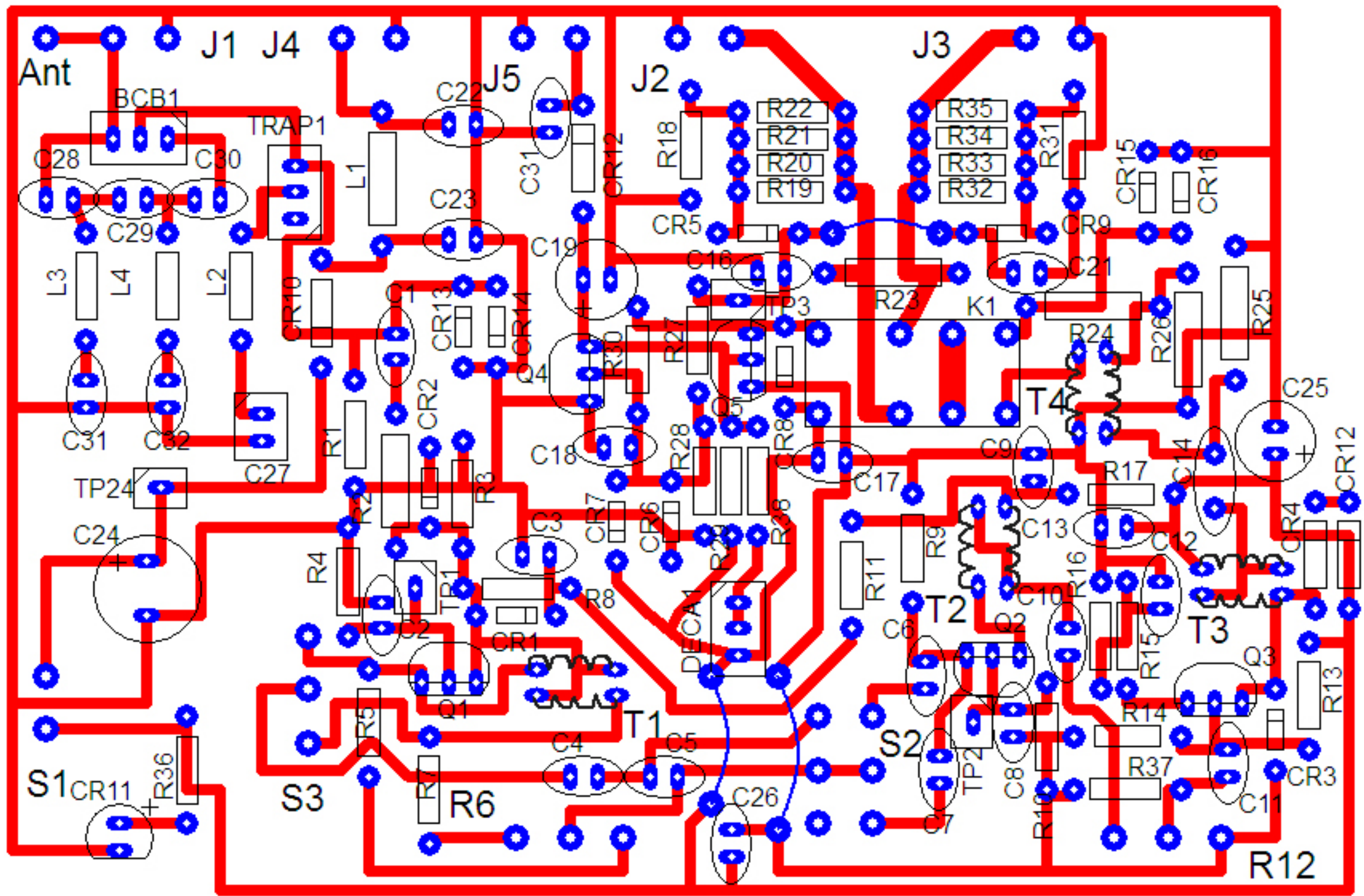
R37

C11

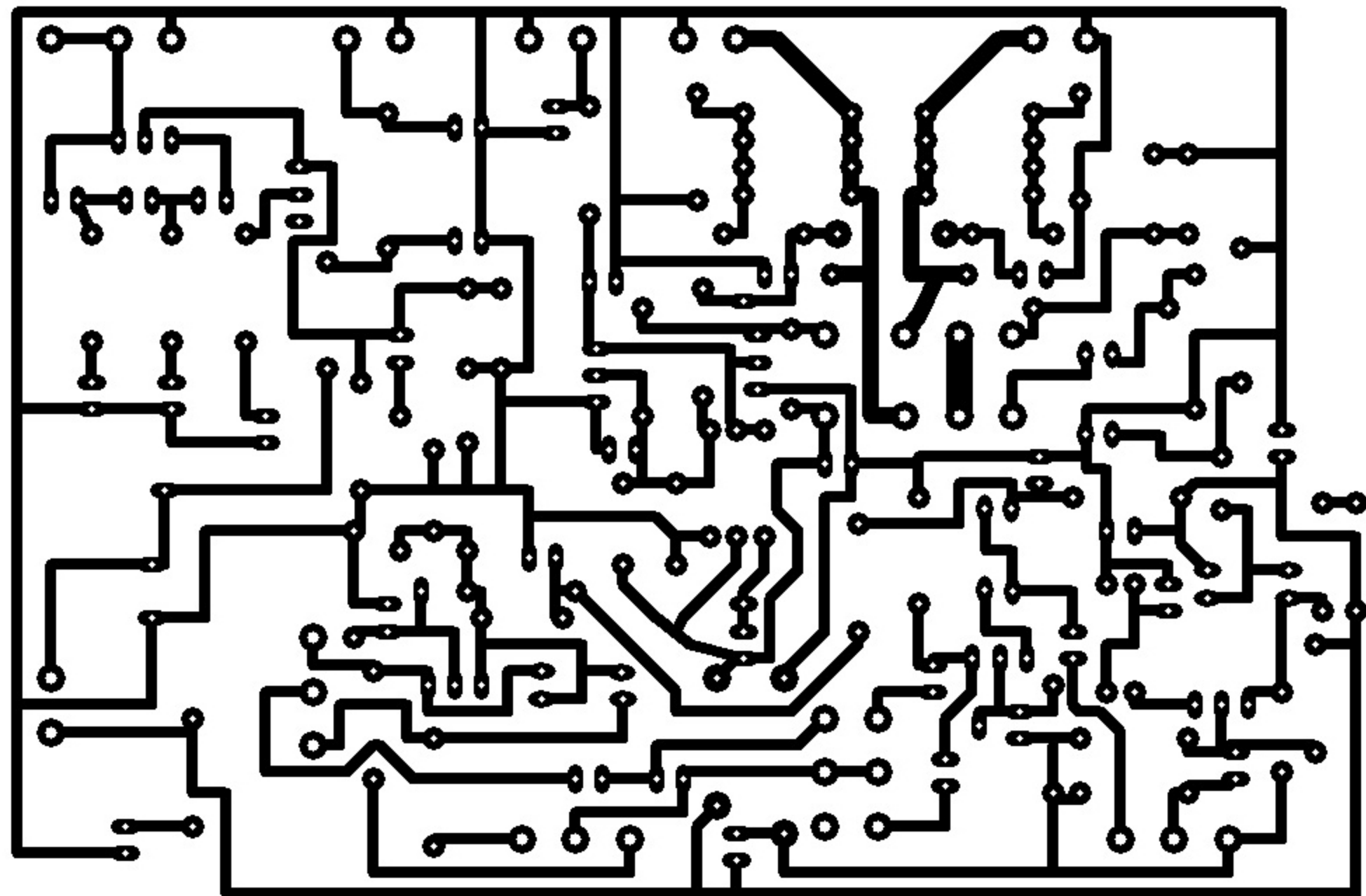
CR3

R12





130 mm



85 mm

130 mm

85 mm

