

SPECIFICATIONS

SINE WAVE SECTION

Frequency Range.	20 cps to 1 megacycle.
Frequency Response.	±1.5 db.
Output Voltage (into a high impedance load). . .	0-10 volts rms. 0-1 volt rms. 0-0.1 volt rms. 0-.01 volt rms.
Output Impedance (±10%).	Variable on 10 volt range, 0 to 3500 ohms. 600 ohms on 1 volt, 0.1 volt, and 0.01 volt ranges.
Distortion (from 20 to 20,000 cps).	Less than .25%.

SQUARE WAVE SECTION

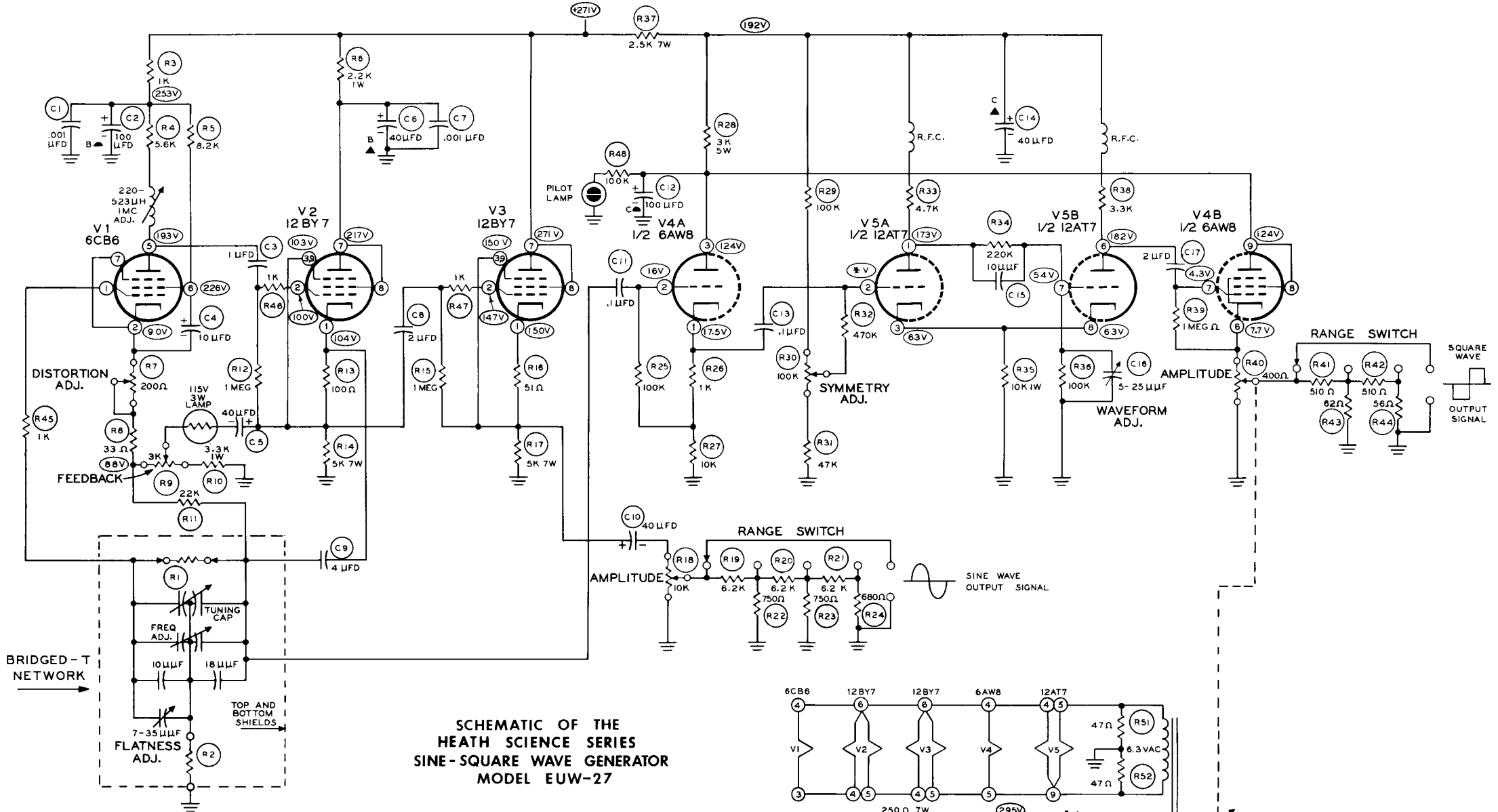
Frequency Range.	20 cps to 1 megacycle.
Output Voltage (into a high impedance load, ±5%).	0-10 volts P to P. 0-1 volt P to P. 0-0.1 volt P to P.
Output Impedance (±10%).	Variable on 10 volt range, 0 to 220 ohms. 52 ohms on 1 volt and 0.1 volt ranges.
Rise Time.	Less than 0.15 microsecond.

GENERAL

Frequency Accuracy.	±5%.
Power Requirements.	105-125 volts, AC, 50/60 cps, 55 watts.
Dimensions.	11-1/4" wide x 6-3/4" high x 10-1-/2" deep.
Net Weight.	11-1/4 lbs.
Shipping Weight.	13 lbs.

All prices are subject to change without notice. The Heath Company reserves the right to discontinue instruments and to change specifications at

any time without incurring any obligation to incorporate new features in instruments previously sold.



BRIDGED-T NETWORK

FREQ. MULT.

POSITION	R1	R2
1	36 meg.	8 meg.
10	3.6 meg.	800 K
100	360 K	80 K
1 K	36 K	8 K and 10 μf
10 K	3.6 K	710 Ω

SCHEMATIC OF THE HEATH SCIENCE SERIES SINE-SQUARE WAVE GENERATOR MODEL EUW-27

ALL RESISTORS 1/2 WATT UNLESS MARKED OTHERWISE.
*VOLTAGE VARIES-DEPENDS ON SYMMETRY CONTROL.
○ INDICATES A POSITIVE DC VOLTAGE MEASUREMENT FROM POINT INDICATED TO CHASSIS GROUND EXCEPT AC VOLTAGES AT POWER TRANSFORMER. READINGS WERE TAKEN WITH AN 11 MEGOHM INPUT VTVM.

