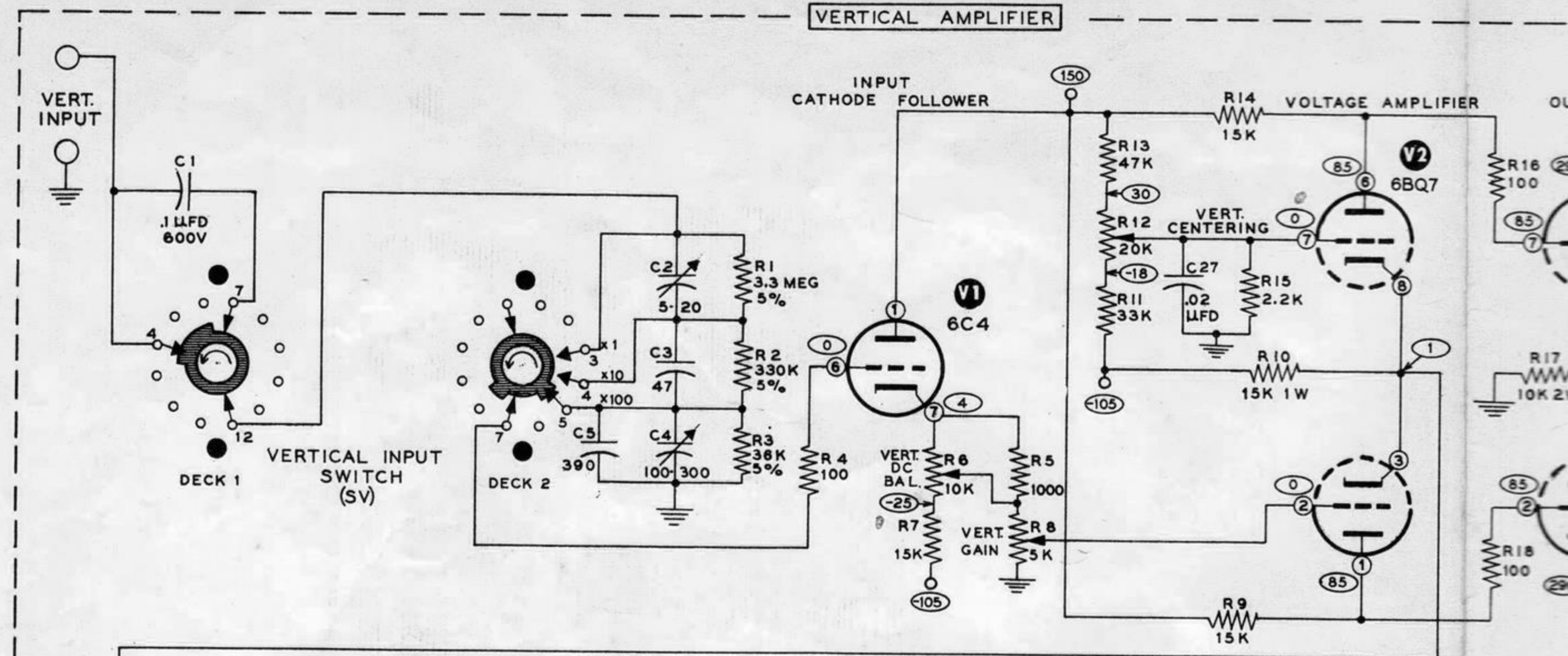
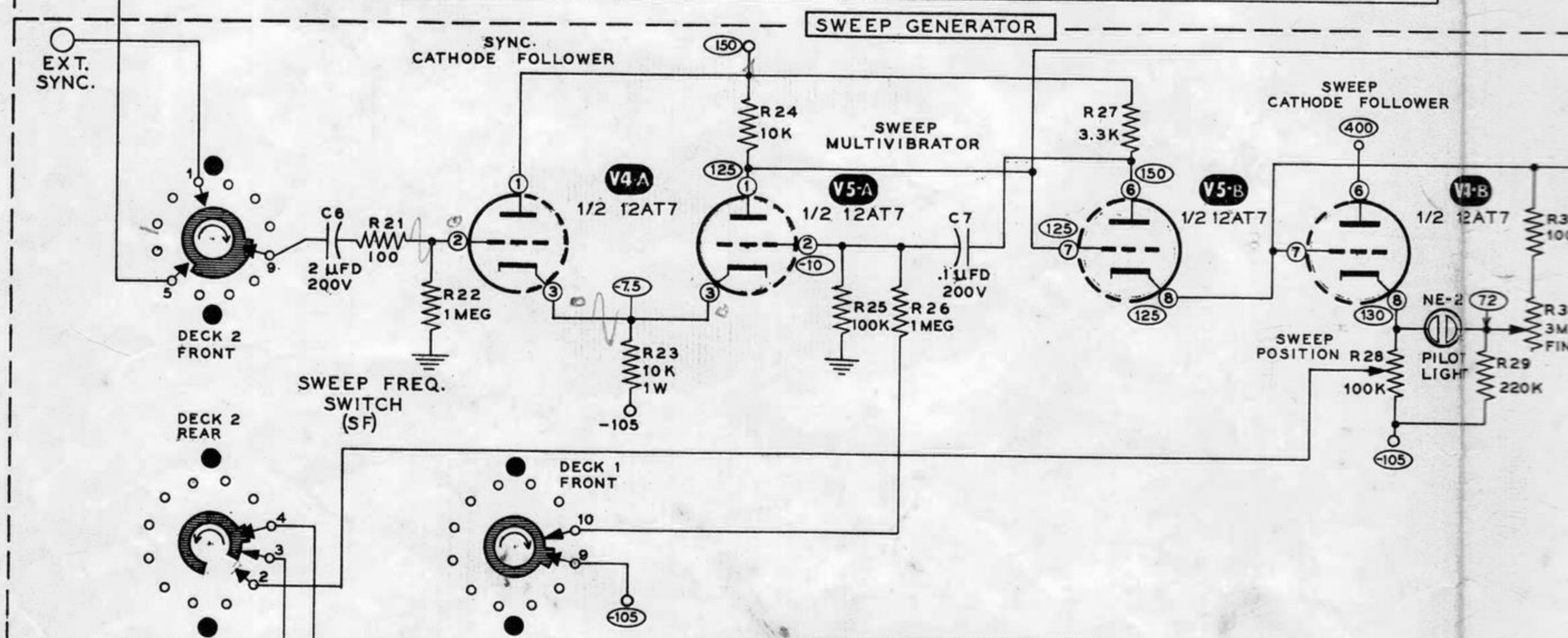


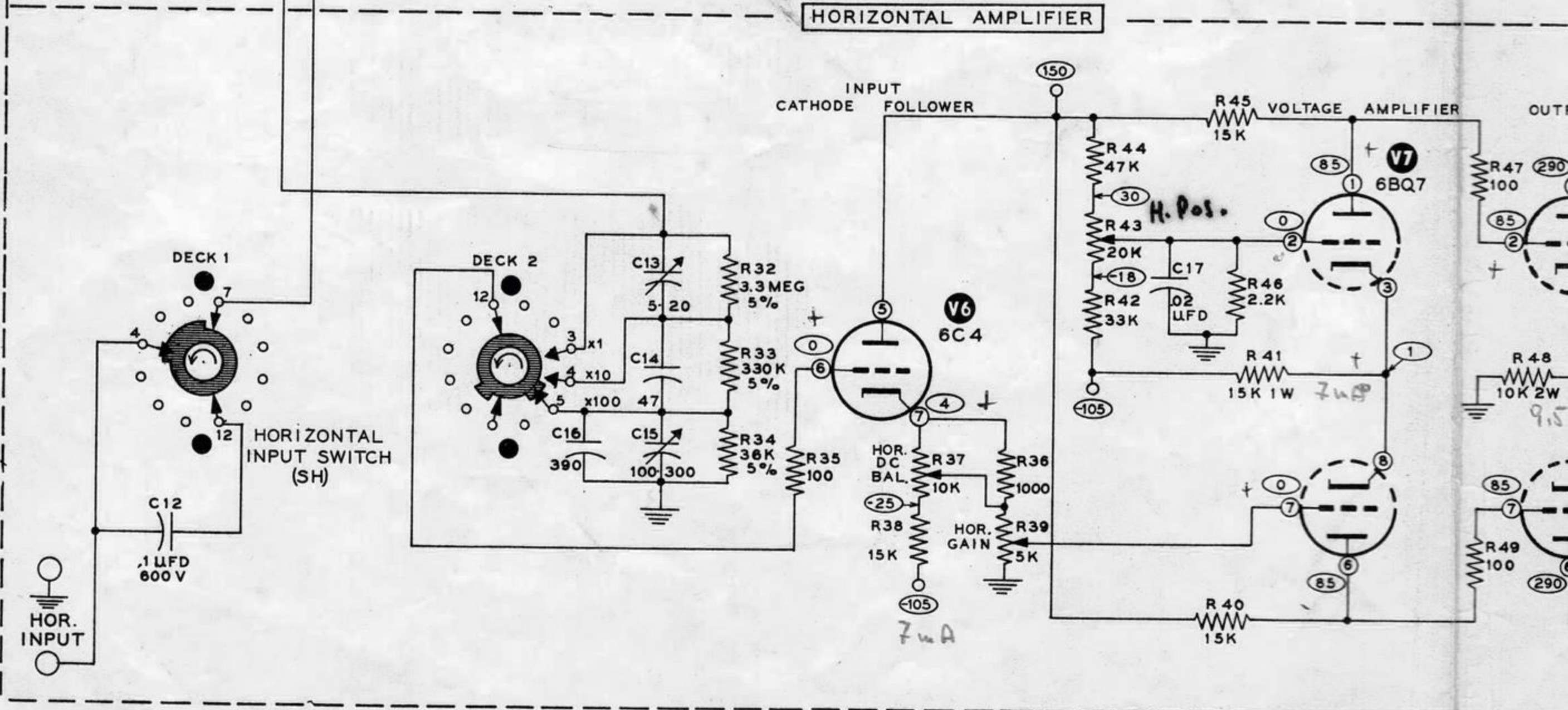
VERTICAL AMPLIFIER



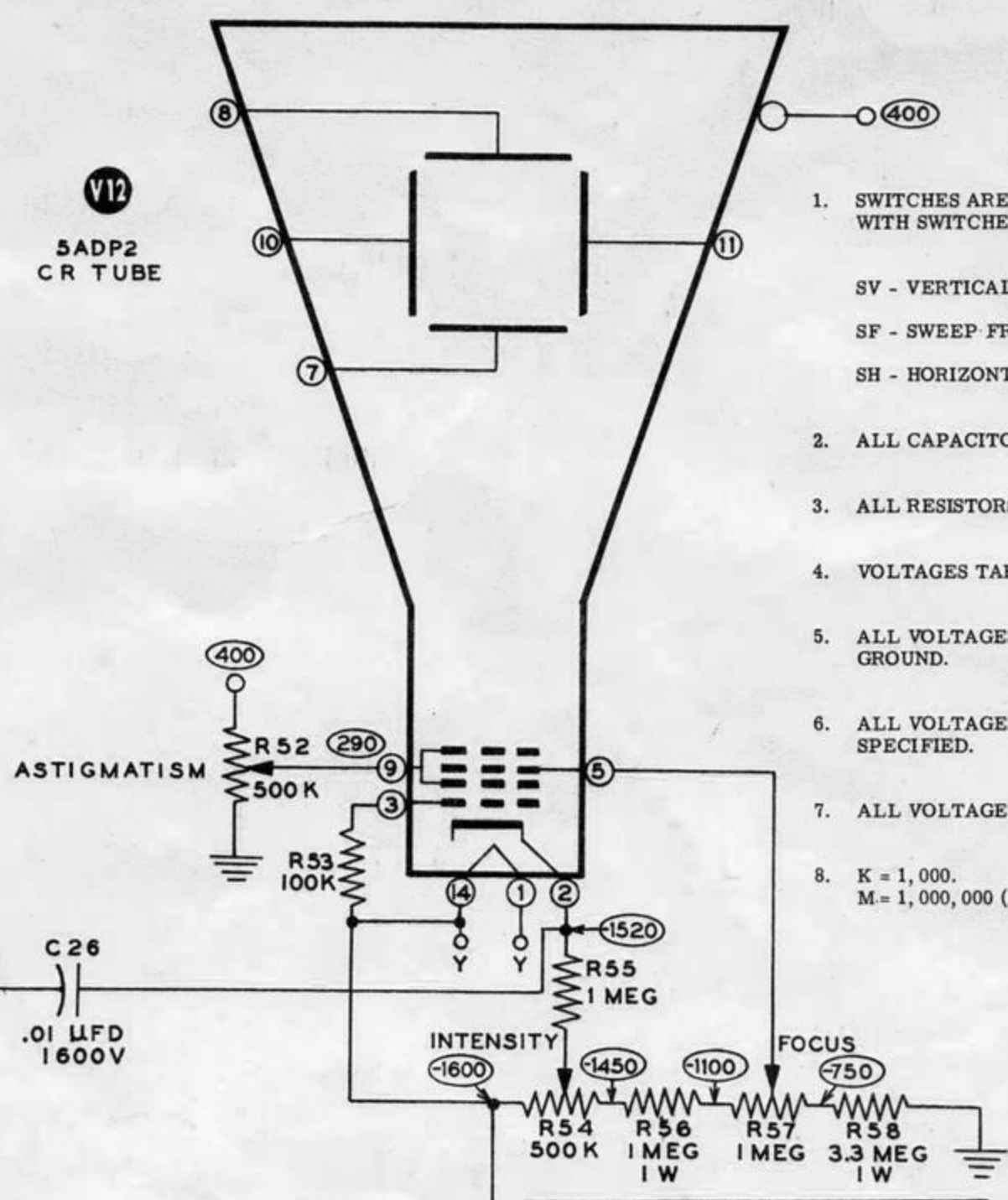
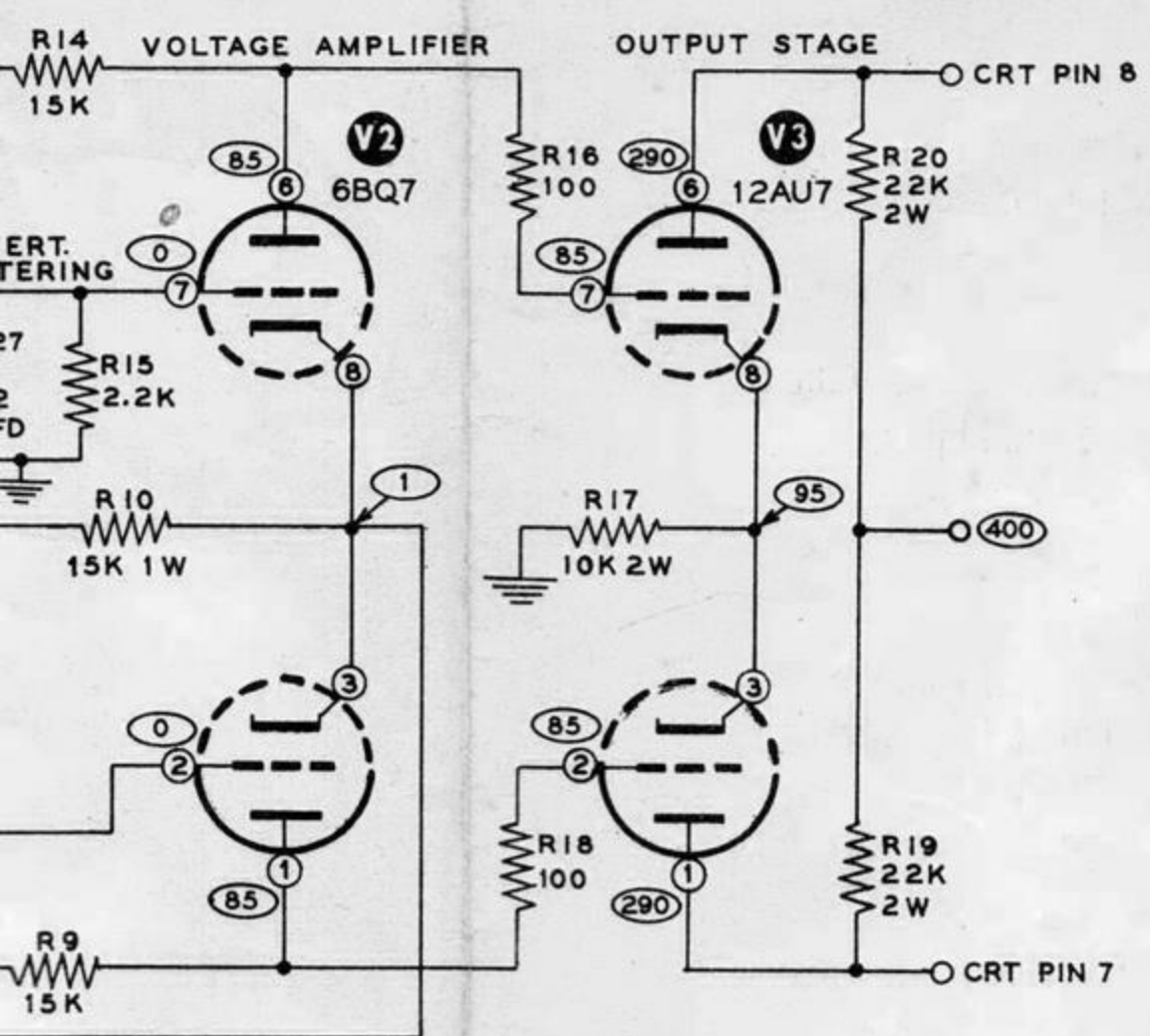
SWEEP GENERATOR



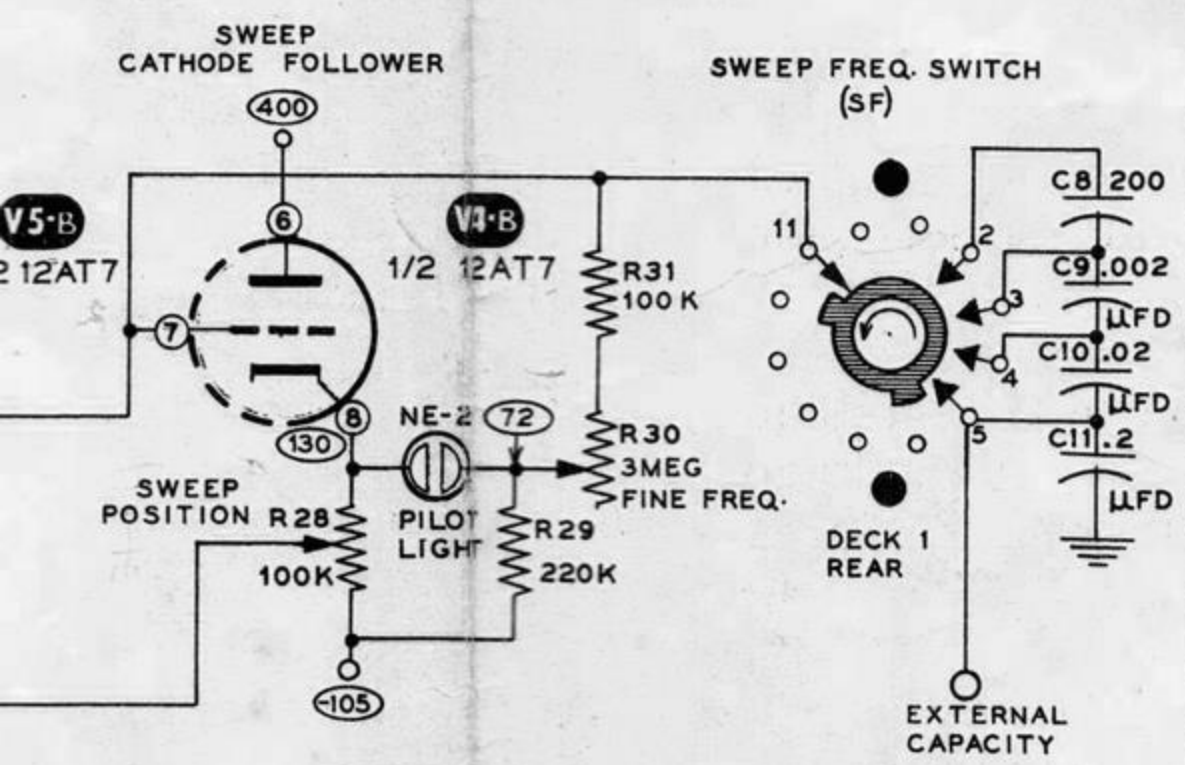
HORIZONTAL AMPLIFIER



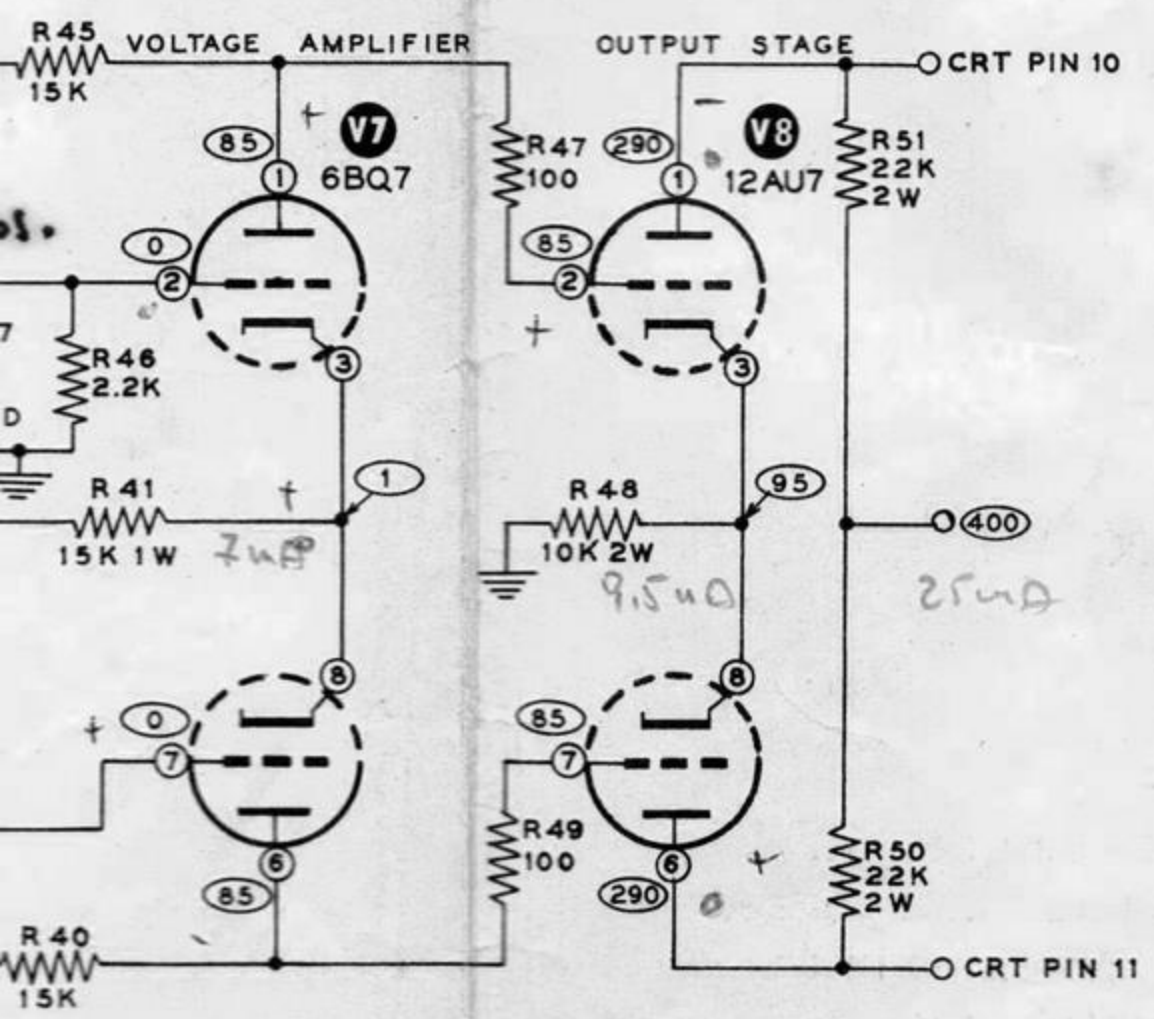
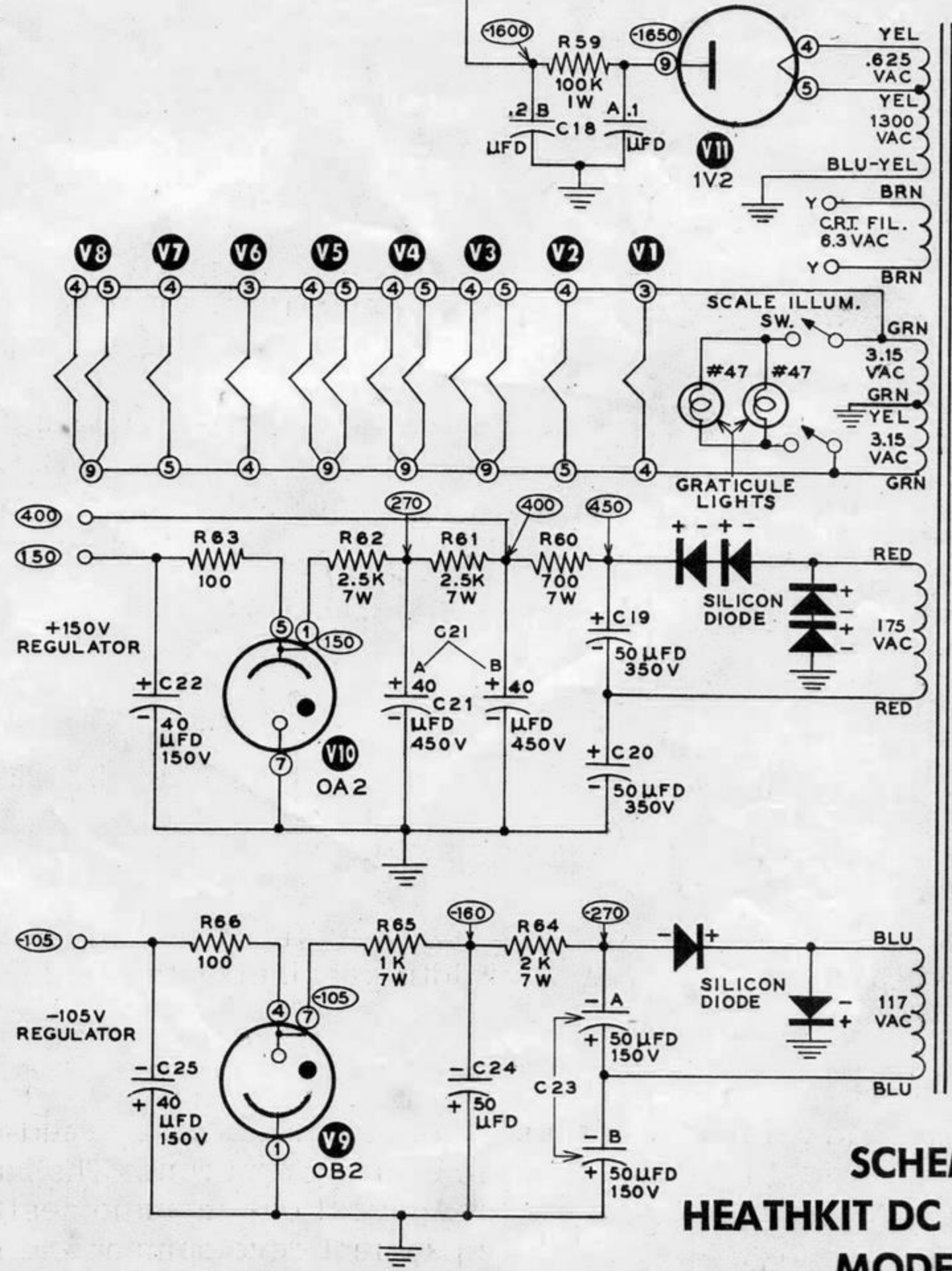
CR TUBE SECTION



- SWITCHES ARE SHOWN AND VOLTAGE READINGS TAKEN WITH SWITCHES IN THE FOLLOWING POSITIONS:
 SV - VERTICAL INPUT SWITCH "DC X100"
 SF - SWEEP FREQUENCY SWITCH "HORIZONTAL INPUT"
 SH - HORIZONTAL INPUT SWITCH "DC X100"
- ALL CAPACITORS IN μ F UNLESS OTHERWISE SPECIFIED
- ALL RESISTORS 1/2 WATT UNLESS OTHERWISE SPECIFIED
- VOLTAGES TAKEN WITH 11 MEGOHM VTVM.
- ALL VOLTAGES MEASURED WITH RESPECT TO CHASSIS GROUND.
- ALL VOLTAGES ARE POSITIVE UNLESS OTHERWISE SPECIFIED.
- ALL VOLTAGE READINGS $\pm 10\%$.
- K = 1,000.
M = 1,000,000 (MEGOHM).



POWER SUPPLY SECTION



**SCHEMATIC
 HEATHKIT DC OSCILLOSCOPE
 MODEL OR-1**