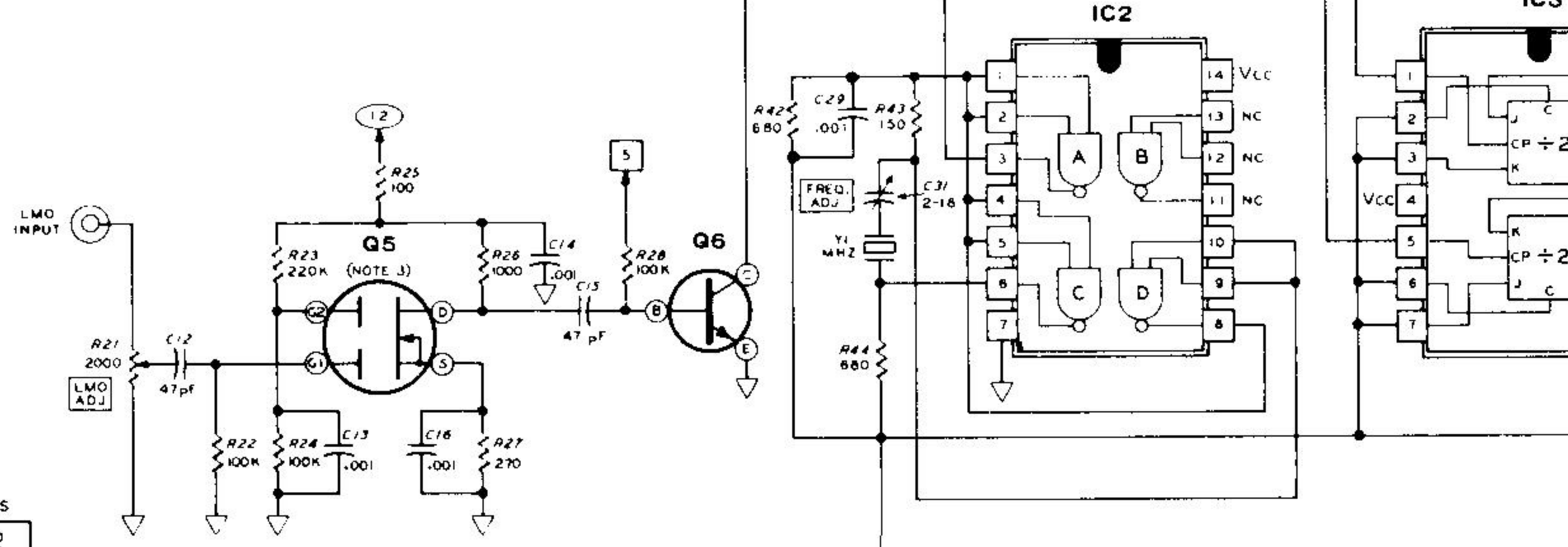
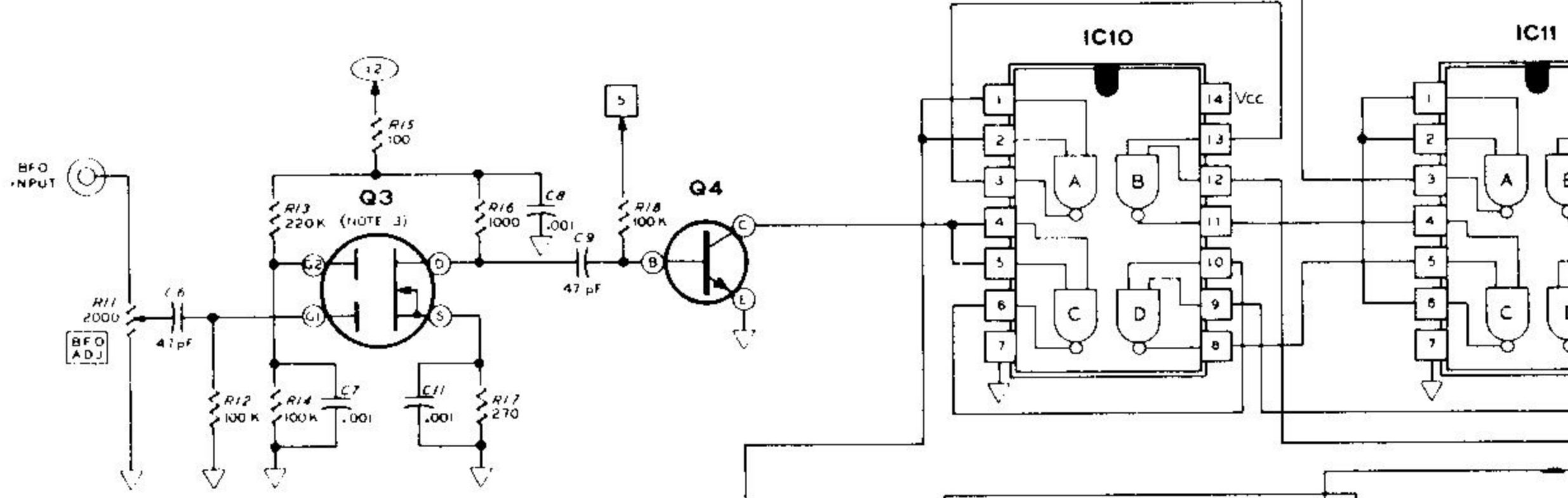
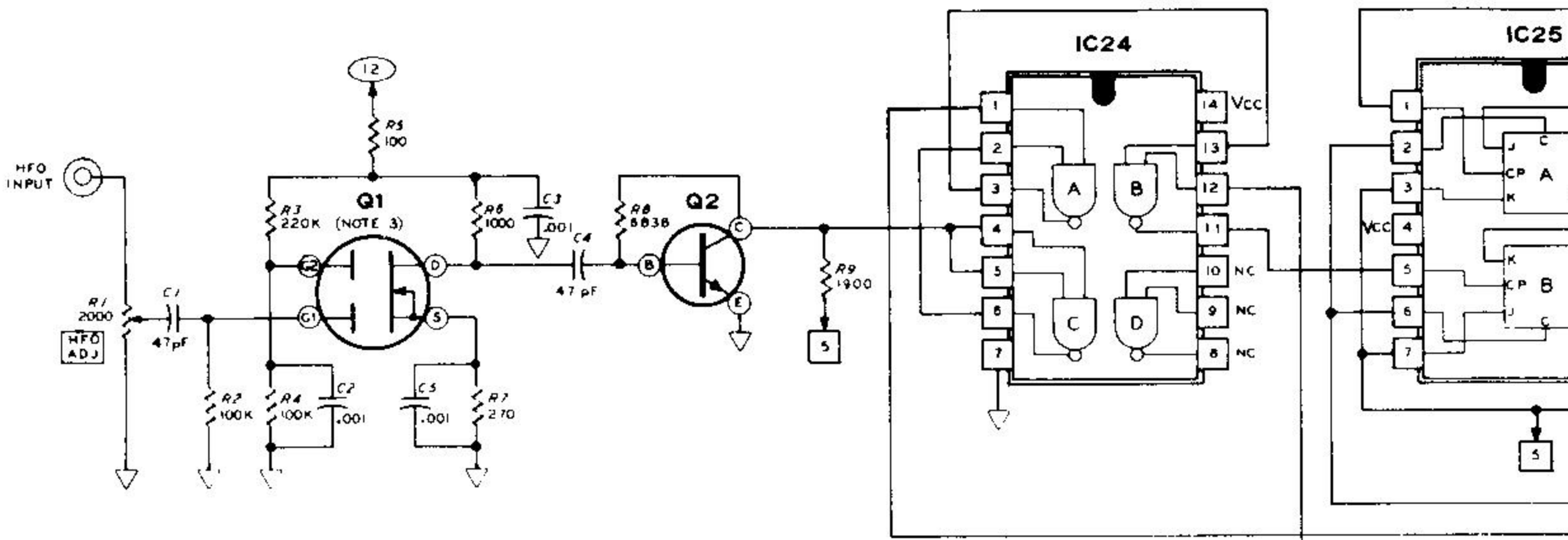
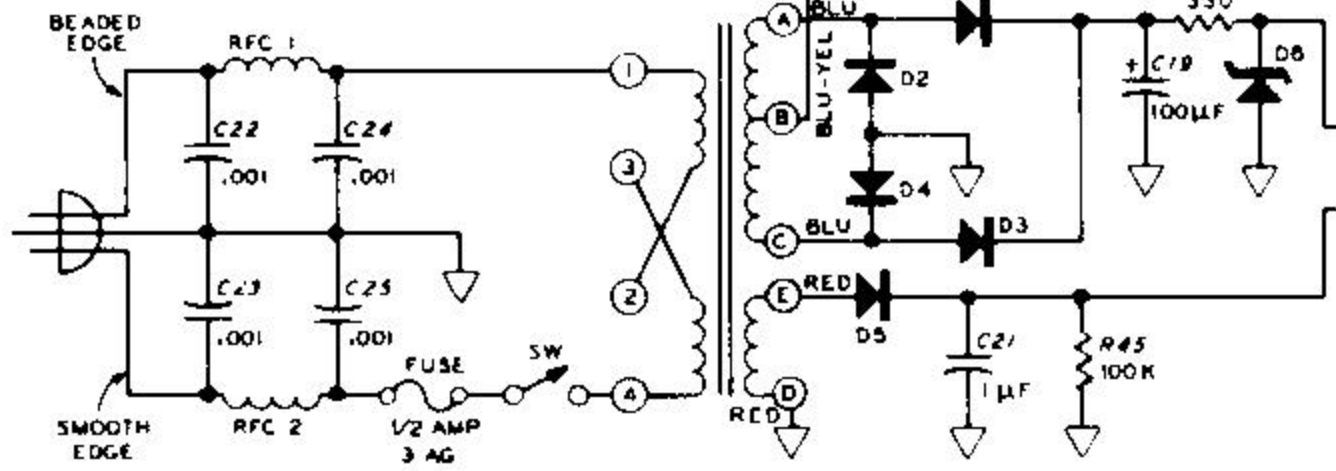


- SEE SCHEMATIC APPENDIX STARTING ON PAGE 75.
- NOTES:
1. RESISTORS ARE SHOWN IN OHMS (K=1000). ALL RESISTORS ARE 1/2 WATT.
 2. CAPACITORS IN VALUES OF LESS THAN 1 ARE IN μ F; VALUES OF 1 AND MORE ARE IN pF UNLESS OTHERWISE MARKED.
 3. EQUIPPED WITH INTERNAL PROTECTIVE DIODES. SEE SCHEMATIC APPENDIX.
 4. CP - CLOCK PULSE
NC - NO CONNECTION
VCC - 5 VDC. SEE "POWER SUPPLY CONNECTIONS" ON SCHEMATIC.
 5. THE CONTAINED FIGURE INDICATES A DC VOLTAGE AT THIS POINT.
 IF WITH AN ARROW, INDICATES FROM OR TO AN IDENTICAL SYMBOL AND CONTAINED FIGURE.
 6. REFER TO THE SCHEMATIC APPENDIX FOR ADDITIONAL INFORMATION ON THE SOLID STATE DEVICES USED.
 7. THIS SYMBOL INDICATES GROUND.

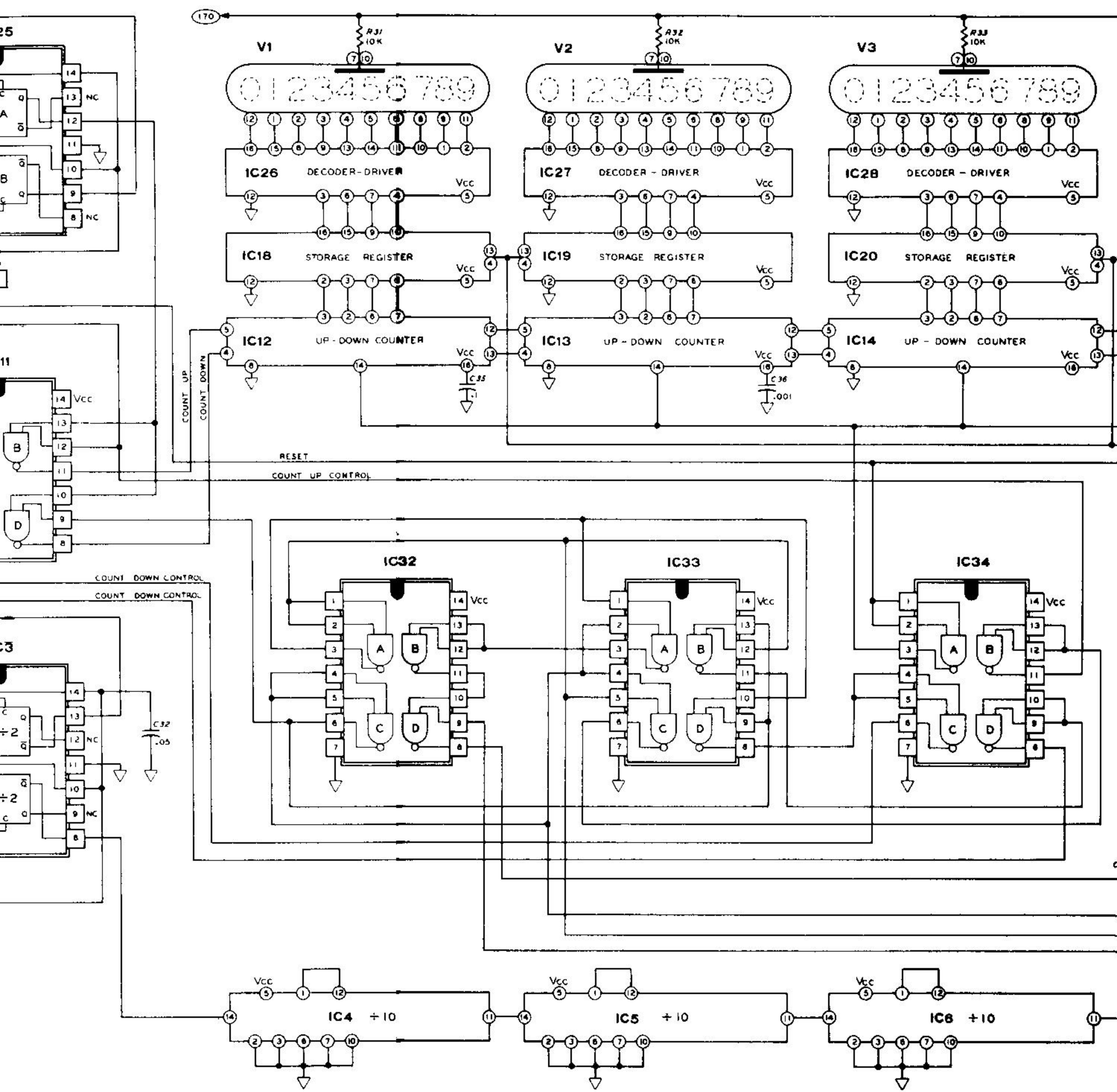


PRIMARY CONNECTIONS

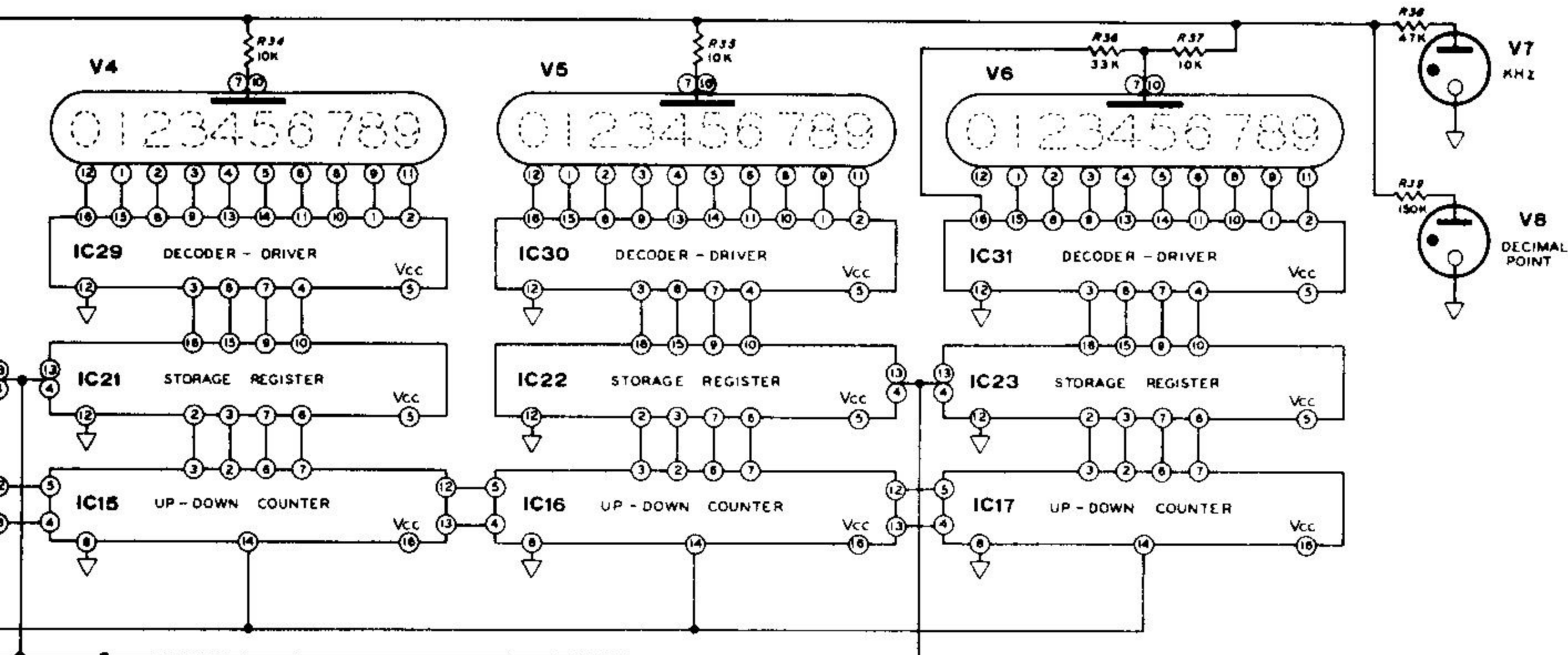
120 VAC	240 VAC
1	1
3	3
2	2
4	4



VOLTS	COMPONENT	PIN
5	IC2	14
5	IC3	4
5	IC4 THRU 9 IC26 THRU 31	5
5	Q2, 4, 8 IC10, 11, 24 IC32 THRU 35 IC25	14
5	IC12 THRU 17 IC18 THRU 23	10
12	Q1, 3, 5	
170	V1 THRU V6 V7, 8	7, 10



SCHEMATIC OF THE
HEATHKIT®
DIGITAL FREQUENCY DISPLAY
MODEL SB-650



SEE SCHEMATIC APPENDIX STARTING ON PAGE 75.

NOTES:

1. RESISTORS ARE SHOWN IN OHMS (K=1000). ALL RESISTORS ARE 1/2 WATT.
2. CAPACITORS IN VALUES OF LESS THAN 1 ARE IN μF ; VALUES OF 1 AND MORE ARE IN pF UNLESS OTHERWISE MARKED.
3. EQUIPPED WITH INTERNAL PROTECTIVE DIODES. SEE SCHEMATIC APPENDIX.
4. CP - CLOCK PULSE
NC - NO CONNECTION
Vcc - 5 VDC. SEE "POWER SUPPLY CONNECTIONS" ON SCHEMATIC.
5. THE CONTAINED FIGURE INDICATES A DC VOLTAGE AT THIS POINT.
 IF WITH AN ARROW, INDICATES FROM OR TO AN IDENTICAL SYMBOL AND CONTAINED FIGURE.
6. REFER TO THE SCHEMATIC APPENDIX FOR ADDITIONAL INFORMATION ON THE SOLID STATE DEVICES USED.
7. THIS SYMBOL INDICATES GROUND.

