

COPYRIGHT 1937 BY HEWLETT-PACKARD COMPANY
 This drawing is intended for the operation and maintenance of Hewlett-Packard equipment and is not to be used otherwise or reproduced without written consent of the Hewlett-Packard Company, 4108 T 0244

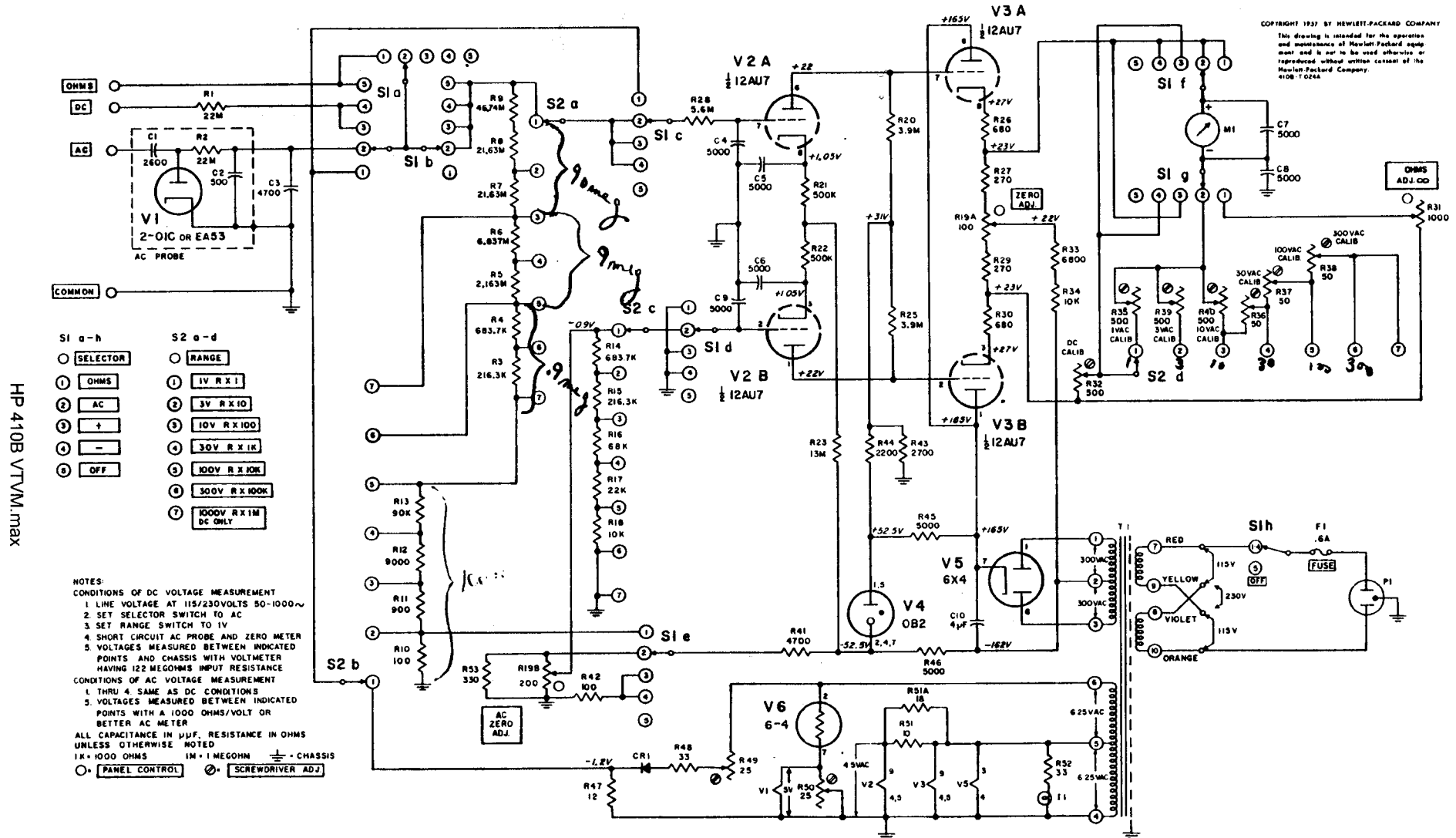


Figure 4-8 Schematic Diagram