

HP Archive

This vintage Hewlett Packard document was
preserved and distributed by

[www. hparchive.com](http://www.hparchive.com)

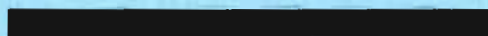
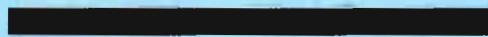
Please visit us on the web !

Scanned by on-line curator: Tony Gerbic

**** For FREE Distribution Only *****

410B VACUUM TUBE VOLTMETER

OPERATING AND SERVICE MANUAL





CERTIFICATION

The Hewlett-Packard Company certifies that this instrument was thoroughly tested and inspected and found to meet its published specifications when it was shipped from the factory. The Hewlett-Packard Company further certifies that its calibration measurements are traceable to the U.S. National Bureau of Standards to the extent allowed by the Bureau's calibration facility.

WARRANTY AND ASSISTANCE

All Hewlett-Packard products are warranted against defects in materials and workmanship. This warranty applies for one year from the date of delivery, or, in the case of certain major components listed in the operating manual, for the specified period. We will repair or replace products which prove to be defective during the warranty period. No other warranty is expressed or implied. We are not liable for consequential damages.

For any assistance contact your nearest Hewlett-Packard Sales and Service Office. Addresses are provided at the back of this manual.



OPERATING AND SERVICE MANUAL

(HP PART NO. 410B-902)

MODEL 410B
VACUUM TUBE VOLTMETER

SERIALS PREFIXED: 024

Appendix C, Manual Backdating
Changes adapts this manual to
Serials Prefixed:
024-44032 and below, below 024-,
003-31433 and below, Serials 21434-25833,
21433 and below, 04252 and below.

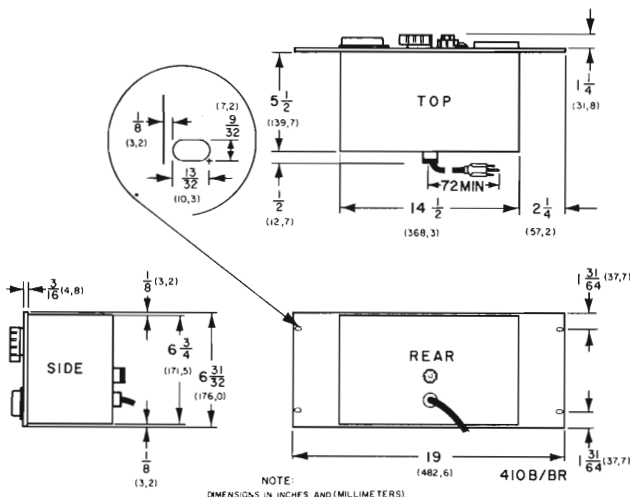
Copyright Hewlett-Packard Company 1955
P. O. Box 301, Loveland, Colorado, 80537 U.S.A.

CONTENTS

SECTION I	GENERAL	
	1 - 1	General Description I - 1
	1 - 2	Power Line Voltage I - 1
	1 - 3	Three Conductor Power Cable I - 1
	1 - 4	Accessories I - 2
	1 - 5	Initial Assembly of the Probe Assembly I - 2
	1 - 6	Meter Movement Mechanical Zero I - 2
SECTION II	OPERATING INSTRUCTIONS	
	2 - 1	Operating Controls and Terminals II - 1
	2 - 2	Operating Adjustments II - 1
	2 - 3	Step-by-Step Operating Procedures II - 2
	2 - 4	Procedure for Measuring DC Voltages II - 2
	2 - 5	Procedures for Measuring AC Voltages II - 3
	2 - 6	Procedure for Measuring Resistances II - 4
	2 - 7	Electrical Characteristics of the Diode and Probe II - 4
	2 - 8	AC Measurement Precautions II - 6
	2 - 9	Pulse Measurements II - 7
	2 - 10	Resistance Measurement Above 500 Megohms II - 8
SECTION III	THEORY OF OPERATION	
	3 - 1	General III - 1
	3 - 2	R-F Rectifier III - 2
	3 - 3	Range Extending Resistors III - 3
	3 - 4	DC Amplifier III - 3
	3 - 5	Meter Circuit III - 3
	3 - 6	Resistance Measurement III - 5
	3 - 7	Power Supply III - 5
SECTION IV	MAINTENANCE	
	4 - 1	Introductory IV - 1
	4 - 2	Tube Replacement IV - 1
	4 - 3	Replacement of Ballast Tube V6 IV - 3
	4 - 4	Basic Voltage Calibration IV - 3
	4 - 5	AC Voltage Calibration IV - 4
	4 - 6	Ohmmeter Adjustments IV - 4
	4 - 7	Troubleshooting Chart IV - 5
SECTION V	REPLACEABLE PARTS	
	5 - 1	Introduction V - 1
	5 - 4	Ordering Information V - 1
	5 - 6	Non-listed Parts V - 1
Appendix		
A	CODE LIST OF MANUFACTURERS	
B	SALES AND SERVICE OFFICES	
C	MANUAL BACKDATING CHANGES	

SPECIFICATIONS

RANGES:	1 to 300 volts full scale in 6 ranges: 1, 3, 10, 30, 100, and 300 volts AC or DC and 0-1000 volt range DC. Resistance 0.2 ohm to 500 megohms in seven ranges. Mid-scale reading of 10, 100, 1,000, 10,000, 100,000 ohms, 1 megohm, and 10 megohms.
ACCURACY:	$\pm 3\%$ of full scale on all ranges on sinusoidal AC voltages and DC voltages. The AC portion of the instrument is a peak-reading device, calibrated in rms volts. Ohmmeter accuracy is ± 1 ohm at mid-scale of RX1 range, $\pm 5\%$ at mid-scale of all other ranges.
FREQUENCY RESPONSE:	Frequency response is flat within ± 1 db up to 700 mc and drops off less than 1 db at 20 cps. Probe resonant frequency is about 1,250 mc and an indication can be obtained up to 3,000 mc.
INPUT IMPEDANCE:	Input capacity is 1.5 pf; input resistance is 10 megohms at low frequencies. At high frequencies resistance drops off due to dielectric losses. DC input resistance is approximately 122 megohms for all ranges.
PROBE:	The probe is approximately 1" (2.54 cm) diameter and 4-1/2" (9.4 cm) long. It is equipped with a ground clip, and the connector may be soldered to the point under test. Adapting connectors are available to measure voltages in coaxial transmission lines.
POWER SUPPLY:	115/230 volts $\pm 10\%$, 50/1,000 cps, 40 watts.
SIZE:	Cabinet Mount: 11-1/2" (29.2 cm) high, 7-3/8" (18.7 cm) wide, 8-3/4" (22.2 cm) deep. Compartment at rear of instrument stores probe and test leads when not in use.
WEIGHT:	Cabinet Mount: 12 lbs.(5.4 kg); shipping weight approximately (7.65kg) Rack Mount: 12 lbs.(5.4 kg); shipping weight approximately (9.0 kg)
RACK MOUNTING:	Available on standard RETMA 7" x 19" panel.



**ACCESSORIES
AVAILABLE:**

- 11039A Capacitive Voltage Divider, 25 KV max., requires 11018A Adapter.
- 11040A Capacitive Voltage Divider, 2 KV max.
- 11042A Probe Coaxial "T" Connector, for Type "N" systems.
- 11044A DC Resistive Voltage Divider, 30 KV max.
- 11043A Coaxial "N" Connector, adapts to Type "N" systems.



410B Vacuum Tube Voltmeter

WARNING

The a-c probe shell, the common ground clip lead, the instrument chassis and cabinet, and the green grounding lead in the three-conductor power cable are electrically connected together at all times. When the NEMA connector is used in the proper manner, a ground path is established between the 410B and equipment which is also grounded. Do not connect the ground clip lead or the a-c probe body to any point which is not at ground potential because a short circuit will be created. If such a measurement is necessary, disconnect the NEMA ground in the power cable by using an adapter with the grounding pig-tail removed, and the cabinet insulated from ground. THE 410B CABINET WILL BE AT THE SAME POTENTIAL AS THE NEGATIVE CLIP LEAD. CAUTION MUST BE USED IF THE CLIP LEAD IS CONNECTED TO A POINT WHICH IS MORE THAN A FEW VOLTS OFF GROUND. BECAUSE OF THE POTENTIAL HAZARD TO PERSONNEL, THIS METHOD IS NOT RECOMMENDED.

One side of almost all power distribution systems is grounded. Extreme caution must be used if direct measurement of power system voltages is attempted. If the ground clip lead is accidentally connected to the ungrounded side of the line, severe damage to the 410B is possible because of the short circuit created. Power line voltages can be safely measured by using the probe Tip only. Contacting the grounded power conductor will give a reading of 0 volts while contacting the ungrounded lead will give full line voltage reading.

The 410B is designed for the measurement of audio and r-f voltages and is excellent for this purpose. In normal practice these voltages are almost always measured with respect to chassis ground and no concern need be given to grounds. D-C voltages can almost always be determined by measurements with respect to ground, either directly or by subtraction.

SECTION I GENERAL

1-1 GENERAL DESCRIPTION

The hp Model 410B is a laboratory quality volt-ohmmeter that has been especially designed for making accurate voltage measurements in the frequency range from 20 cps to over 700 mc per second, with useful indications at frequencies as high as 1500 megacycles. The instrument has full scale a-c ranges of 1, 3, 10, 30, 100 and 300 volts, with an input resistance of 10 megohms at low frequencies, shunted by $1.5 \mu\text{mf}$. Dc ranges are provided with full scale values of 1, 3, 10, 30, 100, 300 and 1,000 volts. The dc input resistance is approximately 122 megohms on all ranges. The ohmmeter ranges have mid-scale values of 10, 100, 1,000, 10,000, 100,000, 1,000,000, and 10,000,000 ohms. Accurate resistance readings from 1 ohm to 500 megohms are easily made.

The meter scale calibration is very straight forward. All dc voltage ranges and ac ranges 10 volts and above are read on two black scales calibrated 0-1 and 0-3. Due to non linearity of the diode at very low voltages, the 1 and 3 volt ac ranges are read on special, separate, red scales.

All resistance readings are made on one OHMS scale. Figure 1-1 is a drawing of the 410B meter scales.

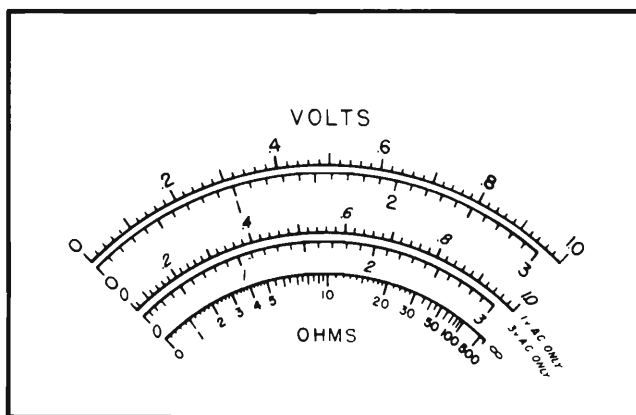


Figure 1-1. Meter Scale Calibration hp 410B

Power for the ohmmeter circuits is supplied by the instrument power supply which eliminates the necessity of using any battery with its attendant maintenance.

The high accuracy obtained with all voltage measurements makes the hp Model 410B useful for a wide variety of laboratory and field applications, especially in high frequency work. Construction of the a-c probe is such as to enable the operator to minimize lead length and input capacity, factors which usually restrict the high frequency range in instruments of this type. The wide range of a-c and d-c voltage and resistance measurements combined with convenience of operation make the 410B very useful for all types of circuit testing and trouble shooting as well as development work.

1-2 POWER LINE VOLTAGE

When the instrument leaves the factory, the dual 115 volt primary windings of the power transformer are connected in parallel for operation from a nominal 115 volt source. If operation from a nominal 230 volt supply is desired, the windings may be easily reconnected in series. Refer to the schematic drawing for details. Install the correct power line fuse as listed in the Table of Replaceable Parts.

1-3 THREE CONDUCTOR POWER CABLE

The three conductor power cable supplied with this instrument is terminated in a polarized three-prong male connector recommended by the National Electrical Manufacturers' Association. The third contact is an offset round pin, **WHICH GROUNDS THE INSTRUMENT CHASSIS** when used with the appropriate receptacle. To use the NEMA connector

in a standard two-contact receptacle, a three-prong to two-prong adapter should be used. The ground connection emerges from the adapter as a short lead which should be connected to a suitable ground for the protection of operating personnel.

1-4 ACCESSORIES

The 410B is not furnished with any accessories, however a number of special accessories are made by $\text{\textcircled{hp}}$ which extend the a-c and d-c voltage range of the instrument and facilitate a-c measurements in coaxial systems. A description of these accessories and their specifications is contained below; the accessories are shown in Figure 1-2.

a. $\text{\textcircled{hp}}$ Model 11040A Capacitive Voltage Divider

The Model 11040A Capacitive Divider shown in Figure 1-2a extends the a-c voltage range of the 410B Multimeter to 2000 volts rms. The divider is for use at frequencies above 10 kilocycles. Voltage division is 100:1, $\pm 1\%$, and the input capacity is approximately 2 micromicrofarads.

b. $\text{\textcircled{hp}}$ Model 11039A Capacitive Voltage Divider

The Model 11039A Capacitive Divider shown in Figure 1-2b extends the a-c voltage range of the 410B Multimeter to as much as 25 kilovolts. This divider permits measurement of extremely high a-c voltages such as are encountered in dielectric heating equipment and similar applications. The frequency range of the divider is from 25 cps to 20 mc, although as frequency increases, the divider is de-rated to limit the r-f current flowing through its capacitors. A fixed gap is provided so that breakdown will occur if the applied voltage exceeds about 28 kv at low frequencies. Voltage division is 1000:1, $\pm 3\%$, and the input capacity is 15 micromicrofarads. An adapter, $\text{\textcircled{hp}}$ 11018 A, is also required to connect the 410B AC probe to the shielded banana plug fitting of the 11039A. (The 11039A fitting is designed for use with a 400 D type meter.)

c. $\text{\textcircled{hp}}$ Model 11043A Probe Coaxial "N" Connector

The Model 11043A coaxial connector shown in Figure 1-2c allows the a-c probe of the 410B Multimeter to be connected to a 50-ohm coaxial line. The connector uses a female type N connector and a receptacle for receiving the a-c probe of the 410B voltmeter. No terminating resistor is included.

d. $\text{\textcircled{hp}}$ Model 11042A Coaxial "T" Connector

For measurements at the higher frequencies the special T-joint shown in Figure 1-2d has been

designed for connecting the 410B Multimeter across a 50-ohm transmission line using type N connectors. The T-joint has been designed so that the connection of the multimeter into a transmission line circuit will not cause a standing wave ratio greater than 1.1 at 500 megacycles and 1.2 at 1000 megacycles. With the aid of this device, measurement of power traveling through a transmission line may be made with reasonable accuracy to 1000 mc. The usual precautions must be taken to provide accurate impedance matching and the elimination of standing waves along the line through which power is flowing. By using a dummy load at the receiving end of this T-joint, power output of various devices can be measured. In many applications power going into a real load, such as an antenna, can be conveniently measured up to frequencies as high as 1000 megacycles with good accuracy.

e. $\text{\textcircled{hp}}$ Model 11044A DC Resistive Voltage Divider

The Model 11044A dc voltage divider shown in Figure 1-2e extends the dc voltage range of the $\text{\textcircled{hp}}$ Model 410B to a maximum of 30 kilovolts. Division ratio is 100:1, $\pm 5\%$, and the input impedance is 12,000 megohms. This probe offers maximum safety and convenience for measuring high voltages such as in television equipment, etc. The maximum circuit loading is 2.5 microamperes.

1-5 INITIAL ASSEMBLY OF THE PROBE ASSEMBLY

The 410B is shipped from the factory with the probe assembly packed in a compartment accessible by removal of the rear cover. The banana-plug connector should be plugged into the bottom of the instrument and secured with the two machine screws.

1-6 METER MOVEMENT MECHANICAL ZERO

Whenever the meter pointer does not indicate exactly on zero, the pointer should be reset to zero. For most accurate positioning of the pointer, turn the instrument on for about 15 minutes to allow it to reach operating temperature. Turn off the power and wait at least 30 seconds for the capacitors in the instrument to discharge.

The adjust screw is in the meter frame at a mid-point immediately below the meter face. The adjustment is made properly only when the pointer is traveling in the opposite direction to the turn of the adjust screw. Although the adjust screw may be turned in either direction, a practical procedure is to turn the screw in a clockwise direction until the pointer starts to swing back toward zero. Then, still turning the screw clockwise, bring the pointer (now traveling counterclockwise), back to zero.



1-2a -hp- Model 11040A
Capacitive Voltage Divider



1-2b -hp- Model 11039A
Capacitive Voltage Divider



1-2c -hp- Model 11043A
Probe Coaxial "N"
Connector



1-2d -hp- Model 11042A Coaxial "T" Connector



1-2e -hp- Model 11044A DC Resistive Voltage Divider

Figure 1-2. Accessories for Model 410B

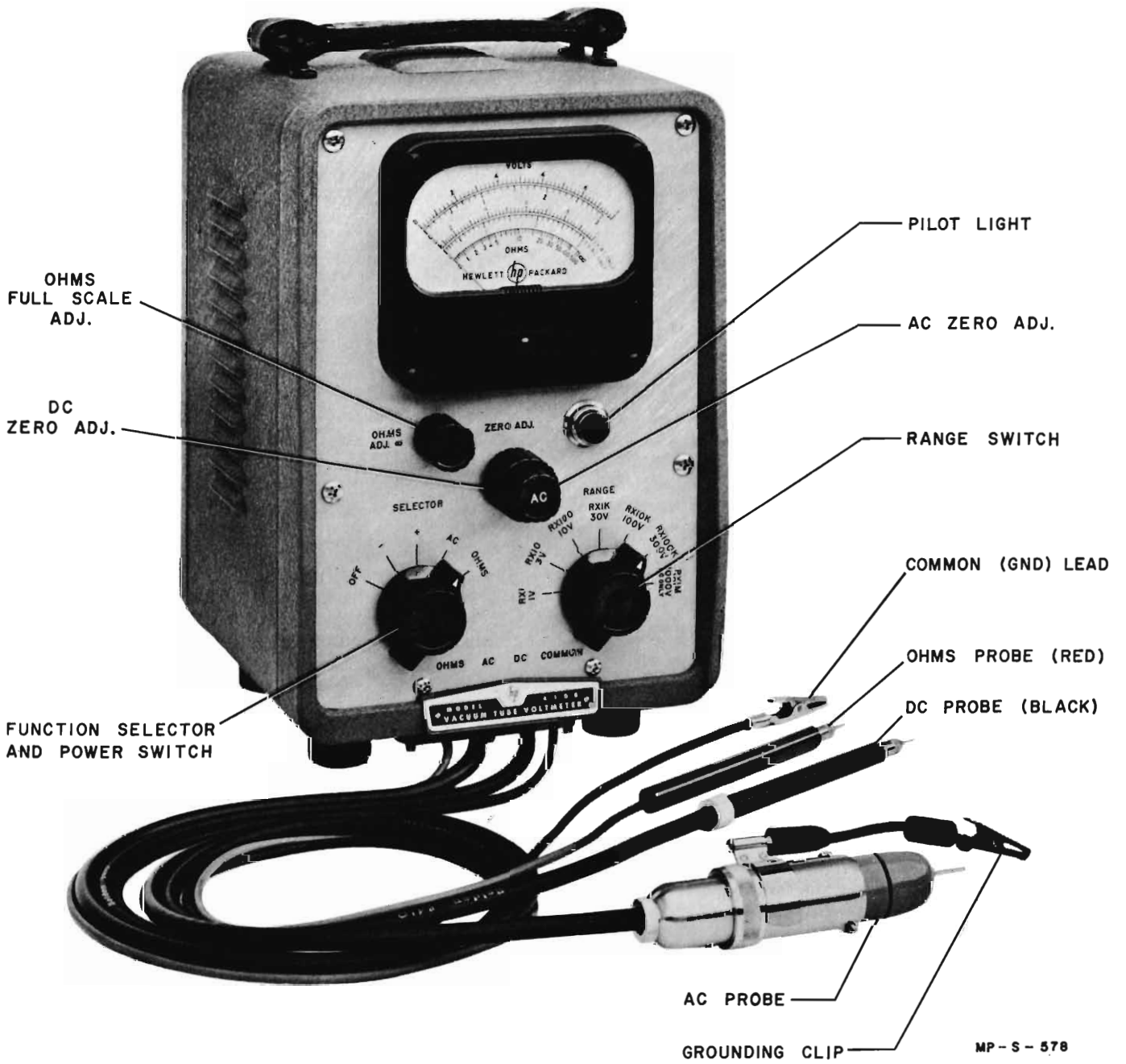


Figure 2-1. Model 410B Controls and Terminals Labeled

SECTION II

OPERATING INSTRUCTIONS

2-1 OPERATING CONTROLS AND TERMINALS

A description of each of the front panel controls, the test probes, and the meter follows:

SELECTOR - This five-position switch turns the instrument on; provides for measurements of negative or positive d-c voltage, a-c voltage, or resistance; and connects the appropriate probe for the desired measurement.

RANGE - This switch selects the full-scale voltage or resistance range to be used.

ZERO ADJ. - The larger, fluted knob is a basic zero adjustment that sets the meter pointer to zero when the SELECTOR switch is set at - and +. The smaller knob marked AC is used to set the meter pointer to zero following the basic zero adjustment and with the SELECTOR switch set to AC.

OHMS ADJ. ∞ - This knob adjusts the meter pointer to full scale (∞) when the SELECTOR switch is set to OHMS.

OHMS, AC, DC, COMMON - The designation at the bottom of the control panel identify the various test leads, which are connected underneath the instrument. The connector can be removed by unscrewing the two captive round head screws in either end of the connector. Once installed, the three probes need not be removed, although only the one probe in use is connected through the SELECTOR switch to the internal circuits. Each probe has the specialized function described below.

OHMS - The red rubber-covered cable with the red plastic prod is used in measuring resistance. The prod is equipped with a small chuck to hold a steel phonograph needle. The instrument is shipped from the factory with the sharp point of the needle inside the chuck and can be reversed if it is necessary to employ a sharp point for good connection.

The probe is the negative side of the internal voltage source used for resistance measurements.

AC - A cable that terminates in the shielded probe is used for ac voltage measurements. The probe tip contacts the point in a circuit where a voltage is to be measured and the clip lead on the probe connects to the ground side of the circuit.

DC - The black, shielded cable with the black plastic prod is used to measure d-c voltages. The prod is equipped with a small chuck to hold a steel phonograph needle. The instrument is shipped from the factory with the sharp point of the needle inside the chuck and can be reversed if it is necessary to employ a sharp point for good connection.

COMMON - The black rubber-covered wire terminated in an alligator clip is the negative connection for all measurements except those made with the clip lead on the end of the AC probe. The common lead is connected directly to the chassis of the instrument and to the third grounding conductor in the power cable. When making resistance measurements this lead is positive with respect to the red prod.

FUSE - The fuseholder, located behind the cover in the rear compartment of the instrument, contains a 0.6 amp slow-blow, 115 volt line cartridge fuse replaceable by unscrewing the fuseholder cap and inserting a new fuse. A 0.25 amp slow-blow fuse should be used if the instrument is operated on 230 volts.

2-2 OPERATING ADJUSTMENTS

The hp Model 410B has three front panel operating adjustments: ZERO ADJ., AC ZERO ADJ., and OHMS ADJ. ∞ . ZERO ADJ. sets the meter pointer to zero when the selector switch is in the - and in the + positions and must be adjusted before the AC and the OHMS adjustments are made. AC ZERO ADJ. adjusts the meter pointer to zero when the selector switch is in the AC position to compensate for any small residual meter reading that appears as the a-c probe is switched into operation. The

AC ZERO should be adjusted when the range switch is on the 1 volt range. OHMS ADJ. ∞ sets the meter pointer to full-scale when the selector switch is turned to the OHMS position.

2-3 STEP-BY-STEP OPERATING PROCEDURES

A. Basic Zero Adjustment

- 1) Connect the power cable to the power line. Set the SELECTOR switch to the (-) position and allow instrument to heat for five minutes for stable operation.
- 2) Connect the DC and COMMON test leads together. Adjust the ZERO ADJ. (outer concentric knob) control so that the meter indicates zero with the RANGE switch set to the 1 volt range.
- 3) Set the SELECTOR switch to + and note the meter reading. If the needle point has shifted, set ZERO ADJ. so that the needle returns to the same position for both - and + positions of the SELECTOR switch.
- 4) Proper zero set is indicated when the meter zero does not shift when the SELECTOR switch is changed from (+) to (-) and back.

B. AC Zero Adjustment

- 1) Make the Basic Zero Adjustment described above.
- 2) Set the SELECTOR switch to AC and set the RANGE switch to the 1 volt position.
- 3) Connect the AC probe clip lead to the probe tip.
- 4) Adjust the AC knob to bring the meter pointer to 0.

C. OHMS Full-Scale and Zero Adjustment

- 1) Make the Basic Zero Adjustment described above.
- 2) Set the SELECTOR switch to OHMS.
- 3) Adjust the OHMS ADJ. ∞ control so that the meter pointer indicates ∞ on the ohms scale. The OHMS and COMMON test leads must not be connected together when making this adjustment.
- 4) To use the ohmmeter without making the basic zero or AC adjustment, connect the OHMS and COMMON test leads together, set the RANGE switch to RX1K or higher range, and adjust the ZERO ADJ. (outside concentric knob) until the meter pointer indicates zero on the ohms scale.

- 5) With the OHMS test lead not shorted, set the OHMS ADJ. ∞ knob to bring the pointer to ∞ .

The multimeter is now ready for operation. Before attempting to make an actual measurement, study the operating procedures described in the paragraphs below.

CAUTION

The voltmeter COMMON, the AC PROBE ground clip lead, the instrument chassis and cabinet are all electrically tied together at all times. In addition, the third (green) lead in the power cable is tied to the chassis. If the three prong NEMA connector is used in a proper mating receptacle, the 410B will be connected to the power system ground. When making voltage measurements, ac or dc, positive or negative, always connect the voltmeter COMMON or the AC PROBE ground clip lead to the chassis, or ground, of the equipment under test. Connecting the ground clip to any other point will automatically ground that point to the power system ground. If a ground path in the equipment under measurement also exists to the power ground, a short circuit will result. If a three-prong to two-prong adapter is used with the pig-tail ground lead disconnected, the cabinet of the 410B will assume the same potential as the point to which the clip lead is connected. For safety's sake, it is best not to make measurements with the ground clip lead connected to points not at chassis potential. In almost every case the measurement can be made successfully by reading the voltages with respect to ground and then subtracting one reading from the other.

2-4 PROCEDURE FOR MEASURING DC VOLTAGES

- a. Make the basic zero adjustment described earlier in paragraph 2-3.
- b. Set the SELECTOR switch to either the (+) or (-) position, depending upon the polarity of the voltage to be measured.
- c. Set the RANGE switch to the range that includes the voltage to be measured.
- d. Connect the COMMON test lead to the ground side of the circuit to be measured and touch the DC VOLTS prod to the point in the circuit being measured.
- e. Read the measured voltage from the meter, multiplying the indicated value by the appropriate factor. Dc voltages are read from the two top meter scales, 0-1 and 0-3, printed in black.

2-5 PROCEDURES FOR MEASURING AC VOLTAGES

- a. Make the AC ZERO adjustment described above.
- b. Set the RANGE switch to the range that includes the voltage to be measured.

CAUTION: The ac probe blocking capacitor is rated at 500 volts, do NOT connect the ac probe to higher voltages. Before measuring voltages above 50 megacycles, consult Figure 2-2 a graph of maximum applied voltage vs. frequency. Certain other precautions apply to ac voltage measurements, they are discussed in paragraph 2-8.

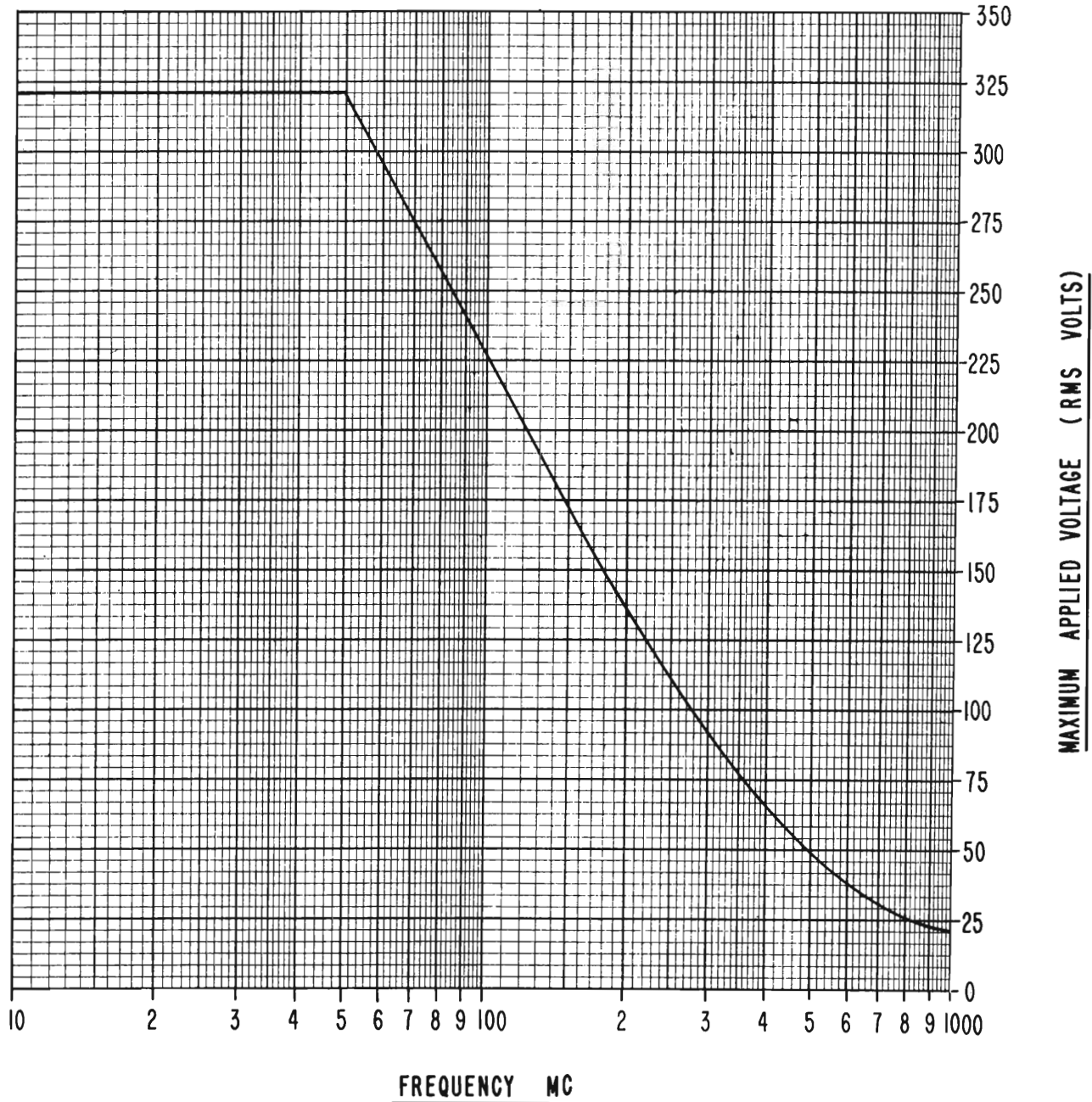


Figure 2-2. Maximum Voltage that can Safely be applied to AC Probe for Frequencies above 50 Megacycles

- c. Connect the ground clip lead on the a-c probe to ground of the circuit being measured and touch the a-c probe tip to the other side of the circuit being measured. (For audio frequencies the ground lead from the voltmeter chassis may be used for negative connection instead of the ground lead on the a-c probe, if desired.)
- d. The measured voltage is then read from the meter. The full-scale value of the meter is indicated by the setting of the RANGE switch.

NOTE

The 0 - 1V and 0 - 3V meter scales printed in red are for use only with the 1V and 3V a-c positions of the RANGE switch. The remainder of the alternating voltage ranges are read from the two top meter scales (0 - 1 and 0 - 3) printed in black.

2-6 PROCEDURE FOR MEASURING RESISTANCES

CAUTION

TURN OFF EQUIPMENT THAT IS TO BE TESTED BEFORE MAKING RESISTANCE MEASUREMENTS. Be certain that no residual voltages remain in the circuit being measured. When making a leakage resistance measurement on paper capacitors on the RX1Meg range, a reading of greater than ∞ is sometimes measured with the OHMS leads connected one way and a fairly low value of resistance will be measured with the OHMS leads reversed. This is caused by a surface charge in the dielectric of the capacitor which leaks out after the capacitor is first discharged and builds up another slight voltage across the terminals. Since the 410B operates at a very high im-

pedance level, this small voltage will cause erroneous resistance readings. Generally, keeping the capacitor terminals shorted for a few minutes will reduce this charge to zero and a correct reading can be made. This phenomenon will not occur on any of the lower ranges.

- a. Make the OHMS adjustment described in paragraph 2-3C.
- b. Set the SELECTOR switch to the OHMS position.
- c. Connect the COMMON and OHMS test leads to the resistance to be measured.
- d. Set the RANGE switch to the position that gives the largest up-scale meter indication.
- e. Read resistance value from bottom scale on meter. The resistance is equal to the scale indication times the multiplying factor shown by the position of RANGE selector.
- f. Resistance readings up to a million megohms or higher are possible with an external battery. Refer to paragraph 2-10 for details.

2-7 ELECTRICAL CHARACTERISTICS OF THE DIODE AND PROBE

The ϕ Model 410B measures a-c voltages from 1 volt full-scale to 300 volts full-scale in the frequency range from 20 cycles to 60 megacycles and measures reduced voltages to 700 megacycles. The basic accuracy is $\pm 3\%$ for measurement of sine waves up to 60 megacycles per second, while the frequency response is ± 1 db over the entire frequency range

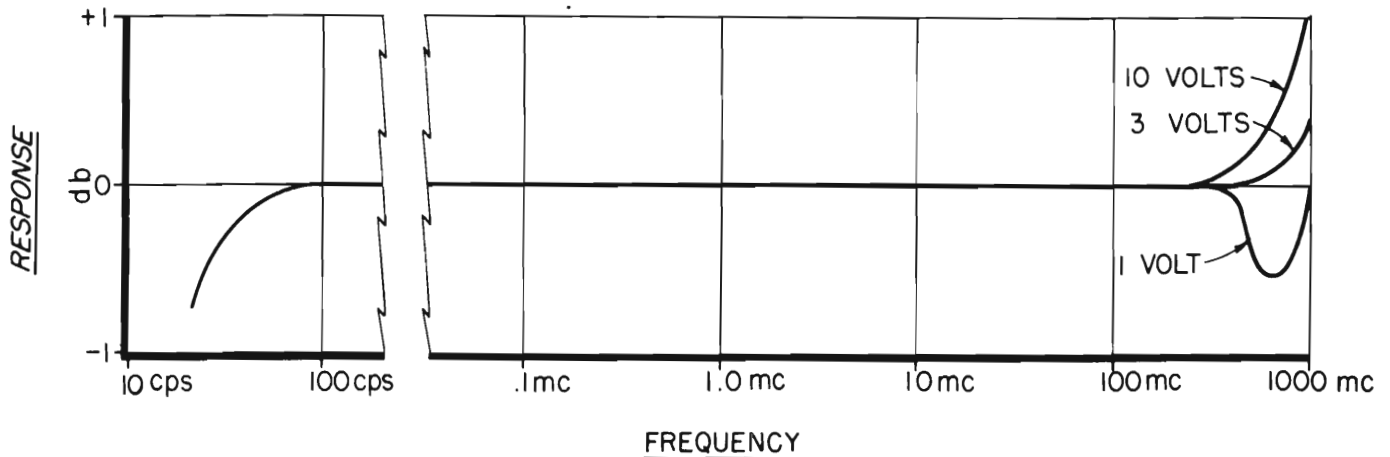


Figure 2-3. Ratio of Indicated to Actual Voltage as a Function of Frequency

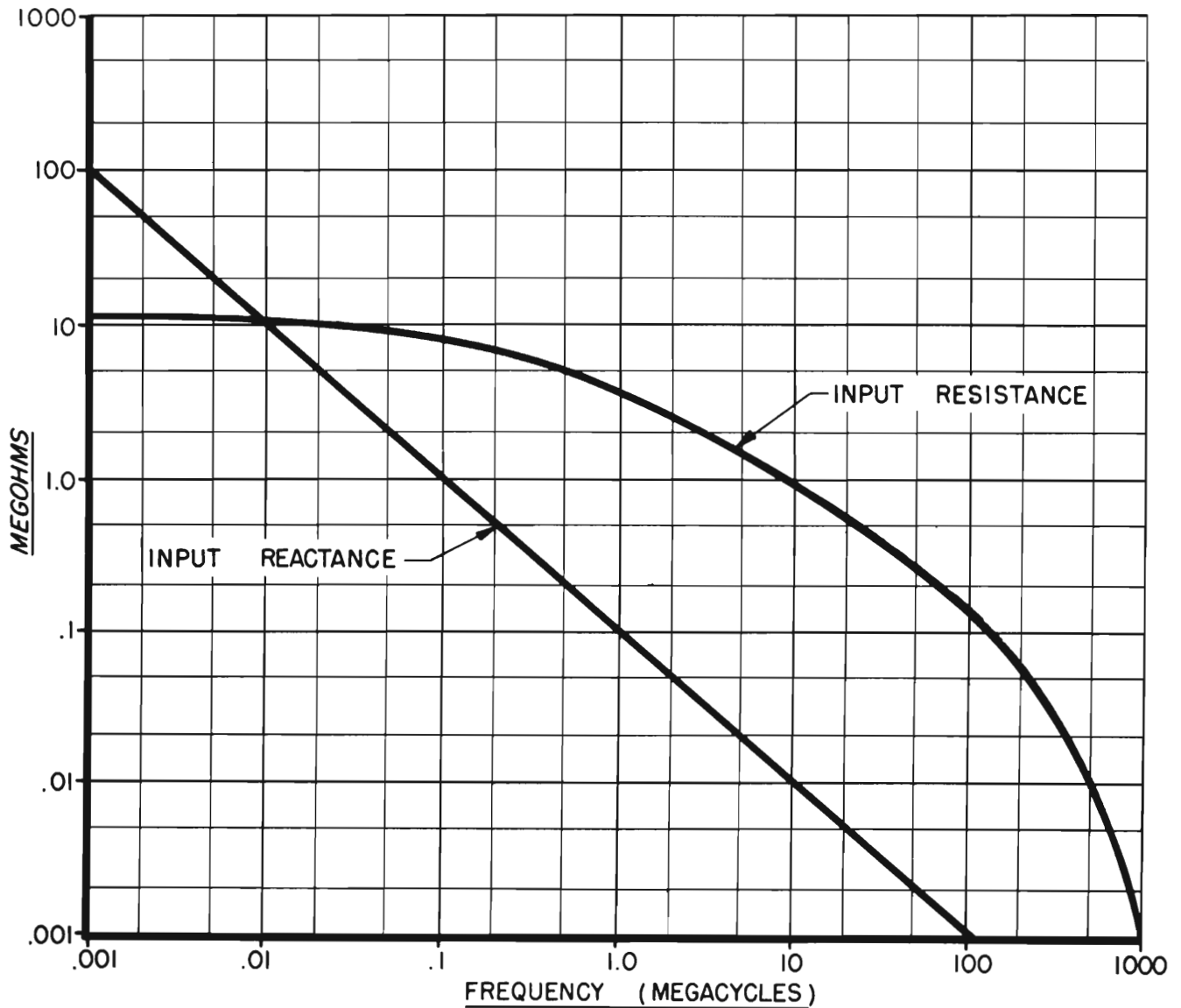


Figure 2-4. Input Resistance and Reactance of Model 410B Diode Probe

from 20 cycles to 700 megacycles per second. The 410B continues to be useful up to the probe resonant frequency of approximately 1250 megacycles, and indications can be obtained up to 3000 megacycles.

A performance curve for the probe, showing the ratio of indicated to actual voltage as a function of frequency, is plotted in Figure 2-3. At low and medium frequencies the response is flat. At high frequencies, however, the response is affected by two factors: transit time of the probe diode, which is dependent upon the magnitude of the applied voltage; and the resonant frequency of the probe, which is independent of the applied voltage. The effect of

transit time is indicated by the dip in the 1-volt curve in the vicinity of 500 mc. The rise of the 3-volt and 10-volt curves is due to the effects of resonance in the probe, which overshadow the effects of transit time.

The input resistance and shunt capacitive reactance components in the circuit within the a-c probe are shown in the graph Figure 2-4. At low frequencies the input resistance exceeds 10 megohms, decreasing at higher frequencies because of dielectric and tube losses. The shunt capacity component of input impedance is approximately 1.5 micromicrofarads.

2-8 AC MEASUREMENT PRECAUTIONS

Special considerations must be kept in mind when making a-c voltage measurements. These considerations are discussed in the following paragraphs.

a. General Consideration of Complex Waveforms

Waveforms containing appreciable harmonics or spurious voltages will introduce errors in the meter indication since the meter has been calibrated to read rms values of true sine waves while the a-c probe is a peak-responding device. The magnitude of error that may be expected when harmonics are present on the measured waveform is indicated in the Table below.

Table 2-1. Possible Error when Measuring Voltage of Complex Waveforms

% Harmonic	True RMS Value	Model 410B Indication
0	100	100
10% 2nd	100.5	90 to 110
20% 2nd	102	80 to 120
50% 2nd	112	75 to 150
10% 3rd	100.5	90 to 110
20% 3rd	102	87 to 120
50% 3rd	112	108 to 150

b. Voltage Measurements at Frequencies below 50 Cycles/Second - Voltage measurements at frequencies as low as 10 cycles per second may be made to the unit's basic accuracy by removing the plastic nose on the a-c probe and using in its place a blocking capacitor of 0.25 microfarad in series with the exposed contact of the probe.

CAUTION: The gray insulating material of the probe of the 410B is polystyrene, a low melting-point material. It is not possible to solder to the contact which is exposed when the probe nose is removed without destroying the polystyrene.

c. Voltage Measurements at High Frequencies

At frequencies above 100 megacycles the distance between the point of voltage measurement and the anode contact of the a-c probe must be made as short as possible. If feasible, substitute a small button-type capacitor of approximately 50 micromicrofarads for the removable tip on the a-c probe. Solder one terminal of the button capacitor to the measurement point in the circuit and not to the probe contact. The probe contact (with tip removed) can then contact the other terminal of the capacitor for the measurement.

At frequencies above 100 megacycles considerable voltage may be built up across ground leads and along various parts of a grounding plane. Consequently, to avoid erroneous readings when measure-

ing medium and high frequency circuits, use the ground clip lead on the shell of the probe. In some cases at the higher frequencies it may be necessary to shorten still further the grounding lead on the shell of the probe.

For all measurements at the higher frequencies hold the molded nose of the probe as far from the external ground plane or from objects at ground potential as can conveniently be done. Under typical conditions, this practice will keep the input capacitance several tenths of a micromicrofarad lower than will be obtained otherwise.

For a-c measurements above approximately 250 megacycles it is nearly mandatory that measurements be made on voltages which are confined to coaxial transmission line circuits. For applications of this type, the $\text{\textcircled{P}}$ Model 410B is particularly suitable because the physical configuration of the diode and probe is that of a concentric line, and with a few precautions it can be connected to typical coaxial transmission line circuits with little difficulty.

To connect the $\text{\textcircled{P}}$ Model 410B into an existing coaxial transmission line, cut the line away so the center conductor of the line is exposed through a hole large enough to clear the body of the voltmeter a-c probe. The nose of the probe should be removed for this type of measurement. Connect one terminal of a button-type capacitor of approximately 50 micromicrofarads to the center conductor of the coaxial line so that the other terminal of the capacitor will contact the anode connection of the probe. A close-fitting metal shield or bushing should be arranged to ground the outer cylinder of the probe to the outer conductor of the transmission line. This type of connection is likely to cause some increase in the standing wave ratio of the line at higher frequencies. The $\text{\textcircled{P}}$ Model 11042A Coaxial "T" Connector is designed to do this job with a vswr of less than 1.1 at 500 mc. See paragraph 1-4.

d. Effect of Parasitics on Voltage Readings -

At frequencies above 500 megacycles, leads or portions of circuits often resonate at frequencies two, three or four times the fundamental of the voltage being measured. These harmonics may cause serious errors in the meter reading. Owing to the resonant rise in the probe circuit at frequencies above 1000 megacycles, the meter may be more sensitive to the harmonics than to the fundamental. To make dependable measurements at these frequencies, the circuits being measured must be free of all parasitics.

e. Effect of DC Present With AC Signal -

When measuring small ac voltages, which are present at a point along with high dc potential, you may obtain a voltage reading which is in error. This is caused by a very small leakage current through the blocking capacitor in the tip of the ac probe, and

might occur when you attempt to measure a 1 volt ac signal at the plate of a vacuum tube.

If this leakage is a problem you should add an external blocking capacitor ahead of the probe tip. A Mylar or polystyrene dielectric capacitor of 0.005 μ f or larger is recommended. The usual paper or ceramic capacitor will not have sufficiently high leakage resistance to eliminate the problem.

Factory specifications require that the probe tip blocking capacitor have not less than 100,000 megohms resistance, which is the highest value obtainable in a part that meets other requirements. This is very high, but still makes a 1000:1 voltage divider with the 122 megohms input resistance of the meter circuits when on the 1 volt ac range. A 100 volt dc potential will be divided down and will present (approximately) a 0.1 volt signal to the meter circuit. On higher ac ranges, the effect is reduced proportionately.

2-9 PULSE MEASUREMENTS

The 410B is a peak-responding rms calibrated type voltmeter and is designed to measure the positive peak value of the applied voltage. This property allows the $\text{\textcircled{p}}$ Model 410B to be used to measure the positive voltage amplitude of a pulse, provided the reading obtained is multiplied by the following factor:

$$1.4 \left(1 + \frac{t_1}{t_2} + \frac{K}{PRF} \right)$$

- where: t_1 is the duration of the positive portion of the voltage in microseconds,
- t_2 is the duration of the negative portion of the voltage,
- K is a factor which is a function of the source impedance of the pulse generator and of t_1 , and is found in the graph of Figure 2-5.
- PRF is the pulse repetition frequency in pulses per second.

In general this equation is applicable where the pulse repetition frequency is greater than 500 pulses per second and the positive pulse duration is at least 10 microseconds. For most cases when using high pulse repetition rates, the above factor will reduce to

$$1.4 \left(1 + \frac{t_1}{t_2} \right)$$

K can be found by use of the curve in Figure 2-5 when the impedance of the pulse generator R_0 in kilohms and the duration of the positive portion of the pulse t_1 in microseconds are known.

As an example, suppose:

- $t_1 = 10$ microseconds,
- $R_0 = 2$ kilohms and the pulse repetition frequency is 1000 pulses per second,

then $R_0/t_1 = 0.2$, $K = 0.55$, and the multiplying factor would then be

$$1.4 \left(1 + \frac{10}{990} + \frac{0.55}{1000} \right).$$

For the case of a 10 microsecond negative pulse and a pulse repetition frequency of 1000 pulses per second, t_1 would be 990 microseconds and t_2 would equal 10 microseconds. Thus, R_0/t_1 would be approximately 0, and therefore (from Figure 2-5) K would also be approximately 0. The multiplying factor would then be

$$1.4 \left(1 + 990/10 \right).$$

Hence, it may be seen that in the case of negative pulses of short duration much smaller readings will be obtained than for an equivalent positive pulse. As a result, large multiplying factors must be used and unless the pulse voltage is large, these measurements may be impractical.

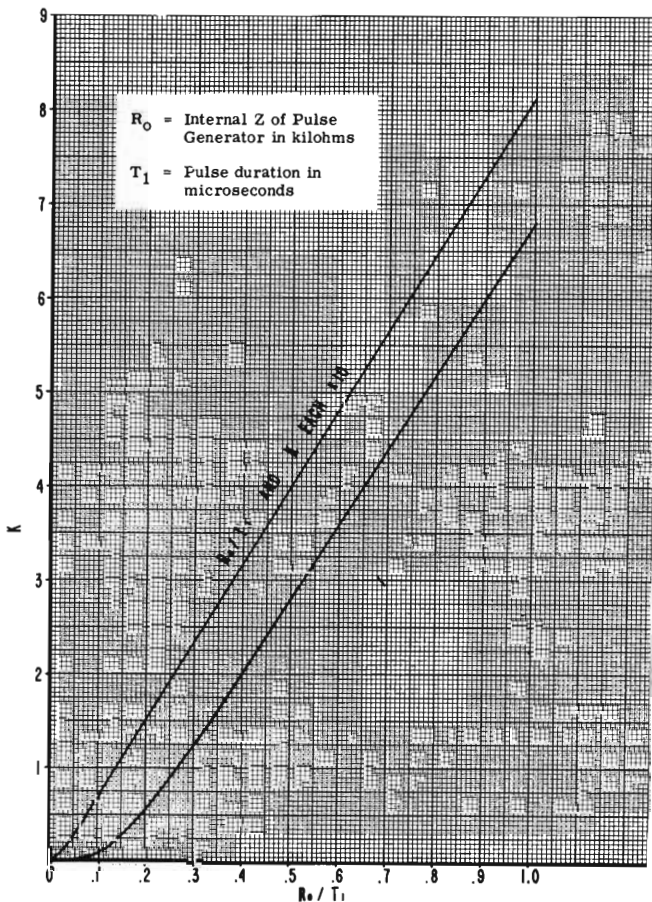


Figure 2-5. Graph used in Calculation of Pulse Voltages

2-10 RESISTANCE MEASUREMENT ABOVE 500 MEGOHMS

Because of its very high input resistance the Model 410B, supplemented by an external voltage, can be used to measure extremely high resistances. Any convenient d-c voltage up to 1000 volts may be used, the higher voltages permitting measurement of higher resistances. A 45-volt "B" battery extends the resistance measurement range to approximately 250,000 megohms. Resistances as high as several million megohms are easily and accurately made when the leakage between the test leads is held to a minimum by careful placement. The highest resistance that can be measured is limited by the total leakage between the DC test probe and the COMMON test probes on the voltmeter.

The measurement of extremely high resistance is accomplished by applying a known d-c voltage to the unknown resistance in series with the 410B as shown in Figure 2-6. The external voltage is first measured with the 410B and recorded. The positive side of the external voltage source is then connected through unknown resistance to the d-c measurement probe, the negative side of the voltage is connected

to the COMMON lead from the 410B. The voltmeter range switch is then adjusted to obtain an upscale voltage reading. The meter indicates the voltage across the 122 megohm input resistance, which when multiplied by the ratio of the applied voltage to the measured voltage, minus one, gives the resistance of the unknown. The equation for determining an unknown resistance for any supply voltage and meter reading is given in the following equation. When the ratio of E applied to E measured is greater than 100:1, the minus one may be dropped with no practical loss in accuracy.

$$R_x = \left(\frac{E_{bb}}{E_m} - 1 \right) R_m$$

E_{bb} = Externally applied battery or power supply voltage

E_m = Voltage read on d-c volts scale of voltmeter

R_m = Input resistance of voltmeter

(410A = 100 megohms)

(410B = 122 megohms)

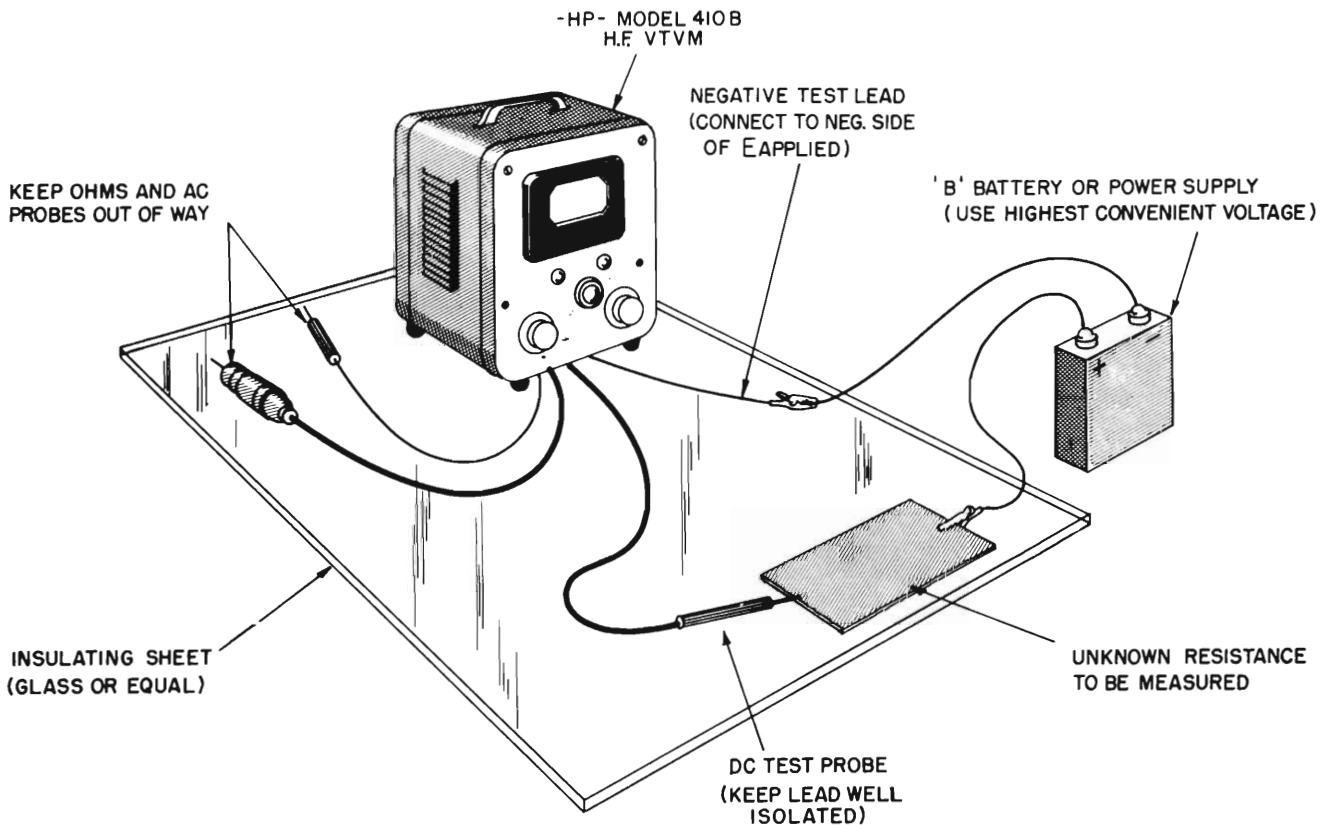


Figure 2-6. Setup for Measuring Extremely High Values of Resistance

SECTION III

THEORY OF OPERATION

3-1 GENERAL

The hp Model 410B is designed to measure the amplitude of a-c and d-c voltages and the values of resistances. To accomplish these measurements, the equipment's circuit is arranged as indicated by the block diagram of Figure 3-1. When measuring d-c voltages, the voltage to be measured is applied through a precision voltage divider to the input of a differential d-c amplifier. The output of the ampli-

fier feeds a balanced bridge which has an indicating meter connected between the mid-points. The magnitude of deflection of the meter is thus proportional to the amplitude of the d-c voltage applied to the input of the differential amplifier.

When measuring a-c voltages, the voltage to be measured is converted to a d-c voltage in a special wide-band rectifier circuit. The output of the rectifier is then applied to the d-c voltage-measuring

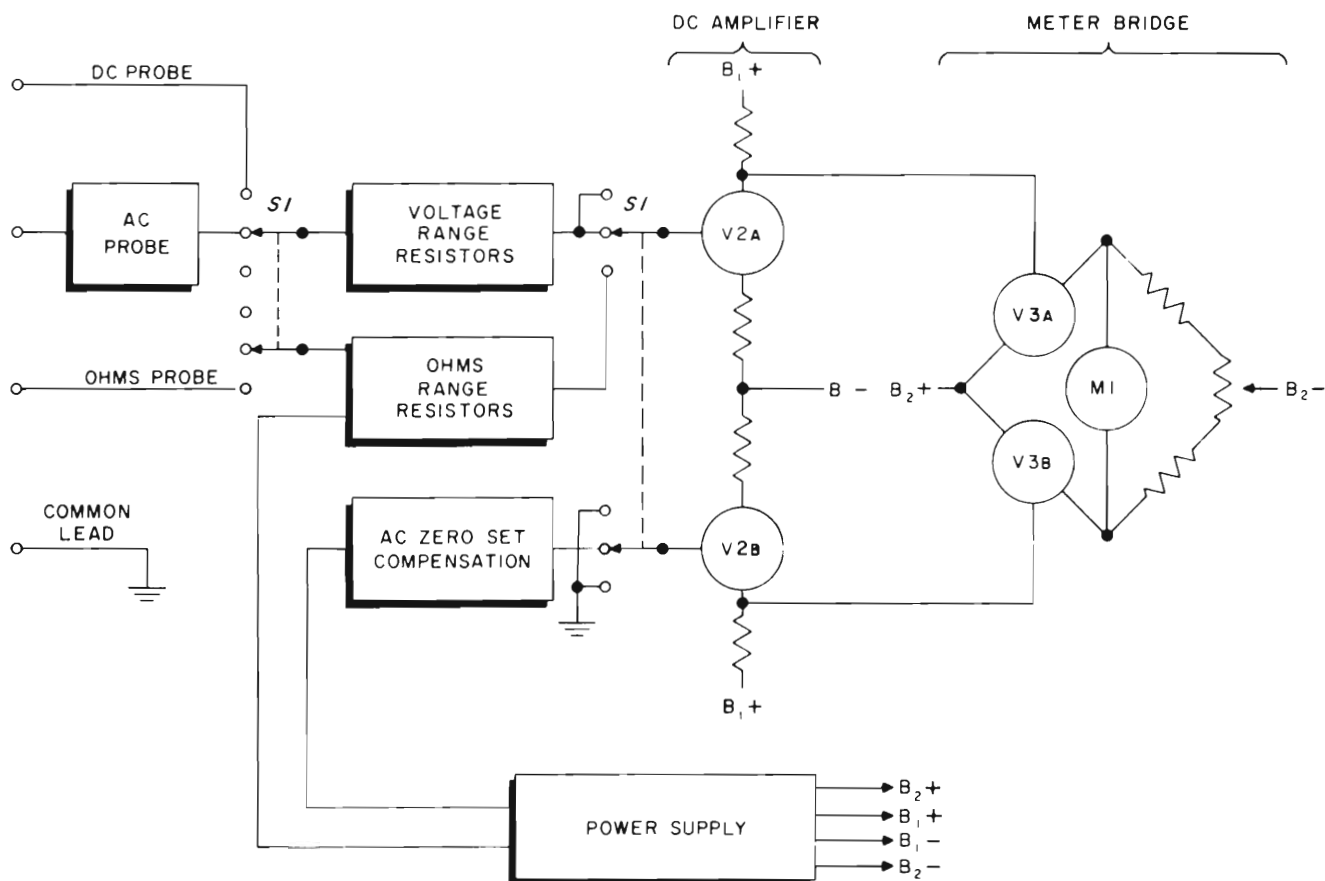


Figure 3-1. Block Diagram of hp Model 410B

circuit described above. A deflection of the indicating meter then occurs in proportion to the amplitude of the a-c voltage being measured.

For measuring resistance, a d-c voltage from the voltmeter power supply is applied through a large resistance to form a constant current source. This supplies a circuit consisting of the unknown resistance connected in parallel with a known resistance. The proportion of the internal voltage that appears across the unknown resistance is related to the ratio of the unknown to the known resistance. The voltage across the unknown resistance is then applied to the input of the differential amplifier as before, with the result that the magnitude of meter deflection is related to the value of the resistance being measured.

3-2 R-F RECTIFIER

The circuit used for rectifying a-c signal voltages is shown in Figure 3-2. The circuit is a half-wave shunt-detector type circuit which operates to charge the small input coupling capacitor C1 to the peak value of the positive half of the a-c voltage being measured. To smooth the rectified a-c voltage for application to the differential amplifier, a large resistor (22 megohms) and capacitors C2 and C3 are connected across the output of the rectifier. The voltage across the capacitors rises to the peak value of the rectified wave and is applied through the precision voltage divider to the d-c amplifier.

Since the voltmeter is designed to be capable of measuring high frequencies, the rectifier circuit is built in the form of a probe so that it can be physically placed close to the point of measurement. The probe connects to the voltmeter proper through a flexible cable.

This arrangement permits short lead lengths for the actual a-c portion of the measuring circuit so that residual inductances will be minimized.

A cutaway view of the a-c probe showing the input blocking capacitor, rectifier diode, and RC filter

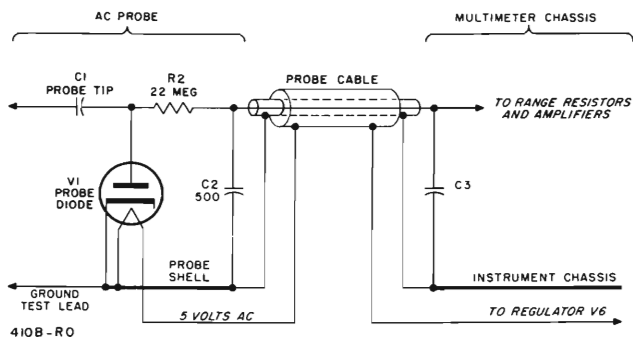


Figure 3-2. Schematic Diagram of AC Probe

is shown in Figure 3-3. The input capacitor is molded in a removable probe tip for applications where even the small lead length of the tip should be minimized. The diode is specially designed to have plane rather than circular geometry. This type of construction has been used in order to reduce the physical length of the diode and to achieve a diode having extremely low anode-cathode capacity. The construction is such that the probe has an input capacity of only about 1.5 mmf, about 1.3 of which is the anode-cathode capacity of the diode. To achieve short transit time for the diode, the anode-cathode spacing has been maintained at only .003 inch. Reliable r-f grounding of the diode cathode is obtained by use of a large area contact ring in the special socket for the diode. Figure 3-4 shows a line drawing of the probe diode.

The capacity in the RC filter is divided into two parts. A small 500 mmf capacitor, C2, is built into the probe near the base of the diode. At high frequencies this capacitor in combination with the 22-megohm filter resistor gives sufficient filtering so that the inductance of the flexible cable is of no consequence. For lower frequency filtering, Capacitor C3, is connected at the end of the cable inside the multimeter housing.

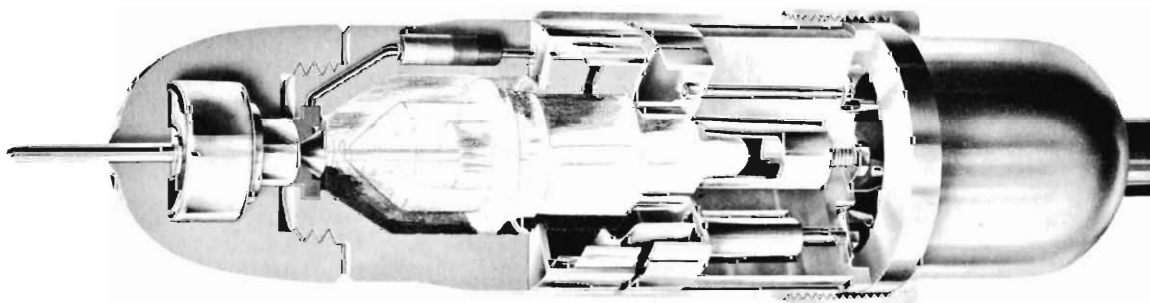


Figure 3-3. Cutaway View of High-Frequency Probe

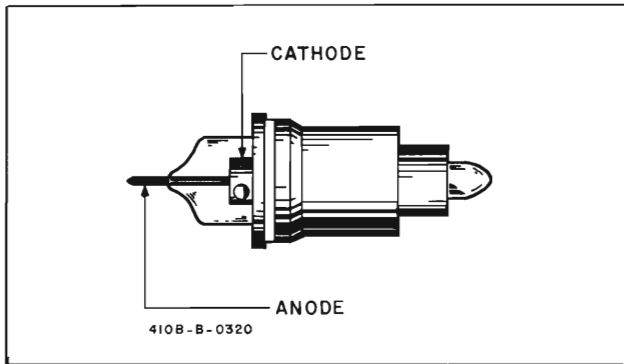


Figure 3-4. Actual Size Drawing of High-Frequency Diode

The probe is constructed from molded polystyrene to offer a low dielectric loss which, together with the low input capacity, makes the probe a high impedance device. The input impedance of the probe as a function of frequency is given in Figure 2-4.

The flexible cable connecting the probe to the voltmeter is a double-shielded single conductor cable. The outside shield carries a-c power for the diode heater; the inner lead carries the d-c voltage from the RC filter to the voltmeter. Ground return is made through the inner shield.

3-3 RANGE EXTENDING RESISTORS

To extend the voltage range over which both a-c and d-c measurements can be made, a precision voltage divider is connected to the input of the d-c amplifier. The taps on the divider are arranged so that the input to the amplifier does not exceed approximately .85 volt for a full-scale reading on d-c voltage measurements. On a-c measurements approximately 1.17 volts is applied to the amplifier for a full-scale reading. This increased voltage on a-c measurements is compensated by resistors in series with the indicating meter, as described later.

The precision voltage divider is made up of high-stability deposited carbon type resistors mounted on a seven-position rotary switch which serves as the range switch for the instrument.

3-4 DC AMPLIFIER

The taps on the precision voltage divider connect through the range switch to one input of the differential voltage amplifier. The amplifier consists of the two halves of a 12AU7 twin triode. The principle

purpose of this amplifier is to serve as an impedance transformer between the 100-megohm impedance level in the range switch and the meter circuits. To achieve a high input impedance for the amplifier, it is operated without a grid resistor other than the 100-megohm voltage divider and at a low plate current in the order of a couple of microamperes. Gas current effects in the high grid impedance are minimized by operating the amplifier tubes at a reduced heater voltage and a low plate voltage (approximately 20 volts). Very large cathode resistances are used to enhance the stability of the amplifier.

For a-c measurements the second or "balance" input to the differential amplifier is connected to a source of small d-c voltage in the power supply circuit. This arrangement is designed to compensate the voltmeter for "emission voltages" that occur in the probe diode. Because of the high thermal level of the probe diode cathode, electrons are emitted by the cathode even though no signal voltage is applied to the diode anode. Some of these electrons travel to the anode, giving it a net negative potential of approximately 1 volt, which will mask small signal voltages applied to the diode.

To compensate for this effect, the d-c voltage applied to the second input of the d-c amplifier is adjusted to be equal to the emission voltage of the diode. A voltage divider in the balance channel divides the compensating voltage in the same proportion as the input range switch divides the emission voltage so that the amplifier will always be compensated when the a-c probe is connected. The AC zero set control on the front panel adjusts the compensating voltage to exactly balance the voltage produced by the diode thereby bringing the meter to zero.

For d-c measurements the second input to the differential amplifier is grounded and serves only to supply a d-c level to balance the bridge.

3-5 METER CIRCUIT

The double-ended output of the differential amplifier is applied to a bridge circuit across which is connected the indicating meter, as illustrated by the diagram in Figure 3-5. Two arms of the bridge are triode tubes whose grids are connected to the two sides of the differential amplifier. With no voltage being measured, the two triodes have equal grid potentials and the bridge is in a balanced state. The front panel ZERO SET control R19a, a potentiometer located between the two legs of the bridge and the d-c supply voltage, establishes the exact electrical balance of the bridge for all types of operation. Potentiometer R32 is connected in series with the meter to adjust the sensitivity of the meter circuit to the precise required value.

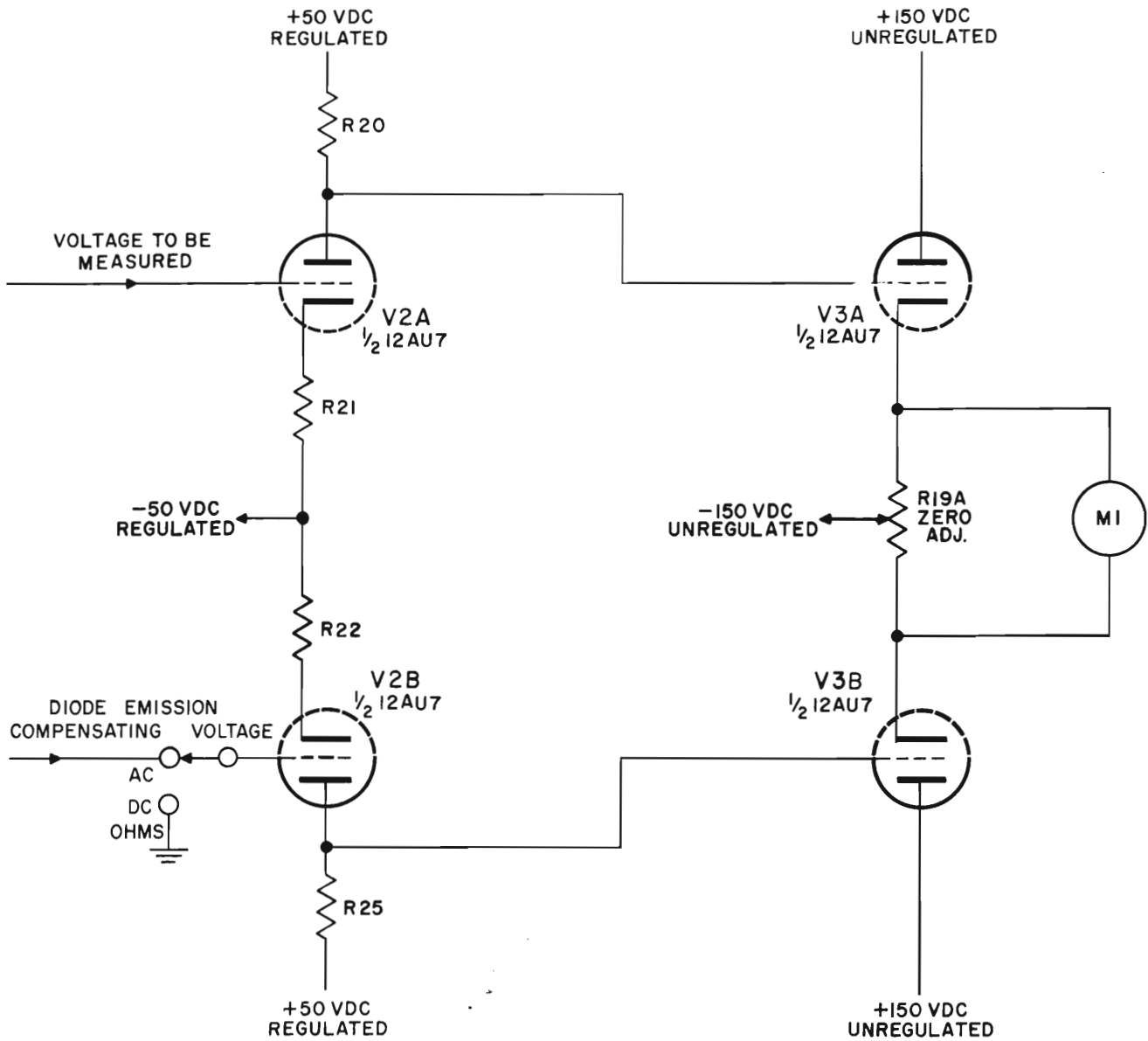


Figure 3-5. Basic DC Amplifier Circuit

To permit measurement of either positive or negative d-c voltages without reversal of the test leads the SELECTOR switch reverses the meter within the bridge so that an up-scale reading is obtained with either polarity.

For a-c measurements the range switch of the voltmeter connects in series with the meter additional current-reducing resistors (R35 through R40) to reduce the meter current by approximately 30% so that the same meter scale can be used for the a-c

and d-c ranges. For the one and three volt a-c ranges, however, it is necessary to use special meter scales because the probe diode operation at low voltages is non-linear.

For resistance measurements the SELECTOR switch connects the meter in series with the front panel OHMS ADJ. ∞ control which adjusts the sensitivity of the meter to obtain a precise full-scale indication before making a measurement.

3-6 RESISTANCE MEASUREMENT

When the multimeter is to be used to measure resistance, the range switch connects an additional set of precision resistors to the input of the d-c amplifier as shown in the block diagram in Figure 3-1. A small, stable voltage of about 1.2 volts is taken from the regulated power supply and applied through a precision resistance to the input of the d-c amplifier thereby causing full-scale deflection of the meter. The resistance to be measured is then connected between the input of the d-c amplifier and ground. This resistance thus completes a voltage divider and reduces the voltage applied to the amplifier, bringing the meter reading down-scale. The range switch of the multimeter connects appropriate values of precision resistors into the ohmmeter circuit to extend the resistance-measuring range. (On the RX1 range the necessary voltage comes from a small selenium rectifier which is not regulated.)

3-7 POWER SUPPLY

The power supply circuit includes a full-wave rectifier with an RC filter at the output of the rectifier. An OB2 105-volt regulator tube provides regulated d-c

voltage for operation of the differential d-c amplifier, ohmmeter circuits, and diode compensating circuits. D-c power for operating the bridge is obtained directly from the rectified output of the power supply. A regulated heater voltage of 5 volts a-c is also provided for the probe diode, regulation being obtained through the use of the constant current ballast tube V6. Potentiometer R50 shunting the diode heater is used to adjust the voltage across the heater to 5 volts. A small resistor is connected in series with the heater of V2 to operate this heater on approximately 4-1/2 volts. The heater winding also supplies a voltage which is rectified by a metallic rectifier for the RX1 resistance OHMS range only. This voltage is adjusted to approximately 1.2 volt by R49 to obtain full-scale deflection on the RX1 range consistent with that on the RX10 range, when the line voltage is at 115 volts.

The power transformer for the multimeter is equipped with two primary windings so that the instrument may be connected for operation on either 115 or 230 volt power. The windings are connected in parallel for use with 115 volts, and in series for 230 volts. For proper phasing of the windings the terminals on the transformer are numbered and wired as shown on the schematic diagram for the multimeter.

SECTION IV MAINTENANCE

4-1 INTRODUCTORY

No routine maintenance procedures are required for the Φ Model 410B. When replacing any of the tubes in the equipment, however, it is desirable to check the accuracy of the multimeter. To do this it is necessary to have a precision d-c voltmeter and a precision a-c voltmeter, preferably of the dynamometer type. The accuracy of these instruments should be within 1-2%, because the basic accuracy of the 410B is within 3%. The procedure to follow in checking and adjusting the calibration of the instrument are described in paragraphs 4-4 and 4-5.

If a tube failure occurs after an extended period of use such as 1000 hours of operating time, it is desirable to replace all tubes at that time, to avoid need for more frequent recalibration than necessary.

A trouble-shooting chart listing possible operating troubles is included at the end of this section (paragraph 4-7).

4-2 TUBE REPLACEMENT

REPLACING V1 -

When replacing probe diode V1, some change in a-c voltage-measuring accuracy may occur on the lower three a-c measuring ranges of the instrument. In a typical case these changes will be less than 2%. With some diodes the changes can be greater than this, however, so it is desirable to recheck calibration accuracy.

The quality of the individual replacement diode will also effect the high frequency accuracy of the instrument. However, specialized equipment is necessary for checking the high frequency accuracy. If high frequency errors are suspected with a new diode installed, it is recommended that another replacement diode be tried.

The heater voltage should be checked when probe diode V1 is replaced. Accurate setting of this voltage is necessary to insure proper operation and max-

imum life of the probe diode. To check the heater voltage of probe diode V1:

- 1) Remove back cover from the instrument by pushing down the button at the top rear of cabinet and slide the back cover off.
- 2) Remove two retaining screws from instrument rear and slide instrument chassis forward out of cabinet.
- 3) Connect 410B to variable power transformer, set line voltage to 115 volts (or 230 volts) and turn 410B on.
- 4) Connect an ac voltmeter such as Φ Model 400D/H/L or Model 403A, between pin 7 or V6 (ballast tube and chassis ground. Adjust R50 to obtain 5.0 volts rms if the 201C diode is used and 6.3 volts rms if the EA53 diode is used.

REPLACEMENT OF V2 AND V3 -

When V2 or V3 are replaced, five checks should be made:

1. Amplifier balance with line voltage at 115 volts.
2. Microphonics: stability of the zero adjustment when the tubes are jarred.
3. Amplifier balance with line voltage change from 103 to 127 volts.
4. Gas in V2.
5. Voltage calibration.

NOTE

The following instructions describe a procedure which will provide optimum instrument performance over a wide range of line voltages. It is based on the procedure used at the factory. If such performance is not needed, the care in selection of tubes can be reduced considerably.

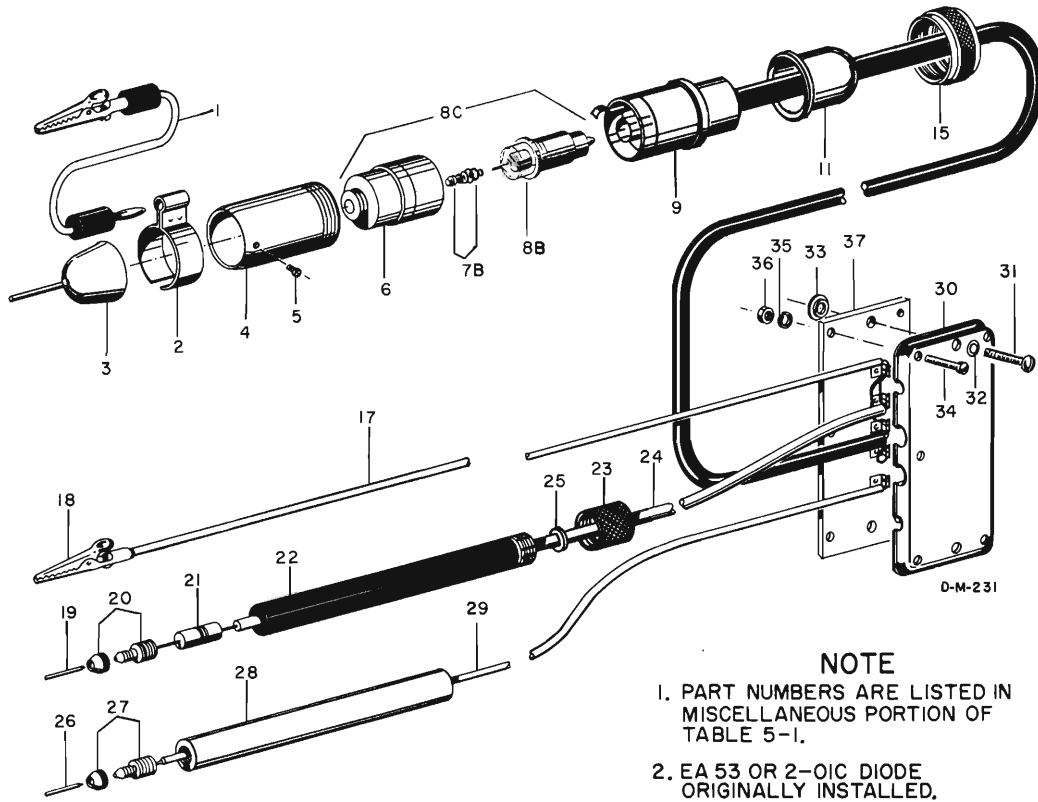


Figure 4-1. Test Probe Assembly, Including Exploded View of AC Probe

The following steps should be performed in the order given. If a tube fails to pass any test, it must be replaced and all tests repeated again in the proper order.

To obtain maximum range of adjustment of the ZERO SET control it is necessary that the four triode sections of the two 12AU7 tubes be similar in plate current characteristics. It is possible to have a combination of tubes which will have very little zero adjustment range on, say, (+) DC VOLTS and an excessive amount on (-) DC VOLTS. This is caused by non-uniformity between tubes. These characteristics also change considerably in the first 50 hours of tube operation.

A suggested method for determining if individual tubes are reasonably balanced is to first remove

V2. With V3 only in its socket, check the ZERO ADJUST range on both (+) DC and (-) DC. Ideally, it should be the same in both positions of the FUNCTION switch. Select several tubes which are as nearly balanced as possible, by trying them in the V3 socket. Use the tube which has the best balance for V2 and the next best for V3. To insure the best margin of zero adjustment, the tubes should be selected to allow the ZERO ADJUST control to move the meter pointer at least 1/3 of the way up scale both with (+) and (-) DC VOLTS positions of the FUNCTION switch, when both tubes are in their sockets. Next, check for microphonics by first accurately setting the ZERO ADJUST to zero the meter and then tap V2 and V3. If the meter zero irrationally changes position, one or both of the tubes have loose elements, which allow the static plate current to change value when jarred. Generally,

V2 is the most sensitive and should be suspected first. If the elements in V3 are very loose, it will cause the same indication. The defective tube or tubes should be replaced with ones which are of more sound construction. The balance test must be again repeated as described above.

To insure that the cathode emission is ample, the line voltage should be set to 115 volts. Allow the instrument to heat run for at least 5 minutes. Zero set the meter. Reduce the line voltage to 103 volts for a period of at least 1 minute. If the tubes have good cathode emission characteristics, the meter zero will not drift more than approximately 5%. If the zero drifts down scale to the left, the amount of drift can be measured from changing the position of the FUNCTION switch to the opposite polarity: (+) to (-) or vice versa, depending on the original position, so an up scale reading is obtained.

If the drift is not excessive, return the line voltage to 115 volts and reset the meter zero. After the tubes have stabilized at 115 volts, raise the line voltage to 127 volts and repeat the drift check. Again the drift should be less than 5%. If not, try another tube or tubes. V2 should be replaced first and then V3. All previous steps should be repeated first.

To check for a gassy V2, first accurately zero set the meter. Check the accuracy of the setting by switching the FUNCTION switch from (+) to (-) and back. If the setting is perfect, the meter pointer will not move. Feed in a d-c voltage of exactly 1.0 volt. (To facilitate this test the voltage should be fed through a dpdt switch so that the polarity can be quickly switched. If this is not done, it is very difficult to determine by eye if the two readings are the same within 1%).

If V2 is gassy, a certain error exists on the 1 volt range due to the gas current flowing through the 100 megohm resistive divider. Since the basic amplifier gain is set with the FUNCTION switch set to (+), this error is compensated for when the gain is set. When the polarity is reversed, however, the grid is biased negatively by the measured voltage and the value of the gas current changes somewhat. This results in a different reading.

A second method of checking for gas current is, to first accurately set the meter zero as described above. The RANGE SWITCH should be on the 1 VOLT DC range. Rotate the RANGE SWITCH to 300 VOLTS. If the input tube V2 is gassy, the zero will shift when the RANGE SWITCH is rotated. The grid impedance to ground is 100 megohms on the 1 VOLT range and approximately 300,000 ohms, on the 300 volt range (neglecting a fixed 5.6 megohm resistor). The effects of the gas current are thus reduced as the RANGE SWITCH is advanced to a higher range, which in turn

causes the meter zero setting to change. **NOTE:** The effects of this test should not be confused with those of microphonic tubes. The Microphonic tube test must have been passed first.

Final voltage calibration should be made after tubes have been installed which pass all the above checks. Since the gain characteristics change somewhat during the first fifty hours of operation, it is desirable to heat run the instrument for at least this long before a final calibration is made. The calibration procedure to be followed after replacement of V2 or V3 is described in paragraph 4-4.

4-3 REPLACEMENT OF BALLAST TUBE V6

Failure of V6 is usually caused by overloading due to shorts. For this reason, before installing a new ballast tube, it is recommended that the resistance between pin 7 of V6 and ground be checked with V6 removed from socket. The resistance will initially read 2 to 3 ohms and slowly increase. If the reading does not increase to above 4 ohms, there may be a short. If the resistance increases to over 4 ohms, it is ordinarily safe to install the new ballast tube.

After installing the new ballast tube, measure the heater voltage of probe diode V1 (see para. 4-2).

4-4 BASIC VOLTAGE CALIBRATION

Before attempting to adjust either the a-c calibration accuracy or the ohmmeter calibration accuracy, it is necessary that the calibration of the d-c measuring circuits be accurate. Checking the d-c calibration accuracy is also recommended after replacing V2 or V3. The procedure is as follows:

- a. Connect multimeter to a 115-volt power source and allow to heat for at least 15 minutes. It is desirable that the line voltage be accurately adjusted to 115 volts or to the predominating line voltage value if that value is somewhat less or more than 115 volts. The power transformer in the equipment is also designed to accommodate 230 volt lines; if the equipment is operated from 230 volt lines, the above information should be modified accordingly.
- b. Remove the back cover from the instrument. To remove the cover push down the button at the top rear of the cabinet and slide back cover off.

- c. Zero set the instrument with the RANGE switch set to the 1 volt range and the SELECTOR switch set to the + and - positions as described in paragraph 2-5.
- d. Set SELECTOR switch to +. Range switch should remain at 1 volt.
- e. Apply exactly 1 volt d-c to the d-c test leads. This 1 volt value can be obtained using a battery and potentiometer arrangement. The voltage applied to the voltmeter should be monitored and adjusted using the precision d-c meter described earlier. With exactly 1 volt applied to the multimeter the meter pointer should indicate an exact full-scale reading on the uppermost scale. If necessary, adjust R32 through the back of the instrument to make the meter read exactly full-scale. R32 is identified in Figure 4-2 and by appropriate markings on the back of the instrument.
- f. The calibration of the remaining d-c ranges should now be checked insofar as the external precision meter and d-c source will permit. No adjustment circuits are provided, however, for the remaining d-c ranges. The accuracy of these ranges is determined by the values of the precision range switch resistors R3 through R9. A gross inaccuracy in any of the remaining d-c ranges indicates an incorrect range resistor or resistors.
- g. Check a-c calibration accuracy as described below.

4-5 AC VOLTAGE CALIBRATION

The accuracy of the a-c voltage ranges of the multimeter should be checked after the probe diode V1 has been replaced. Before checking the a-c ranges, it is desirable to adjust the basic d-c voltage calibration as described above in paragraph 4-4. The procedure for checking and adjusting the a-c calibration is as follows:

- a. Adjust line voltage as described in step a. of paragraph 4-4 above; remove back cover as described in step b. of the same paragraph.
- b. Set SELECTOR switch to a-c and RANGE switch to 1 volt position. Allow equipment to heat for at least 15 minutes with these switch settings.
- c. Set the FUNCTION switch to (+) DC and set the meter zero. Check by switching from (+) to (-) and back. There should be no shift. Set the FUNCTION switch to AC. Zero set a-c circuit with the AC ZERO control. (The RANGE switch still at the 1 volt position.)

- d. Apply to the a-c probe a voltage of exactly 1 volt rms. This voltage should have an accurate, undistorted sine waveform. The frequency of this voltage should preferably be 100 cps or higher if permitted by the frequency characteristic of the dynamometer voltmeter. A good voltage source for this purpose is an accurate audio oscillator such as the ^{hp} Model 200AB, 205AG, etc. To determine that the voltage applied to the probe is accurate, it should be monitored by the precision dynamometer type voltmeter.
- e. With exactly 1 volt rms applied to the probe, the voltmeter should indicate exactly full-scale on the 1 volt a-c (red) meter scale. If not, adjust R35 (available through back of instrument).
- f. Set the RANGE selector to the 3-volt range. Increase voltage applied to probe to exactly 3 volts rms. Adjust potentiometer R39 to obtain accurate full-scale reading on the 3 volt a-c (red) meter scale.
- g. Calibrate the remaining a-c ranges, reading the 1 and 3 volt d-c (black) scales of the meter. The following chart shows the adjusting potentiometers for each of the a-c ranges.

RANGE Switch Setting	Calibrating Voltage	Adjustment Resistor
1V	1V RMS	R35
3V	3V RMS	R39
10V	10V RMS	R40
30V	30V RMS	R36
100V	100V RMS	R37
300V	300V RMS	R38

4-6 OHMMETER ADJUSTMENTS

No internal adjustments are provided for the ohmmeter circuits other than for the full-scale setting of the RX1 range. The full-scale setting of the RX1 range may begin to differ from that of the other ranges as selenium rectifier CR1 ages. (Assuming the line voltage is the same value as when R49 was originally set.) To adjust the full-scale setting of the RX1 range to be equal to the full-scale setting of the other ranges, proceed as follows:

- a. Connect multimeter to power line and allow to warm up. Normally the multimeter should be operated from 115 volts; however, if it is to be operated at line voltages substantially higher or lower than 115 volts the adjustment may be made at the expected line voltage.

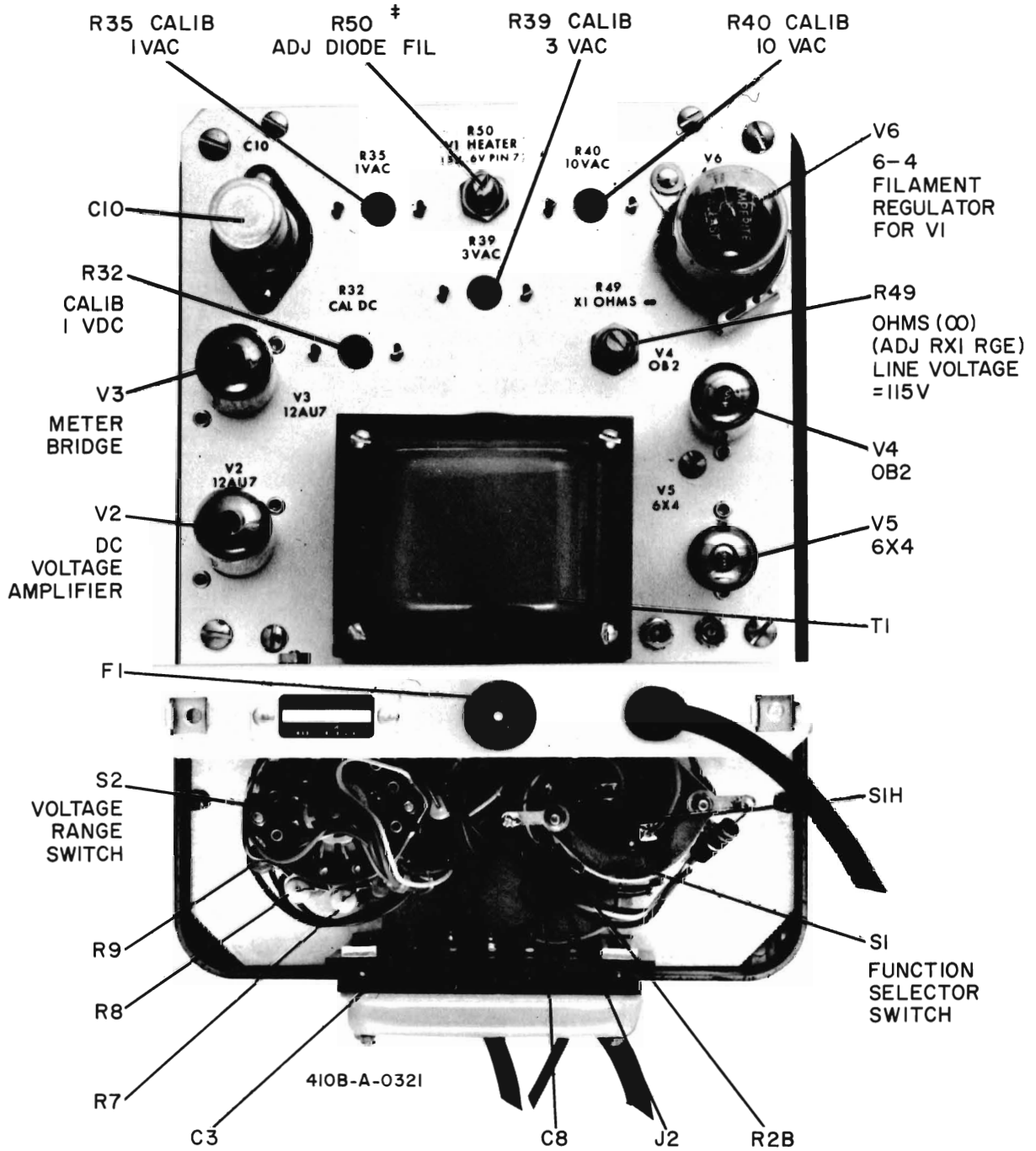
- b. Zero set the instrument as described in paragraph 2-3.
- c. Set RANGE switch to RX10 range and adjust OHM ADJ. ∞ for exact full-scale meter reading.
- d. Set RANGE switch to RX1 range.
- e. If meter pointer does not read exactly full-scale (∞), remove back panel from multimeter case and adjust R49 as necessary.

The accuracy of the RX1 range is not affected if the full-scale (∞) is not the same for RX1 and RX10 and above, since the OHMS ADJ. ∞ control should be adjusted to bring the pointer to (∞) before measurements are made.

4-7 TROUBLE SHOOTING CHART

Table 4-1. Trouble Shooting Chart

SYMPTOM	CAUSE OF TROUBLE	REMEDY AND CHECKS
AC power cord plugged in, instrument turned on, pilot light does not light and no readings obtained.	Defective power cord, plug, or receptacle. Fuse (F1) blown. Defective a-c Switch.	Check power source and connections. Check fuse (F1) and rectifier tube V5. Check power switch continuity.
No readings obtainable, no zero adjustment, pilot lamp lights.	Defective tubes V2, V3 or V5.	Check V2, V3, and V5, if necessary, replace and recalibrate, see paragraph 4-2.
Zero set drift or zero set not possible.	Defective tubes V2 and V3.	Check tubes V2 and V3, replace and recalibrate, see paragraph 4-2.
No a-c readings, d-c readings normal.	Probe cap loose, defective V1 or V6.	Tighten probe cap. Check V1 for operation.
A-c zero set drifts or inaccurate a-c readings only on all ranges.	Defective V1.	Replace V1 and recalibrate as instructed in paragraph 4-3.
A-c zero set not possible.	Outside shield of a-c probe cable shorted to ground.	Check cable and repair short.
Inaccurate d-c and a-c readings.	Defective V2 or V3, defective range resistor (R3 through R9), misadjustment of R32.	Check V2 and V3 or R3 through R9, readjust R32 as instructed in paragraph 4-4.
Erroneous resistance readings following use of OHMS probe on high d-c voltage.	Burned resistors R10 through R13.	Check resistors R10 through R13 and if necessary, replace burned resistor.



‡ SET TO 5VAC RMS FOR 1920-0008 PROBE DIODE
 6.3VAC RMS FOR 1920-0010 PROBE DIODE

Figure 4-2. Rear View of Model 410B Chassis Removed from Instrument Case

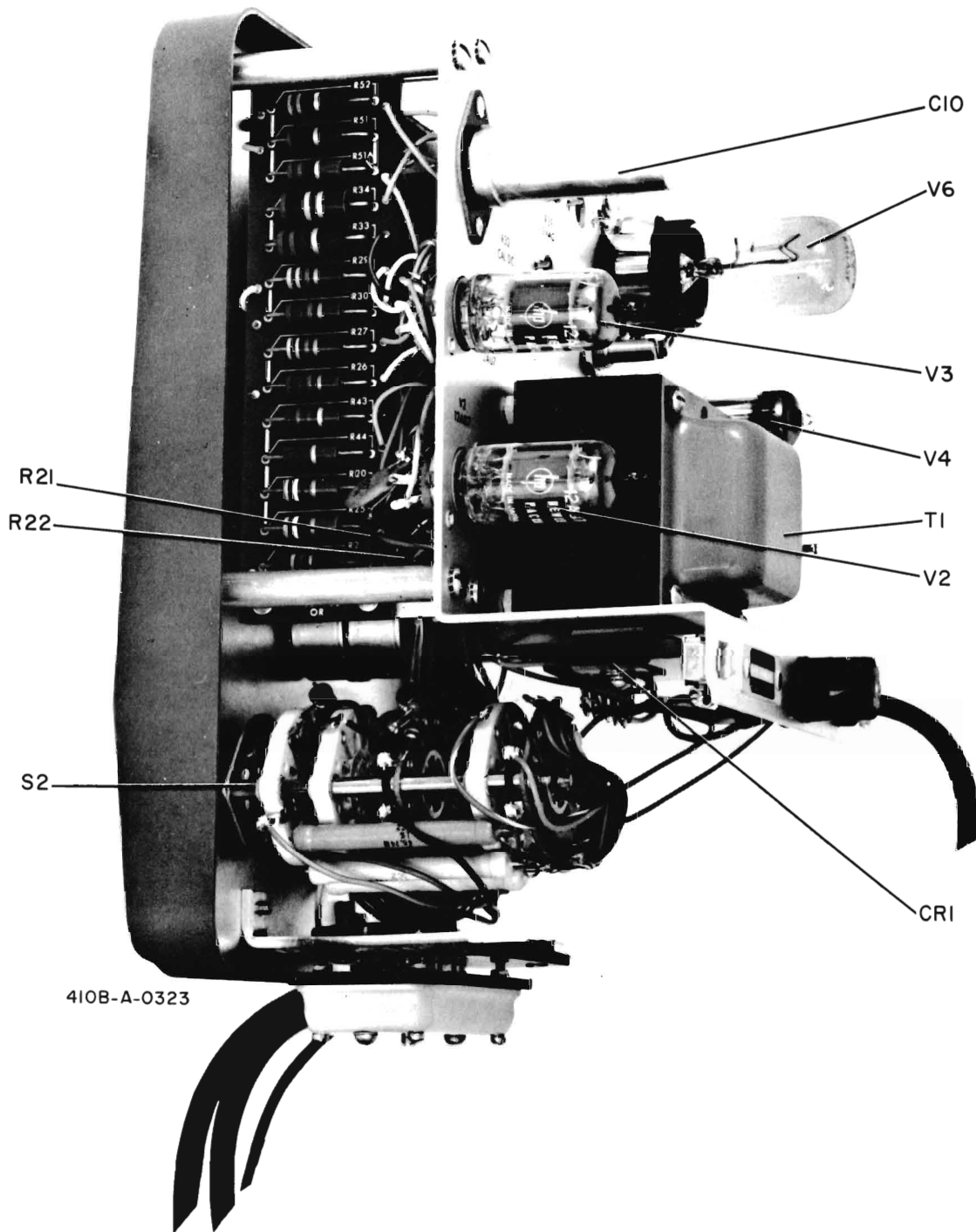


Figure 4-3. Right Side View of Model 410B

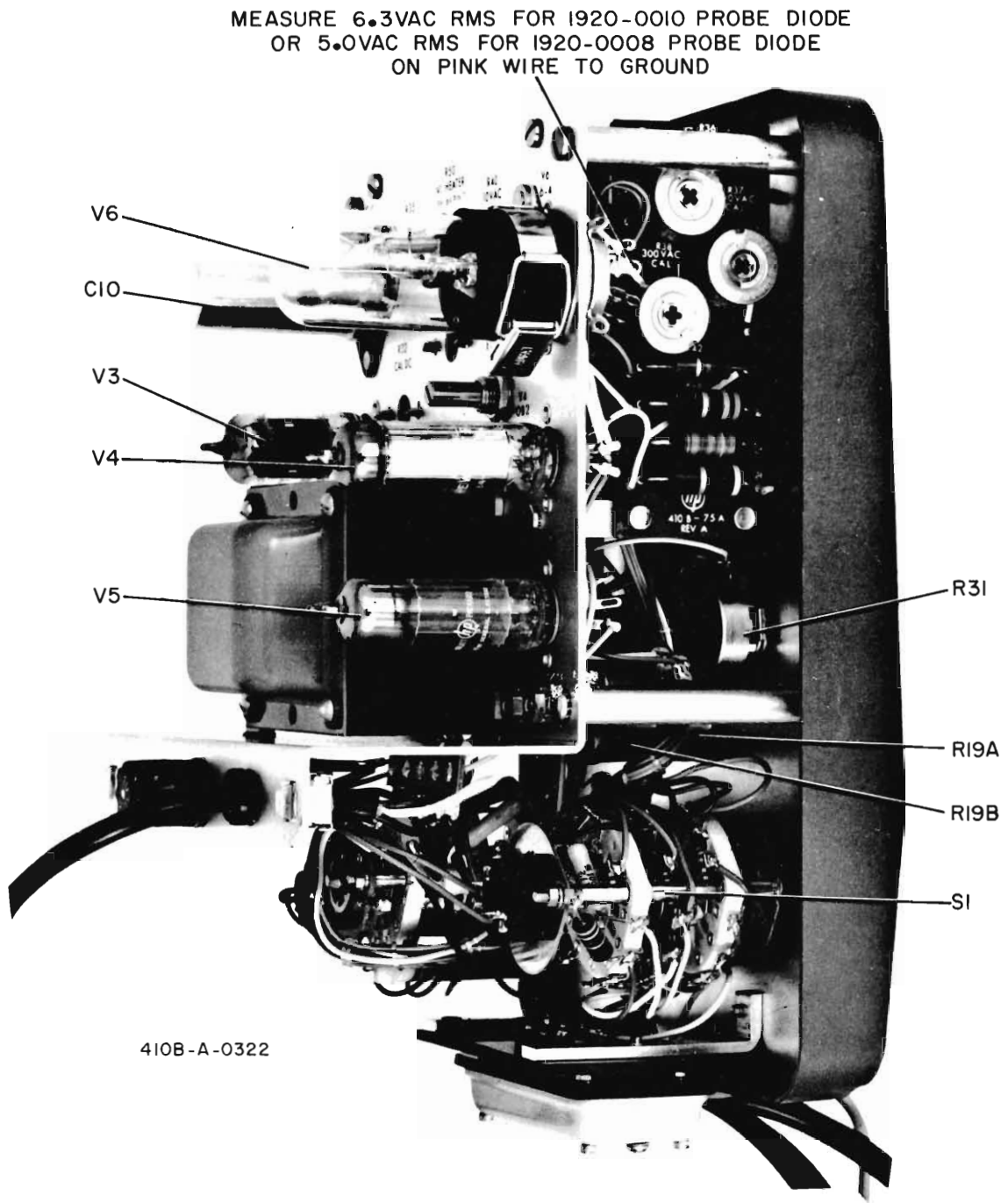
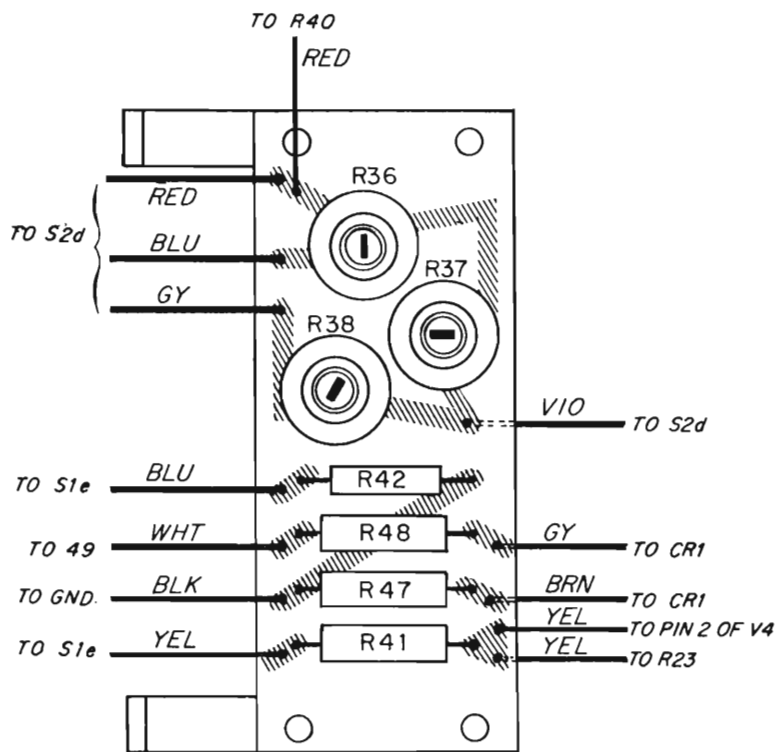


Figure 4-4. Left Side View of Model 410B



410B-RO

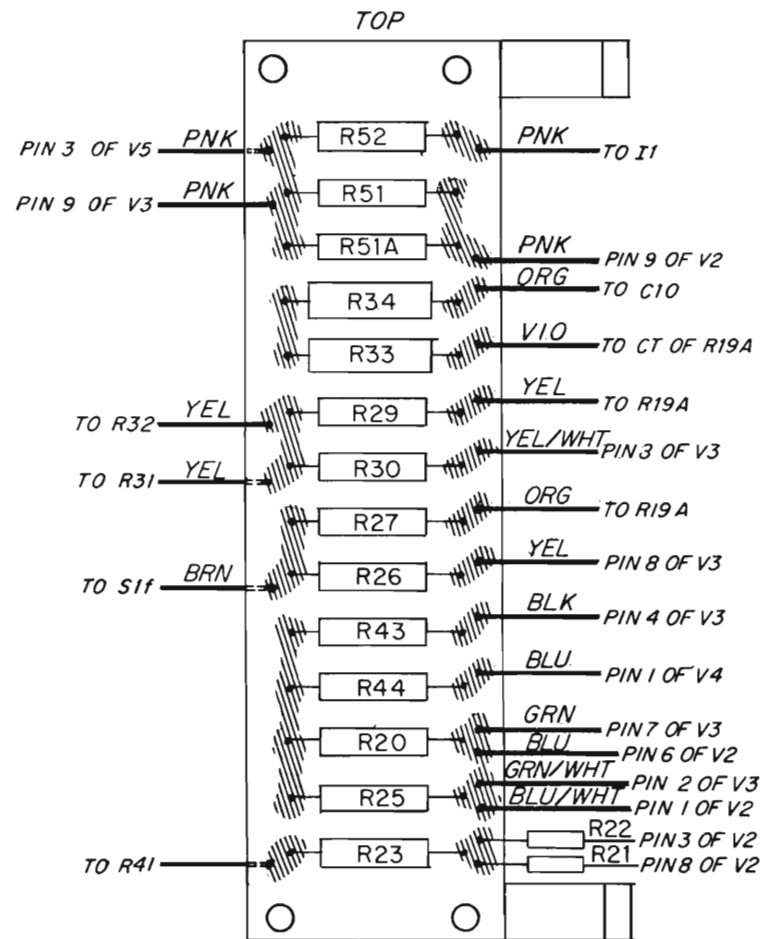


Figure 4-5. Resistor Board Details Model 410B

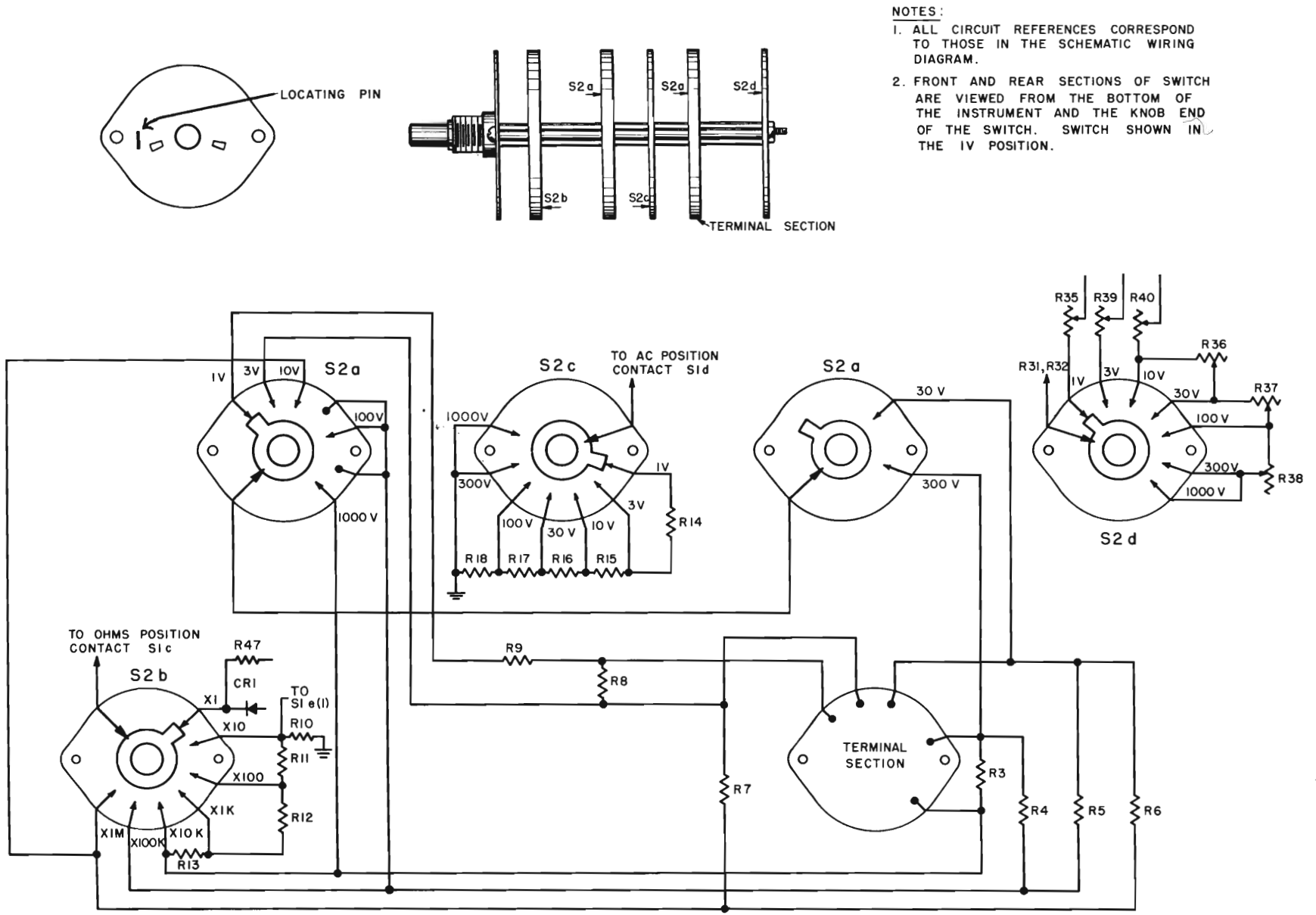
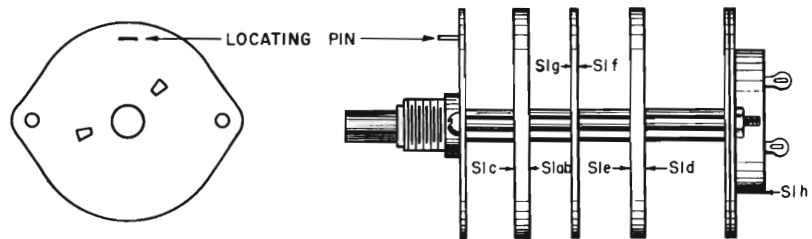
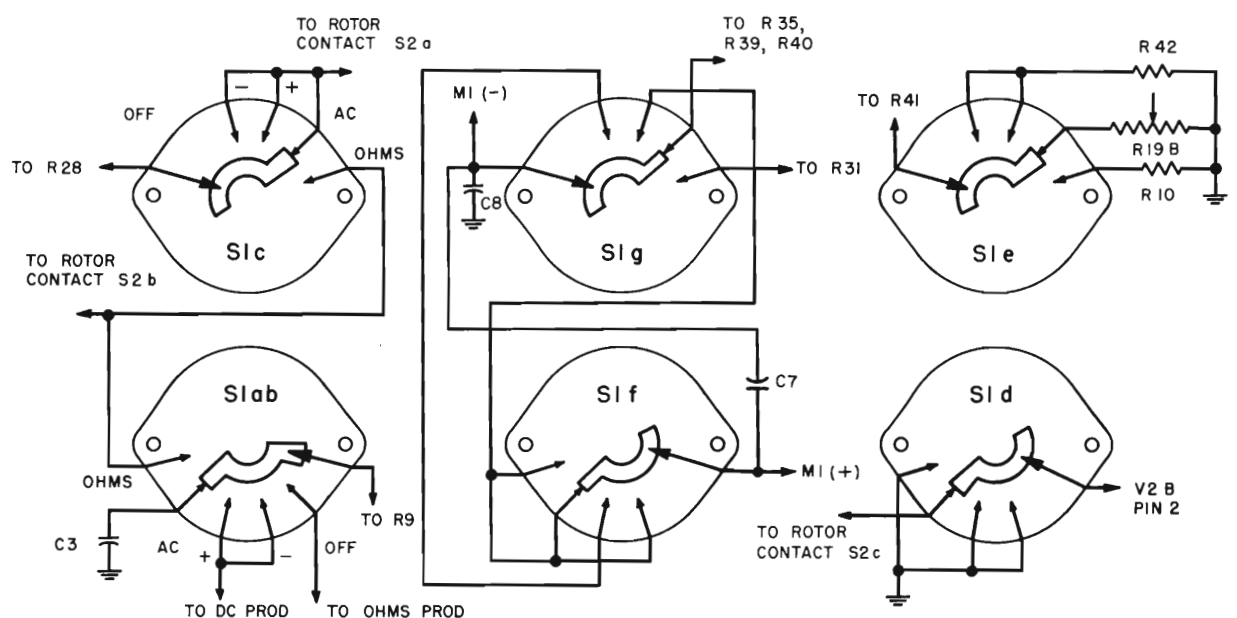


Figure 4-6. Range Switch Details Model 410B



NOTES:

1. ALL CIRCUIT REFERENCES CORRESPOND TO THOSE IN THE SCHEMATIC WIRING DIAGRAM.
2. FRONT AND REAR SECTIONS OF SWITCH ARE VIEWED FROM THE BOTTOM OF THE INSTRUMENT AND THE KNOB END OF THE SWITCH. SWITCH SHOWN IN THE AC POSITION.



MODEL 410 B
SELECTOR SWITCH DETAILS

Figure 4-7. Selector Switch Details Model 410B

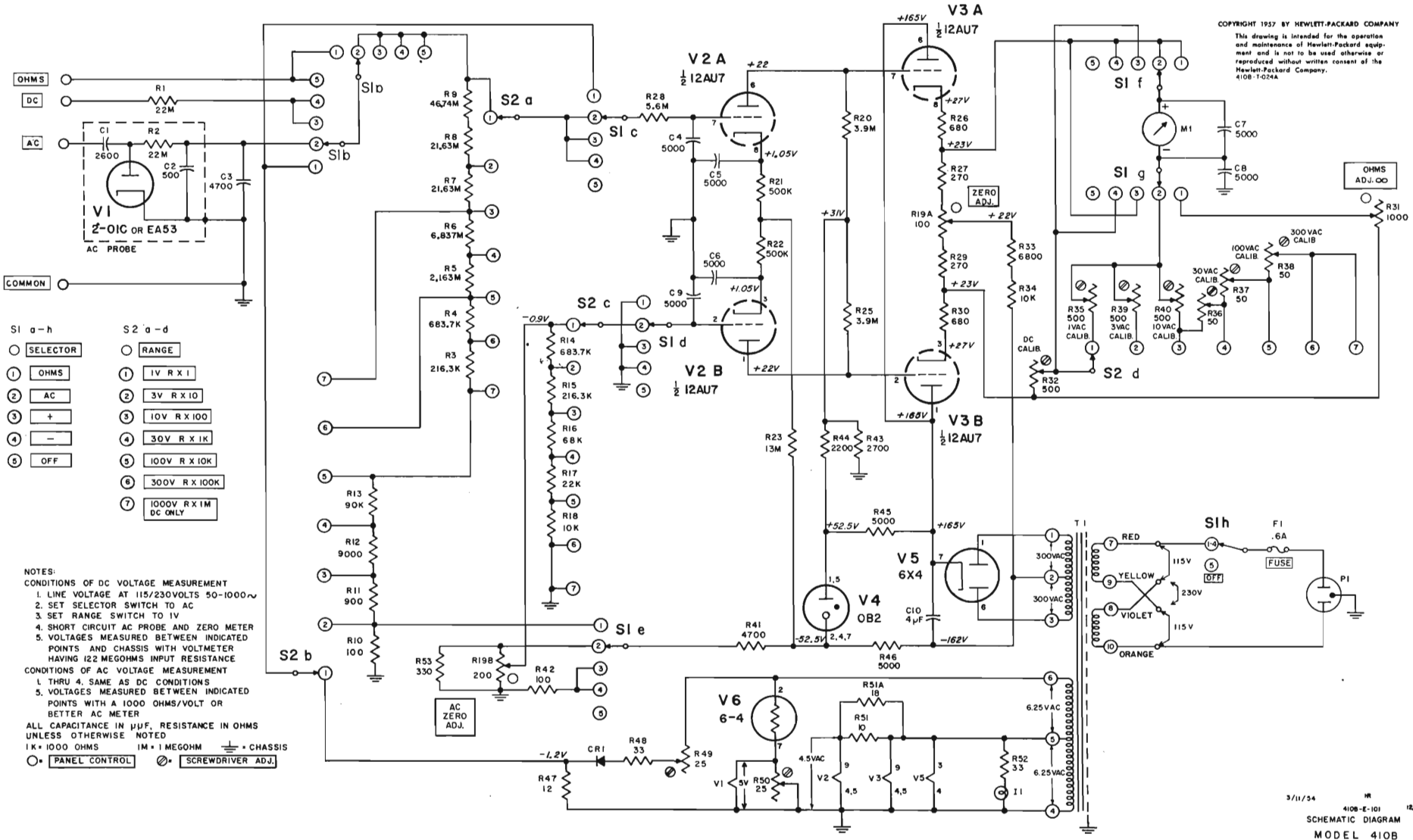


Figure 4-8 Schematic Diagram

3/11/54
 410B-E-101 12/1N/50
 SCHEMATIC DIAGRAM
 MODEL 410B

SECTION V

REPLACEABLE PARTS

5-1. INTRODUCTION.

5-2. This section contains information for ordering replacement parts. Table 5-1 lists parts in alpha-numerical order of their reference designators and indicates the description and ϕ stock number of each part, together with any applicable notes. Table 5-2 lists parts in alpha-numerical order of their ϕ stock number and provides the following information on each part:

- a. Description of the part (see list of abbreviations below).
- b. Typical manufacturer of the part in a five-digit code (see list of manufacturers in Appendix).
- c. Manufacturer's part number.
- d. Total quantity used in the instrument (TQ column).

5-3. Miscellaneous parts are listed at the end of Table 5-1.

5-4. ORDERING INFORMATION.

5-5. To obtain replacement parts, address order or inquiry to your local Hewlett-Packard Field Office (see lists at rear of this manual for addresses). Identify parts by their Hewlett-Packard stock numbers.

5-6. NON-LISTED PARTS.

5-7. To obtain a part that is not listed, include:

- a. Instrument model number.
- b. Instrument serial number.
- c. Description of the part.
- d. Function and location of the part.

REFERENCE DESIGNATORS

A = assembly	F = fuse	P = plug	V = vacuum tube, neon bulb, photocell, etc.
B = motor	FL = filter	Q = transistor	W = cable
C = capacitor	J = jack	R = resistor	X = socket
CR = diode	K = relay	RT = thermistor	XF = fuseholder
DL = delay line	L = inductor	S = switch	XDS = lampholder
DS = device signaling (lamp)	M = meter	T = transformer	Z = network
E = misc electronic part	MP = mechanical part		

ABBREVIATIONS

a = amperes	elect = electrolytic	mtg = mounting	rot = rotary
bp = bandpass	encap = encapsulated	my = mylar	rms = root-mean-square
bwo = backward wave oscillator	f = farads	NC = normally closed	rmo = rack mount only
c = carbon	fxd = fixed	Ne = neon	s-b = slow-blow
cer = ceramic	Ge = germanium	NO = normally open	Se = selenium
cmo = cabinet mount only	grd = ground (ed)	NPO = negative positive zero (zero temperature coefficient)	sect = section(s)
coef = coefficient	h = henries	nsr = not separately replaceable	Si = silicon
com = common	Hg = mercury	obd = order by description	sil = silver
comp = composition	imp = impregnated	p = peak	sl = slide
conn = connection	incd = incandescent	pc = printed circuit board	td = time delay
crt = cathode-ray tube	ins = insulation (ed)	pf = picofarads = 10^{-12} farads	TiO ₂ = titanium dioxide
dep = deposited	K = kilo = 1000	pp = peak to peak	tog = toggle
EIA = Tubes or transistors meeting Electronic Industries' Association standards will normally result in instrument operating within specifications; tubes and transistors selected for best performance will be supplied if ordered by ϕ stock numbers.	lin = linear taper	piv = peak inverse voltage	tol = tolerance
	log = logarithmic taper	pos = position (s)	trim = trimmer
	m = milli = 10^{-3}	pot = potentiometer	twt = traveling wave tube
	M = megohms	rect = rectifier	var = variable
	ma = milliamperes		w/ = with
	μ = micro = 10^{-6}		W = watts
	minat = miniature		ww = wirewound
	mfgl = metal film on glass		w/o = without
	mfr = manufacturer		* = optimum value selected at factory, average value shown (part may be omitted)

Table 5-1. Reference Designation Index

REFERENCE DESIGNATION	Ⓢ STOCK NO.	DESCRIPTION	NOTE
C1 and C2		C: part of ac probe	
C3	0140-0017	C: fxd, mica, 4700 pf, ±10%	
C4 thru C9	0150-0014	C: fxd, cer, .005 μf, 500 vdcw	
C10	0180-0806	C: fxd, alum elect, 8 μf, 450 vdcw	
CR1	1880-0005	Rectifier: metallic	
F1	2110-0016	Fuse: cartridge: 0.6 amp, slow blow, for 115 v operation Fuse: cartridge: 1/4 amp, slow blow, for 230 v operation	
I1	2140-0009	Lamp: incandescent: 6-8 v, .15 amp, #47	
M1	1120-0009	Meter	
P1	8120-0050	Power Cord	
R1	0690-2261	R: fxd, comp, 22 meg, ±10%, 1 w Part of Cable Ass'y, DC Probe	
R2		R: 22 meg, Part of ac probe, not separately replaceable	
R3	0730-0079	R: fxd, deposited carbon, 216.3 K, ±1%, 1 w	
R4	0730-0096	R: fxd, deposited carbon, 683.7 K, ±1%, 1 w	
R5	0730-0113	R: fxd, deposited carbon, 2.163 meg, ±1%, 1 w	
R6	0730-0130	R: fxd, deposited carbon, 6.837 meg, ±1%, 1 w	
R7 and R8	0733-0005	R: fxd, deposited carbon, 21.63 meg, ±1%, 1 w	
R9	0733-0011	R: fxd, deposited carbon, 46.74 meg, ±1%, 2 w	
R10	0727-0043	R: fxd, C flm, 100 ohms, ±1%, 1/2 w	
R11	0727-0095	R: fxd, C flm, 900 ohms, ±1%, 1/2 w	
R12	0727-0152	R: fxd, C flm, 9000 ohms, ±1%, 1/2 w	
R13	0727-0204	R: fxd, C flm, 90 K ohms, ±1%, 1/2 w	
R14	0727-0251	R: fxd, deposited carbon, 683,700 ohms, ±1%, 1/2 w	
R15	0727-0223	R: fxd, deposited carbon, 216,300 ohms, ±1%, 1/2 w	
R16	0687-6831	R: fxd, comp, 68 K ohms, ±10%, 1/2 w	
R17	0687-2231	R: fxd, comp, 22 K ohms, ±10%, 1/2 w	
R18	0687-1031	R: fxd, comp, 10 K ohms, ±10%, 1/2 w	
R19 A, B	2100-0050	R: var, ww, 2 sections, front: 100 ohms, rear: 200 ohms, ±10%, lin tap, 2 w	
R20	0689-3955	R: fxd, comp, 3.9 meg, ±5%, 1 w	
R21 and R22	0727-0244	R: fxd, C flm, 500 K ohms, ±1%, 1/2 w	
R23	0689-1365	R: fxd, comp, 13 meg, ±5%, 1 w	
R24		Not Assigned	
R25	0689-3955	R: fxd, comp, 3.9 meg, ±5%, 1 w	
R26	0689-6215	R: fxd, comp, 620 ohms, ±5%, 1 w	
R27	0689-3315	R: fxd, comp, 330 ohms, ±5%, 1 w	
R28	0687-5651	R: fxd, comp, 5.6 meg, ±10%, 1/2 w	
R29	0689-3315	R: fxd, comp, 330 ohms, ±5%, 1 w	
R30	0689-6215	R: fxd, comp, 620 ohms, ±5%, 1 w	

See introduction to this section

Table 5-1. Reference Designation Index (Cont'd)

REFERENCE DESIGNATION	Ⓢ STOCK NO.	DESCRIPTION	NOTE
R31	2100-0036	R: var, comp, lin tap, 1 K ohms, ±20%, 1/2 w	
R32	2100-0185	R: var, comp, lin tap, 500 ohms, ±30%, 1/4 w	
R33	0693-6821	R: fxd, comp, 6800 ohms, ±10%, 2 w	
R34	0693-1031	R: fxd, comp, 10 K ohms, ±10%, 2 w	
R35	2100-0185	R: var, comp, lin tap, 500 ohms, ±30%, 1/4 w	
R36, R37 and R38	2100-0206	R: var, ww, 50 ohms, ±10%, 1 w	
R39 and R40	2100-0185	R: var, comp, lin tap, 500 ohms, ±30%, 1/4 w	
R41	0693-4721	R: fxd, comp, 4700 ohms, ±10%, 2 w	
R42	0690-1011	R: fxd, comp, 100 ohms, ±10%, 1 w	
R43	0690-2721	R: fxd, comp, 2700 ohms, ±10%, 1 w	
R44	0690-2221	R: fxd, comp, 2200 ohms, ±10%, 1 w	
R45 and 46	0816-0006	R: fxd, ww, 5 K ohms, ±5%, 10 w	
R47	410B-26	R: fxd, ww, 12 ohms	
R48	0693-3301	R: fxd, comp, 33 ohms, ±10%, 2 w	
R49 and R50	2100-0870	R: var, ww, 25 ohms, ±10%, lin tap, 5 w	
R51	0690-1001	R: fxd, comp, 10 ohms, ±10%, 1 w optimum value selected at factory, average value shown	
R51A	0690-1801	R: fxd, comp, 18 ohms, ±10%, 1 w	
R52	0690-3301	R: fxd, comp, 33 ohms, ±10%, 1 w	
R53	0690-3311	R: fxd, comp, 330 ohms, ±10%, 1 w	
S1A thru S1G S1H	410B-19A 3100-0065 3130-0030	Selector Switch Assembly Switch: rotary, less components Switch: power, rear section of selector switch	
S2	410B-19W	Range Switch Assembly	
T1	9100-0021	Transformer: power	
V1	1920-0008	Tube: electron, 2-01C includes spring tip or Tube: electron, EA53 includes spring tip	
V2 and V3	5080-0681	Tube: electron, 12AU7	
V4	1940-0007	Tube: electron, OB2, voltage regulator	
V5	1930-0016	Tube: electron, 6 x 4, rectifier	
V6	0852-0003	Tube: ballast, #6-4, 6 w	
		<u>MISCELLANEOUS</u>	
	0370-0025	Knob: OHMS ADJ.	
	0370-0031	Knob: ZERO ADJ. Round	
	0370-0035	Knob: SELECTOR, RANGE	
	0370-0048	Knob: engraved AC	
	410B-76M	Connector Board: male	
	1400-0084	Holder, fuse:	
	1450-0003	Pilot lamp jewel	
	401B-21-95A	Assembly, Test lead, includes AC probe (less diode) DC probe, Ohms probe, Common Lead, female connector board and shield	
	410B-21-95B	Assembly, AC probe (less diode) with cable	
	410B-21-95C	Assembly, DC probe with cable	
	410B-21-95D	Assembly, Ohms probe with cable	
	410B-21-95E	Assembly, Common Lead	

See introduction to this section

Table 5-1. Reference Designation Index (Cont'd)

REFERENCE DESIGNATION	Ⓢ STOCK NO.	DESCRIPTION	NOTE
(Figure 4-1)			
1	410B-21J	Jumper, ground, for AC probe	
2	410B-21H	Clip, ground, for AC probe	
3	410B-21D	Probe head	
4	410B-21E	Sleeve, for AC probe	
5	2220-0001	Screw, machine, Fillister Head, No. 4-40 x.3/16 in.	
6	410B-21C	Assembly, probe contact, for AC probe	
7A	410B-21N	Tip and contact spring (for 2-10C diode)	
7B	410B-21P	Tip and spring (for EA53 diode)	
8A,8B		Tube, electron (see VI)	
8C	00410-69501	Includes 6, 7B, 8B (Figure 4-1)	
9	410B-21B	Assembly, socket w/cable for probe diode	
11	410B-21B-5	Cap	
15	410B-21F	Ring, retaining (AC probe)	
17	8150-1038	Cable, blk, 42 in.	
18	1400-0046	Clip, alligator	
19	1490-0013	Needle, phono	
21		Resistor: fxd, comp (See R1)	
22	410B-21L	Body, DC probe	
23	410B-21K	Nut, DC probe	
24	8120-0004	Cable, coaxial, 41 in.	
25	0900-0013	"O" Ring	
26	1490-0013	Needle, phono	
27	1490-0010	Chuck with Nut and Needle	
26, 27, 28	410B-21-95G	Body, Ohms probe with Chuck/Nut and Needle	
29	8150-0139	Cable, red, 42 in.	
30	410B-55	Shield, test lead terminal board	
31	2360-0015	Screw, machine, round head, No. 6-32 x 1 - 1/8 in.	
32	3050-0016	Washer, flat, fiber No. 6	
33	3050-0005	Washer, fiber, extruder No. 6	
34	2220-0006	Screw, machine, Fillister head, No. 4-40 x 3/4 in.	
35	2190-0030	Washer, lock, No. 4, 1/16 in.	
36	2340-0001	Nut, No. 4 - 40 x 3/16 in.	
37	410B-76F	Connector, female board	

See introduction to this section

Table 5-2. Replaceable Parts

STOCK NO.	DESCRIPTION	MFR	MFR PART NO.	TQ
0140-0017	C: fxd, mica, 4700 pf, $\pm 10\%$	14655	RCM30E472K	1
0150-0014	C: fxd, cer, .005 μ f, 500 vdcw	96095	D1-4	6
0180-0055	C: fxd, alum elect, 4 μ f, 450 vdcw	56289	D32478	1
0370-0025	Knob: OHMS ADJ.	28480	5040-0058	1
0370-0031	Knob: ZERO ADJ., round	28480	0370-0031	1
0370-0035	Knob: SELECTOR, RANGE	28480	0370-0035	2
0370-0048	Knob: engraved AC, round	28480	0370-0048	1
410B-19A	Selector Switch Ass'y (interchangeable with 410B-19B)	28480	401B-19A	1
410B-19W	Range Switch Ass'y	28480	410B-19W	1
410B-21B	Ass'y, socket w/cable for probe diode	28480	410B-21B	1
410B-21C	Ass'y, probe contact for ac probe	28480	410B-21C	1
410B-21D	Probe head	28480	410B-21D	1
410B-21E	Sleeve for ac probe	28480	410B-21E	1
410B-21F	Ring, retaining (ac probe)	28480	410B-21F	1
410B-21H	Clip, ground, for ac probe	28480	410B-21H	1
410B-21J	Jumper, ground, for ac probe	28480	410B-21J	1
410B-21K	Nut, dc probe	28480	410B-21K	1
410B-21L	Body, dc probe	28480	410B-21L	1
410B-21N	Tip and contact spring (for 2-01C diode)	28480	410B-21N	1
410B-21P	Tip and contact spring (for EA53 diode)	28480	410B-21P	1
00410-69501	Diode Replacement Kit Contains 6, 7B and 8B	28480	00410-69501	1
410B-21-95A	Ass'y, test lead, includes ac probe (less diode) dc probe, ohms probe, common lead, female connector board and shield. (interchangeable w/ 410B-21-95B)	28480	410B-21-95A	
410B-21-95B	Ass'y, ac probe (less diode) with cable	28480	410B-21-95B	
410B-21-95C	Ass'y, dc probe with cable	28480	410B-21-95C	
410B-21-95D	Ass'y, ohms probe with cable	28480	410B-21-95D	
410B-21-95E	Ass'y, common lead	28480	410B-21-95E	
410B-26	R: fxd, ww, 12 ohms	28480	410B-26	1
410B-55	Shield, test lead terminal board	28480	410B-55	
410B-76F	Connector, female board	28480	410B-76F	
410B-76M	Connector board, male	28480	410B-76M	
0687-1031	R: fxd, comp, 10 K ohm, $\pm 10\%$, 1/2 w	01121	EB-1031	1
0687-2231	R: fxd, comp, 22 K ohm, $\pm 10\%$, 1/2 w	01121	EB-2231	1
0687-5651	R: fxd, comp, 5.6 meg, $\pm 10\%$, 1/2 w	01121	EB-5651	1
0687-6831	R: fxd, comp, 68 K ohms, $\pm 10\%$, 1/2 w	01121	EB-6831	1
0689-1365	R: fxd, comp, 13 meg, $\pm 5\%$, 1 w	01121	GB-1365	1
0689-3315	R: fxd, comp, 330 ohms, $\pm 5\%$, 1 w	01121	GB-3315	2
0689-3955	R: fxd, comp, 3.9 meg, $\pm 5\%$, 1 w	01121	GB-3955	2
0689-6215	R: fxd, comp, 620 ohms, $\pm 5\%$, 1 w	01121	GB-6215	2
0690-1001	R: fxd, comp, 10 ohms, $\pm 10\%$, 1 w Optimum value selected at factory, Average value shown	01121	GB-1001	1
0690-1011	R: fxd, comp, 100 ohms, $\pm 10\%$, 1 w	01121	GB-1011	1
0690-1801	R: fxd, comp, 18 ohms, $\pm 10\%$, 1 w	01121	GB-1801	1
0690-2221	R: fxd, comp, 2200 ohms, $\pm 10\%$, 1 w	01121	GB-2221	1
0690-2261	R: fxd, comp, 22 meg, $\pm 10\%$, 1 w	01121	GB-2261	2
0690-2721	R: fxd, comp, 2700 ohms, $\pm 10\%$, 1 w	01121	GB-2721	1
0690-3311	R: fxd, comp, 330 ohms, $\pm 10\%$, 1 w	01121	GB-3311	1

See introduction to this section

Section V
Table 5-2

Table 5-2. Replaceable Parts (Cont'd)

STOCK NO.	DESCRIPTION	MFR	MFR PART NO.	TQ
0693-1031	R: fxd, comp, 10 K ohm, $\pm 10\%$, 2 w	01121	HB-1031	1
0693-3301	R: fxd, comp, 33 ohms, $\pm 10\%$, 2 w	01121	HB-3301	1
0693-4721	R: fxd, comp, 4700 ohms, $\pm 10\%$, 2 w	01121	HB-4721	1
0693-6821	R: fxd, comp, 6800 ohms, $\pm 10\%$, 2 w	72758	HB-6821	1
0727-0043	R: fxd, C flm, 100 ohms, $\pm 10\%$, 1/2 w	94459	CVG	1
0727-0152	R: fxd, C flm, 9000 ohms, $\pm 1\%$, 1/2 w	91637	MCS 1/2	1
0727-0204	R: fxd, C flm, 90 K ohm, $\pm 1\%$, 1/2 w	91637	MCS 1/2	1
0727-0223	R: fxd, depc, 216,300 ohms, $\pm 1\%$, 1/2 w	91637	MCS 1/2	1
0727-0244	R: fxd, C flm, 500 K ohm, $\pm 1\%$, 1/2 2	91637	DCS 1/2	2
0727-0251	R: fxd, depc, 683,700 ohm, $\pm 1\%$, 1/2 2	91637	MCS 1/2	1
0727-0095	R: fxd, C flm, 900 ohm, $\pm 1\%$, 1/2 2	94459	CVS	1
0730-0079	R: fxd, depc, 216.3 K, $\pm 1\%$, 1 w	91637	DC-1	1
0730-0096	R: fxd, depc, 683.7 K, $\pm 1\%$, 1 w	91637	DC-1	1
0730-0113	R: fxd, depc, 2.163 meg, $\pm 1\%$, 1w, 500 vdcw	91637	DC-1	1
0730-0130	R: fxd, depc, 6.837 meg, $\pm 1\%$, 1 w	91637	DC-1	1
0733-0005	R: fxd, depc, 21.63 meg, $\pm 1\%$, 2 w	91637	DC-2	2
0733-0011	R: fxd, depc, 46.74 meg, $\pm 1\%$, 2 w	91637	DC-2	1
0816-0006	R: fxd, ww, 5 K, $\pm 5\%$, 10 w	35434	obd#	2
0852-0003	Tube, ballast: #6-4, 6 w	000WW	MEC-6-4	1
0900-0013	"O" Ring	28480	0900-0013	1
1102-0009	Meter	55026	Model 121	1
1400-0046	Clip, alligator	28480	1400-0046	
1400-0084	Holder, fuse	75915	342014	1
1450-0003	Pilot lamp jewel	72619	81-121	1
1490-0010	Body, Ohms probe	28480	1490-0011	
1490-0013	Needle, phono	28480	1490-0013	
1880-0005	Rectifier, metallic	84970	4SF-1H1-RV	1
1920-0008	Tube, electron, 2-01C includes tip	72092	#2-01C	1
1920-0010	Tube, electron, EA53 includes spring tip	73445	EA53	1
1930-0016	Tube, electron, 6x4, rectifier	16758	obd#	1
1940-0007	Tube, electron, OB2, voltage regulator	86684	1332	1
2100-0036	R: var, comp, lin tap, 1 K, $\pm 20\%$, 1/2 w	71450	Series 45	1
2100-0050	R: var, ww, 2 sections, front: 100 ohms, rear: 200 ohms, $\pm 10\%$, lin tap, 2 w	71450	C2-252	1
2100-0185	R: var, comp, lin tap, 500 ohms, $\pm 30\%$, 1/4 w	11237	Type PM45	4
2100-0206	R: var, ww, 50 ohms, $\pm 10\%$, 1 w	79727	E-870	3
2100-0870	R: var, ww, 25 ohms, $\pm 10\%$, lin tap, 5 w	71450	Series AW	2
2110-0016	Fuse, cartridge: 0.6 amp, slow blow, for 115 v operation	24446	313.600	1
2110-0018	Fuse, cartridge: 1/4 amp, slow blow, for 230 v operation	24446	obd#	1
2140-0009	Lamp, incandescent: 6-8 v, .15 amp, #47	24455	#47	1
2190-0030	Washer, lock, No. 4, 1/16 in.	28480	2190-0030	
2220-0001	Screw, machine, fillister head, No. 4-40 x 3/16 in.	28480	2220-0001	
2220-0006	Screw, machine, fillister head, No. 4-40 x 3/4 in.	28480	2220-0006	
2340-0001	Nut, No. 4-40 x 1/16 in.	28480	2340-0001	
2360-0015	Screw, machine, round head, No. 6-32 x 1-1/8 in.	28480	2360-0015	

See introduction to this section

Table 5-2. Replaceable Parts (Cont'd)

STOCK NO.	DESCRIPTION	MFR	MFR PART NO.	TQ	
3050-0005	Washer, fiber, extruder #6	28480	3050-0005	1	
3050-0065	Washer, flat, fiber No. 6	28480	3050-0023	1	
3100-0065	Switch, rotary: less components	28480	3100-0065	1	
3130-0030	Switch, power: rear section of selector switch	76854	135664-L2	1	
5080-0681	Tube, electron: 12AU7	28480	12AU7	2	
8120-0003	Cable, coaxial, 41 in.	28480	8120-0004	1	
8120-0050	Power cord	70903	KH4096	1	
8150-0138	Cable, black, 42 in.	28480	8150-0138	1	
8150-0139	Cable, red, 42 in.	28480	8150-0139	1	
9100-0021	Transformer, power	28480	4076	1	

See introduction to this section

APPENDIX CODE LIST OF MANUFACTURERS (Sheet 1 of 2)

The following code numbers are from the Federal Supply Code for Manufacturers Cataloging Handbooks H4-1 (Name to Code) and H4-2 (Code to Name) and their latest supplements. The date of revision and the date of the supplements used appear at the bottom of each page. Alphabetical codes have been arbitrarily assigned to suppliers not appearing in the H4 handbooks.

Code No.	Manufacturer	Address	Code No.	Manufacturer	Address	Code No.	Manufacturer	Address	Code No.	Manufacturer	Address
00000	U. S. A. Common	Any supplier of U.S.	07115	Corning Glass Works	Bradford, Pa.	24655	General Radio Co.	West Concord, Mass.	73293	Hughes Products Division of	Newport Beach, Calif.
00136	McCoy Electronics Corp.	Mount Holly Springs, Pa.		Electronic Components Dept.	Bradford, Pa.	26365	Gries Reproducer Corp.	New Rochelle, N.Y.	73445	Amperex Electronic Co., Div. of North	Pasadena, Calif.
00213	Sage Electronics Corp.	Rochester, N. Y.	07126	Digitran Co.	Pasadena, Calif.	26462	Grobet File Co. of America, Inc.	Carlstadt, N. J.		American Phillips Co. Inc.	Hicksville, N. Y.
00334	Humidai Co.	Colton, Calif.	07137	Transistor Electronics Corp.	Minneapolis, Minn.	26592	Hamilton Watch Co.	Lancaster, Pa.	73490	Beckman Helipol Corp.	Hamden, Conn.
00335	Westrex Corp.	New York, N. Y.	07138	Westinghouse Electric Corp.	Minneapolis, Minn.	28480	Hewlett-Packard Co.	Palo Alto, Calif.	73506	Bradley Semiconductor Corp.	Hartford, Conn.
00373	Garlock Packing Co., Electronic Products Div.	Camden, N. J.	07149	Filmohm Corp.	Elmira, N. Y.	31173	G. E. Receiving Tube Dept.	Owensboro, Ky.	73509	Carling Electric, Inc.	Hartford, Conn.
00656	Aerovox Corp.	New Bedford, Mass.	07233	Cinch-Graphix Co.	New York, N. Y.	35434	Lectrohn Inc.	Chicago, Ill.	73682	George K. Garrett Co., Inc.	Philadelphia, Pa.
00779	Amp, Inc.	Harrisburg, Pa.	07261	Avel Corp.	City of Industry, Calif.	36196	Stanwyck Corp.	Hawkesbury, Ontario, Canada	73734	Federal Screw Prod. Co.	Chicago, Ill.
00781	Aircraft Radio Corp.	Boonton, N. J.	07263	Fairchild Semiconductor Corp.	Los Angeles, Calif.	37942	P. R. Mallory & Co., Inc.	Indianapolis, Ind.	73743	Fischer Special Mig. Co.	Cincinnati, Ohio
00815	Northern Engineering Laboratories, Inc.	Burlington, Wis.	07263	Fairchild Semiconductor Corp.	Los Angeles, Calif.	39543	Mechanical Industries Prod. Co.	Akron, Ohio	73793	The General Industries Co.	Elyria, Ohio
00853	Sangamo Electric Company, Ordill Division (Capacitors)	Marion, Ill.	07322	Minnesota Rubber Co.	Mountain View, Calif.	40920	Miniature Precision Bearings, Inc.	Keene, N. H.	73846	Goshen Stamping & Tool Co.	Goshen, Ind.
00866	Goe Engineering Co.	Los Angeles, Calif.	07387	The Birtcher Corp.	Minneapolis, Minn.	42190	Muter Co.	Chicago, Ill.	73899	JFD Electronics Corp.	Brooklyn, N. Y.
00891	Carl E. Holmes Corp.	Los Angeles, Calif.	07700	Technical Wire Products	Los Angeles, Calif.	43990	C. A. Norgren Co.	Englewood, Colo.	73905	Jennings Radio Mig. Co.	San Jose, Calif.
01121	Allen Bradley Co.	Milwaukee, Wis.	07910	Continental Device Corp.	Los Angeles, Calif.	44655	Ohmite Mig. Co.	Skokie, Ill.	74276	Signalite Inc.	Neptune, N. J.
01255	Litton Industries, Inc.	Beverly Hills, Calif.	07933	Rheem Semiconductor Corp.	Mountain View, Calif.	47904	Polaroid Corp.	Cambridge, Mass.	74455	J. H. Winns, and Sons	Winchester, Mass.
01281	TRW Semiconductors Inc.	Lawndale, Calif.	07966	Shockley Semi-Conductor Laboratories	Palo Alto, Calif.	48620	Precision Thermometer and Inst. Co.	Philadelphia, Pa.	74861	Industrial Condenser Corp.	Chicago, Ill.
01295	Texas Instruments, Inc. Transistor Products Div.	Dallas, Texas	07980	Boonton Radio Corp.	Palo Alto, Calif.	49956	Raytheon Company	Lexington, Mass.	74868	R. F. Products Division of Ampheno- Borg Electronics Corp.	Danbury, Conn.
01349	The Alliance Mig. Co.	Alliance, Ohio	08145	U. S. Engineering Co.	Boonton, N. J.	52090	Rowan Controller Co.	Baltimore, Md.	74970	E. F. Johnson Co.	Waseca, Minn.
01561	Chassi-Trak Corp.	Indianapolis, Ind.	08289	Blinn, Delbert, Co.	Los Angeles, Calif.	63743	Ward Leonard Electric	Mt. Vernon, N. C.	75042	International Resistance Co.	Philadelphia, Pa.
01589	Pacific Relays, Inc.	Van Nuys, Calif.	08358	Burgess Battery Co.	Pomona, Calif.	64294	Shallcross Mig. Co.	Selma, N. C.	75173	Jones, Howard B., Division of Cinch Mig. Corp.	Chicago, Ill.
01910	Amerock Corp.	Rockford, Ill.		Niagara Falls, Ontario, Canada.	Niagara Falls, Ontario, Canada.	55026	Simpson Electric Co.	Chicago, Ill.		James Knights Co.	Sandwich, Ill.
01961	Pulse Engineering Co.	Santa Clara, Calif.	08717	Sloan Company	Burbank, Calif.	55933	Sonotone Corp.	Elmsford, N. Y.	75378	Kulka Electric Corporation	Mt. Vernon, N. Y.
02114	Ferrocube Corp. of America	Saugerties, N. Y.	08718	Cannon Electric Co., Phoenix Div.	Phoenix, Ariz.	55938	Sorenson & Co., Inc.	So. Norwalk, Conn.	75818	Lenz Electric Mig. Co.	Chicago, Ill.
02286	Cole Mig. Co.	Palo Alto, Calif.	08792	CBS Electronics Semiconductor Operations, Div. of C. B. S., Inc.	Lowell, Mass.	56137	Spaulding Fibre Co., Inc.	Tonawanda, N. Y.	75815	Littlefield Inc.	Des Plaines, Ill.
02660	Amphenol-Borg Electronics Corp.	Chicago, Ill.	08984	Mel-Rain	Indianapolis, Ind.	56289	Sprague Electric Co.	North Adams, Mass.	75915	Lord Mig. Co.	Erie, Pa.
02735	Radio Corp. of America, Semiconductor and Materials Div.	Somerville, N. J.	09026	Babcock Relays, Inc.	Indianapolis, Ind.	59446	Telex, Inc.	St. Paul, Minn.	76005	C. W. Marwedel	San Francisco, Calif.
02771	Vocaline Co. of America, Inc.	Old Saybrook, Conn.	09134	Texas Capacitor Co.	Costa Mesa, Calif.	59730	Thomas & Betts Co.	Elizabeth 1, N. J.	76210	Micamold Electronic Mig. Corp.	Brooklyn, N. Y.
02777	Hopkins Engineering Co.	San Fernando, Calif.	09145	Atohm Electronics	Houston, Texas	60741	Tripplett Electrical Inc.	Bluffton, Ohio	76433	Micamold Electronic Mig. Corp.	Brooklyn, N. Y.
03508	G. E. Semiconductor Products Dept.	Syracuse, N. Y.	09250	Electro Assemblies, Inc.	Chicago, Ill.	61775	Union Switch and Signal, Div. of Westinghouse Air Brake Co.	Swissvale, Pa.	76487	James Millen Mig. Co., Inc.	Malden, Mass.
03705	Apex Machine & Tool Co.	Dayton, Ohio	09569	Mallory Battery Co. of Canada, Ltd.	Chicago, Ill.	62119	Universal Electric Co.	Owosso, Mich.	76493	J. W. Miller Co.	Los Angeles, Calif.
03797	Eldeema Corp.	El Monte, Calif.	09664	The Bristol Co.	Chicago, Ill.	63743	Ward-Leonard Electric Co.	Mt. Vernon, N. Y.	76530	Monadnock Mills	San Leandro, Calif.
03877	Transiltron Electronic Corp.	Wakefield, Mass.	10214	General Transistor Western Corp.	Toronto, Ontario, Canada	64959	Western Electric Co., Inc.	New York, N. Y.	76545	Mueller Electric Co.	Cleveland, Ohio
03888	Pyrofilm Resistor Co.	Morrisstown, N. J.		Los Angeles, Calif.	Waterbury, Conn.	65092	Weston Inst. Div. of Daystrom, Inc.	Newark, N. J.	76854	Oak Manufacturing Co.	Crystal Lake, Ill.
03954	Air Marine Motors, Inc.	Los Angeles, Calif.	10411	Ti-Tal, Inc.	Los Angeles, Calif.	66295	Wittne Manufacturing Co.	Chicago 23, Ill.	77068	Bendix Pacific Division of Bendix Corp.	No. Hollywood, Calif.
04009	Arrow, Hart and Hegeman Elect. Co.	Los Angeles, Calif.	10646	Carborundum Co.	Berkeley, Calif.	66346	Wollensak Optical Co.	Rochester, N. Y.	77075	Phasor Metals Co.	San Francisco, Calif.
04013	Taurus Corp.	Hartford, Conn.	11236	CTS of Berne, Inc.	Niagara Falls, N. Y.	70276	Allen Mig. Co.	Hartford, Conn.	77221	Pacific Instrument and Electronic Co.	South Pasadena, Calif.
04062	Elenco Products Co.	Lambertville, N. J.	11237	Chicago Telephone of California, Inc.	Berne, Ind.	70309	Atlied Control Co., Inc.	New York, N. Y.	77250	Phoel Mig. Co.	Chicago, Ill.
04222	Hi-Q Division of Aerovox	Myrtle Beach, S. C.		So. Pasadena, Calif.		70319	Altimetal Screw Prod. Co., Inc.	Garden City, N. Y.	77252	Philadelphia Steel and Wire Corp.	Philadelphia, Pa.
04298	Elgin National Watch Co., Electronics Division	Butank, Calif.	11312	Microwave Electronics Corp.	So. Pasadena, Calif.	70485	Atlantic India Rubber Works, Inc.	Chicago, Ill.	77342	Potter and Brumfield, Div. of American Machine and Foundry	Princeton, Ind.
04354	Precision Paper Tube Co.	Chicago, Ill.	11334	Duncan Electronic, Inc.	Palo Alto, Calif.	70563	Amperite Co., Inc.	New York, N. Y.	77630	Radio Condenser Co.	Camden, N. J.
04404	Dymec Division of Hewlett-Packard Co.	Palo Alto, Calif.	11711	General Instrument Corporation Semiconductor Division	Santa Ana, Calif.	70903	Beiden Mig. Co.	Chicago, Ill.	77638	Radio Receptor Co., Inc.	Brooklyn, N. Y.
04651	Sylvania Electric Prods., Inc. Electronic Tube Div.	Mountain View, Calif.	11717	Imperial Electronic, Inc.	Newark, N. J.	70998	Bird Electronic Corp.	Cleveland, Ohio	77764	Resistance Products Co.	Harrisburg, Pa.
04713	Motorola, Inc., Semiconductor Prod. Div.	Phoenix, Arizona	11870	Melabs, Inc.	Buena Park, Calif.	71002	Birnbach Gear Works Div. of Murray Co. of Texas	Quincy, Mass.	77969	Rubbercraft Corp. of Calif.	Torrance, Calif.
04732	Filttron Co., Inc., Western Div.	Culver City, Calif.	12136	Philadelphia Handle Co.	Palo Alto, Calif.	71021	Boston Gear Works Div. of Murray Co. of Texas	Cleveland, Ohio	78189	Shaepeop Division of Illinois Tool Works	Elgin, Ill.
04773	Automatic Electric Co.	Northlake, Ill.	12597	Claroat Mig. Co.	Denver, N. H.	71218	Bud Radio, Inc.	Cleveland, Ohio	78283	Signal Indicator Corp.	New York, N. Y.
04777	Automatic Electric Sales Corp.	Northlake, Ill.	12859	Nippon Electric Co., Ltd.	Tokyo, Japan	71286	Camloc Fastener Corp.	Paramus, N. J.	78290	Sturbers-Dunn Inc.	Pittman, N. J.
04796	Seporia Wire & Cable Co.	Redwood City, Calif.	12930	Delta Semiconductor Inc.	Newport Beach, Calif.	71313	Allen D. Cardwell Electronic Prod. Corp.	Plainville, Conn.	78452	Thompson-Bremer & Co.	Chicago, Ill.
04811	Precision Coil Spring Co.	El Monte, Calif.	13103	Thermolloy	Dallas, Texas	71400	Bussmann Fuse Div. of McGraw- Edison Co.	St. Louis, Mo.	78471	Tilley Mig. Co.	San Francisco, Calif.
04870	P. M. Motor Company	Chicago 44, Ill.	13396	Telefunken (G. M. B. H.)	Hannover, Germany	71436	Chicago Condenser Corp.	Chicago, Ill.	78488	Stackpole Carbon Co.	St. Marys, Pa.
05006	Twentieth Century Plastics, Inc.	Los Angeles, Calif.	13835	Midland Mig. Co.	Kansas City, Kansas	71450	CTS Corp.	Elkhart, Ind.	78493	Standard Thompson Corp.	Waltham, Mass.
05277	Westinghouse Electric Corp., Semi-Conductor Dept.	Youngwood, Pa.	14099	Sem-Tech	Newbury Park, Calif.	71468	Cannon Electric Co.	Los Angeles, Calif.	78553	Timmerman Products, Inc.	Cleveland, Ohio
05347	Ultronic, Inc.	San Mateo, Calif.	14193	Calif. Resistor Corp.	Santa Monica, Calif.	71471	Cinema Engineering Co.	Burbank, Calif.	78970	Transformer Products, Inc.	Pasadena, Calif.
05593	Illumitronic Engineering Co.	Sunnyvale, Calif.	14298	American Components, Inc.	Conshohocken, Pa.	71482	C. P. Clare & Co.	Chicago, Ill.	78947	Ucmite Co.	Newtonville, Mass.
05616	Cosmo Plastic (c. o. Electrical Spec. Co.)	Cleveland, Ohio	14655	Cornell Dubilier Elec. Corp.	So. Plainfield, N. J.	71590	Centraal Div. of Globe Union Inc.	Milwaukee, Wis.	79142	Veeder Root, Inc.	Hartford, Conn.
05624	Barber Colman Co.	Rockford, Ill.	14960	Williams Mig. Co.	San Jose, Calif.	71616	Commercial Plastics Co.	Chicago, Ill.	79251	Wenco Mig. Co.	Chicago, Ill.
05728	Tiffen Optical Co.	Roslyn Heights, Long Island, N. Y.	15203	Webster Electronics Co., Inc.	Brooklyn, N. Y.	71700	The Cornish Wire Co.	New York, N. Y.	79727	Continental-Witt Electronics Corp.	Philadelphia, Pa.
05729	Metropolitan Telecommunications Corp., Metro Cap. Division	Brooklyn, N. Y.	15291	Adjustable Bushing Co.	N. Hollywood, Calif.	71744	Chicago Miniature Lamp Works	Chicago, Ill.	79963	Zierick Mig. Corp.	New Rochelle, N. Y.
05783	Stewart Engineering Co.	Santa Cruz, Calif.	15772	Twentieth Century Coil Spring Co.	Santa Clara, Calif.	71753	A. O. Smith Corp., Crowley Div.	West Orange, N. J.	80031	Mepro Division of Sessions Clock Co.	Morristown, N. J.
05820	Wakefield Engineering Inc.	Wakefield, Mass.	15909	The Daven Co.	Livingston, N. J.	71785	Cinch Mig. Corp.	Chicago, Ill.	80120	Schnitzer Alloy Products	Elizabeth, N. J.
06004	The Bassick Co.	Bridgeport, Conn.	16037	Spruce Pine Mica Co.	Spruce Pine, N. C.	71984	Dow Corning Corp.	Midland, Mich.	80130	Times Facsimile Corp.	New York, N. Y.
06175	Bausch and Lomb Optical Co.	Rochester, N. Y.	16352	Computer Diode Corp.	Lodi, N. J.	72092	Eitel-McCullough, Inc.	San Bruno, Calif.	80131	Electronic Industries Association. Any brand tube meeting EIA standards	Washington, D. C.
06402	E. T. A. Products Co. of America	Chicago, Ill.	16688	De Jur-Amsco Corporation	Long Island City 1, N. Y.	72136	Electro Motive Mig. Co., Inc.	Willimantic, Conn.	80207	Unimax Switch, Div. of W. L. Maxson Corp.	Wallingford, Conn.
06475	Western Devices, Inc.	Inglewood, Calif.	16758	Delco Radio Div. of G. M. Corp.	Kokomo, Ind.	71707	Coil Coil Co., Inc.	Providence, R. I.	80223	United Transformer Corp.	New York, N. Y.
06540	Amaton Electronic Hardware Co. Inc.	New Rochelle, N. Y.	17109	Thermionics Inc.	Canoga Park, Calif.	72354	John E. Fast & Co.	Chicago, Ill.	80248	Oxford Laboratories, Inc.	Chicago, Ill.
06556	Beede Electrical Instrument Co., Inc.	Penacook, N. H.	17474	Tranex Company	Mountain View, Calif.	72619	Dialight Corp.	Brooklyn, N. Y.	80294	Borns Laboratories, Inc.	Riverside, Calif.
06751	U. S. Sencor Division of Nuclear Corp. of America	Phoenix, Arizona	18486	Radio Industries	Des Plaines, Ill.	72656	General Ceramics Corp.	Keasbey, N. J.	80411	Acro Div. of Robershaw Fulton Controls Co.	Columbus 16, Ohio
06812	Torrington Mig. Co., West Div.	Van Nuys, Calif.	18583	Curtis Instrument Inc.	Mt. Kisco, N. Y.	72699	General Instrument Corp., Semiconductor Div.	Newark, N. J.	80466	All Star Products Inc.	Defiance, Ohio
07088	Kelvin Electric Co.	Van Nuys, Calif.	18873	E. I. DuPont and Co., Inc.	Wilmington, Del.	72758	Girard-Hopkins	Oakland, Calif.	80509	Avery Adhesive Label Corp.	Monrovia, Calif.
			19315	Eclipse Pioneer, Div. of Bendix Aviation Corp.	Teterboro, N. J.	72765	Drake Mig. Co.	Chicago, Ill.	80583	Hamerlund Co., Inc.	New York, N. Y.
			19500	Thomas A. Edison Industries, Div. of McGraw-Edison Co.	West Orange, N. J.	72825	Hugh H. Eby Inc.	Philadelphia, Pa.	80640	Stevens, Arnold, Co., Inc.	Boston, Mass.
			19701	Electra Manufacturing Co.	West Orange, N. J.	72928	Gudeman Co.	Chicago, Ill.	81030	International Instruments, Inc.	New Haven, Conn.
			20183	Electronic Tube Corp.	Philadelphia, Pa.	72964	Robert M. Hadley Co.	Los Angeles, Calif.	81073	Griffith Co.	LaGrange, Ill.
			21226	Executive, Inc.	New York, N. Y.	72982	Erie Resistor Corp.	Erie, Pa.	81095	Triad Transformer Corp.	Venice, Calif.
			21520	Fansteeel Metallurgical Corp.	No. Chicago, Ill.	73061	Hansen Mig. Co., Inc.	Princeton, Ind.	81312	Winchester Electronics Co., Inc.	Norwalk, Conn.
			21335	The Falmir Bearing Co.	New Britain, Conn.	73076	H. M. Harper Co.	Chicago, Ill.			
			21964	Fed. Telephone and Radio Corp.	Clifton, N. J.	73138	Helipol Div. of Beckman Instruments, Inc.	Fullerton, Calif.			
			24446	General Electric Co.	Schenectady, N. Y.						
			24455	G. E. Lamp Division	Nela Park, Cleveland, Ohio						

APPENDIX CODE LIST OF MANUFACTURERS (Sheet 2 of 2)

Code No.	Manufacturer	Address	Code No.	Manufacturer	Address	Code No.	Manufacturer	Address	Code No.	Manufacturer	Address
81349	Military Specification	85474	R. M. Bracamonte & Co.	San Francisco, Calif.	93929	G. V. Controls	Livingston, N. J.	98220	Francis L. Mosley	Pasadena, Calif.
81415	Wilkor Products, Inc.	Cleveland, Ohio	85660	Koiled Kords, Inc.	New Haven, Conn.	93983	Insuline-Van Norman Ind., Inc.	98278	Microdot, Inc.	So. Pasadena, Calif.
81453	Raytheon Mfg. Co., Industrial Components Div., Industr. Tube Operations	Newton, Mass.	85911	Seamless Rubber Co.	Chicago, Ill.	94137	Electronic Division	Manchester, N. H.	98291	Sealcraft Corp.	Mamaroneck, N. Y.
81483	International Rectifier Corp.	El Segundo, Calif.	86197	Clifton Precision Products	Clifton Heights, Pa.	94144	General Cable Corp.	Bayonne, N. J.	98405	Carad Corp.	Redwood City, Calif.
81541	The Airpax Products Co.	Cambridge, Mass.	86579	Precision Rubber Products Corp.	Dayton, Ohio	94145	Raytheon Mfg. Co., Industrial Components Div., Receiving Tube Operation	Quincy, Mass.	98731	General Mills	Minneapolis, Minn.
81860	Barry Controls, Inc.	Watertown, Mass.	86684	Radio Corp. of America, RCA Electron Tube Div.	Harrison, N. J.	94148	Raytheon Mfg. Co., Semiconductor Div., California Street Plant	Newton, Mass.	98821	North Hills Electric Co.	Minneapolis, N. Y.
82042	Carter Parts Co.	Skokie, Ill.	87216	Philco Corporation (Lansdale Division)	Lansdale, Pa.	94154	Scientific Radio Products, Inc.	98925	Clevite Transistor Prod. Div., of Clevite Corp.	Waltham, Mass.
82142	Jefferis Electronics Division of Speer Carbon Co.	Du Bois, Pa.	87473	Western Fibrous Glass Products Co.	94197	Tung-Sol Electric, Inc.	Loveland, Colo.	98978	International Electronic Research Corp.	Burbank, Calif.
82170	Allen B. DuMont Labs, Inc.	Clifton, N. J.	87664	Van Waters & Rogers Inc.	San Francisco, Calif.	94197	Curtiss-Wright Corp., Electronics Div.	Newark, N. J.	99109	Columbia Technical Corp.	New York, N. Y.
82209	Maguire Industries, Inc.	Greenwich, Conn.	87930	Tower Mfg. Corp.	Seattle, Wash.	94222	Tri-Ohm Prod. Div. of Model Engineering and Mfg. Co.	East Paterson, N. J.	99313	Varian Associates	Palto Alto, Calif.
82219	Sylvania Electric Prod., Inc. Electronic Tube Div.	Emporium, Pa.	88140	Cutler-Hammer, Inc.	Providence, R. I.	94310	Wire Cloth Products Inc.	Lester, Pa.	99515	Marshall Industries, Electron Products Division	Pasadena, Calif.
82376	Astron Co.	East Newark, N. J.	88220	Gould-National Batteries, Inc.	Lincoln, Ill.	94330	Worcester Pressed Aluminum Corp.	99707	Control Switch Division, Controls Co. of America	Pasadena, Calif.
82389	Switchcraft, Inc.	Chicago, Ill.	88598	General Mills, Inc.	St. Paul, Minn.	94682	Philbrick Researchers, Inc.	Worcester, Mass.	99707	Control Switch Division, Controls Co. of America	Pasadena, Calif.
82647	Metals and Controls, Inc., Div. of Texas Instruments, Inc., Spencer Prods.	Chicago, Ill.	89231	Graybar Electric Co.	Buffalo, N. Y.	95023	Allies Products Corp.	Boston, Mass.	99800	Delevan Electronics Corp.	El Segundo, Calif.
82866	Research Products Corp.	Attleboro, Mass.	89462	Waldes Kohmooor, Inc.	Oakland, Calif.	95236	Continental Connector Corp.	99848	Wilco Corporation	East Aurora, N. Y.
82877	Roltron Manufacturing Co., Inc.	Madison, Wis.	89473	General Electric Distributing Corp.	Cambridge, Mass.	95263	Leecraft Mfg. Co., Inc.	New York, N. Y.	99934	Renbrandt, Inc.	Boston, Mass.
82893	Vector Electronic Co.	Woodstock, N. Y.	89636	Carter Paris Div. of Economy Baler Co.	Schenectady, N. Y.	95264	Lercro Electronics, Inc.	Burbank, Calif.	99942	Hoffman Semiconductor Div. of Hoffman Electronics Corp.	Evanson, Ill.
83053	Western Washer Mfr. Co.	Glendale, Calif.	89665	United Transformer Co.	Chicago, Ill.	95265	National Coil Co.	Burbank, Calif.	99957	Technology Instrument Corp. of Calif.	Newbury Park, Calif.
83058	Carr Fastener Co.	Los Angeles, Calif.	90179	U. S. Rubber Co., Mechanical Goods Div.	Chicago, Ill.	95275	Vitramon, Inc.			
83086	New Hampshire Ball Bearing, Inc.	Cambridge, Mass.	90970	Bearing Engineering Co.	Passaic, N. J.	95348	Cordas Corp.	Bridgeport, Conn.			
83125	Pyramid Electric Co.	Peterborough, N. H.	91260	Connor Spring Mfg. Co.	San Francisco, Calif.	95354	Method Mfg. Co., Inc.	Bloomfield, N. J.			
83148	Electro Cords Co.	Darlington, S. C.	91345	Miller Dial & Nameplate Co.	San Francisco, Calif.	95712	Dage Electric Co., Inc.	Chicago, Ill.			
83186	Victory Engineering Corp.	Los Angeles, Calif.	91418	Radio Materials Co.	El Monte, Calif.	95987	Weekesser Co.	Franklin, Ind.			
83298	Bendix Corp., Red Bank Div.	Springfield, N. J.	91506	Augal Brothers, Inc.	Chicago, Ill.	96067	Huggins Laboratories	Chicago, Ill.			
83315	Hubbell Corp.	Red Bank, N. J.	91637	Dale Electronics, Inc.	Attleboro, Mass.	96095	Huggins Laboratories	Sunnyvale, Calif.			
83330	Smith, Herman H., Inc.	Mundelein, Ill.	91652	Elco Corp.	Columbus, Nebr.	96256	Hi-Q Division of Aerovox	Olean, N. Y.			
83385	Central Screw Co.	Brooklyn, N. Y.	91737	Grenar Mfg. Co., Inc.	Philadelphia, Pa.	96296	Thordarson-Messner Div. of Maguire Industries, Inc.			
83501	Gavitt Wire and Cable Co., Div. of Amerace Corp.	Chicago, Ill.	91827	K F Development Co.	Wakefield, Mass.	96330	Solar Manufacturing Co.	Mt. Carmel, Ill.			
83594	Burroughs Corp., Electronic Tube Div.	Redwood City, Calif.	91929	Minneapolis-Honeywell Regulator Co.	Redwood City, Calif.	96337	Carlton Screw Co.	Los Angeles, Calif.			
83740	Eveready Battery	Brookfield, Mass.	91961	Microsswitch Div.	96341	Microwave Associates, Inc.	Sherridan, Wyo.			
83777	Model Eng. and Mfg., Inc.	Plainfield, N. J.	92180	Nahm-Bros. Spring Co.	Freeport, Ill.	96501	Excel Transformer Co.	Bridgeport, Conn.			
83821	Loyd Scruggs Co.	New York, N. Y.	92367	Triu-Connector Corp.	Oakland, Calif.	97464	Industrial Retaining Ring Co.	Burlington, Mass.			
84171	Arco Electronics, Inc.	Huntington, Ind.	92607	Universal Metal Prod., Inc.	Peabody, Mass.	97539	Automatic and Precision Mfg. Co.	Burlington, Mass.			
84396	A. J. Giesener Co., Inc.	Festus, Mo.	92667	Elgeet Optical Co., Inc.	Bassett Puente, Calif.	97966	CBS Electronics, Div. of C. B. S., Inc.	Yonkers, N. Y.			
84411	Good All Electric Mfg. Co.	New York, N. Y.	93332	Tinsolite Insulated Wire Co.	Rochester, N. Y.	97979	Reon Resistor Corp.	Danvers, Mass.			
84970	Sarkes Tarzian, Inc.	San Francisco, Calif.	93369	Sylvania Electric Prod. Inc., Semiconductor Div.	Tarrytown, N. Y.	98141	Axel Brothers Inc.	Yonkers, N. Y.			
85454	Boonton Molding Company	Dagallala, Neb.	93788	Robbins and Myers, Inc.	Woburn, Mass.	98159	Rubber Teck, Inc.	Jamaica, N. Y.			
85471	A. B. Boyd Co.	Bloomington, Ind.		Stevens Mfg. Co., Inc.	New York, N. Y.			Gardena, Calif.			
		Boonton, N. J.		Howard J. Smith Inc.	Mansfield, Ohio						
		San Francisco, Calif.			Port Monmouth, N. J.						

THE FOLLOWING H-P VENDORS HAVE NO NUMBER ASSIGNED IN THE LATEST SUPPLEMENT TO THE FEDERAL SUPPLY CODE FOR MANUFACTURERS HANDBOOK.

J0000	Winchester Electronics, Inc.	Santa Monica, Calif.
0000F	Malco Tool and Die	Los Angeles, Calif.
0000M	Western Coil Div. of Automatic Ind., Inc.	Redwood City, Calif.
0000P	Ty-Car Mfg. Co., Inc.	Holliston, Mass.
0000Z	Willow Leather Products Corp.	Newark, N. J.
000AA	British Radio Electronics Ltd.	Washington, D. C.
000AB	ETA	England
000AC	Indiana General Corp., Elect. Div.	Indiana
000BB	Precision Instrument Components Co.	Van Nuys, Calif.
000MM	Rubber Eng. & Development	Hayward, Calif.
000NN	A "N" D Manufacturing Co.	San Jose 27, Calif.
000OQ	Cooltron	Oakland, Calif.
000SS	Control of Elgin Watch Co.	Burbank, Calif.
000WW	California Eastern Lab.	Burlingame, Calif.
000YY	S. K. Smith Co.	Los Angeles 45, Calif.

SALES AND SERVICE OFFICES IN THE U.S. AND CANADA

ALABAMA

Huntsville, 35801
Hewlett-Packard
Southern Sales Division
Holiday Office Ctr., Suite 18
(205) 881-4591
TWX: 510-579-2204

ARIZONA

Scottsdale, 85251
Hewlett-Packard
Neely Sales Division
3009 No. Scottsdale Rd.
(602) 945-7601
TWX: 602-949-0111

Tucson, 85716
Hewlett-Packard
Neely Sales Division
232 So. Tucson Blvd.
(602) 623-2564
TWX: 602-792-2759

CALIFORNIA

Los Angeles Area
Hewlett-Packard
Neely Sales Division
3939 Lankershim Blvd.
North Hollywood 91604
(213) 877-1282 and 766-3811
TWX: 910-499-2170

Sacramento, 95821
Hewlett-Packard
Neely Sales Division
2591 Carlsbad Ave.
(916) 482-1463
TWX: 916-444-8683

San Diego, 92106
Hewlett-Packard
Neely Sales Division
1055 Shafter Street
(714) 223-8103
TWX: 714-276-4263

San Francisco Area
Hewlett-Packard
Neely Sales Division
501 Laurel Street
San Carlos 94071
(415) 591-7661
TWX: 910-376-4390

COLORADO

Englewood, 80110
Hewlett-Packard
Lahana Sales Division
7965 East Prentice
(303) 771-3455
TWX: 303-771-3056

CONNECTICUT

Middletown, 06458
Hewlett-Packard
Yewell Sales Division
589 Saybrook Rd.
(203) 346-6611
TWX: 203-346-7433

FLORIDA

Miami, 33125
Hewlett-Packard
Florida Sales Division
2907 Northwest 7th St.
(305) 635-6461

Orlando, 32803
Hewlett-Packard
Florida Sales Division
621 Commonwealth Ave.
(305) 425-5541
TWX: 305-275-1234

St. Petersburg, 33708
Hewlett-Packard
Florida Sales Division
410-150th Ave., Madeira Beach
(813) 391-0211
TWX: 813-391-0666

GEORGIA

Atlanta, 30305
Hewlett-Packard
Southern Sales Division
3110 Maple Drive, N. E.
(404) 233-1141
TWX: 810-751-3283

ILLINOIS

Chicago, 60645
Hewlett-Packard
Crossley Sales Division
2501 West Peterson Ave.
(312) 275-1600
TWX: 910-221-0277

INDIANA

Indianapolis, 46205
Hewlett-Packard
Crossley Sales Division
3919 Meadows Dr.
(317) 546-4891
TWX: 317-635-4300

KENTUCKY

Louisville, 40218
Hewlett-Packard
Southern Sales Division
Suite 4, 3411 Bardstown Rd.
(502) 459-4140
TWX: 810-535-3128

MARYLAND

Baltimore, 21207
Hewlett-Packard
Horman Sales Division
6660 Security Blvd.
(301) 944-5400

Washington, D. C. Area
Hewlett-Packard
Horman Sales Division
941 Rollins Avenue
Rockville 20852
(301) 427-7560
TWX: 710-828-9684

MASSACHUSETTS

Boston Area
Hewlett-Packard
Yewell Sales Division
Middlesex Turnpike
Burlington 01804
(617) 272-9000
TWX: 710-332-0382

MICHIGAN

Detroit, 48235
Hewlett-Packard
Crossley Sales Division
14425 West Eight Mile Road
(313) 342-5700
TWX: 313-342-0702

MINNESOTA

St. Paul, 55114
Hewlett-Packard
Crossley Sales Division
842 Raymond Avenue
(612) 646-7881
TWX: 612-551-0055

MISSOURI

Kansas City, 64131
Harris-Hanson Company
7916 Paseo Street
(816) 444-9494
TWX: 816-556-2423

St. Louis, 63144
Harris-Hanson Company
2814 South Brentwood Blvd.
(314) 647-4350
TWX: 314-962-3933

NEW JERSEY

Asbury Park Area
Hewlett-Packard
Robinson Sales Division
Shrewsbury
(201) 747-1060

Englewood, 07631

Hewlett-Packard
RMC Sales Division
391 Grand Avenue
(201) 567-3933

NEW MEXICO

Albuquerque, 87108
Hewlett-Packard
Neely Sales Division
6501 Lomas Blvd., N. E.
(505) 255-5586
TWX: 505-243-8314

Las Cruces, 88001

Hewlett-Packard
Neely Sales Division
114 S. Water Street
(505) 526-2486
TWX: 505-524-2671

NEW YORK

New York, 10021
Hewlett-Packard
RMC Sales Division
236 East 75th Street
(212) 879-2023
TWX: 710-581-4376

Rochester, 14625

Hewlett-Packard
Syracuse Sales Division
800 Linden Avenue
(716) 381-4120
TWX: 716-221-1514

Poughkeepsie, 12601
Hewlett-Packard
Syracuse Sales Division
82 Washington St.
(914) 454-7330
TWX: 914-452-7425

Syracuse, 13211

Hewlett-Packard
Syracuse Sales Division
Pickard Bldg., E. Molloy Rd.
(315) 454-2486
TWX: 315-477-1375

NORTH CAROLINA

High Point, 27262
Hewlett-Packard
Southern Sales Division
1923 N. Main Street
(919) 882-6873
TWX: 510-926-1516

OHIO

Cleveland, 44129
Hewlett-Packard
Crossley Sales Division
5579 Pearl Road
(216) 884-9209
TWX: 216-888-0715

Dayton, 45409

Hewlett-Packard
Crossley Sales Division
1250 W. Dorothy Lane
(513) 299-3594
TWX: 513-944-0090

PENNSYLVANIA

Camp Hill
Hewlett-Packard
Robinson Sales Division
(717) 737-6791

Philadelphia Area

Hewlett-Packard
Robinson Sales Division
144 Elizabeth Street
West Conshohocken 19428
(215) 248-1600 and 828-6200
TWX: 215-828-3847

Pittsburgh Area

Hewlett-Packard
Crossley Sales Division
2545 Moss Side Blvd.
Monroeville 15146
(412) 271-5227
TWX: 710-797-3650

TEXAS

Dallas, 75209
Hewlett-Packard
Southwest Sales Division
P.O. Box 7166, 3605 Inwood Rd.
(214) 357-1881 and 332-6667
TWX: 910-861-4081

Houston, 77027

Hewlett-Packard
Southwest Sales Division
P.O. Box 22813, 4242 Richmond Ave.
(713) 667-2407
TWX: 713-571-1353

UTAH

Salt Lake City, 84115
Hewlett-Packard
Lahana Sales Division
1482 Major St.
(801) 486-8166
TWX: 801-521-2604

VIRGINIA

Richmond, 23230
Hewlett-Packard
Southern Sales Division
2112 Spencer Road
(703) 282-5451
TWX: 703-282-9986

WASHINGTON

Seattle Area
Hewlett-Packard
Neely Sales Division
11656 N. E. 8th St.
Bellevue 98004
(206) GL4-3971
TWX: 910-443-2303

CANADA

Montreal, Quebec
Hewlett-Packard (Canada) Ltd.
8270 Mayrand Street
(514) 735-2273
TWX: 610-421-3484

Ottawa, Ontario
Hewlett-Packard (Canada) Ltd.
1762 Carling Avenue
(613) 722-4223
TWX: 610-562-1952

Toronto, Ontario
Hewlett-Packard (Canada) Ltd.
1415 Lawrence Avenue, West
(416) 249-9196
TWX: 610-492-2382

HEWLETT  PACKARD

INTERNATIONAL SALES AND SERVICE OFFICES

ARGENTINA

Mauricio A. Saurez
Telecomunicaciones
Carlos Calvo 224, Buenos Aires
Tel: 30-6312

AUSTRALIA

Sample Electronics (Vic.) Pty. Ltd.
9-11 Cremorne Street
Richmond E. 1, Victoria
Tel: 42-4757 (3 lines)
Sample Electronics (N.S.W.) Pty. Ltd.
4 Grose Street, Glebe, Sydney
New South Wales
Tel: 69-6338 (6 lines)

AUSTRIA

Unilabor G.m.b.H.
Rummelhardtgasse 6/3
Vienna
Tel: 426.181

BELGIUM

Hewlett-Packard Benelux S.A.
20-24 Rue de l'Hopital, Brussels
Tel: 11.22.20

BRAZIL

Ciental Importacao E Comercio Ltda.
Rua Cons. Crispiniano, 69, 8. ° And.,
Conj. 81, Sao Paulo
Tel: 32-4332

CANADA

Hewlett-Packard (Canada) Ltd.
8270 Mayrand Street
Montreal, Quebec
(514) 735-2273
Hewlett-Packard (Canada) Ltd.
1762 Carling Avenue
Ottawa, Ontario
(613) 722-8162
Hewlett-Packard (Canada) Ltd.
1415 Lawrence Avenue W.
Toronto, Ontario
(416) 249-9196

CHILE

Hector Calcagni
Casilla 13942
Santiago
Tel: 6.42.26

DENMARK

Tage Olsen A/S
Ronnegade 1
Copenhagen Ø
Tel: 29.48.00

FINLAND

INTO O/Y
P. O. Box 153
Meritullinkatu 11, Helsinki
Tel: 66.39.09 and 35.125

FRANCE

Hewlett-Packard France
150 Boulevard Massena
Paris 13e
Tel: 707.97.19

GERMANY

Hewlett-Packard V.m.b.H.
Steindamm 35, Hamburg
Tel: 24.05.51
Hewlett-Packard V.m.b.H.
Kurhessenstrasse 95
Frankfurt am Main
Tel: 52.00.36

Hewlett-Packard V.m.b.H.
Reginfriedstrasse 13
Munich 9
Tel: 49.51.21/22

Hewlett-Packard V.m.b.H.
Technisches Büro
Herrenbergerstrasse 110
703 Böblingen, Württemberg
Tel: 6971

GREECE

K. Karayannis
Klaffmonos Square, Athens 124
Tel: 230.301 (5 lines)

INDIA

The Scientific Instrument Company, Ltd.
6, Tej Bahadur Sapru Road, Allahabad 1
Tel: 2451

The Scientific Instrument Company, Ltd.
240, Dr. Dadabhai Naoroji Road,
Bombay 1
Tel: 26-2642

The Scientific Instrument Company, Ltd.
11, Esplanade East, Calcutta 1
Tel: 23-4129

The Scientific Instrument Company, Ltd.
30, Mount Road, Madras 2
Tel: 86339

The Scientific Instrument Company, Ltd.
B-7, Ajmeri Gate Extn., New Delhi 1
Tel: 271053

IRAN

Telecom Ltd.
P. O. Box 1812, Tehran
Tel: 43850, 48111

ISRAEL

Electronics & Engineering Ltd.
16 Kremenetski St., Tel Aviv
Tel: 35021 (3 lines)

ITALY

Hewlett-Packard Italiana S.p.A.
Viale Lunigiana 46, Milan
Tel: 69.15.84/5/6

Hewlett-Packard Italiana S.p.A.
Piazza Marconi, 25
Roma-Eur
Tel: 59.25.44/5

JAPAN

Yokogawa-Hewlett-Packard Ltd.
2270 Ishikawa-cho
Hachioji, Tokyo
Tel: Hachioji 0426-3-1231 (19 lines)

Yokogawa-Hewlett-Packard Ltd.
No. 3, 6-chome, Aoyama-Kitamachi
Akasaka, Minato-ku, Tokyo
Tel: 403-0073, 403-0074, 403-0075

Yokogawa-Hewlett-Packard Ltd.
No. 8, Umeda, Kita-ku, Osaka City
Tel: 361-3084, 341-2095

Yokogawa-Hewlett-Packard Ltd.
No. 4, 3-chome, Himeikedori,
Chigusa-ku, Nagoya City
Tel: 75-8545

KOREA

American Trading Company, Korea, Ltd.
112-35 Sokong-Dong
Seoul P. O. Box 1103
Seoul
Tel: 3-7049, 3-7613

NETHERLANDS

Hewlett-Packard Benelux N.V.
23 Burg Roellstraat, Amsterdam W.
Tel: (020) 13.28.98 and 13.54.99

NEW ZEALAND

Sample Electronics (N. Z.) Ltd.
8 Matipo Street
Onehunga S. E. 5, Auckland
Tel: 565-361

NORWAY

Morgenstjerne & Co. A/S
Ingeniørfirma
6 Wessels Gate, Oslo
Tel: 20 16 35

PORTUGAL

Telectra
Rua Rodrigo da Fonseca 103
P. O. Box 2531
Lisbon 1
Tel: 68 60 72 and 68 60 73 and 68 60 74

PUERTO RICO & VIRGIN ISLANDS

San Juan Electronics, Inc.
150 Ponce de Leon, Stop 3
P. O. Box 5167
Pta. de Tierra Sta., San Juan 00906
Tel: 722-3342, 724-4406

SPAIN

ATAIO, Ingenieros
A. Aguilera, No. 8, Madrid 15
Tel: 223.27.42, 223.41.71, and 224.84.97

SOUTH AFRICA

F. H. Flanter & Co. (Pty.), Ltd.
Rosella House
Buitencingle Street, Cape Town
Tel: 3-3817

SWEDEN

H-P Instrument AB
Centralvagen 28, Solna Centrum
Tel: 08-83.08.30 and 10-83.08.30

SWITZERLAND

Max Pual Frey
Wankdorffeldstrasse 66, Bern
Tel: (031) 42.00.78

TAIWAN (FORMOSA)

Hwa Sheng Electronic Co., Ltd.
21 Nanking West Road, Taipei
Tel: 4-6076, 4-5936

TURKEY

TELEKOM Engineering Bureau
P.O. Box 376—Galata, Istanbul
Tel: 49.40.40

UNITED KINGDOM

Hewlett-Packard Ltd.
Dallas Road
Bedford, England
Tel: Bedford 68052

VENEZUELA

Citec, C. A.
Edif. Arisan-Of #4
Avda. Francisco de Miranda-Chacaito
Apartado del Este 10.837, Caracas
Tel: 71.88.05

YUGOSLAVIA

Belram S.A.
83 Av. des Mimosas
Brussels 15, Belgium
Tel: 35.29.58

For Sales and Service Assistance in Areas Not Listed Contact:

IN EUROPE

Hewlett-Packard, S. A.
54 Route des Acacias
Geneva, Switzerland
Telephone: (022) 42.81.50
Telex: 2.24.86
Cable: HEWPACKSA

IN LATIN AMERICA

Hewlett-Packard Inter-Americas
1501 Page Mill Road
Palo Alto, California 94304, U.S.A.
Telephone: (415) 326-7000
TWX: 910-373-1267
Telex: 033811 Cable: HEWPACK

ELSEWHERE

Hewlett-Packard
International Marketing Department
1501 Page Mill Road
Palo Alto, California 94304, U.S.A.
Telephone: (415) 326-7000
TWX: 910-373-1267
Telex: 033811 Cable: HEWPACK

hp MANUAL BACKDATING CHANGES

MODEL 410B

VACUUM TUBE VOLTMETER

Manual Serial Prefixed 024
-hp- Part No. 410B-901

To adapt this manual to instruments with other serial prefixes check for errata below, and make changes shown in tables.

Instrument Serial Prefix	Make Manual Changes	Instrument Serial Prefix	Make Manual Changes
024-44032 and below	1	Serial 21433 and below	1, 2, 3, 4, 5
Below 024-	1, 2	Serials 04252 and below	1, 2, 3, 4, 5, 6
003-31433 and below	1, 2, 3		
Serials 21434-25833	1, 2, 3, 4		

NOTE

-hp- Part No. and -hp- Stock No. are synonymous.

CHANGE #1

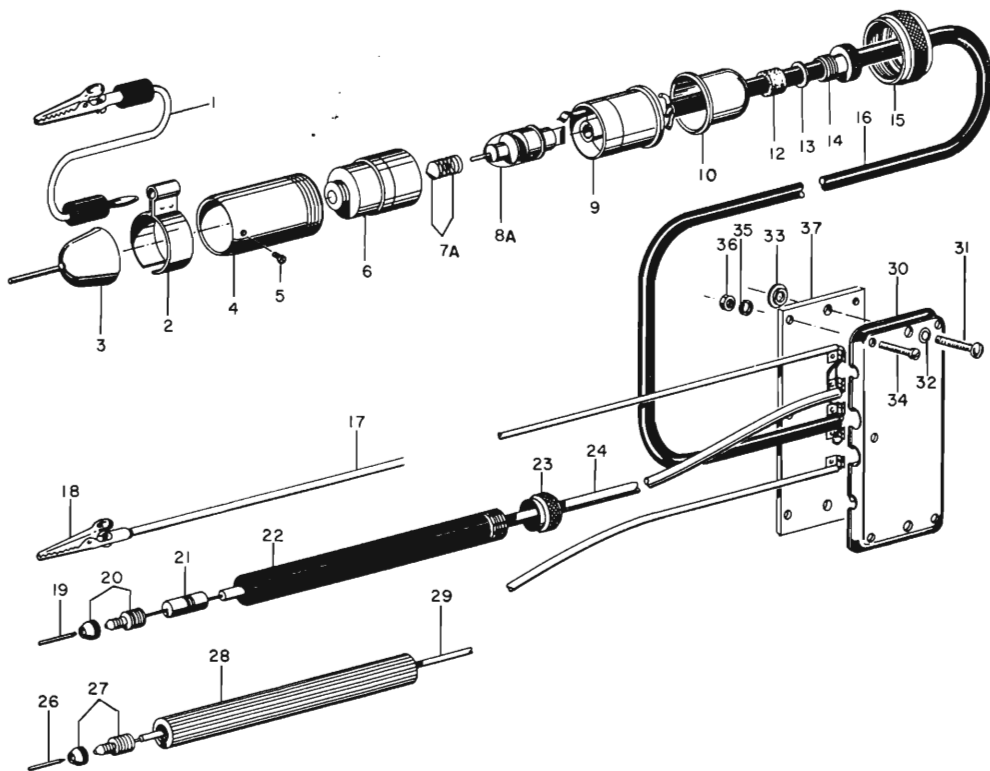
Table of Replaceable Parts and Figure 4-8
Change R27 and R29 to 270 ohms -hp- Part No. 0689-2715.
Change R26 and R30 to 680 ohms -hp- Part No. 0689-6815.

CHANGE #2

Table of Replaceable Parts and Figure 4-8
Change R49 and R50 to -hp- Part No. 2100-0035.
(-hp- Part No. 2100-0870 may be used in all instruments.)

CHANGE #3

Figure 4-1, Test Probe Assembly.
Change figure to the following:



Instrument Serial Prefix	Make Manual Changes	Instrument Serial Prefix	Make Manual Changes
024-44032 and below	1	Serial 21433 and below	1, 2, 3, 4, 5
Below 024-	1, 2	Serial 04252 and below	1, 2, 3, 4, 5, 6
003-31433 and below	1, 2, 3		
Serials 21434-25833	1, 2, 3, 4		

Section V, Table of Replaceable Parts

Change the -hp- Part No. for the following parts according to reference designators. The parts not listed remain the same as the current probe.

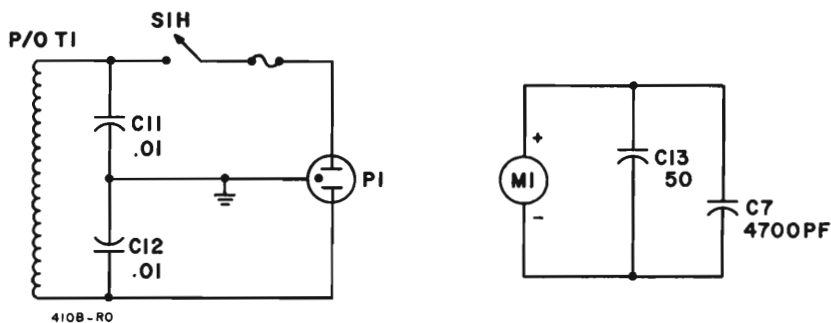
Designator	Description	-hp- Part No.
7A	Spring tip for 2-01C diode	410B-21N
8A	Diode, AC Probe, including spring tip	1920-0008
10	Cap	42A-25G-1
12	Rubber washer 5/16 I.D. x 5/16 L.	0890-0011
13	Flat washer, brass 5/16 I.D. x 7/16 O.D.	3050-0022
14	Clamp nut	5020-0621
16	Coaxial Cable for AC Probe	8120-0006

Change #4

Delete R53 located in parallel with R19B.
(R53 may be added to make adjustment of R19B less sensitive)

Change #5

Add: R24 -hp- Part No. 0690-1061 connected in series with R23 -hp- Part No. 0689-2755 (R24, 10 megohms, +R23, 2.7 megohms, replaces R23, 13 megohms).
Add: R53 Resistor fixed 2200 ohms -hp- Part No. 0690-2211, shunting R19B.
Change: C10 to 1 μ f 600 v -hp- Part No. 0160-0079
Change: R32, R35, R39 and R40 to Resistor, var, ww, 500 ohms -hp- Part No. 2100-0054.
Change: R31 to Resistor, var, 1000 ohms, -hp- Part No. 2100-0004.
Add: C11, C12 Cap. fxd, paper, .01 μ f -hp- Part No. 0160-0023.
C13 Cap. fxd, 50 μ f -hp- Part No. 0180-0029. (See partial schematic below for location).



Change: C7 to Cap. fxd. 4700 pf 500v -hp- Part No. 0140-0017.
C8 to Cap. fxd. 470 pf 500v -hp- Part No. 0140-0027.

Change #6

Change: R21 and R22 from 500 K to 470 K, -hp- Part No. 0686-4745.




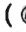
MANUAL CHANGES

MODEL 410B

HIGH FREQUENCY VACUUM TUBE VOLTMETER

Serials Prefixed: 024-
Manual Printed: 12-60

The following changes adapt this manual to instruments having the serial prefixes listed below:
(Ch. # = Change Number; Ser. Pre. = Serial Prefix)

Ch. #	Ser. Pre.	New Data
1	024-	<p>Table of Replaceable Parts, under MISCELLANEOUS, Fuseholder: Change  Stock No. to read <u>1400-0084</u></p> <p>Paragraph 4-2 (Replacing V1), Step 4, Add the following: "If EA53 probe diode is used, adjust R50 to obtain 6.3 volts rms."</p> <p>Two different types of probe diode tubes are available for V1: the 2-01C ( Stock No. 1920-0008) manufactured by Eitel-McCullough, Inc., and the EA53 ( Stock No. 1920-0010) manufactured by Amperex Electronic Co. These tubes are interchangeable; however, each type requires a different plate contact and attaching spring, and a different heater voltage. The proper plate contact and spring are supplied with each replacement diode ( Stock No. 410B-21P for the EA53; 410B-21N for the 2-01C). The proper voltage for the 2-01C is 5 volts rms; for the EA53, 6.3 volts rms. When the type of diode is changed, minor adjustment of R50 may be required to obtain exact heater voltage.</p>

hp MANUAL CHANGES

MODEL 410B

VACUUM TUBE VOLTMETER

Manual Serial Prefixed: 024-

-hp- Part No. 410B-902

► New or Revised Item

Instrument Serial Number	Make Manual Changes	Instrument Serial Number	Make Manual Changes
982-49583 and up	1		
987-49783 and up	1, 2		

CHANGE 1

Page 5-2, Reference Designation Index and Page 5-7, Replaceable Parts:
Change -hp- Part No. of Power Cord to 8120-1348.

Page 5-3, Reference Designation Index:

Add the following to Miscellaneous Parts:

-hp- Part No.	Description
1251-2357	Connector: ac power
3101-1234	Switch: slide 115/230
00410-00101	Chassis
00410-04101	Dust cover, 410BR (rack model only)
00410-64401	Cabinet assembly (cabinet model only)

Page 5-2, Reference Designation Index:
Under F1, add -hp- Part No. 2110-0201 to fuse for 230 V operation.

Page 5-6, Replaceable Parts:
Change -hp- Part No. 2110-0018 to 2110-0201.

The above changes were made to conform to new I.E.C. standards (No. 66).

CHANGE 2

► Page 5-3, Reference Designation Index and Page 5-6, Replaceable Parts:
Change -hp- Part No. of Pilot Lamp Jewel from 1450-0003 to 1450-0410.

This change was made to conform to new I.E.C. standards (No. 66).

