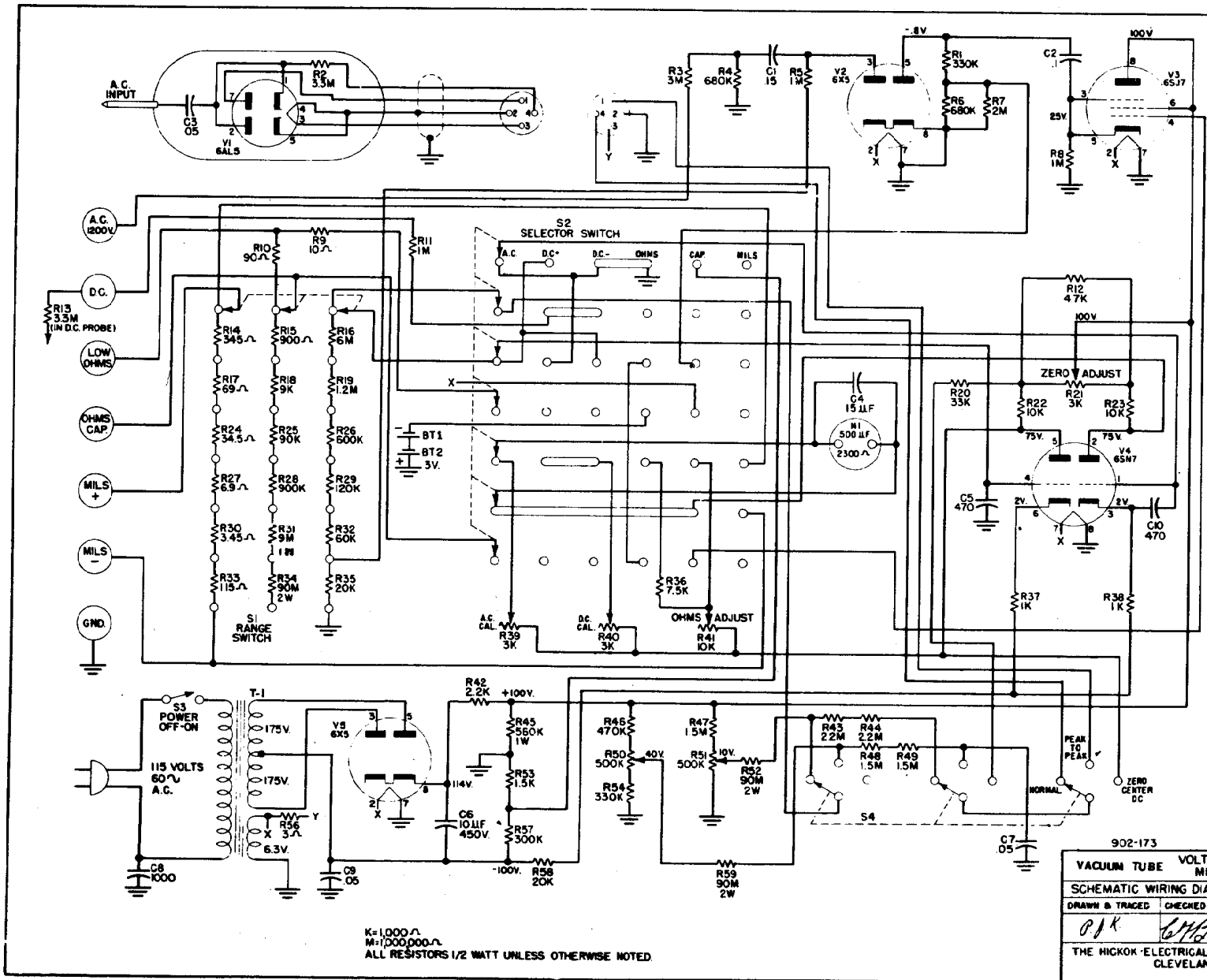


ALT. DRAWING NUMBER
B 649W-1



K=1,000 Ω.
M=10,000,000 Ω.
ALL RESISTORS 1/2 WATT UNLESS OTHERWISE NOTED.

DRAWING NUMBER
902-173
649W-1

VACUUM TUBE		VOLT-OHM-CAPACITY-	
		MILLIAMMETER	
SCHEMATIC WIRING DIAGRAM MODEL 209A			
DRAWN & TRACED	CHECKED	APP'D	DATE
<i>PK</i>	<i>CHB</i>	<i>NAW</i>	4-28-1949
THE HICKOK ELECTRICAL INSTRUMENT COMPANY CLEVELAND, OHIO			

FIGURE 7.1 SCHEMATIC, MODEL 209A