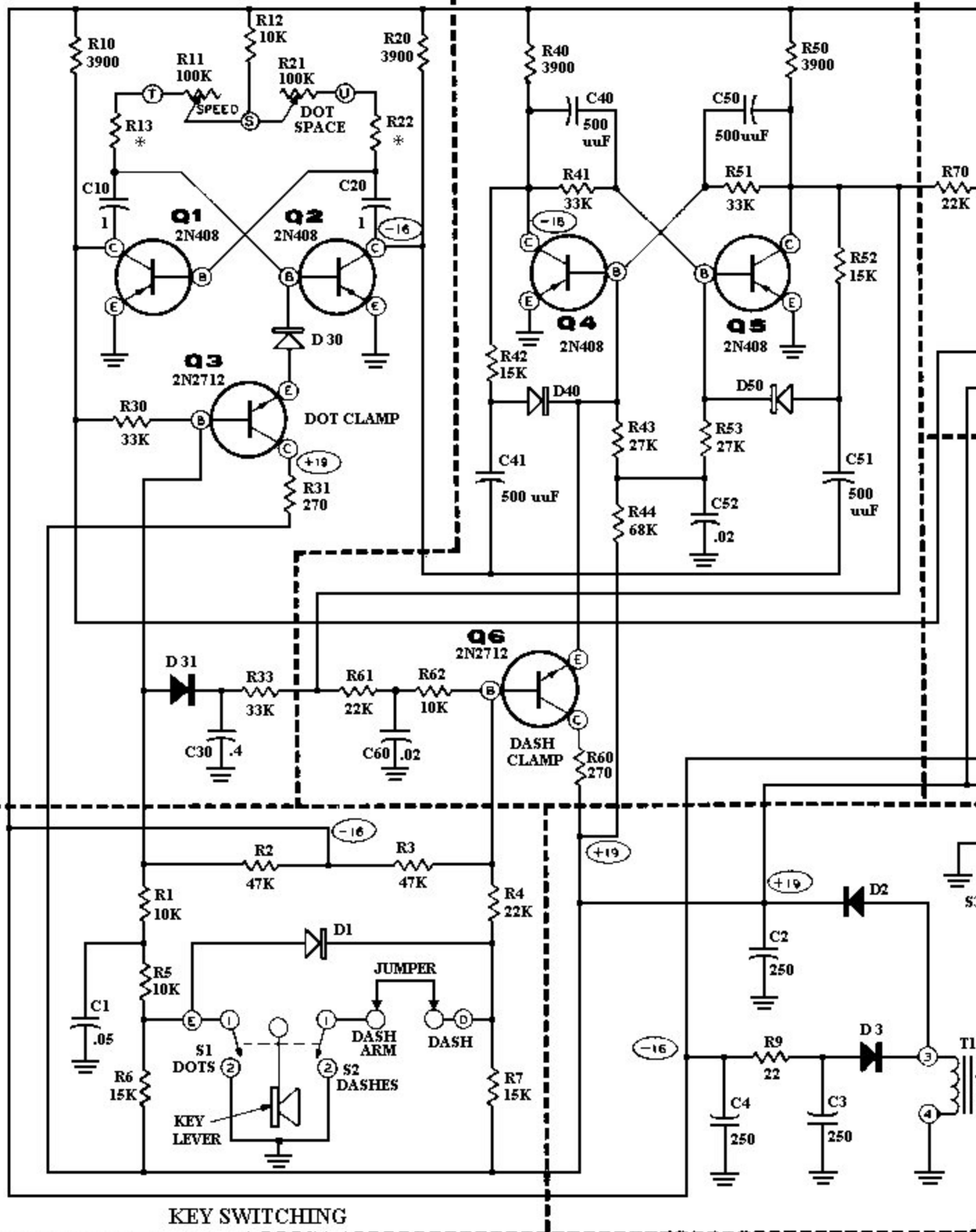


- NOTES**
1. ALL RESISTORS ARE 1/2 WATT.
 2. ALL RESISTOR VALUES ARE IN OHMS (K = 1000).
 3. ALL CAPACITORS ARE IN μ F UNLESS MARKED OTHERWISE.
 4. \odot INDICATES VOLTAGE READINGS.
 5. ALL VOLTAGES MEASURED WITH KEY LEVER IN NEUTRAL POSITION AND WITH 117 VAC SUPPLY VOLTAGE.
 6. ALL VOLTAGES ARE DC UNLESS MARKED OTHERWISE.
 7. ALL VOLTAGES ARE MEASURED FROM POINT SHOWN TO OUTSIDE GROUND FOIL OF CIRCUIT BOARD.
 8. VOLTAGE READINGS TAKEN WITH 11 MEGOHM INPUT VTVM.
 9. DOTTED TERMINALS DUPLICATE SOLID TERMINALS AS SHOWN.
 10. *10 K Ω FOR 15 TO 60 WORDS PER MINUTE SPEED.
68 K Ω FOR 10 TO 20 WORDS PER MINUTE SPEED.

SCHEMATIC OF THE HEATHKIT® ELECTRONIC KEYSER MODEL HD-10

DOT GENERATOR MULTIVIBRATOR

FLIP-FLOP MULTIVIBRATOR



KEY SWITCHING

