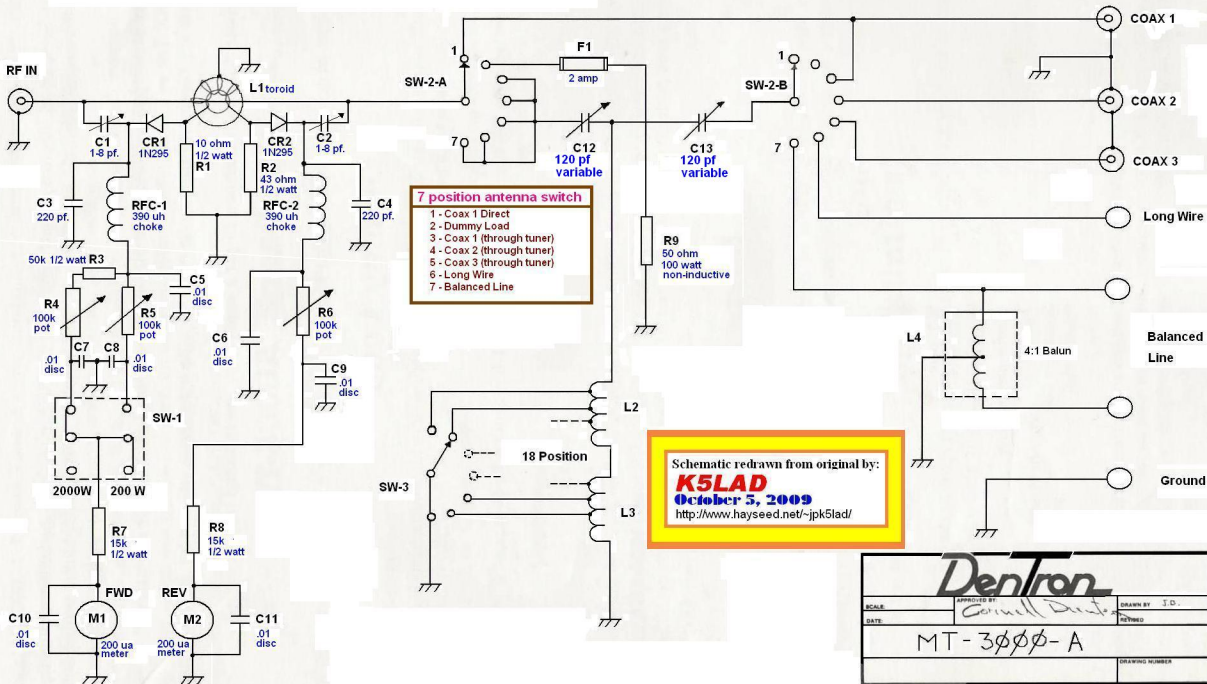


Dentron MT-3000A Antenna Tuner  
schematic with available values



<b>Dentron</b>	
APPROVED BY <i>Conrad Denton</i>	DRAWN BY J.D.
DATE	REVISION
MT-3000-A	
DRAWING NUMBER	