

---

## MFJ ARTIFICIAL GROUND

---

**IMPORTANT: Please read entire manual before attempting to operate this equipment. This unit does not provide a DC electric ground. A separate wire will need to be run from the transmitter to an electric ground if it is not already available.**

---

Thank you for purchasing the MFJ-931 ARTIFICIAL GROUND. The MFJ-931 creates an artificial ground with a random length of wire thrown on the floor. This produces a tuned counterpoise. Also, the MFJ-931 will electrically place a far away RF ground directly at our rig.

### INSTALLATION AND OPERATION

#### Creating Artificial Ground

Connect your transmitter or antenna tuner to the binding post labeled "To Transmitter or Antenna Tuner Chassis Ground" on the back of the MFJ-931.

Note: This wire needs to be as short as possible, preferably with the ground posts as close as possible i.e., the units side by side or one on top of the other.

Attach the length of random wire to the red binding post labeled "To Counterpoise Wire or Ground Connection Wire" on back of the MFJ-931. **Be sure not to reverse these wires.** The random wire should be a quarter-wave length or less at the operating frequency. Be sure to throw the random wire along the floor and to tape up the open end of the wire to avoid RF burn.

To obtain maximum RF ground current for a low impedance RF ground, alternately adjust the two controls on the front panel labeled "INDUCTANCE" and "CAPACITANCE". Turn the

**DANGER: Touching the wire while keying can cause RF burn and is potentially fatal. Watch out for children and pets.**

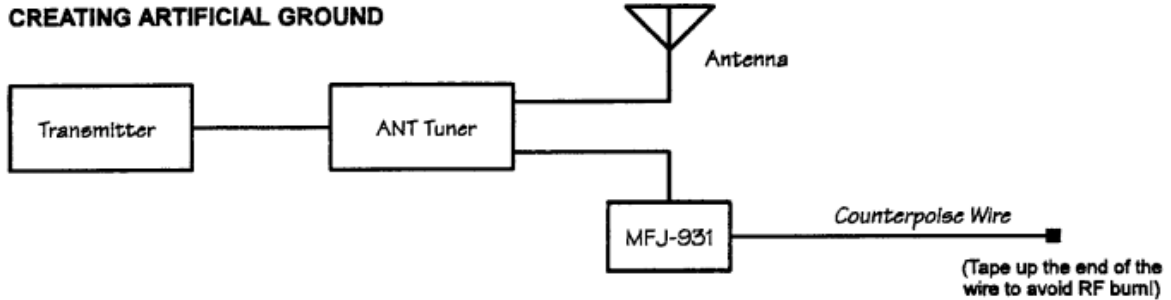
INDUCTANCE control first until the highest amount of current can be registered on the built-in AMMETER. Then adjust the CAPACITANCE control to increase the amount of RF current. Try several inductance setting for best results. What if the needle goes off the scale or doesn't move at all? Then the sensitivity of the Ammeter needs to be adjusted. Turn the SENSITIVITY control until the needle is in the middle of the scale. Then readjust the INDUCTANCE control for the highest amount of RF current and use the CAPACITANCE control to achieve maximum RF current. If the needle is still off scale or zero, readjust the SENSITIVITY control and repeat the tuning process

until maximum RF current is achieved. After maximum RF current is reached, retune your antenna tuner for minimum SWR. You may need to retune both the MFJ-931 and your antenna tuner several times to achieve best results.

**Electrically Placing Your Far Away RF Ground at Your Radio**

Connect your transmitter or antenna tuner to the binding post labeled "To Transmitter or

**CREATING ARTIFICIAL GROUND**



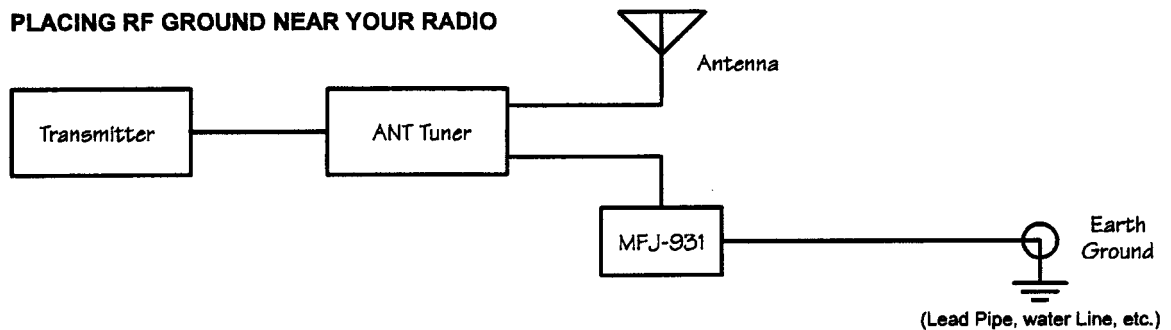
Antenna Tuner Chassis Ground" on the back of the MFJ-931 with the shortest possible wire(s). If necessary, place the MFJ-931 and your transmitter or antenna tuner side by side or one on top of the other to insure the ground of each are as close to each other as possible. Connect your existing ground wire to the red binding post labeled "To Counterpoise Wire or Ground Connection Wire" on the back of the MFJ-931. **Do not reverse these wires.** After making these connections, follow the same procedure for

maximizing RF ground current as described in the Creating Artificial Ground section.

After maximum RF current is reached, retune your antenna tuner for minimum SWR. You may need to retune both your antenna tuner and the MFJ-931 several times to achieve best results.

**WARNING: This unit does not provide a DC electric ground. A separate wire will need to be run from the transmitter to an electric ground if it is not already available.**

**PLACING RF GROUND NEAR YOUR RADIO**



#### **Failure to Obtain a Ground Reading**

If a ground current reading cannot be obtained at full transmitting power, the counterpoise or ground may not generate sufficient current at the operating frequency. If no RFI problems exist, set the CAPACITANCE control to zero, and the INDUCTANCE control to "A" and operate. If you experience RF in the shack or other problems, alter the counterpoise or add a different length of wire. The wire for a counterpoise should be a quarter wavelength at the lowest frequency used. Additional short lengths may be placed for other bands if needed. More radials will give a stronger current reading.

You should be aware of typical antenna current behavior at different wavelengths. An antenna which is a half wavelength will not show any ground current at exactly the resonant frequency. An antenna which is a quarter wavelength at the resonant frequency will show maximum ground current. The amount of current through the ground wire depends entirely on the antenna system. The odd wavelengths give maximum current reading, and the even wavelengths are minimum or zero. Zero current draw shows a zero meter reading. This does not mean that the meter is not working. Try the same antenna on at least an eighth of a wavelength difference in frequency, which should show some ground current.

In the case of a halfwave antenna, the meter is not usable for measuring ground current, so it is very difficult to tune the artificial ground. You may use a field strength meter, such as the MFJ-812B, to tune the ground for maximum radiated signal. This also means that the receiving station S-units will go to maximum for this antenna system. You would also use the field strength meter when tuning a counterpoise system.

Using the artificial ground to tune the ground may not be obvious if you are a new user. You must visualize and account for all sources of ground current. If the artificial ground is connected into the ground lead of the transmitter, and a ground wire is also connected to the ground lead of the amplifier or tuner, then the artificial ground is effectively shorted out, and no ground current will show on the meter. You must install the MFJ-931 in series with the ground system.

**Visual tool:** A station is positioned a mile higher than the ground rod. A ground wire runs from the ground rod to the station. The ground wire will show very high resistance and radiation instead of conducting current to the ground rod. The MFJ-931 tunes the wire for low resistance at the antenna system resonant frequency so that the antenna system may develop maximum current. This in turn provides maximum radiated power from the antenna system. Without the MFJ-931, the wire makes a better antenna than a ground wire.

### **Using a Counterpoise**

If you are unable to connect the station to any type of ground wire, then you may still use the counterpoise to increase your signal. As more and more wire is installed underneath an antenna, the signal strength will increase. This will continue until a maximum occurs. Only one wire installed along the floor is enough to make a very noticeable improvement in signal strength. The counterpoise reflects radiated energy, which would normally be absorbed by the ground as heat, back above the ground plane. This redirection of energy combines with the primary radiated signal as usable field strength. Received energy bounces off of the counterpoise into the antenna along the reverse path.

**Visual tool:** A lighted candle on a table in a dark room emits a given amount of energy in all directions. Light which reaches the walls will have a given brightness. You could say that this would be signal strength. Energy is broadcast in all directions around the candle, up and down. If a mirror is inserted underneath the candle, energy previously absorbed by the table (ground) is radiated upward. The result is that the amount of light on the walls increases. The transmitted energy is not changed, simply redirected. The amount of signal increase will depend on the area of reflection. Beyond a certain area, no further increase will be noticed. A sliver of mirror placed on only one side of the candle would give an increase only in that direction. A ground plane underneath a HT rubber ducky will tremendously increase radiated field strength from the radio.

### **Radio Frequency Interference**

In many cases, providing an adequate ground to the antenna system will reduce or stop unwanted radiation outside the operating frequency. Harmonics can be directed to ground, or simply become part of the main radiated energy. This gives the appearance of a cleaner signal on the air.

RFI can also increase by use of a grounded antenna system. A common belief, which is not true, is that an artificial ground will remove all RFI from the station. RFI suppression is a side effect of a clean signal, not a universal solution.

The most common type of RFI is commonly called front-end overload. This results whenever a semiconductor junction comes into contact with an AC (RF) signal and rectifies it. Any diode, transistor, or IC can rectify RF and mix it internally with any other signal present. More signal present raises the level of mixing in the semiconductor junction. The higher signal present can be a result of the increased field strength of the antenna. The only way to remove this type of RFI is by shielding and filtering of the received RF in the receiving device. Grounding of the receiving device case can help. If the case is non-metallic, then RF energy is free to invade the internal circuitry. Any wires attached to the device may act as antennas. Installing an RF suppression kit, such as the MFJ-701, can greatly reduce the interference traveling up these lines.

Installing a ground in the wrong fashion, such as mistuning and bad connections, can also generate additional RFI. Harmonics and loss of signal strength can be the result. Energy outside the band may become great enough to radiate into the commercial radio and TV bands. Installing a low pass filter, such as the MFJ-704, will provide additional suppression of the out-of-band signal.

### **TECHNICAL ASSISTANCE**

If you have any problem with this unit first check the appropriate section of this manual. If the manual does not reference your problem or your problem is not solved by reading the manual, you may call *MFJ Technical Service* at **662-323-0549** or the *MFJ Factory* at **662-323-5869**. You will be best helped if you have your unit, manual and all information on your station handy so you can answer any questions the technicians may ask.

You can also send questions by mail to MFJ Enterprises, Inc., 300 Industrial Park Road, Starkville, MS 39759; by Facsimile (FAX) to 662-323-6551; or by email to [techinfo@mfjenterprises.com](mailto:techinfo@mfjenterprises.com). Send a complete description of your problem, an explanation of exactly how you are using your unit, and a complete description of your station.