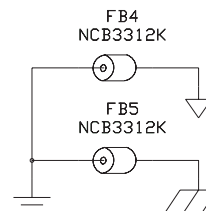
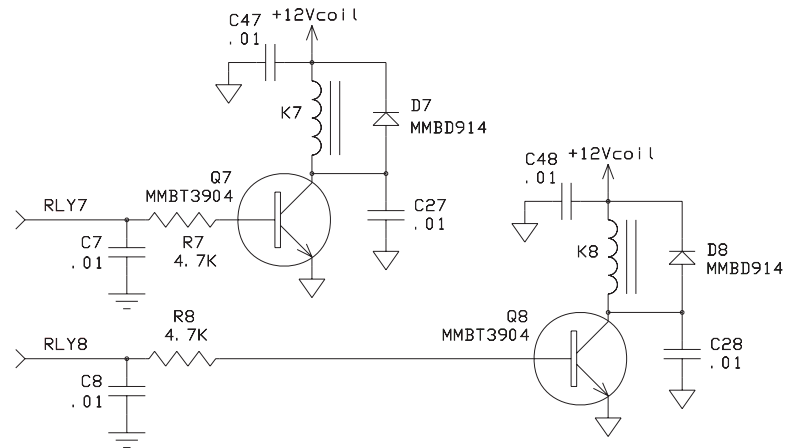
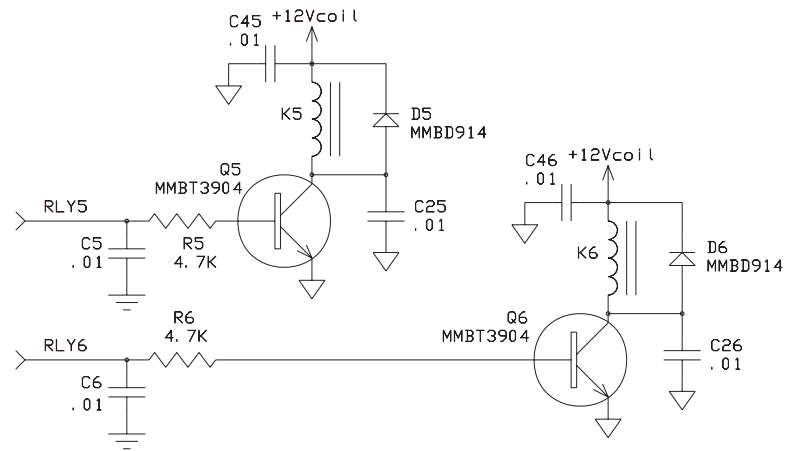
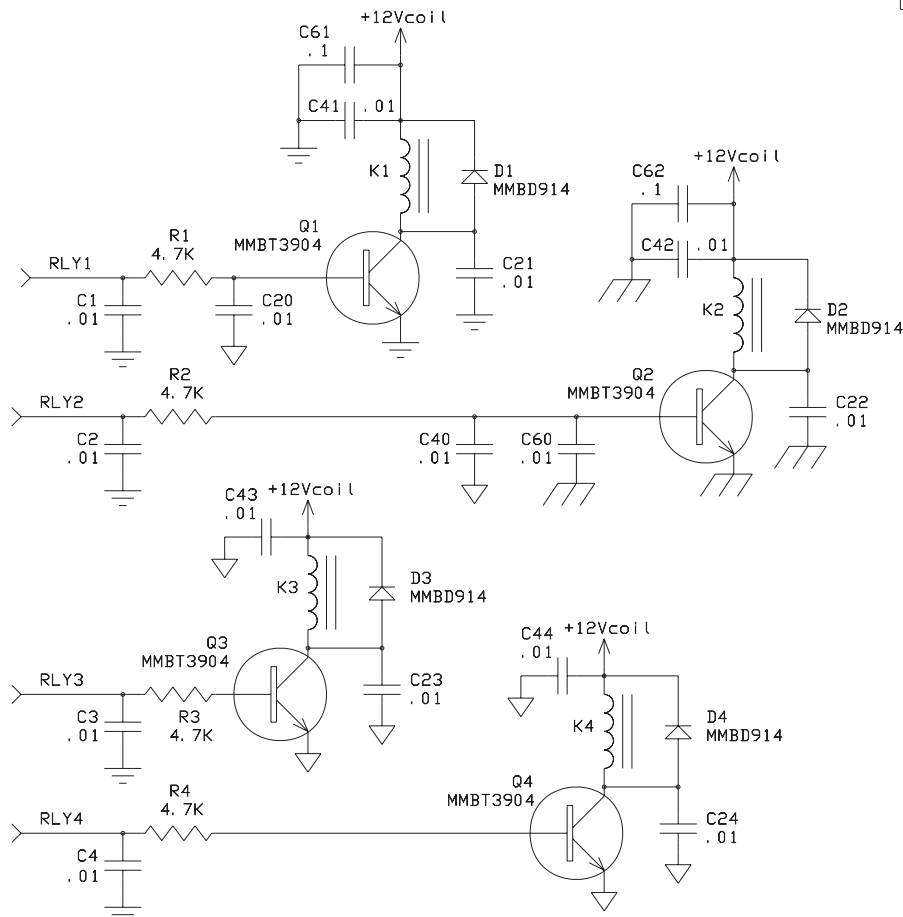
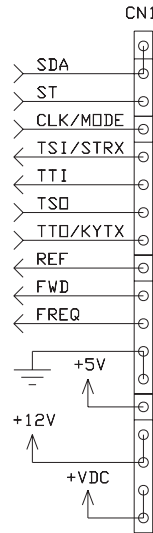
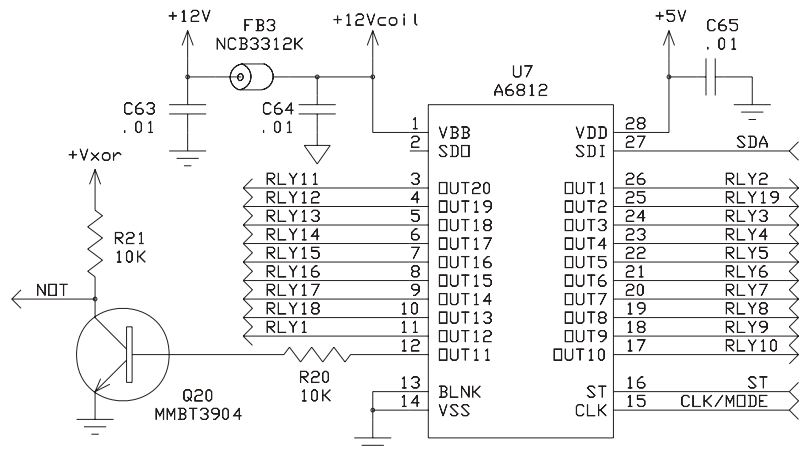


RESISTANCE VALUES ARE IN OHMS  
 CAPACITANCE VALUES ARE IN MICROFARADS  
 UNLESS OTHERWISE SPECIFIED

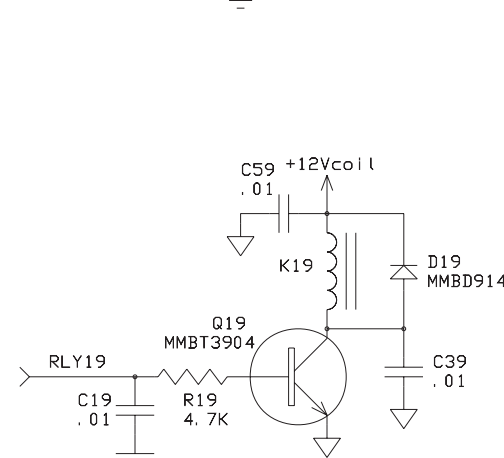
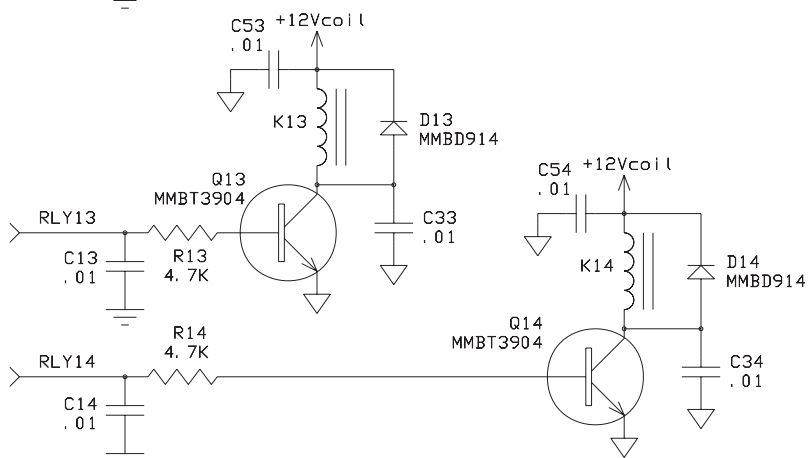
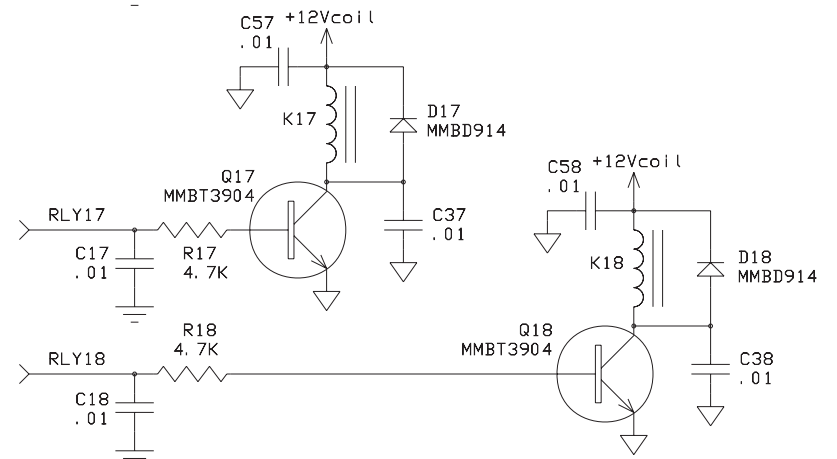
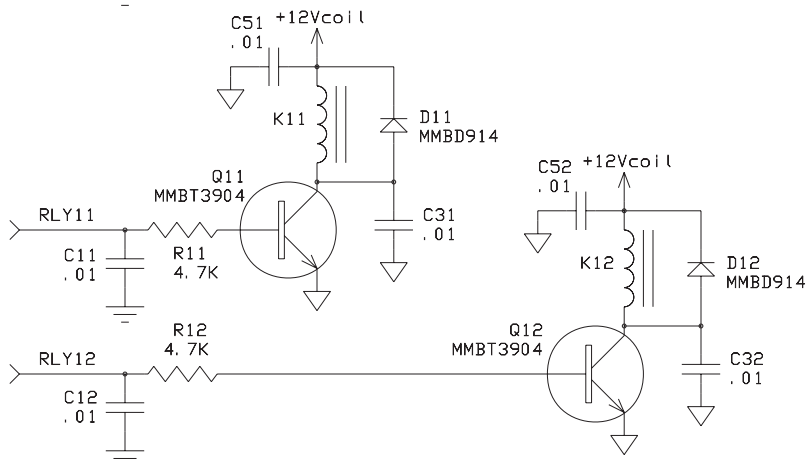
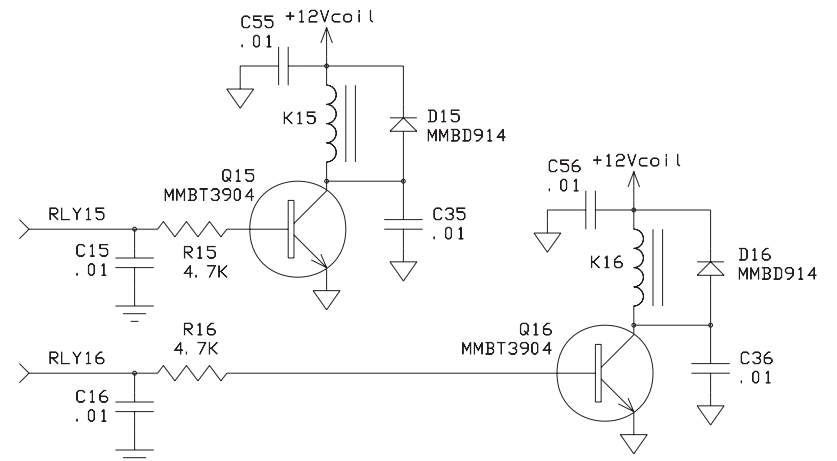
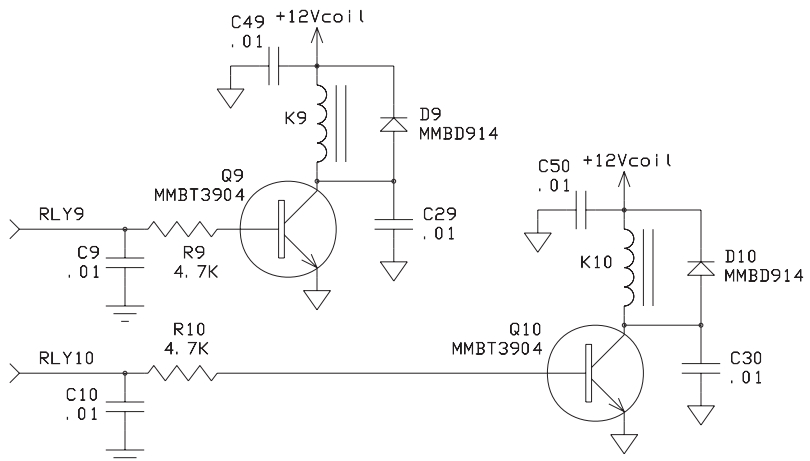
MODEL NO.	REVISION	PCB P/N	SHEET 2 OF 5
MFJ-927/928/929	0	862-0929	
DESCRIPTION			
AUTOMATIC ANTENNA TUNER BRIDGE, L-NETWORK, FREQ CNTR, INTERFACE			
DATE	PC BOARD	MFJ ENTERPRISES, INC.	
05/31/05	M929_A	300 INDUSTRIAL PARK RD	
ENGINEER	DRAWN BY	STARKVILLE, MS 39759	
H. WONG	H. WONG		

- \* ALL RELAYS ARE SONGLE SRSB-12VDC-SL-C.
- \* L6 & L9 ARE 14AWG AIR COILS; TOROIDS L3,L4,L5,L7,L8 & L10 ARE T94-2 AND T106-2, 18AWG.
- \* ALL L-NETWORK CAPACITORS ARE RATED 500V.
- \* SET FWD & REF TRIMPOTS FOR 2.722V AT TP WITH 100W INPUT INTO 50 OHM LOAD.



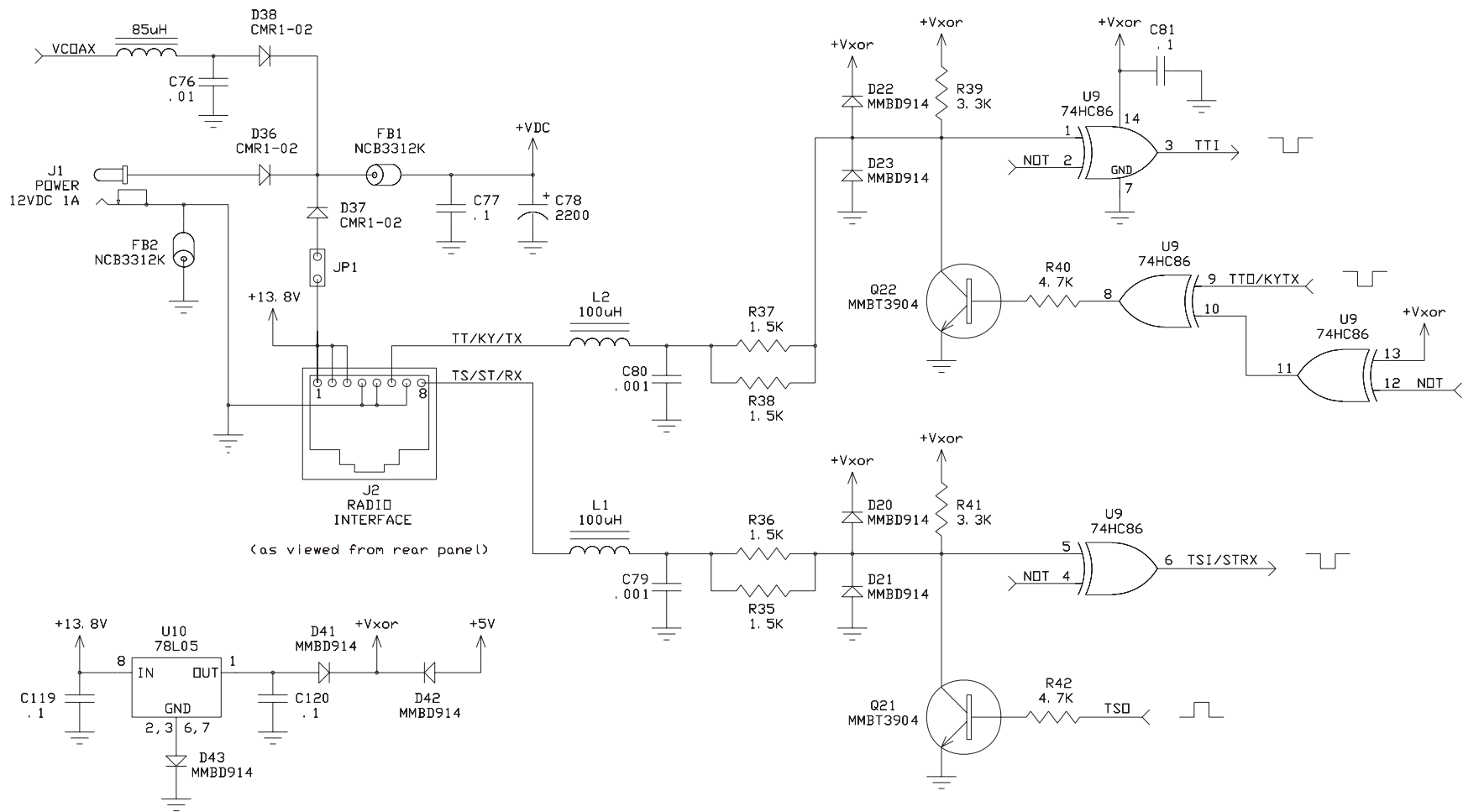
RESISTANCE VALUES ARE IN OHMS  
CAPACITANCE VALUES ARE IN MICROFARADS  
UNLESS OTHERWISE SPECIFIED

MODEL NO. MFJ-927/928/929	REVISION 0	PCB P/N 862-0929	SHEET 3 OF 5
DESCRIPTION <b>AUTOMATIC ANTENNA TUNER</b> LATCH, RELAY COILS & DRIVERS			
DATE 05/12/05	PC BOARD M929_A	MFJ ENTERPRISES, INC. 300 INDUSTRIAL PARK RD STARKVILLE, MS 39759	
ENGINEER H. WONG	DRAWN BY H. WONG		



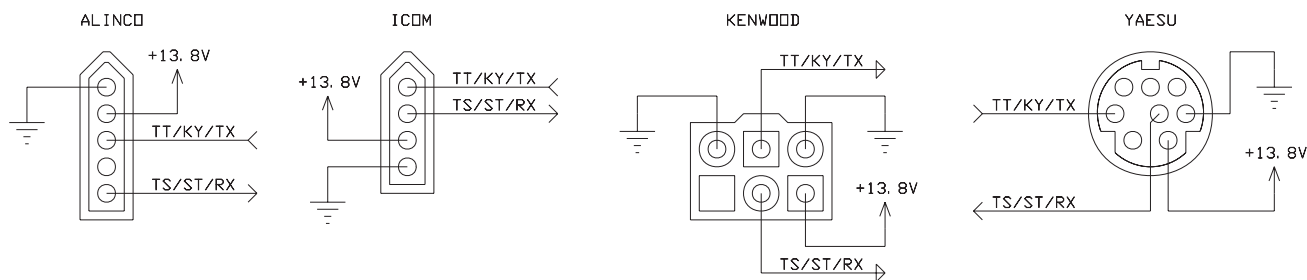
RESISTANCE VALUES ARE IN OHMS  
CAPACITANCE VALUES ARE IN MICROFARADS  
UNLESS OTHERWISE SPECIFIED

MODEL NO. MFJ-990/992	REVISION 0	PCB P/N 862-0992	SHEET 4 OF 5
DESCRIPTION AUTOMATIC ANTENNA TUNER RELAY COILS & DRIVERS			
DATE 04/16/05	PC BOARD M992_0	MFJ ENTERPRISES, INC. 300 INDUSTRIAL PARK RD STARKVILLE, MS 39759	
ENGINEER H. WONG	DRAWN BY H. WONG		



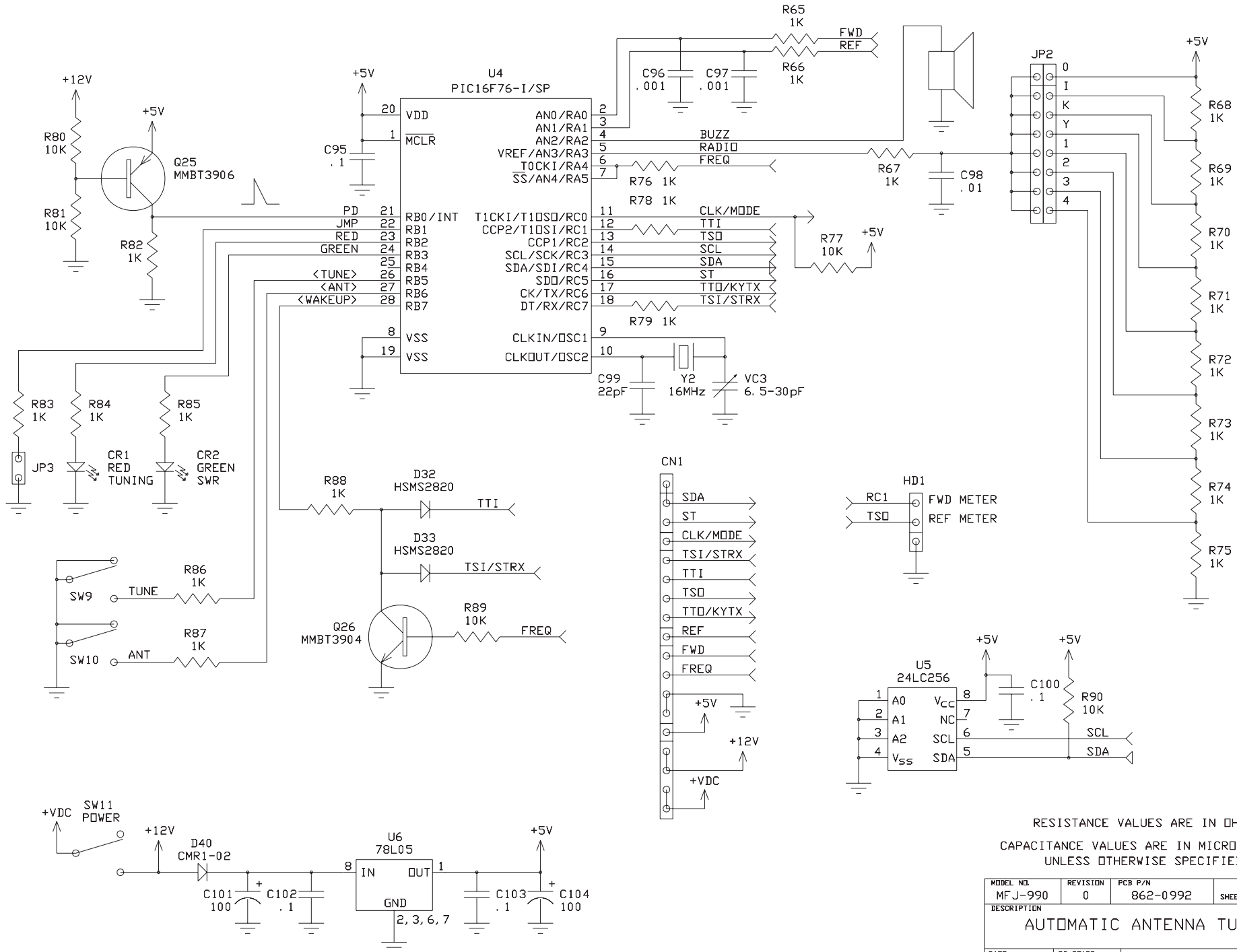
(as viewed from rear panel)

(as viewed from rear panel of radio)



RESISTANCE VALUES ARE IN OHMS  
CAPACITANCE VALUES ARE IN MICROFARADS  
UNLESS OTHERWISE SPECIFIED

MODEL NO. MFJ-927/928/929	REVISION 0	PCB P/N 862-0929	SHEET OF
DESCRIPTION <b>AUTOMATIC ANTENNA TUNER RADIO INTERACE &amp; POWER</b>			
DATE 05/12/05	PC BOARD M929_A	MFJ ENTERPRISES, INC. 300 INDUSTRIAL PARK RD STARKVILLE, MS 39759	
ENGINEER H. WONG	DRAWN BY H. WONG		



RESISTANCE VALUES ARE IN OHMS  
 CAPACITANCE VALUES ARE IN MICROFARADS  
 UNLESS OTHERWISE SPECIFIED

MODEL NO. MFJ-990	REVISION 0	PCB P/N 862-0992	SHEET OF OF
DESCRIPTION AUTOMATIC ANTENNA TUNER			
DATE 04/16/05	PC BOARD M992_0	MFJ ENTERPRISES, INC. 300 INDUSTRIAL PARK RD STARKVILLE, MS 39759	
ENGINEER H. WONG	DRAWN BY H. WONG		